

4

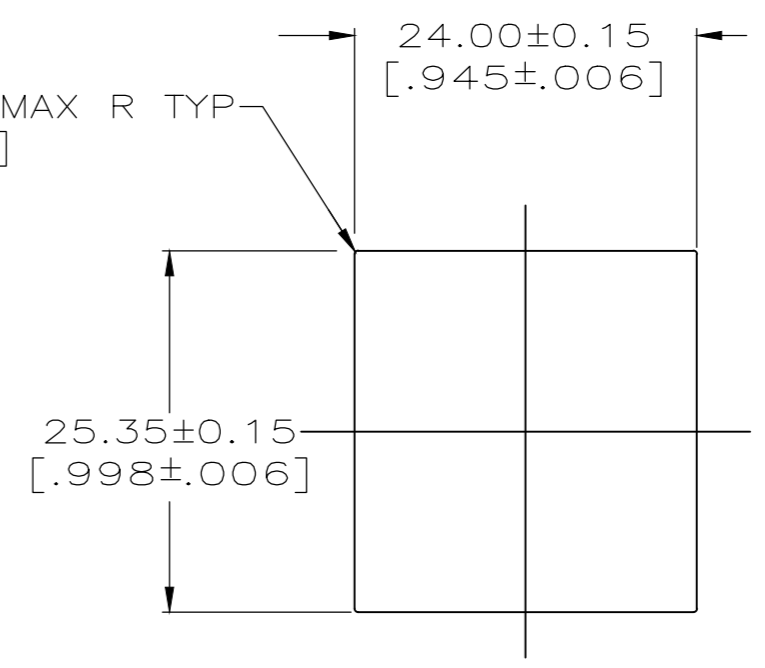
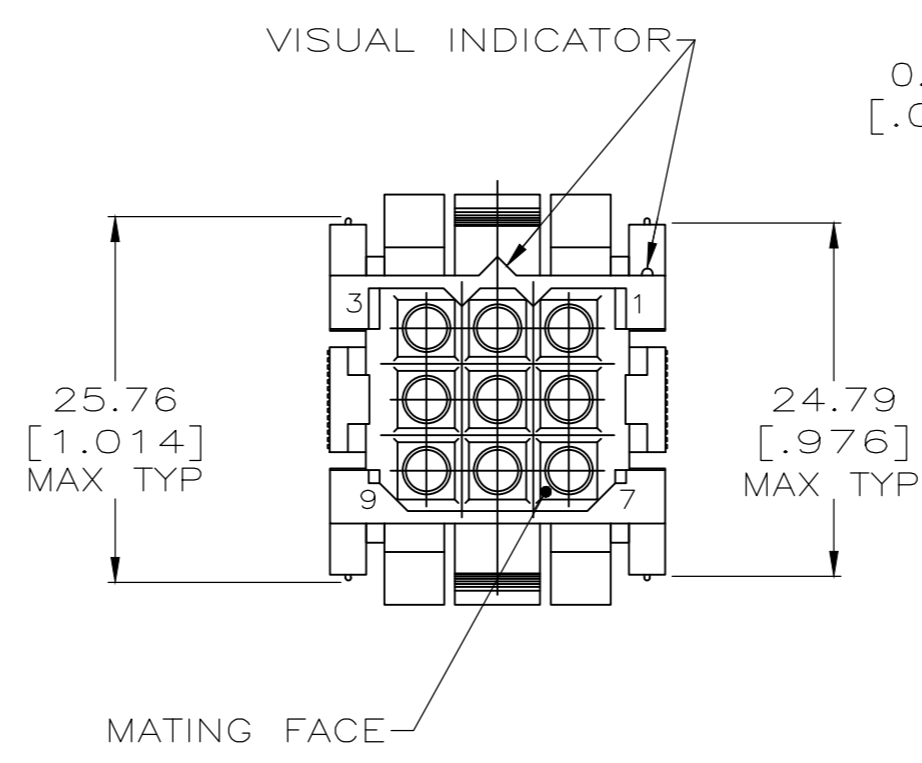
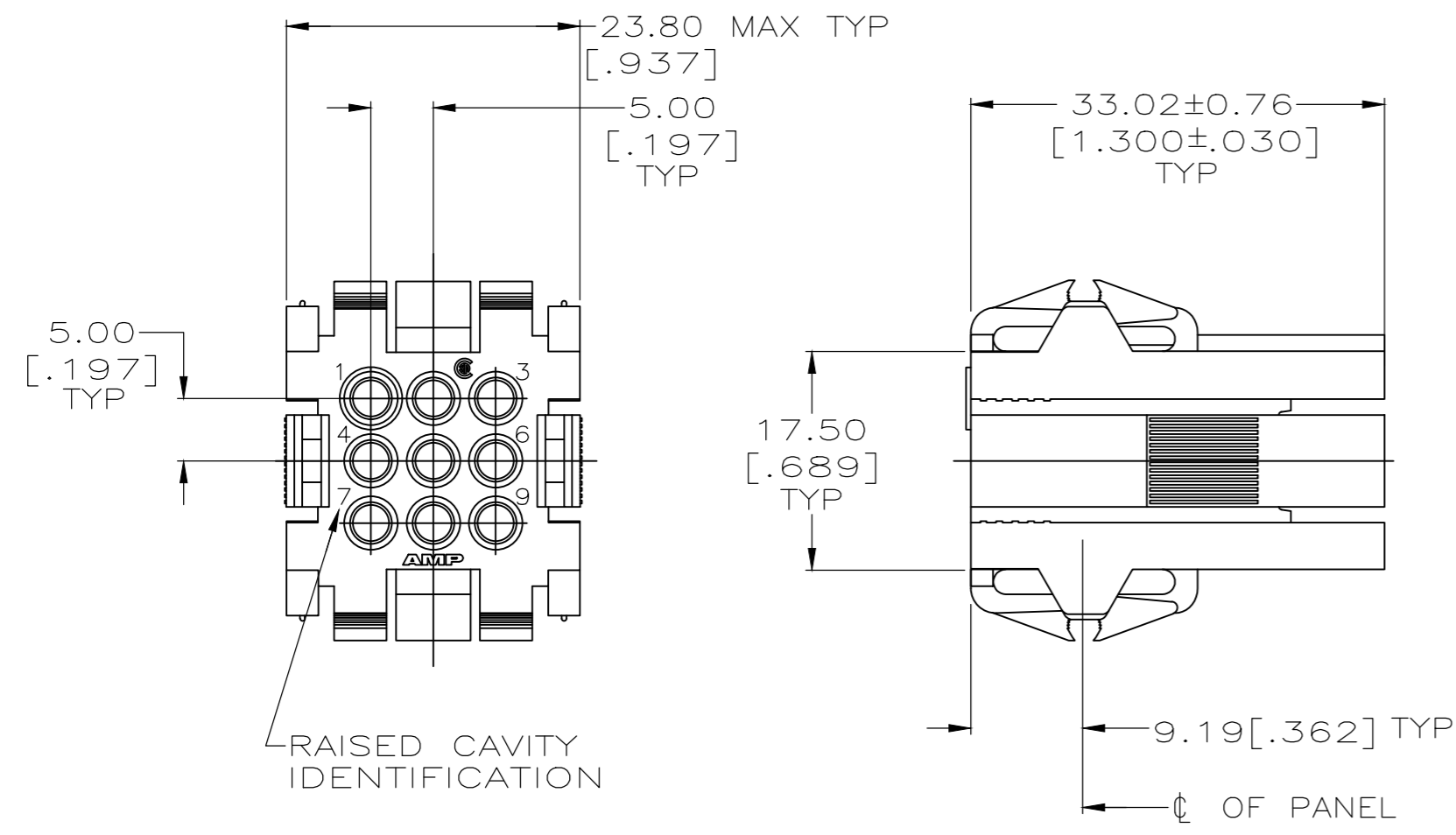
3

2

1

THIS DRAWING IS UNPUBLISHED. RELEASED FOR PUBLICATION
 © COPYRIGHT - TE Connectivity Ltd. ALL RIGHTS RESERVED.

REVISIONS				
P	LTR	DESCRIPTION	DATE	APVD
F		REV PER EC 0020-250-94	03/24/94	AT
G		REVISED PER ECO-20-002227	20FEB2020	RK MZ



PANEL CUTOUT

- 1. PANEL RETENTION MECHANISM ACCOMMODATES PANEL THICKNESSES FROM 0.76[.030] TO 2.29[.090].
- 2 HOUSING MATERIAL: PA66, BLACK, UL 94 V-0 RATED.

207440-1
 PART NUMBER

THIS DRAWING IS A CONTROLLED DOCUMENT.		DWN W.LENKER 08/26/92	TE Connectivity NAME HOUSING, RECEPTACLE, 9 POSITION, METRIMATE		
DIMENSIONS: mm [INCHES]		CHK R.STONE 8-31-92			
TOLERANCES UNLESS OTHERWISE SPECIFIED:		APVD A.TRAVIS 9-2-92	PRODUCT SPEC 108-10033		
0 PLC ± - 1 PLC ± - 2 PLC ± 0.25 [.010] 3 PLC ± - 4 PLC ± - ANGLES ± -		APPLICATION SPEC		RESTRICTED TO	
MATERIAL 2		WEIGHT	SIZE A2	CAGE CODE 00779	DRAWING NO C-207440
		CUSTOMER DRAWING		SCALE 2:1	SHEET 1 of 1
				REV G	

207440
 B

A