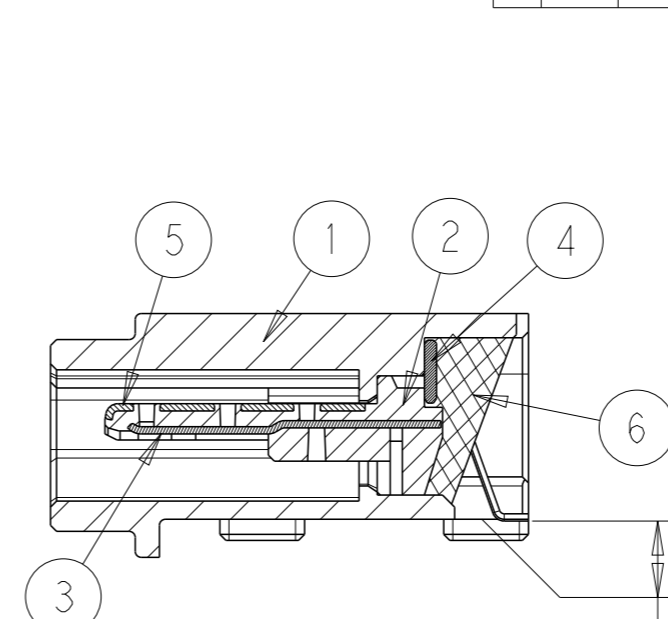
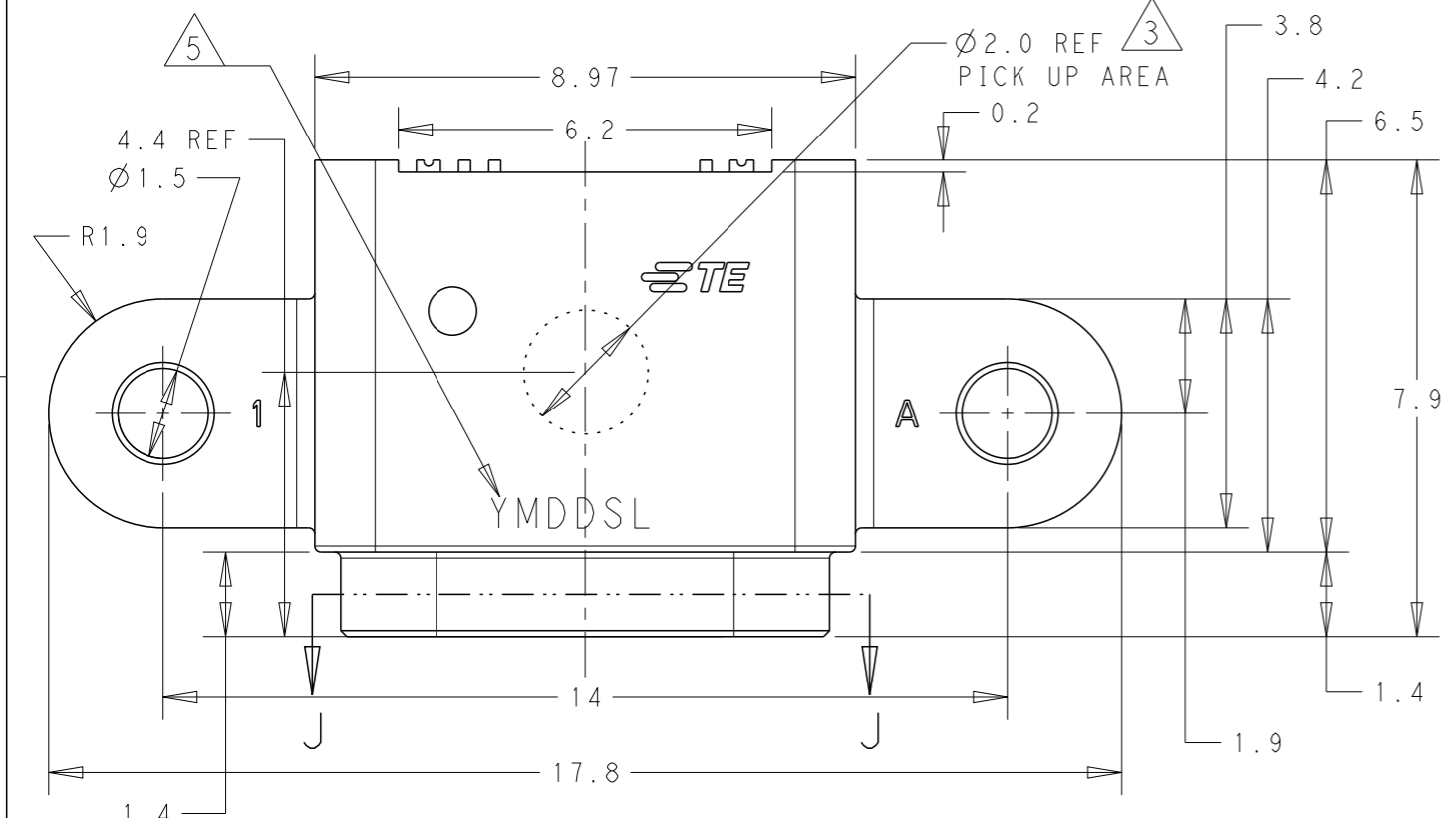
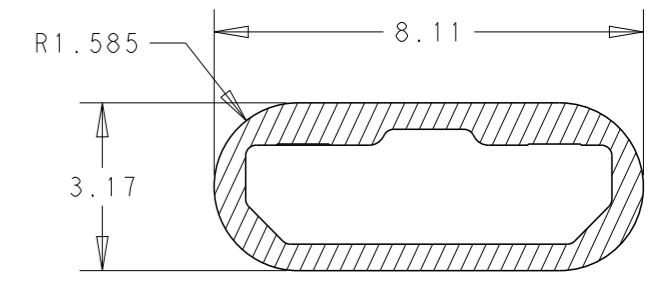
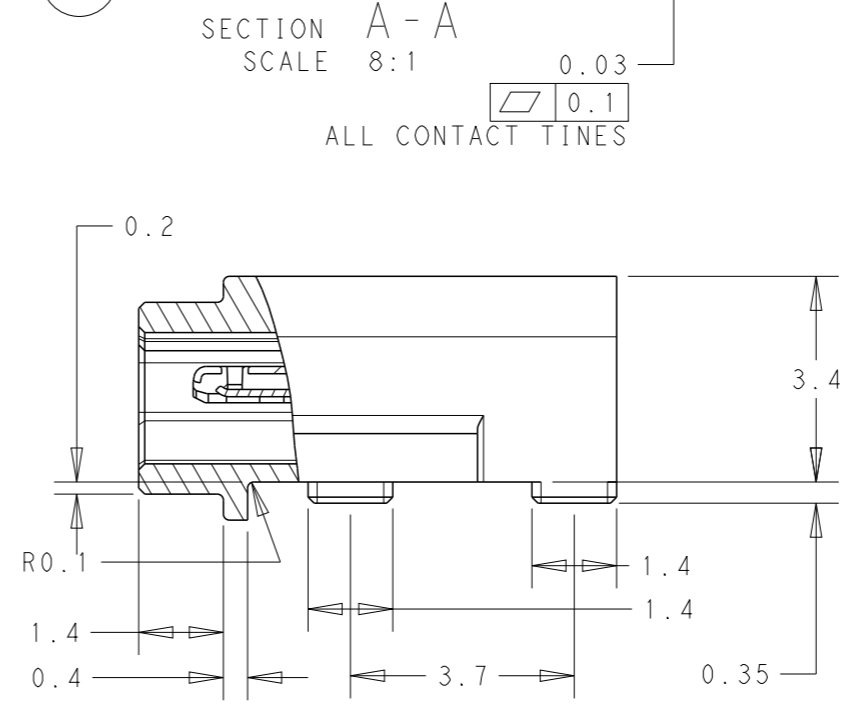
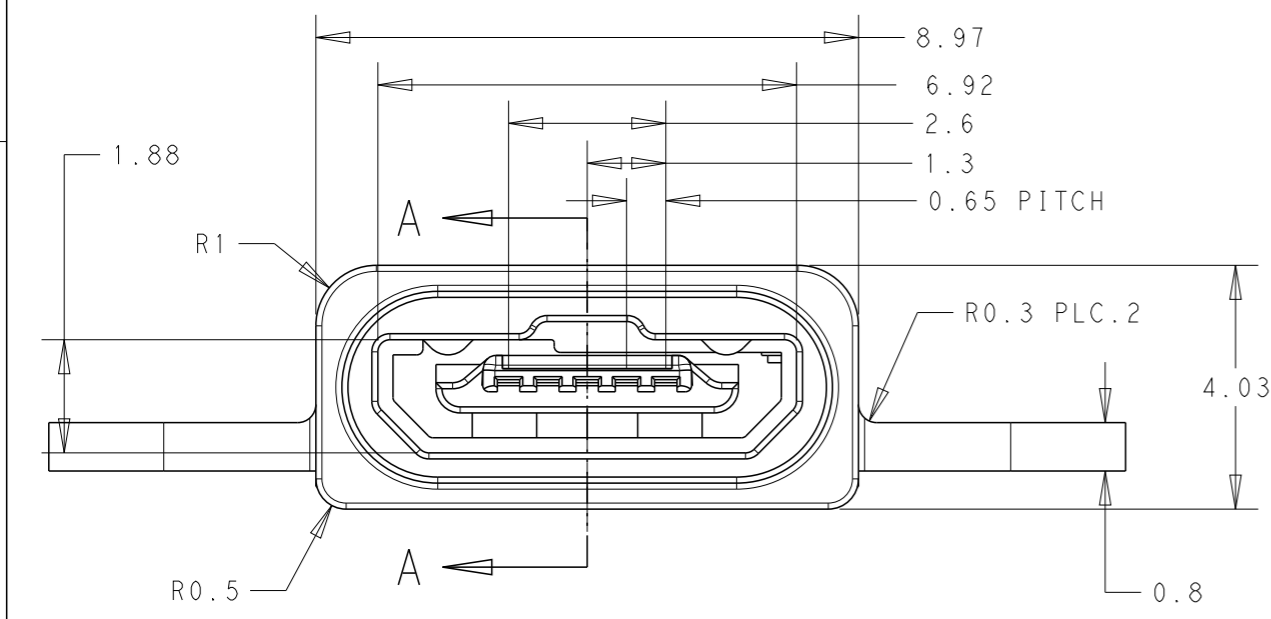


THIS DRAWING IS UNPUBLISHED. RELEASED FOR PUBLICATION 20
 © COPYRIGHT 20 BY - ALL RIGHTS RESERVED.

REVISIONS					
P	LTR	DESCRIPTION	DATE	DWN	APVD
I		RELEASED	15JUL2014	YJ.C	JH.K
A		REVISED	30SEP2014	YJ.C	JH.K
B		REVISED	25NOV2014	YJ.C	JH.K



- 1. MATERIAL : SEE TABLE
- 2. FINISH : SEE TABLE
- 3. PICKING AREA
- 4. COPLANARITY : 0.1mm MAX
- 5. DATE CODE : 6 DIGITS(YMDDSL)
: Y-YEAR, M-MONTH,
DD-DAY, S-SHIFT, L-LINE.
- 6. PACKING QUANTITY : 1,000 PCS/REEL



SHOWN AS : 2108877-1

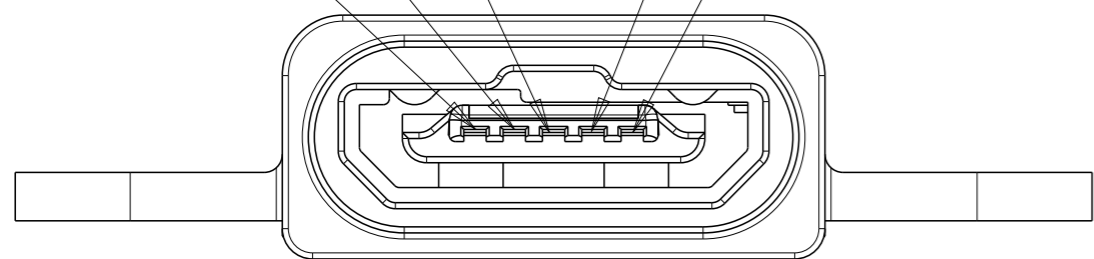
6	POTTING	SILICONE	BLACK
5	REINFORCEMENT	STAINLESS STEEL	DEGREASING
4	HOLD PLATE	STAINLESS STEEL	DEGRESS
3	USB-CONTACT	COPPER ALLOY	Ni 1.0um~5.0um ALL OVER Au 0.05um MIN. + Ni-Pd 0.75um MIN. AT CONTACT AREA Au 0.05um MIN. AT SOLDERING AREA
2	INSERT-MOLD	THERMO PLASTIC	BLACK
1	MIM SHELL	STAINLESS STEEL	Ni 0.2um~5.0um ALL OVER
NO	DESCRIPTION	1 MATERIAL	2 FINISH

DIMENSIONS:		TOLERANCES UNLESS OTHERWISE SPECIFIED:	
mm		±0.2	
		Ø PLC	±
		1 PLC	±
		2 PLC	±
		3 PLC	±
		4 PLC	±
		ANGLES	±5°
MATERIAL		FINISH	
1		2	

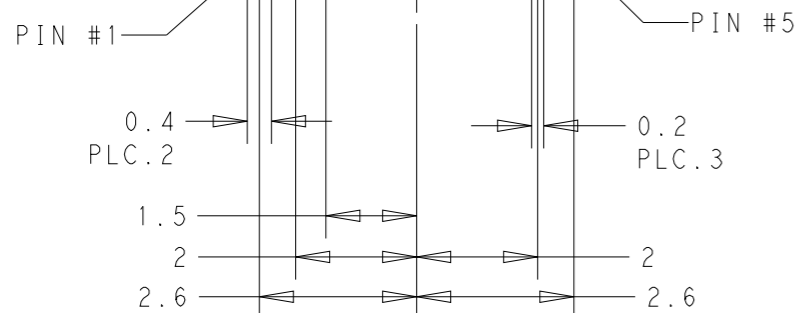
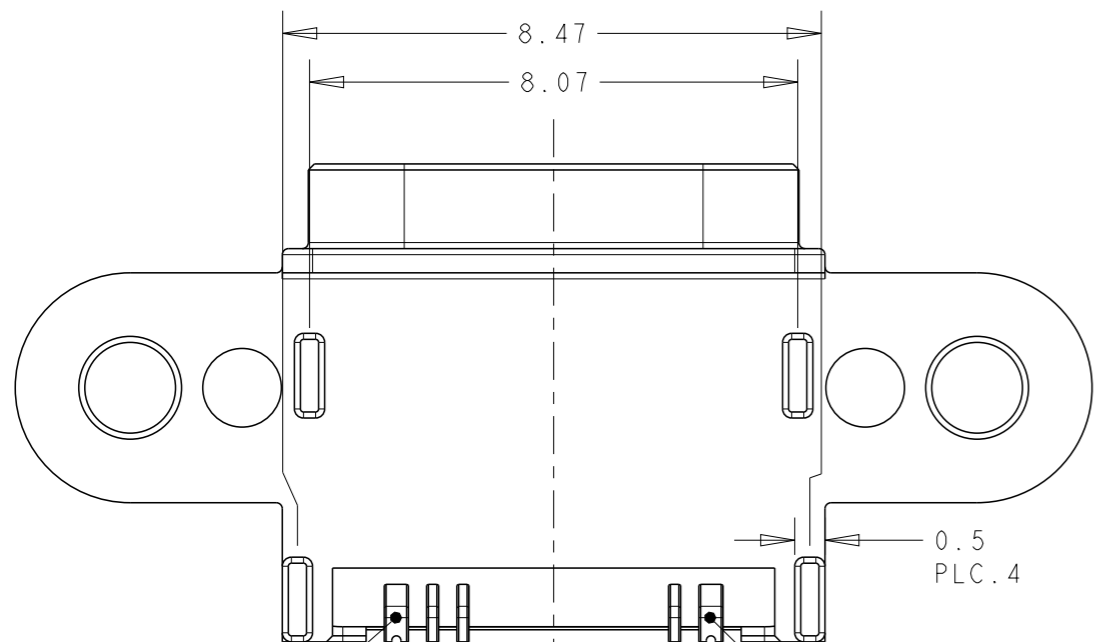
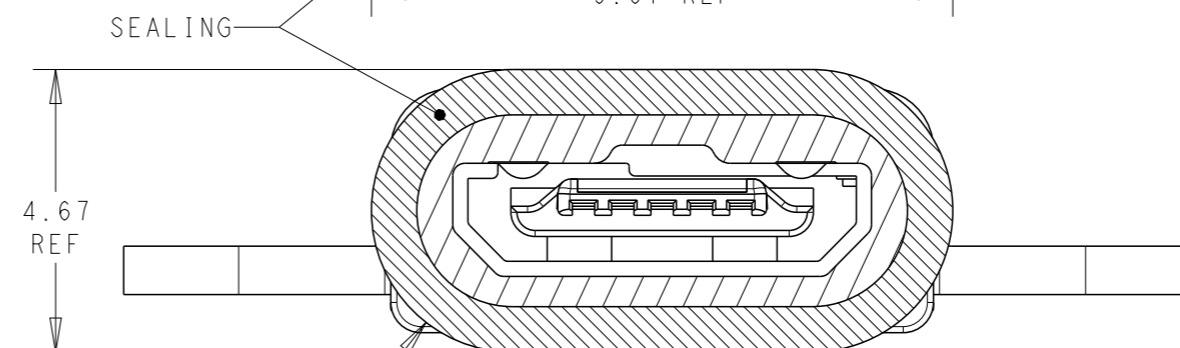
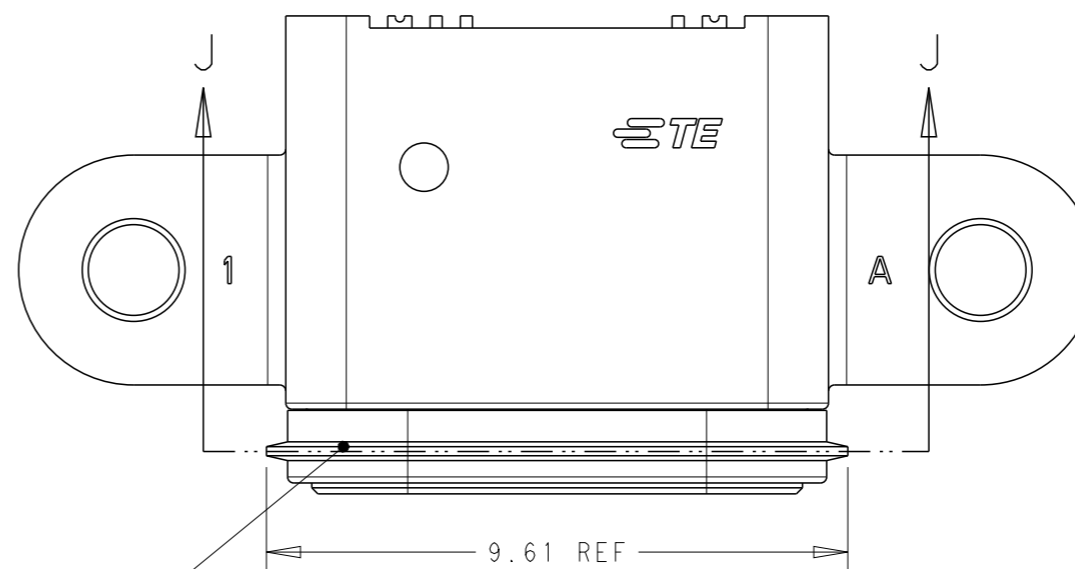
THIS DRAWING IS A CONTROLLED DOCUMENT.		DWN	YJ.C	15JUL2014	 TE Connectivity	NAME Micro USB RECEPTACLE 5POSITION STANDARD ON BOARD WATER PROOF	
		CHK	HJ.L	15JUL2014			
		APVD	JH.K	15JUL2014			
		PRODUCT SPEC	108-61223				
		APPLICATION SPEC	114-XXXXX		SIZE	A3	
		WEIGHT	-		CAGE CODE	00779	
		CUSTOMER DRAWING		SCALE	8:1	DRAWING NO	C=2108877
				SHEET	1	RESTRICTED TO	-
				OF	4	REV	B

P	LTR	DESCRIPTION	DATE	DWN	APVD

PIN #3
 PIN #2
 PIN #1
 PIN #4
 PIN #5





AFTER ASSEMBLY SEALING

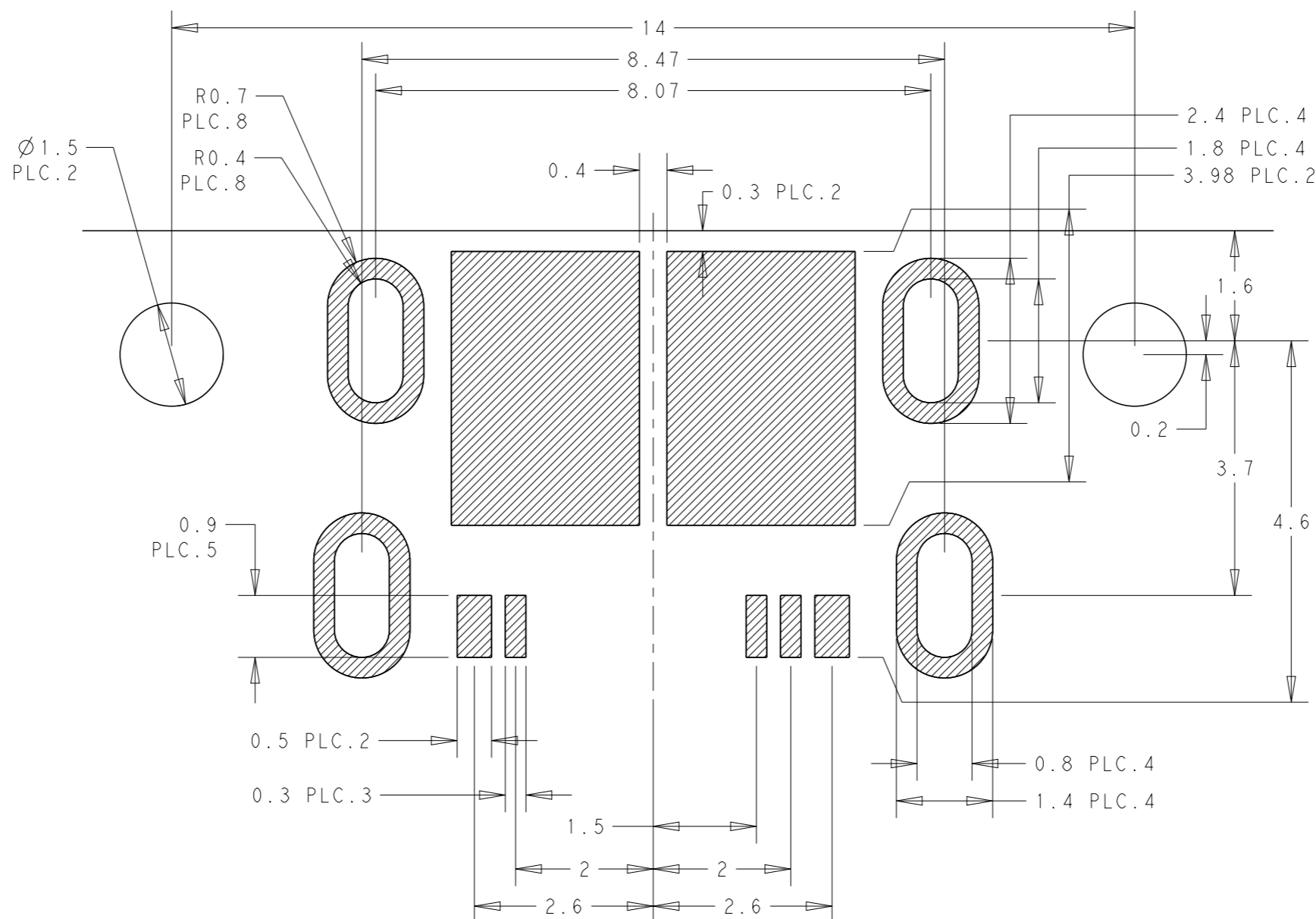


REFERENCE PIN ASSIGNMENT



5	micro USB PIN 5	GND
4	micro USB PIN 4	ID
3	micro USB PIN 3	D+
2	micro USB PIN 2	D-
1	micro USB PIN 1	VBUS
PIN #	CONTACT NO.	SIGNAL NAME (ASSIGNMENT)

THIS DRAWING IS A CONTROLLED DOCUMENT.		DWN YJ.C 15JUL2014	 TE Connectivity NAME Micro USB RECEPTACLE 5POSITION STANDARD ON BOARD WATER PROOF
DIMENSIONS: mm		CHK HJ.L 15JUL2014	
		APVD JH.K 15JUL2014	
TOLERANCES UNLESS OTHERWISE SPECIFIED: ± 0.2 0 PLC \pm 1 PLC \pm 2 PLC \pm 3 PLC \pm 4 PLC \pm ANGLES $\pm 5^\circ$ FINISH		PRODUCT SPEC 108-61223	
MATERIAL 1	FINISH 2	APPLICATION SPEC 114-XXXXX	SIZE A3
CUSTOMER DRAWING		WEIGHT -	CAGE CODE 00779
		SCALE 8:1	DRAWING NO C-2108877
		SHEET 2	RESTRICTED TO -
		OF 4	REV B

P	LTR	DESCRIPTION	DATE	DWN	APVD



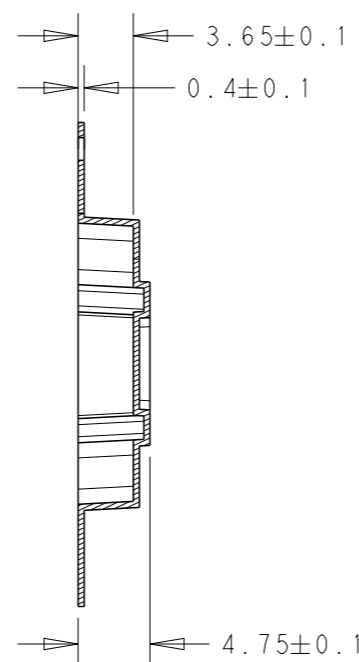
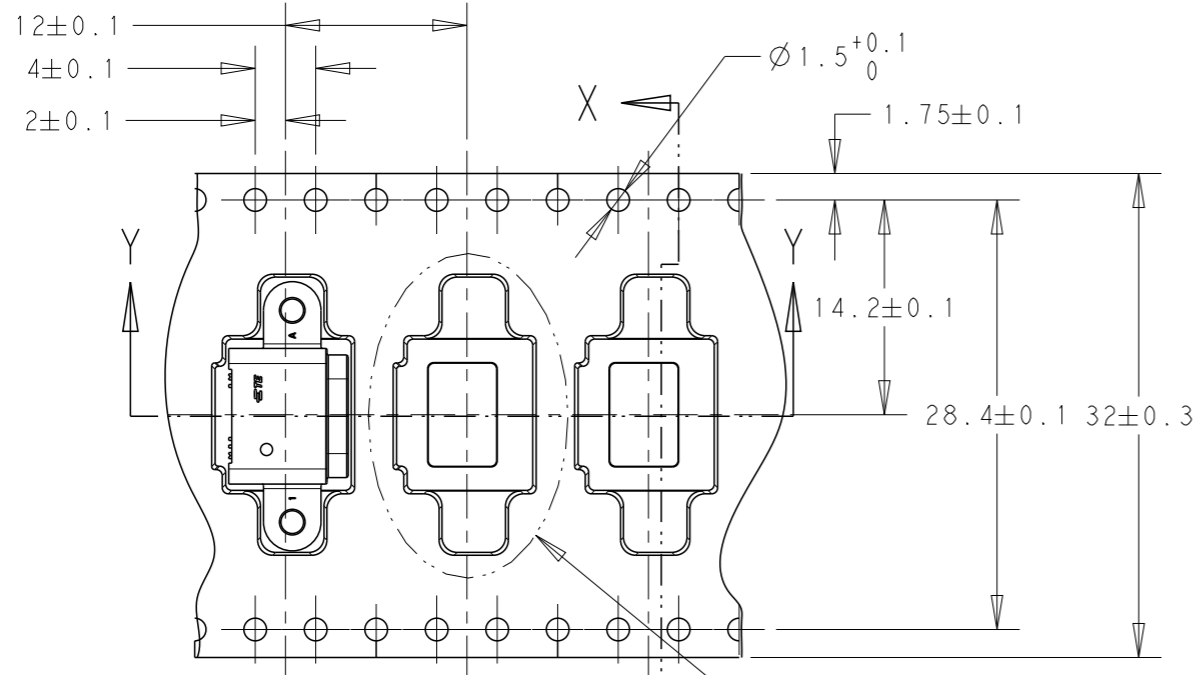
RECOMMENDED PCB LAYOUT
TOP VIEW
(GENERAL TOLERANCE : ±0.05)

THIS DRAWING IS A CONTROLLED DOCUMENT.		DWN YJ.C	15JUL2014	 TE Connectivity			
DIMENSIONS: mm		CHK HJ.L	15JUL2014				
		APVD JH.K	15JUL2014				
TOLERANCES UNLESS OTHERWISE SPECIFIED: ±0.2		PRODUCT SPEC	108-61223				
<ul style="list-style-type: none"> Ø PLC ± 1 PLC ± 2 PLC ± 3 PLC ± 4 PLC ± ANGLES ±5° FINISH 		APPLICATION SPEC	114-XXXXX	NAME Micro USB RECEPTACLE 5POSITION STANDARD ON BOARD WATER PROOF			
MATERIAL 1	FINISH 2	WEIGHT	-	SIZE A3	CAGE CODE 00779	DRAWING NO C-2108877	RESTRICTED TO -
CUSTOMER DRAWING				SCALE 8:1	SHEET 3	OF 4	REV B

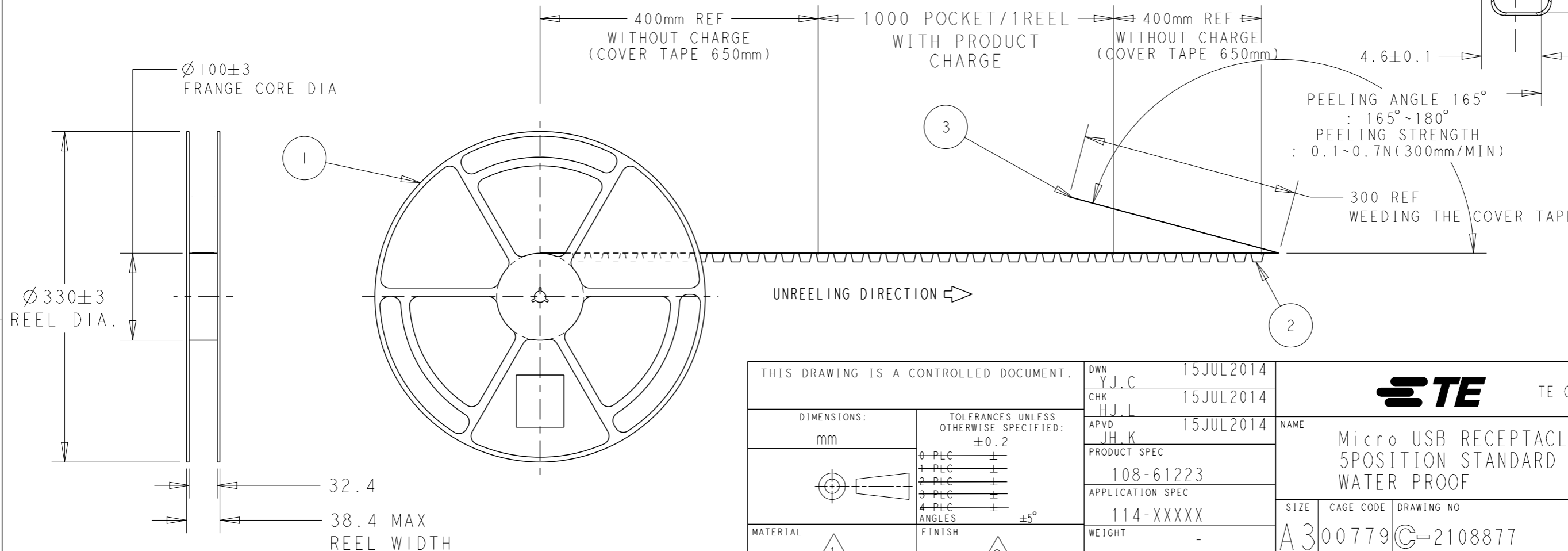
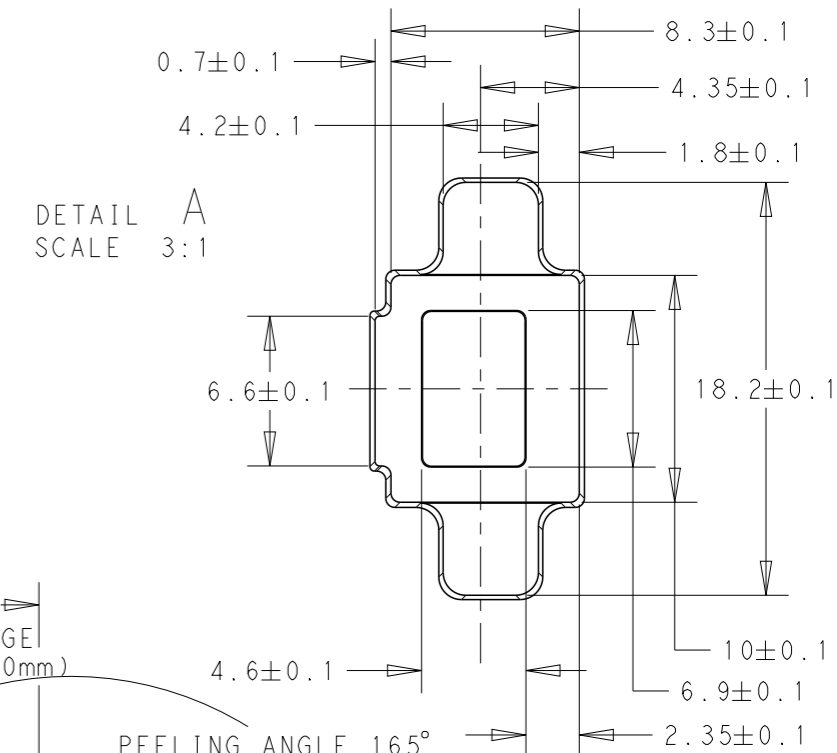
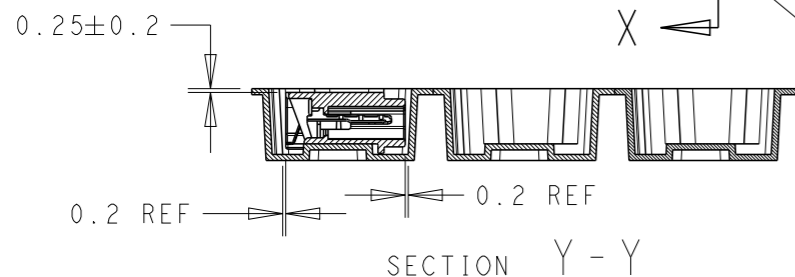
REVISIONS

P	LTR	DESCRIPTION	DATE	DWN	APVD
		SEE SHEET 1			

PRODUCT USER DIRECTION OF UNREELING →

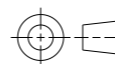


- 1 MATERIAL ANTI STATIC MATERIAL SHOULD BE USED. PS(NATURAL) REEL SHOULD BE APPLIED.
- 2 MATERIAL/COMPONENTS WHICH CONTAIN PROHIBITION SUBSTANCES WHICH ARE DESCRIBED IN THE TABLE 1 OF 4.2, ENVIRONMENT RELATED SUBSTANCE CONTROL STANDARD ON 14-2.5.0.6, MUST NOT BE USED IN PRODUCT NOR MANUFACTURING PROCESS.
- 3 CADMIUM CONTENT: 5ppm UNDER. (ONLY PLASTIC/RUBBER) : QIP INSPECTION ITEM. (ONLY PLASTIC/RUBBER)
- 4 NO SCRATCH AND STAIN ON SHELL
- 5 COVER TAPE IS THERMO-COMPRESSION SEALING(BONDING)
- 6 ESD OF REEL COVER TAPE IS 100V MAX
- 7 SURFACE RESISTANCE OF REEL COVER TAPE IS 1X10⁵ ~ 1X10¹² ohm



THIS DRAWING IS A CONTROLLED DOCUMENT.

DIMENSIONS: mm



TOLERANCES UNLESS OTHERWISE SPECIFIED: ±0.2

- Ø PLC ±
- 1 PLC ±
- 2 PLC ±
- 3 PLC ±
- 4 PLC ±
- ANGLES ±5°
- FINISH

MATERIAL



FINISH



DWN 15JUL2014

YJ.C

CHK 15JUL2014

HJ.L

APVD 15JUL2014

JH.K

PRODUCT SPEC

108-61223

APPLICATION SPEC

114-XXXXX

WEIGHT -

CUSTOMER DRAWING

NAME
TE Connectivity
Micro USB RECEPTACLE
5POSITION STANDARD ON BOARD
WATER PROOF

SIZE	CAGE CODE	DRAWING NO	RESTRICTED TO
A3	00779	C=2108877	-

SCALE 8:1 SHEET 4 OF 4 REV B