

PLEASE CHECK WWW.MOLEX.COM FOR LATEST PART INFORMATION

Part Number: [0782291001](#)
Status: **Active**
Overview: [GbX I-Trac Backplane Connector System](#)
Description: GbX I-Trac Right-Angle Header with Left Hold Down, Power Module, 2 Blades, 40 Amps, Lead-Free

Documents:

[3D Model](#) [Application Specification AS-78231-007-001 \(PDF\)](#)
[Drawing \(PDF\)](#) [RoHS Certificate of Compliance \(PDF\)](#)
[Product Specification PS-78231-006-001 \(PDF\)](#)

Agency Certification

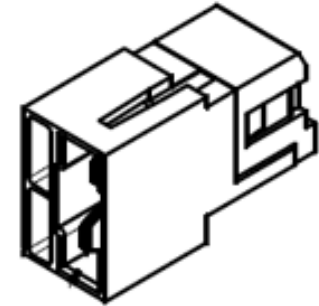
CSA LR19980
 UL E29179

General

Product Family Backplane Connectors
 Series [78229](#)
 Application Daughtercard
 Component Type Power Header
 Overview [GbX I-Trac Backplane Connector System](#)
 Product Name GbX I-Trac
 UPC 883906551803

Physical

Circuits (Loaded) 2
 Circuits (maximum) 2
 Circuits Detail 40 Amps (20/Split Blade). Power Module 1 Blade
 Length P1, 8.27mm; P2, 8.27mm
 Color - Resin Black
 Durability (mating cycles max) 100
 First Mate / Last Break No
 Flammability 94V-0
 Guide to Mating Part No
 Keying to Mating Part None
 Material - Metal High Performance Alloy (HPA)
 Material - Plating Mating Gold
 Material - Plating Termination Tin
 Material - Resin High Temperature Thermoplastic
 Net Weight 5.791/g
 Number of Columns 1
 Number of Pairs N/A
 Number of Rows 2
 Orientation Right Angle
 PC Tail Length 2.41mm
 PCB Locator Yes
 PCB Retention Yes
 PCB Thickness - Recommended 1.60mm
 Packaging Type Tray
 Pitch - Mating Interface 2.00mm, 7.40mm
 Pitch - Termination Interface 2.00mm, 7.40mm
 Polarized to PCB Yes
 Stackable No
 Surface Mount Compatible (SMC) Yes
 Temperature Range - Operating -20° to +85°C
 Termination Interface: Style Through Hole - Compliant Pin



Series image - Reference only

EU ELV

Not Relevant

EU RoHS

Compliant

REACH SVHC

Not Contained Per -
 ED/30/2017 (7 July
 2017)

Halogen-Free

Status

Low-Halogen

For more information, please visit [Contact US](#)

China ROHS

ELV

RoHS Phthalates

China RoHS

Green Image

Not Relevant

Not Contained

Search Parts in this Series

[78229](#) Series

Mates With

[78227](#) GbX I-Trac Vertical Receptacle,
 Power Module. [78230](#) GbX I-Trac Power
 Receptacle

Use With

[76020](#) GbX I-Trac Right Angle, 7 Row
 Receptacle Module

Application Tooling | FAQ

Tooling specifications and manuals are found by selecting the products below. Crimp Height Specifications are then contained in the Application Tooling Specification document.

Global

Description

Product #

Press-in Tool for [622018627](#)

Right-Angle Power

Receptacle and

Header for 7-Row

Electrical

Current - Maximum per Contact	40.0A
Data Rate	12.0 Gbps
Shield Type	N/A
Shielded	No
Voltage - Maximum	250V DC

Solder Process Data

Lead-freeProcess Capability	N/A
-----------------------------	-----

Material Info**Reference - Drawing Numbers**

Application Specification	AS-78231-007-001
Product Specification	PS-78231-006-001
Sales Drawing	SD-78229-003

This document was generated on 02/20/2019

PLEASE CHECK WWW.MOLEX.COM FOR LATEST PART INFORMATION