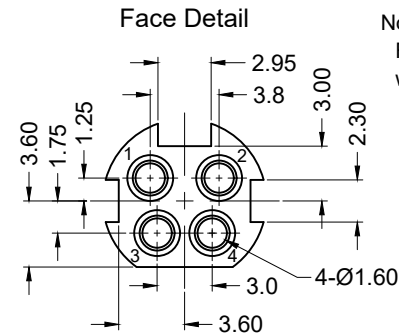


Recommended PCB Layout  
Bottom View



**Material and Finish**

Body: PBT Thermoplastic  
UL94V-0 Rated  
Color: Black

Contacts: Brass

Contacts Plating Options:  
Standard: Tin Plating  
30 Option: 30u" Gold Plated

Inner Shield: Copper Alloy,  
Tin Plated

Outer Shield: Steel, Tin Plated

**Electrical Characteristics**

Contact Rating (Per Pin):  
7.5A Max. @ 48V DC

Insulation Resistance:  
50 Megohms Min. at 250V DC

Dielectric Withstanding Voltage:  
500V AC RMS for 1 Min.

Contact Resistance:  
30 milliohms Max.

**Mechanical Characteristics**

Operating Temperature:  
-40°C to 75°C

Note:  
Recommended for use  
with Kycon KPPX plug.

Part Number	Contact Area Plating Finish
KPJX-4S-S	Tin Plating
KPJX-4S-S-30	30u" Gold (30 Option)

RoHS COMPLIANT

cULus  
E140125

SP  
LR78160

Tolerances
X.X ± 0.35
X.XX ± 0.25
Unless Stated
Otherwise

REV.	DATE	DESCRIPTION	REV. BY	CHK. BY	DRAWN BY	DATE
A12	09/18/15	ECO #15-010	C. Kelleher	W. Cook	H. MA	4/13/05
A13	02/19/16	ECO #16-005	C. Kelleher	W. Cook		
A14	12/12/16	ECO #16-033	G. Serrato	W. Cook		
A15	08/20/18	ECO #18-034	G. Serrato	D. Shehan	UNITS	mm
A16	10/05/18	ECO #18-051	G. Serrato	D. Shehan		
A17	08/15/22	ECO #22-004	W. Cook	C. Furumasa		

**KPJX-4S-S**

DC Power Jack, RoHS Compliant

4 Position, Shielded

