

4

3

2

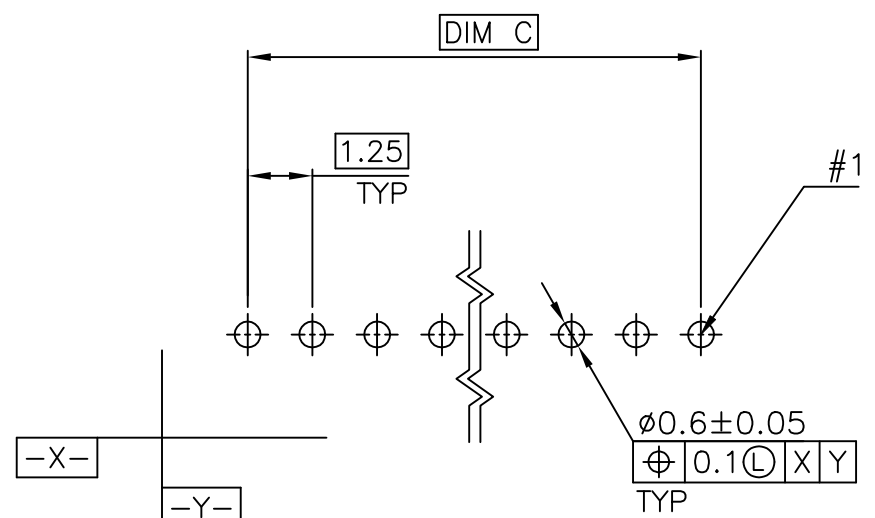
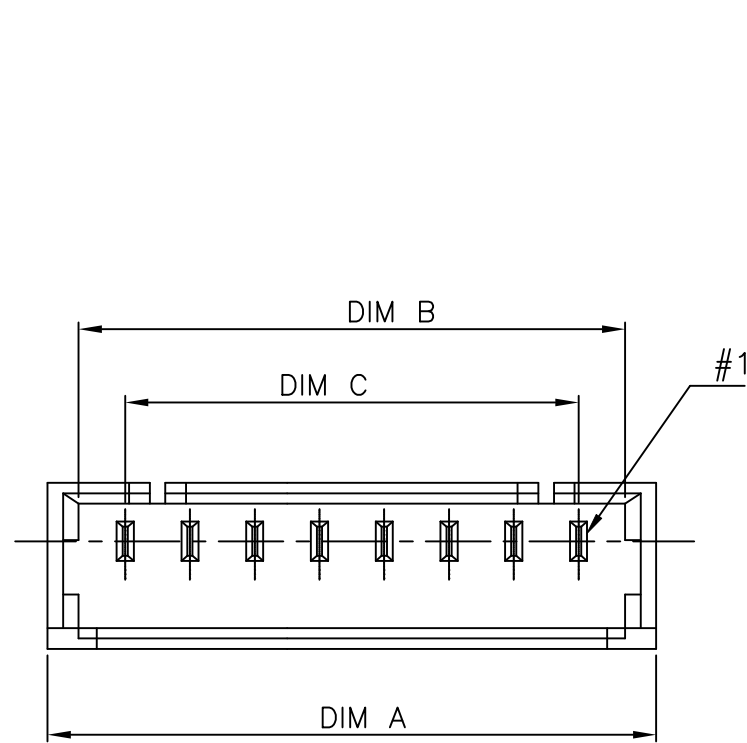
1

THIS DRAWING IS UNPUBLISHED. RELEASED FOR PUBLICATION  
 © COPYRIGHT 2013 BY TE CONNECTIVITY. ALL RIGHTS RESERVED.

LOC	DIST	REVISIONS					
DW	-	P	LTR	DESCRIPTION	DATE	DWN	APVD
		R2		ECR-18-014164	29NOV18	T.Q	W.H

D

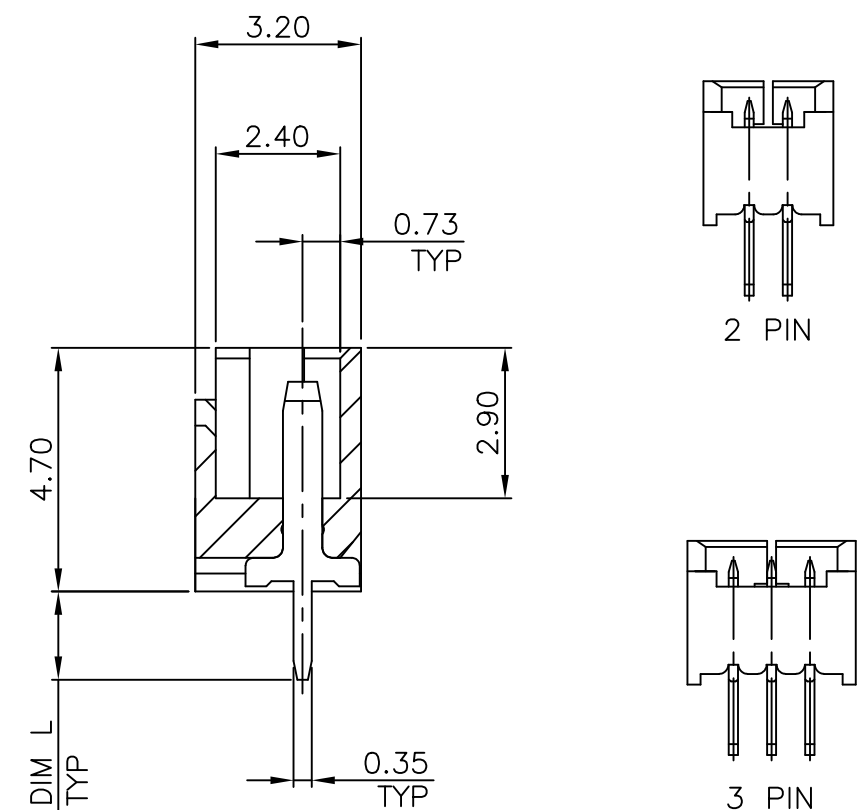
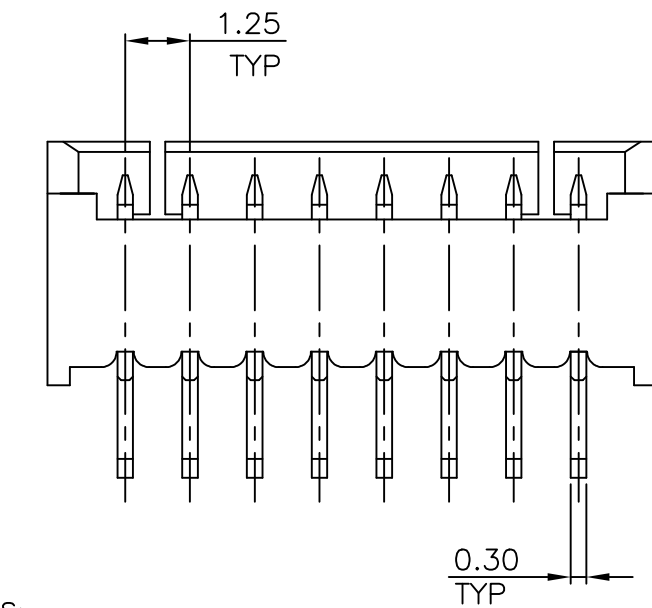
D



RECOMMENDED PCB LAYOUT (TOP VIEW)  
 TOLERANCE: ±0.05, THICKNESS: 1.2MM ~ 1.8MM

C

C



B

B

A

A

- NOTES:
- MATERIAL:  
HOUSING: PA9T W/ 30% GF, UL94 V-0, NATURAL COLOR.  
CONTACTS: PHOSPHOR BRONZE.
  - FINISH:  
CONTACTS: 120μ" MIN. MATTE-TIN OVER 50μ" MIN. NICKEL PLATED.  
 ⚠ 0.762μm [30μ"] MIN. GOLD PLATED ON CONTACT AREA,  
 GOLD FLASH ON SOLDER TAILS, 1.27μm [50μ"] MIN. NICKEL ON ENTIRE CONTACT.
  - NO TE LOGO AND DATE CODE ON THE PRODUCT.

DIM. L	DIM. C	DIM. B	DIM. A	NO. OF CONTACTS	PART NUMBER	
3.70	2.30	5.00	6.80	8.00	5	6-1734598-0
	17.50	19.30	20.50	15	5-1734598-5	
	16.25	18.05	19.25	14	5-1734598-4	
	15.00	16.80	18.00	13	5-1734598-3	
	13.75	15.55	16.75	12	5-1734598-2	
	12.50	14.30	15.50	11	5-1734598-1	
	11.25	13.05	14.25	10	5-1734598-0	
	10.00	11.80	13.00	9	4-1734598-9	
	8.75	10.55	11.75	8	4-1734598-8	
	7.50	9.30	10.50	7	4-1734598-7	
	6.25	8.05	9.25	6	4-1734598-6	
	5.00	6.80	8.00	5	4-1734598-5	
	3.75	5.55	6.75	4	4-1734598-4	
	2.50	4.30	5.50	3	4-1734598-3	
	1.25	3.05	4.25	2	4-1734598-2	
2.30	17.50	19.30	20.50	15	3-1734598-5	
	16.25	18.05	19.25	14	3-1734598-4	
	15.00	16.80	18.00	13	3-1734598-3	
	13.75	15.55	16.75	12	3-1734598-2	
	12.50	14.30	15.50	11	3-1734598-1	
	11.25	13.05	14.25	10	3-1734598-0	
	10.00	11.80	13.00	9	2-1734598-9	
	8.75	10.55	11.75	8	2-1734598-8	
	7.50	9.30	10.50	7	2-1734598-7	
	6.25	8.05	9.25	6	2-1734598-6	
	5.00	6.80	8.00	5	2-1734598-5	
	3.75	5.55	6.75	4	2-1734598-4	
	2.50	4.30	5.50	3	2-1734598-3	
	1.25	3.05	4.25	2	2-1734598-2	
	1.70	17.50	19.30	20.50	15	1-1734598-5
16.25		18.05	19.25	14	1-1734598-4	
15.00		16.80	18.00	13	1-1734598-3	
13.75		15.55	16.75	12	1-1734598-2	
12.50		14.30	15.50	11	1-1734598-1	
11.25		13.05	14.25	10	1-1734598-0	
10.00		11.80	13.00	9	1734598-9	
8.75		10.55	11.75	8	1734598-8	
7.50		9.30	10.50	7	1734598-7	
6.25		8.05	9.25	6	1734598-6	
5.00		6.80	8.00	5	1734598-5	
3.75		5.55	6.75	4	1734598-4	
2.50		4.30	5.50	3	1734598-3	
1.25		3.05	4.25	2	1734598-2	

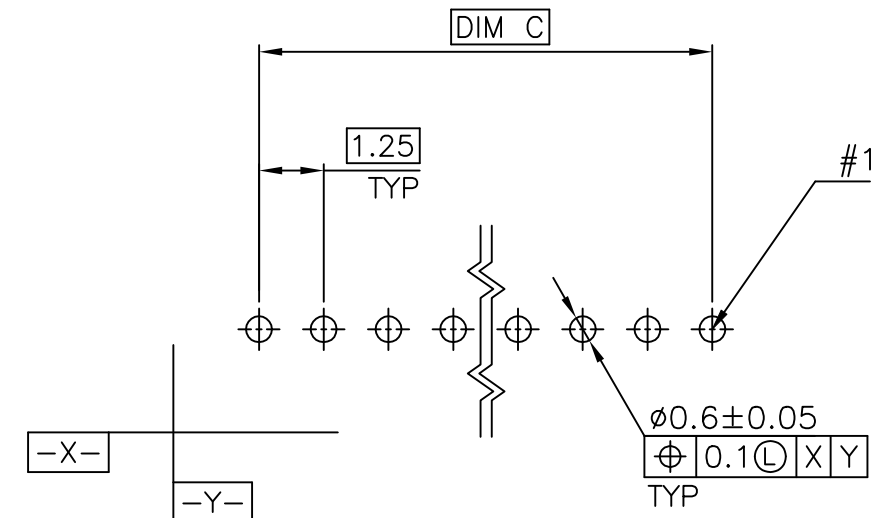
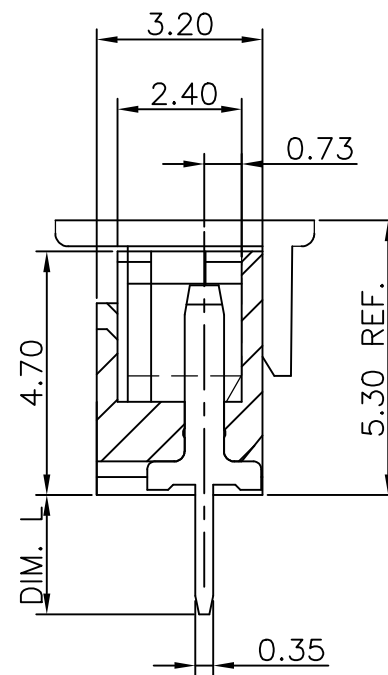
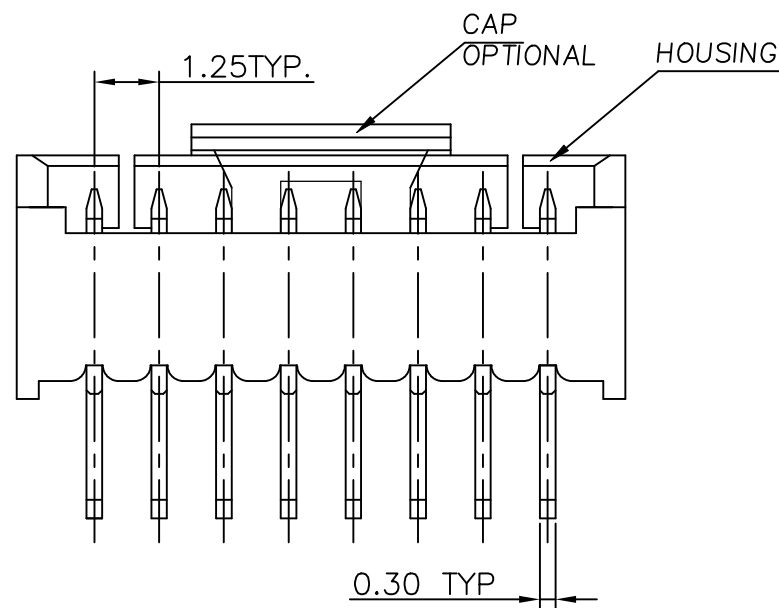
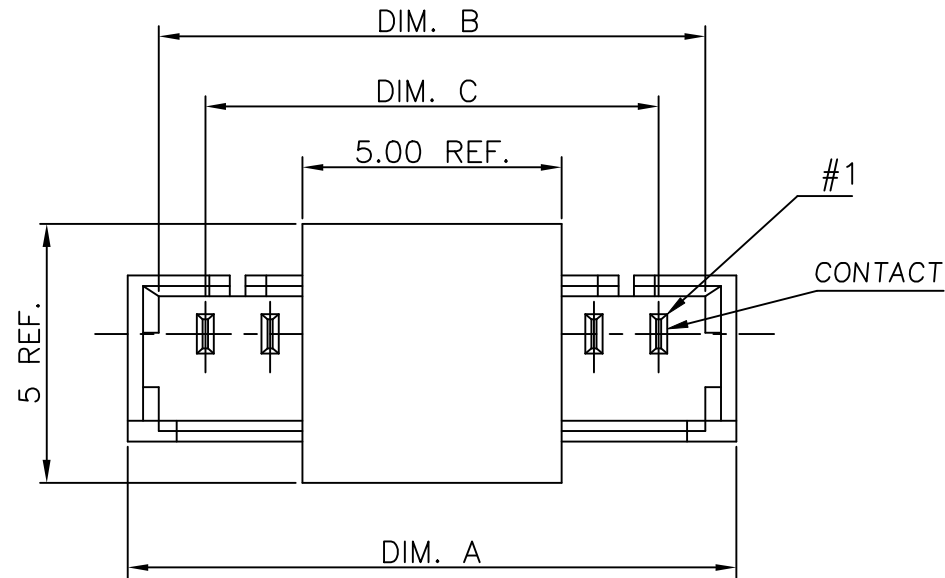
THIS DRAWING IS A CONTROLLED DOCUMENT.		DWN	A. WU	30DEC2005	 TE Connectivity	NAME 1.25 MM PITCH WIRE-TO-BOARD CONNECTOR, HEADER, DIP, VERTICAL					
DIMENSIONS: MM		CHK	S. HOU	30DEC2005							
TOLERANCES UNLESS OTHERWISE SPECIFIED:		APVD	W.J. KE	30DEC2005							
0 PLC ± - 1 PLC ± 0.3 2 PLC ± 0.2 3 PLC ± - 4 PLC ± - ANGLES ± 5°		PRODUCT SPEC		108-57273							
MATERIAL		FINISH		APPLICATION SPEC		---					
SEE NOTE		SEE NOTE		WEIGHT		---					
		CUSTOMER DRAWING		SIZE	A3	CAGE CODE	00779	DRAWING NO	C=1734598	RESTRICTED TO	---
				SCALE	---	SHEET	1	OF 4	REV	R2	

THIS DRAWING IS UNPUBLISHED. RELEASED FOR PUBLICATION  
 © COPYRIGHT 2013 BY TE CONNECTIVITY. ALL RIGHTS RESERVED.

LOC	DIST	REVISIONS				
P	LTR	DESCRIPTION	DATE	DWN	APVD	
DW	-	SEE SHEET 1				

NOTE:

- MATERIAL:  
 HOUSING: THERMOPLASTIC (LCP) WITH 30% GF, UL 94V-0, NATURE COLOR.  
 CAP: THERMOPLASTIC (LCP) WITH 30% GF, UL 94V-0, COLOR BLACK  
 CONTACTS: PHOSPHOR BRONZE.
- FINISH:  
 CONTACTS: 3.048μm[120μ"] MIN. MATTE-TIN OVER  
 1.27μm[50μ"]MIN. NICKEL ON ENTIRE CONTACT.
- REFLOW SOLDER CAPABLE TO 260°C PER TE SPEC. TEC-109-201, CONDITION B.
- LOW HALOGEN SPECIFICATION:  
 CHLORINE(Cl): 900ppm MAX.  
 BROMINE(Br): 900ppm MAX.
- NO TE LOGO AND DATE CODE ON THE PRODUCT.
- PACKAGE : TAPE AND REEL TYPE (SEE PAGE 4)



RECOMMENDED PCB LAYOUT (TOP VIEW)  
 TOLERANCE: ±0.05, THICKNESS: 1.6MM

WITHOUT	2.30	8.75	10.55	11.75	8	6-1734598-2
WITH	2.30	8.75	10.55	11.75	8	6-1734598-1
CAP STATUS	DIM. L	DIM. C	DIM. B	DIM. A	NO. OF CONTACTS	PART NUMBER

THIS DRAWING IS A CONTROLLED DOCUMENT.		DWN	TE Connectivity			
DIMENSIONS: MM		CHK				
TOLERANCES UNLESS OTHERWISE SPECIFIED:		APVD	NAME			
0 PLC ± -		PRODUCT SPEC	1.25 MM PITCH WIRE-TO-BOARD CONNECTOR, HEADER, DIP, VERTICAL			
1 PLC ± -		APPLICATION SPEC	SIZE	CAGE CODE	DRAWING NO	RESTRICTED TO
2 PLC ± -		WEIGHT	A3	00779	C=1734598	-
3 PLC ± -		CUSTOMER DRAWING	SCALE	SHEET	REV	
4 PLC ± -			-	2 of 4	R2	
ANGLES ± -						
MATERIAL						
FINISH						

THIS DRAWING IS UNPUBLISHED.

RELEASED FOR PUBLICATION

---

© COPYRIGHT 2013 BY TE CONNECTIVITY.

ALL RIGHTS RESERVED.

LOC

DIST

REVISIONS

DW

---

P

LTR

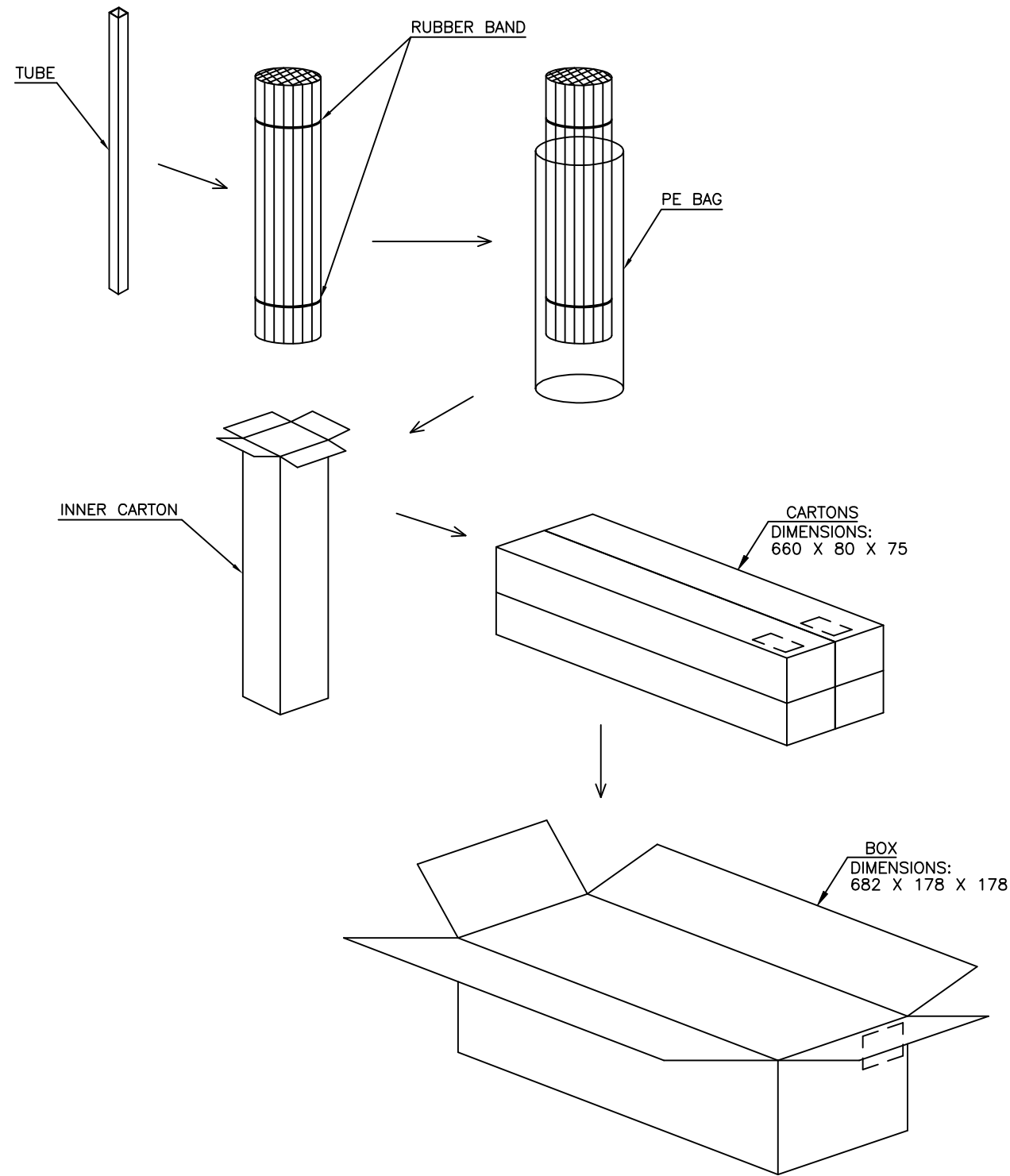
DESCRIPTION

DATE

DWN

APVD

SEE SHEET 1



NOTE:

- 1. PN 6-1734598-1
- 6-1734598-2 SEE NEXT PAGE

TUBES/BOX	QUANTITY	PCS/TUBE	G/W (KG)	N/W (KG)	NO. OF CONTACTS
200	6000	30	5.948	2.178	15
200	6400	32	5.920	2.150	14
200	6800	34	5.919	2.148	13
200	7200	36	5.959	2.188	12
200	7800	39	5.868	2.098	11
200	8600	43	5.972	2.201	10
200	9400	47	5.970	2.199	9
200	10400	52	5.954	2.184	8
200	11600	58	5.974	2.204	7
200	13200	66	5.850	2.112	6
200	15200	76	5.929	2.158	5
200	18000	90	5.930	2.160	4
200	22000	110	5.950	2.178	3
200	28200	141	5.915	2.143	2

THIS DRAWING IS A CONTROLLED DOCUMENT.

DWN	---
CHK	---
APVD	---
PRODUCT SPEC	---
APPLICATION SPEC	---
WEIGHT	---
CUSTOMER DRAWING	---

DIMENSIONS: MM	
MATERIAL	

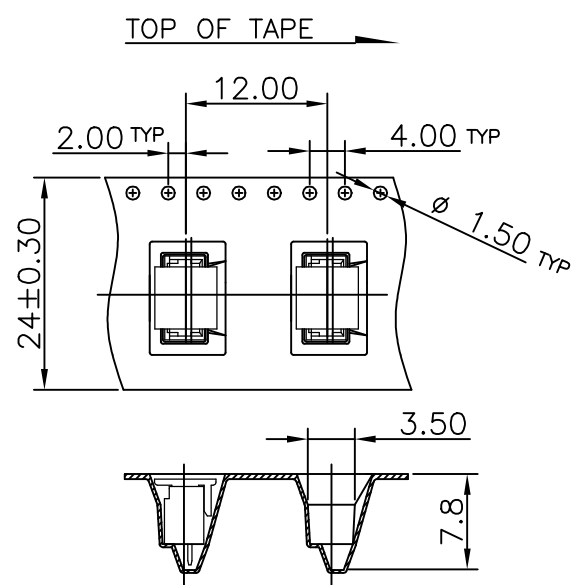
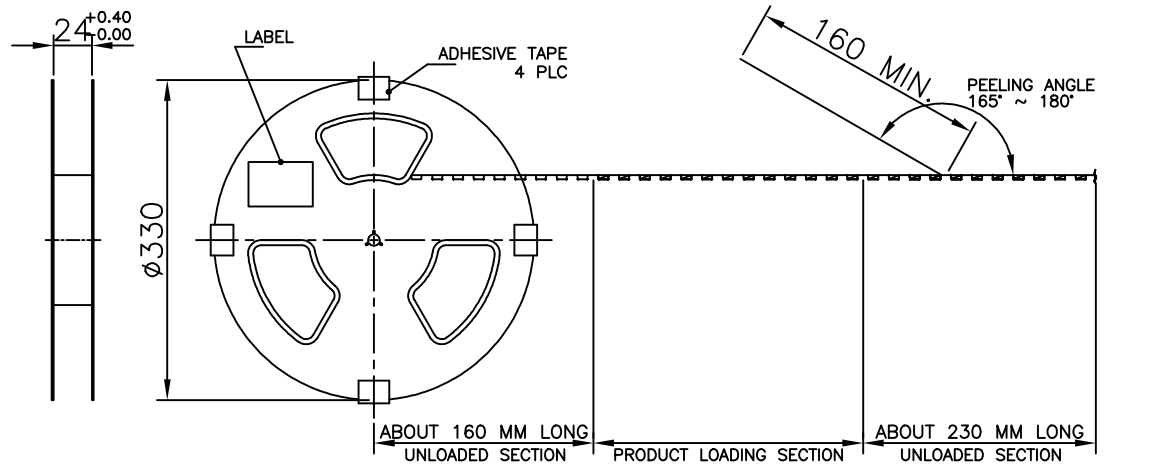
TOLERANCES UNLESS OTHERWISE SPECIFIED:	
0 PLC	± -
1 PLC	± -
2 PLC	± -
3 PLC	± -
4 PLC	± -
ANGLES	± -
FINISH	



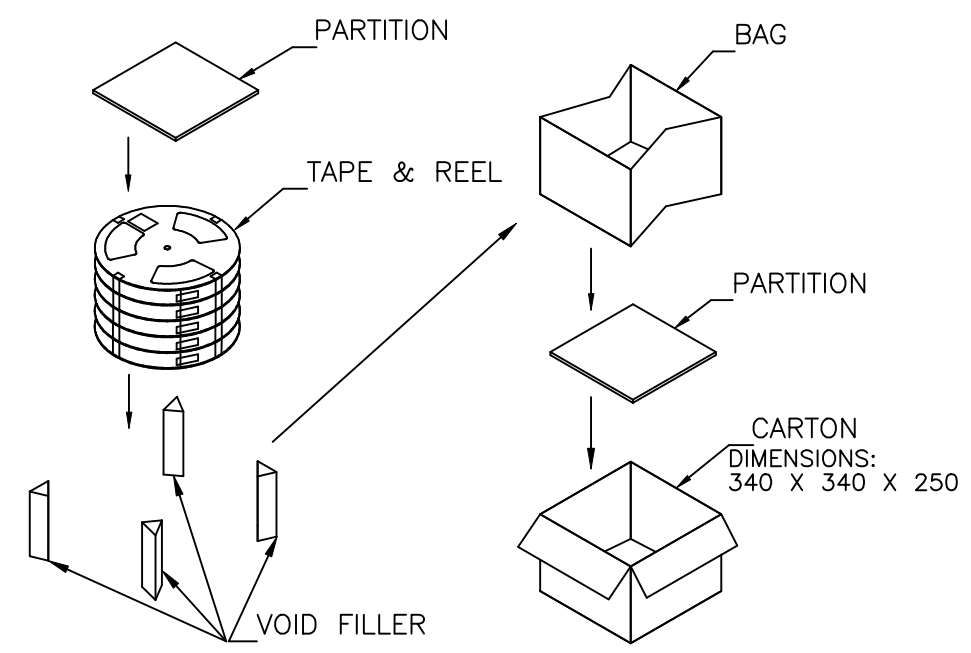
NAME			
1.25 MM PITCH WIRE-TO-BOARD CONNECTOR, HEADER, DIP, VERTICAL			
SIZE	CAGE CODE	DRAWING NO	RESTRICTED TO
A3	00779	C=1734598	---
SCALE		SHEET	REV
---		3 of 4	R2

THIS DRAWING IS UNPUBLISHED. RELEASED FOR PUBLICATION  
 © COPYRIGHT 2013 BY TE CONNECTIVITY. ALL RIGHTS RESERVED.

LOC	DIST	REVISIONS				
P	LTR	DESCRIPTION	DATE	DWN	APVD	
DW	-	SEE SHEET 1				



- NOTE:
1. PEELING FORCE: 10g ~ 130g.
  2. PEELING SPEED: 300mm/min.(REFERENCE)



5.44	0.61	700	7	4900	6-1734598-2
5.7	0.87	700	7	4900	6-1734598-1
G/W (Kg)	N/W (Kg)	PCS/TAPE	REELS/BOX	NO. OF CONNECTORS	PART NUMBER

THIS DRAWING IS A CONTROLLED DOCUMENT.		DWN		 TE Connectivity NAME 1.25 MM PITCH WIRE-TO-BOARD CONNECTOR, HEADER, DIP, VERTICAL	
DIMENSIONS: MM		CHK			
TOLERANCES UNLESS OTHERWISE SPECIFIED:		APVD			
0 PLC ± - 1 PLC ± - 2 PLC ± - 3 PLC ± - 4 PLC ± - ANGLES ± -		PRODUCT SPEC			
MATERIAL		WEIGHT		APPLICATION SPEC	
FINISH		CUSTOMER DRAWING		RESTRICTED TO	
		SCALE		SHEET 4 of 4	
		REV		R2	