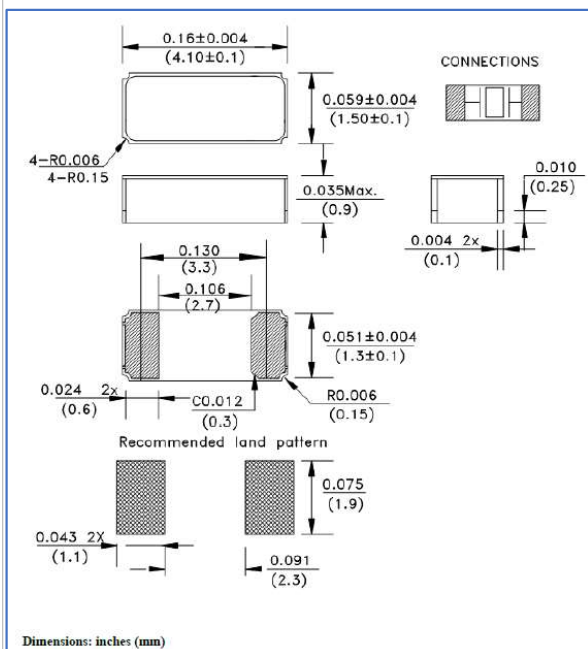


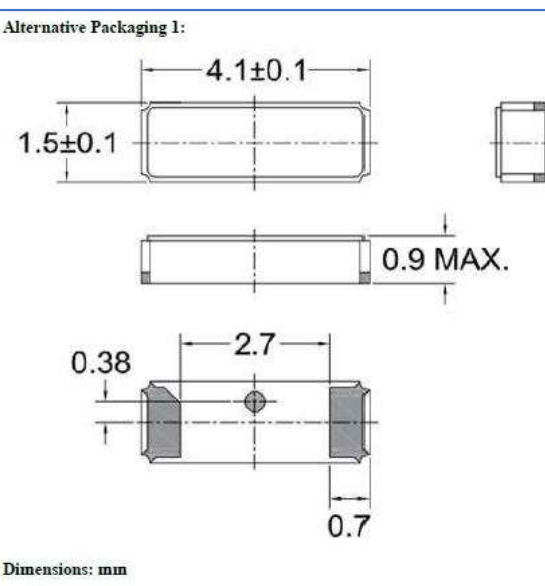
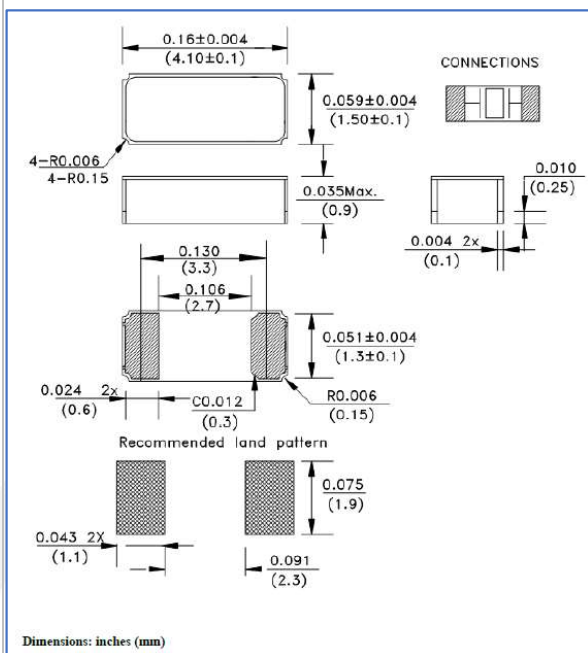
ECN/PCN No.: 4548

For Manufacturer			
Product Description: 32.768KHZ SMD LOW PROFILE CRYSTAL	Abracon Part Number / Part Series: ABS09	<input type="checkbox"/> Documentation only <input checked="" type="checkbox"/> ECN <input type="checkbox"/> EOL	<input checked="" type="checkbox"/> Series <input type="checkbox"/> Part Number
Affected Revision: J	New Revision: K	Application:	<input type="checkbox"/> Safety <input checked="" type="checkbox"/> Non-Safety

Prior to Change:
Mechanical dimensions



After Change:
Mechanical dimensions



Cause/Reason for Change:

Abracon introduced additional manufacturing sources to ensure product availability and to be in a better position to meet long term customer demand. Added an alternative bottom packaging structure to reflect the product produced by all manufacturing sources.

Change Plan

Effective Date:

02/10/2023

Additional Remarks:

N/A

Change Declaration:

The added bottom packaging structure does not impact the electrical performance of the device.

Issued Date:

02/10/2023

Issued By:
Issued Department:
Approval:
Approval:
Approval:

For Abracon EOL only

Last Time Buy (if applicable):

N/A

Alternate Part Number / Part Series:

N/A

Additional Approval:

N/A

Additional Approval:

N/A

Additional Approval:

N/A

Customer Approval (If Applicable)

Qualification Status:

Approved Not accepted

Note: It is considered approved if there is no feedback from the customer 1 month after ECN/PCN is released.

Customer Part Number:
Customer Project:
Company Name:
Company Representative:
Representative Signature:
Customer Remarks:

affected part numbers

ABS09-32.768KHZ

ABS09-32.768KHZ

ABS09-32.768KHZ-1

ABS09-32.768KHZ-1-T

ABS09-32.768KHZ-4

ABS09-32.768KHZ-4-T

ABS09-32.768KHZ-6-T

ABS09-32.768KHZ-7

ABS09-32.768KHZ-7-T

ABS09-32.768KHZ-9

ABS09-32.768KHZ-9-1

ABS09-32.768KHZ-9-1-T

ABS09-32.768KHZ-9-T

ABS09-32.768KHZ-T