

# TPS51716 Complete DDR2, DDR3, DDR3L, LPDDR3, and DDR4 Memory Power Solution

## Synchronous Buck Controller, 2-A LDO, With Buffered Reference

### 1 Features

- Synchronous Buck Controller (VDDQ)
  - Conversion Voltage Range: 3 to 28 V
  - Output Voltage Range: 0.7 to 1.8 V
  - 0.8%  $V_{REF}$  Accuracy
  - D-CAP2™ Mode for Ceramic Output Capacitors
  - Selectable 500-kHz/670-kHz Switching Frequencies
  - Optimized Efficiency at Light and Heavy Loads With Auto-Skip Function
  - Supports Soft-Off in S4/S5 States
  - OCL/OVP/UVP/UVLO Protections
  - Powergood Output
- 2-A LDO (VTT), Buffered Reference (VTTREF)
  - 2-A (Peak) Sink and Source Current
  - Requires Only 10- $\mu$ F of Ceramic Output Capacitance
  - Buffered, Low Noise, 10-mA VTTREF Output
  - 0.8% VTTREF, 20-mV VTT Accuracy
  - Support High-Z in S3 and Soft-Off in S4/S5
- Thermal Shutdown
- 20-Pin, 3 mm  $\times$  3 mm, WQFN Package

### 2 Applications

- DDR2, DDR3, DDR3L, LPDDR3, and DDR4 Memory Power Supplies
- SSTL\_18, SSTL\_15, SSTL\_135, and HSTL Termination

### 3 Description

The TPS51716 provides a complete power supply for DDR2, DDR3, DDR3L, LPDDR3, and DDR4 memory systems in the lowest total cost and minimum space. It integrates a synchronous buck regulator controller (VDDQ) with a 2-A sink/source tracking LDO (VTT) and buffered low noise reference (VTTREF). The TPS51716 employs D-CAP2 mode coupled with 500 kHz or 670 kHz operating frequencies that supports ceramic output capacitors without an external compensation circuit. The VTTREF tracks  $VDDQ/2$  with excellent 0.8% accuracy. The VTT, which provides 2-A sink/source peak current capabilities, requires only 10  $\mu$ F of ceramic capacitance. In addition, the device features a dedicated LDO supply input.

The TPS51716 provides rich, useful functions as well as excellent power supply performance. It supports flexible power state control, placing VTT at high-Z in S3 and discharging VDDQ, VTT and VTTREF (soft-off) in S4/S5 state. It includes programmable OCL with low-side MOSFET  $R_{DS(on)}$  sensing, OVP/UVP/UVLO and thermal shutdown protections.

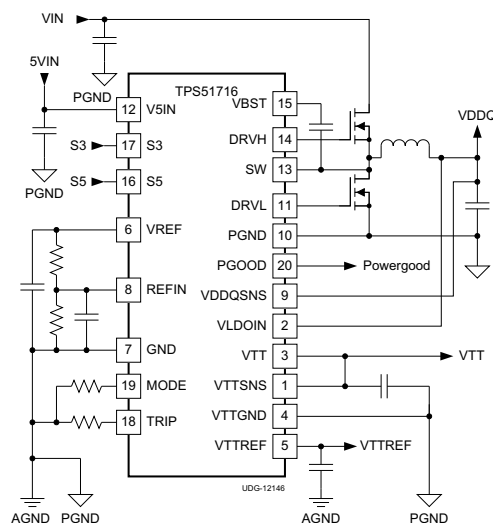
TI offers the TPS51716 in a 20-pin, 3 mm  $\times$  3 mm, WQFN package and specifies it for an ambient temperature range between  $-40^{\circ}\text{C}$  and  $85^{\circ}\text{C}$ .

#### Device Information<sup>(1)</sup>

| PART NUMBER | PACKAGE   | BODY SIZE (NOM)          |
|-------------|-----------|--------------------------|
| TPS51716    | WQFN (20) | 3.00 mm $\times$ 3.00 mm |

(1) For all available packages, see the orderable addendum at the end of the data sheet.

#### Block Diagram



Copyright © 2016, Texas Instruments Incorporated



## Table of Contents

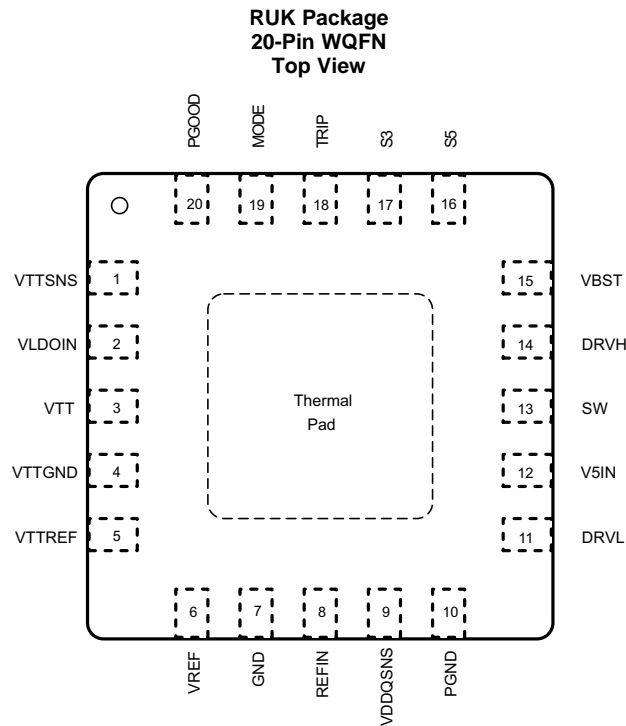
|  |           |  |           |
|--|-----------|--|-----------|
| <b>1 Features</b> .....                        | <b>1</b>  | 7.4 Device Functional Modes.....                 | <b>16</b> |
| <b>2 Applications</b> .....                    | <b>1</b>  | <b>8 Application and Implementation</b> .....    | <b>18</b> |
| <b>3 Description</b> .....                     | <b>1</b>  | 8.1 Application Information.....                 | <b>18</b> |
| <b>4 Revision History</b> .....                | <b>2</b>  | 8.2 Typical Application .....                    | <b>18</b> |
| <b>5 Pin Configuration and Functions</b> ..... | <b>3</b>  | <b>9 Power Supply Recommendations</b> .....      | <b>22</b> |
| <b>6 Specifications</b> .....                  | <b>4</b>  | <b>10 Layout</b> .....                           | <b>23</b> |
| 6.1 Absolute Maximum Ratings .....             | <b>4</b>  | 10.1 Layout Guidelines .....                     | <b>23</b> |
| 6.2 ESD Ratings.....                           | <b>4</b>  | 10.2 Layout Example .....                        | <b>24</b> |
| 6.3 Recommended Operating Conditions.....      | <b>5</b>  | <b>11 Device and Documentation Support</b> ..... | <b>25</b> |
| 6.4 Thermal Information .....                  | <b>5</b>  | 11.1 Device Support.....                         | <b>25</b> |
| 6.5 Electrical Characteristics.....            | <b>6</b>  | 11.2 Documentation Support .....                 | <b>25</b> |
| 6.6 Typical Characteristics .....              | <b>8</b>  | 11.3 Trademarks .....                            | <b>25</b> |
| <b>7 Detailed Description</b> .....            | <b>12</b> | 11.4 Electrostatic Discharge Caution.....        | <b>25</b> |
| 7.1 Overview .....                             | <b>12</b> | 11.5 Glossary .....                              | <b>25</b> |
| 7.2 Functional Block Diagram .....             | <b>12</b> | <b>12 Mechanical, Packaging, and Orderable</b>   |           |
| 7.3 Feature Description.....                   | <b>13</b> | <b>Information</b> .....                         | <b>25</b> |

## 4 Revision History

NOTE: Page numbers for previous revisions may differ from page numbers in the current version.

| <b>Changes from Original (October 2012) to Revision A</b>  | <b>Page</b> |
|--|-------------|
| • Added <i>ESD Ratings</i> table, <i>Detailed Description</i> section, <i>Application and Implementation</i> section, <i>Power Supply Recommendations</i> section, <i>Layout</i> section, <i>Device and Documentation Support</i> section, and <i>Mechanical, Packaging, and Orderable Information</i> section ..... | <b>1</b>    |
| • Updated the Title From: Complete DDR2, DDR3, DDR3L, and LPDDR3 Memory Power Solution To: Complete DDR2, DDR3, DDR3L, LPDDR3, and DDR4 Memory Power .....   | <b>1</b>    |
| • Changed <i>Applications</i> list From: DDR2/DDR3/DDR3L/LPDDR3 Memory Power Supplies To: DDR2, DDR3, DDR3L, LPDDR3, and DDR4 Memory Power Supplies .....  | <b>1</b>    |

## 5 Pin Configuration and Functions



### Pin Functions

| PIN         |     | I/O | DESCRIPTION  |
|-------------|-----|-----|--|
| NAME        | NO. |     |  |
| DRVH        | 14  | O   | High-side MOSFET gate driver output.   |
| DRVL        | 11  | O   | Low-side MOSFET gate driver output.  |
| GND         | 7   | —   | Signal ground.   |
| MODE        | 19  | I   | Connect resistor to GND to configure switching frequency, control mode and discharge mode. (See <a href="#">Table 2</a> )            |
| PGND        | 10  | —   | Gate driver power ground. $R_{DS(on)}$ current sensing input(+).   |
| PGOOD       | 20  | O   | Powergood signal open drain output. PGOOD goes high when VDDQ output voltage is within the target range.                             |
| REFIN       | 8   | I   | Reference input for VDDQ. Connect to the midpoint of a resistor divider from VREF to GND. Add a capacitor for stable operation.      |
| SW          | 13  | I/O | High-side MOSFET gate driver return. $R_{DS(on)}$ current sensing input(-).  |
| S3          | 17  | I   | S3 signal input. (See <a href="#">Table 1</a> )  |
| S5          | 16  | I   | S5 signal input. (See <a href="#">Table 1</a> )  |
| TRIP        | 18  | I   | Connect resistor to GND to set OCL at $V_{TRIP}/8$ . Output 10- $\mu$ A current at room temperature, $T_C = 4700$ ppm/ $^{\circ}$ C. |
| VBST        | 15  | I   | High-side MOSFET gate driver bootstrap voltage input. Connect a capacitor from the VBST pin to the SW pin.                           |
| VDDQSNS     | 9   | I   | VDDQ output voltage feedback. Reference input for VTTREF. Also serves as power supply for VTTREF.                                    |
| VLDOIN      | 2   | I   | Power supply input for VTT LDO. Connect VDDQ in typical application.   |
| VREF        | 6   | O   | 1.8-V reference output   |
| VTT         | 3   | O   | VTT 2-A LDO output. Need to connect 10 $\mu$ F or larger capacitance for stability.  |
| VTTGND      | 4   | —   | Power ground for VTT LDO   |
| VTTREF      | 5   | O   | Buffered VTT reference output. Need to connect 0.22 $\mu$ F or larger capacitance for stability.                                     |
| VTTSENS     | 1   | I   | VTT output voltage feedback.   |
| V5IN        | 12  | I   | 5-V power supply input for internal circuits and MOSFET gate drivers.  |
| Thermal pad | —   | —   | Thermal pad. Connect directly to system GND plane with multiple vias.  |

## 6 Specifications

### 6.1 Absolute Maximum Ratings

 over operating free-air temperature range (unless otherwise noted)<sup>(1)</sup>

|                                       |                          | MIN  | MAX | UNIT |
|---------------------------------------|--------------------------|------|-----|------|
| Input voltage <sup>(2)</sup>          | VBST                     | −0.3 | 36  | V    |
|                                       | VBST <sup>(3)</sup>      | −0.3 | 6   |      |
|                                       | SW                       | −5   | 30  |      |
|                                       | VLDOIN, VDDQSNS, REFIN   | −0.3 | 3.6 |      |
|                                       | VTTSENS                  | −0.3 | 3.6 |      |
|                                       | PGND, VTTGND             | −0.3 | 0.3 |      |
|                                       | V5IN, S3, S5, TRIP, MODE | −0.3 | 6   |      |
| Output voltage <sup>(2)</sup>         | DRVH                     | −5   | 36  | V    |
|                                       | DRVH <sup>(3)</sup>      | −0.3 | 6   |      |
|                                       | VTTREF, VREF             | −0.3 | 3.6 |      |
|                                       | VTT                      | −0.3 | 3.6 |      |
|                                       | DRVL                     | −0.3 | 6   |      |
|                                       | PGOOD                    | −0.3 | 6   |      |
| Junction temperature, T <sub>J</sub>  |                          |      | 125 | °C   |
| Storage temperature, T <sub>stg</sub> |                          | −55  | 150 | °C   |

(1) Stresses beyond those listed under *Absolute Maximum Ratings* may cause permanent damage to the device. These are stress ratings only and functional operation of the device at these or any other conditions beyond those indicated under *Recommended Operating Conditions* is not implied. Exposure to absolute-maximum-rated conditions for extended periods may affect device reliability.

(2) All voltage values are with respect to the network ground terminal unless otherwise noted.

(3) Voltage values are with respect to the SW terminal.

### 6.2 ESD Ratings

|                    |                         | VALUE  | UNIT  |
|--------------------|-------------------------|--|-------|
| V <sub>(ESD)</sub> | Electrostatic discharge | Human-body model (HBM), per ANSI/ESDA/JEDEC JS-001 <sup>(1)</sup>              | ±2000 |
|                    |                         | Charged-device model (CDM), per JEDEC specification JESD22-C101 <sup>(2)</sup> | ±500  |

(1) JEDEC document JEP155 states that 500-V HBM allows safe manufacturing with a standard ESD control process.

(2) JEDEC document JEP157 states that 250-V CDM allows safe manufacturing with a standard ESD control process.

### 6.3 Recommended Operating Conditions

|                      |                                | MIN  | NOM | MAX  | UNIT |
|----------------------|--------------------------------|------|-----|------|------|
| Supply voltage       | V5IN                           | 4.5  |     | 5.5  | V    |
| Input voltage range  | VBST                           | -0.1 |     | 33.5 | V    |
|                      | VBST <sup>(1)</sup>            | -0.1 |     | 5.5  |      |
|                      | SW                             | -3   |     | 28   |      |
|                      | SW <sup>(2)</sup>              | -4.5 |     | 28   |      |
|                      | VLDOIN, VDDQSNS, REFIN         | -0.1 |     | 3.5  |      |
|                      | VTTSENS                        | -0.1 |     | 3.5  |      |
|                      | PGND, VTTGND                   | -0.1 |     | 0.1  |      |
|                      | S3, S5, TRIP, MODE             | -0.1 |     | 5.5  |      |
| Output voltage range | DRVH                           | -3   |     | 33.5 | V    |
|                      | DRVH <sup>(1)</sup>            | -0.1 |     | 5.5  |      |
|                      | DRVH <sup>(2)</sup>            | -4.5 |     | 33.5 |      |
|                      | VTTREF, VREF                   | -0.1 |     | 3.5  |      |
|                      | VTT                            | -0.1 |     | 3.5  |      |
|                      | DRVL                           | -0.1 |     | 5.5  |      |
|                      | PGOOD                          | -0.1 |     | 5.5  |      |
| T <sub>A</sub>       | Operating free-air temperature | -40  |     | 85   | °C   |

(1) Voltage values are with respect to the SW terminal.

(2) This voltage should be applied for less than 30% of the repetitive period.

### 6.4 Thermal Information

| THERMAL METRIC <sup>(1)</sup> |  | TPS51716   |      |
|-------------------------------|--|------------|------|
|                               |  | RUK (WQFN) |      |
|                               |  | 20 PINS    |      |
|                               |  |            | UNIT |
| R <sub>θJA</sub>              | Junction-to-ambient thermal resistance       | 94.1       | °C/W |
| R <sub>θJC(top)</sub>         | Junction-to-case (top) thermal resistance    | 58.1       | °C/W |
| R <sub>θJB</sub>              | Junction-to-board thermal resistance         | 64.3       | °C/W |
| ψ <sub>JT</sub>               | Junction-to-top characterization parameter   | 31.8       | °C/W |
| ψ <sub>JB</sub>               | Junction-to-board characterization parameter | 58.0       | °C/W |
| R <sub>θJC(bot)</sub>         | Junction-to-case (bottom) thermal resistance | 5.9        | °C/W |

(1) For more information about traditional and new thermal metrics, see the [Semiconductor and IC Package Thermal Metrics](#) application report.

## 6.5 Electrical Characteristics

over operating free-air temperature range,  $V_{V5IN} = 5\text{ V}$ , VLDOIN is connected to VDDQ output,  $V_{MODE} = 0\text{ V}$ ,  $V_{S3} = V_{S5} = 5\text{ V}$  (unless otherwise noted)

| PARAMETER  |  | TEST CONDITIONS   | MIN    | TYP               | MAX    | UNIT          |
|--|--|---|--------|-------------------|--------|---------------|
| <b>SUPPLY CURRENT</b>                            |  |   |        |                   |        |               |
| $I_{V5IN(S0)}$                                   | V5IN supply current, in S0             | $T_A = 25^\circ\text{C}$ , No load, $V_{S3} = V_{S5} = 5\text{ V}$  |        | 590               |        | $\mu\text{A}$ |
| $I_{V5IN(S3)}$                                   | V5IN supply current, in S3             | $T_A = 25^\circ\text{C}$ , No load, $V_{S3} = 0\text{ V}$ , $V_{S5} = 5\text{ V}$   |        | 500               |        | $\mu\text{A}$ |
| $I_{V5INSDN}$                                    | V5IN shutdown current                  | $T_A = 25^\circ\text{C}$ , No load, $V_{S3} = V_{S5} = 0\text{ V}$  |        |                   | 1      | $\mu\text{A}$ |
| $I_{VLDOIN(S0)}$                                 | VLDOIN supply current, in S0           | $T_A = 25^\circ\text{C}$ , No load, $V_{S3} = V_{S5} = 5\text{ V}$  |        |                   | 5      | $\mu\text{A}$ |
| $I_{VLDOIN(S3)}$                                 | VLDOIN supply current, in S3           | $T_A = 25^\circ\text{C}$ , No load, $V_{S3} = 0\text{ V}$ , $V_{S5} = 5\text{ V}$   |        |                   | 5      | $\mu\text{A}$ |
| $I_{VLDOINSDN}$                                  | VLDOIN shutdown current                | $T_A = 25^\circ\text{C}$ , No load, $V_{S3} = V_{S5} = 0\text{ V}$  |        |                   | 5      | $\mu\text{A}$ |
| <b>VREF OUTPUT</b>                               |  |   |        |                   |        |               |
| $V_{VREF}$                                       | Output voltage                         | $I_{VREF} = 30\text{ }\mu\text{A}$ , $T_A = 25^\circ\text{C}$   |        | 1.8000            |        | V             |
|  |  | $0\text{ }\mu\text{A} \leq I_{VREF} < 300\text{ }\mu\text{A}$ , $T_A = -10^\circ\text{C}$ to $85^\circ\text{C}$                                 | 1.7856 |                   | 1.8144 |               |
|  |  | $0\text{ }\mu\text{A} \leq I_{VREF} < 300\text{ }\mu\text{A}$ , $T_A = -40^\circ\text{C}$ to $85^\circ\text{C}$                                 | 1.7820 |                   | 1.8180 |               |
| $I_{VREFOCL}$                                    | Current limit                          | $V_{VREF} = 1.7\text{ V}$   | 0.4    | 0.8               |        | mA            |
| <b>VTTREF OUTPUT</b>                             |  |   |        |                   |        |               |
| $V_{VTTREF}$                                     | Output voltage                         |   |        | $V_{VDDQSNS} / 2$ |        | V             |
| $V_{VTTREF}$                                     | Output voltage tolerance to $V_{VDDQ}$ | $ I_{VTTREF}  < 100\text{ }\mu\text{A}$ , $1.2\text{ V} \leq V_{VDDQSNS} \leq 1.8\text{ V}$   | 49.2%  |                   | 50.8%  |               |
|  |  | $ I_{VTTREF}  < 10\text{ mA}$ , $1.2\text{ V} \leq V_{VDDQSNS} \leq 1.8\text{ V}$   | 49%    |                   | 51%    |               |
| $I_{VTTREFOCLSRC}$                               | Source current limit                   | $V_{VDDQSNS} = 1.8\text{ V}$ , $V_{VTTREF} = 0\text{ V}$  | 10     | 18                |        | mA            |
| $I_{VTTREFOCLSNK}$                               | Sink current limit                     | $V_{VDDQSNS} = 1.8\text{ V}$ , $V_{VTTREF} = 1.8\text{ V}$  | 10     | 17                |        | mA            |
| $I_{VTTREFDIS}$                                  | VTTREF discharge current               | $T_A = 25^\circ\text{C}$ , $V_{S3} = V_{S5} = 0\text{ V}$ , $V_{VTTREF} = 0.5\text{ V}$   | 0.8    | 1.3               |        | mA            |
| <b>VTT OUTPUT</b>                                |  |   |        |                   |        |               |
| $V_{VTT}$  | Output voltage                         |   |        | $V_{VTTREF}$      |        | V             |
| $V_{VTTTOL}$                                     | Output voltage tolerance to VTTREF     | $ I_{VTT}  \leq 10\text{ mA}$ , $1.2\text{ V} \leq V_{VDDQSNS} \leq 1.8\text{ V}$ , $I_{VTTREF} = 0\text{ A}$                                   | -20    |                   | 20     | mV            |
|  |  | $ I_{VTT}  \leq 1\text{ A}$ , $1.2\text{ V} \leq V_{VDDQSNS} \leq 1.8\text{ V}$ , $I_{VTTREF} = 0\text{ A}$                                     | -30    |                   | 30     |               |
|  |  | $ I_{VTT}  \leq 2\text{ A}$ , $1.4\text{ V} \leq V_{VDDQSNS} \leq 1.8\text{ V}$ , $I_{VTTREF} = 0\text{ A}$                                     | -40    |                   | 40     |               |
|  |  | $ I_{VTT}  \leq 1.5\text{ A}$ , $1.2\text{ V} \leq V_{VDDQSNS} \leq 1.4\text{ V}$ , $I_{VTTREF} = 0\text{ A}$                                   | -40    |                   | 40     |               |
| $I_{VTTOCLSRC}$                                  | Source current limit                   | $V_{VDDQSNS} = 1.8\text{ V}$ , $V_{VTT} = V_{VTTSENS} = 0.7\text{ V}$ , $I_{VTTREF} = 0\text{ A}$   | 2      | 3                 |        | A             |
| $I_{VTTOCLSNK}$                                  | Sink current limit                     | $V_{VDDQSNS} = 1.8\text{ V}$ , $V_{VTT} = V_{VTTSENS} = 1.1\text{ V}$ , $I_{VTTREF} = 0\text{ A}$   | 2      | 3                 |        | A             |
| $I_{VTTLK}$                                      | Leakage current                        | $T_A = 25^\circ\text{C}$ , $V_{S3} = 0\text{ V}$ , $V_{S5} = 5\text{ V}$ , $V_{VTT} = V_{VTTREF}$   |        |                   | 5      | $\mu\text{A}$ |
| $I_{VTTSENSBIAS}$                                | VTTSENS input bias current             | $V_{S3} = 5\text{ V}$ , $V_{S5} = 5\text{ V}$ , $V_{VTTSENS} = V_{VTTREF}$  | -0.5   | 0.0               | 0.5    | $\mu\text{A}$ |
| $I_{VTTSENSLK}$                                  | VTTSENS leakage current                | $V_{S3} = 0\text{ V}$ , $V_{S5} = 5\text{ V}$ , $V_{VTTSENS} = V_{VTTREF}$  | -1     | 0                 | 1      | $\mu\text{A}$ |
| $I_{VTTDIS}$                                     | VTT Discharge current                  | $T_A = 25^\circ\text{C}$ , $V_{S3} = V_{S5} = 0\text{ V}$ , $V_{VDDQSNS} = 1.8\text{ V}$ , $V_{VTT} = 0.5\text{ V}$ , $I_{VTTREF} = 0\text{ A}$ |        | 7.8               |        | mA            |
| <b>VDDQ OUTPUT</b>                               |  |   |        |                   |        |               |
| $V_{VDDQSNS}$                                    | VDDQ sense voltage                     |   |        | $V_{REFIN}$       |        |               |
| $I_{VDDQSNS}$                                    | VDDQSNS input current                  | $V_{VDDQSNS} = 1.8\text{ V}$  |        | 39                |        | $\mu\text{A}$ |
| $I_{REFIN}$                                      | REFIN input current                    | $V_{REFIN} = 1.8\text{ V}$  | -0.1   | 0.0               | 0.1    | $\mu\text{A}$ |
| $I_{VDDQDIS}$                                    | VDDQ discharge current                 | $V_{S3} = V_{S5} = 0\text{ V}$ , $V_{VDDQSNS} = 0.5\text{ V}$ , non-tracking discharge mode   |        | 12                |        | mA            |
| $I_{VLDOINDIS}$                                  | VLDOIN discharge current               | $V_{S3} = V_{S5} = 0\text{ V}$ , $V_{VDDQSNS} = 0.5\text{ V}$ , tracking discharge mode   |        | 1.2               |        | A             |
| <b>SWITCH MODE POWER SUPPLY (SMPS) FREQUENCY</b> |  |   |        |                   |        |               |
| $f_{SW}$   | VDDQ switching frequency               | $V_{IN} = 12\text{ V}$ , $V_{VDDQSNS} = 1.8\text{ V}$ , $R_{MODE} = 1\text{ k}\Omega$   |        | 500               |        | kHz           |
|  |  | $V_{IN} = 12\text{ V}$ , $V_{VDDQSNS} = 1.8\text{ V}$ , $R_{MODE} = 12\text{ k}\Omega$  |        | 670               |        |               |
| $t_{ON(min)}$                                    | Minimum on time                        | DRVH rising to falling <sup>(1)</sup>   |        | 60                |        | ns            |
| $t_{OFF(min)}$                                   | Minimum off time                       | DRVH falling to rising  | 200    | 320               | 450    | ns            |
| <b>VDDQ MOSFET DRIVER</b>                        |  |   |        |                   |        |               |
| $R_{DRVH}$                                       | DRVH resistance                        | Source, $I_{DRVH} = -50\text{ mA}$  |        | 1.6               | 3      | $\Omega$      |
|  |  | Sink, $I_{DRVH} = 50\text{ mA}$   |        | 0.6               | 1.5    |               |
| $R_{DRVL}$                                       | DRVL resistance                        | Source, $I_{DRVL} = -50\text{ mA}$  |        | 0.9               | 2      | $\Omega$      |
|  |  | Sink, $I_{DRVL} = 50\text{ mA}$   |        | 0.5               | 1.2    |               |

(1) Specified by design. Not production tested.

## Electrical Characteristics (continued)

over operating free-air temperature range,  $V_{V5IN} = 5\text{ V}$ , VLDOIN is connected to VDDQ output,  $V_{MODE} = 0\text{ V}$ ,  $V_{S3} = V_{S5} = 5\text{ V}$  (unless otherwise noted)

| PARAMETER                     | TEST CONDITIONS  | MIN  | TYP  | MAX  | UNIT          |                       |
|-------------------------------|--|--|------|------|---------------|-----------------------|
| $t_{DEAD}$                    | Dead time  | DRVH-off to DRVL-on  | 10   |      | ns            |                       |
|                               |  | DRVL-off to DRVH-on  | 20   |      |               |                       |
| <b>INTERNAL BOOT STRAP SW</b> |  |  |      |      |               |                       |
| $V_{FBST}$                    | Forward voltage  | $V_{V5IN-VBST}$ , $T_A = 25^\circ\text{C}$ , $I_F = 10\text{ mA}$  | 0.1  | 0.2  | V             |                       |
| $I_{VBSTLK}$                  | VBST leakage current                                       | $T_A = 25^\circ\text{C}$ , $V_{VBST} = 33\text{ V}$ , $V_{SW} = 28\text{ V}$                                       | 0.01 | 1.5  | $\mu\text{A}$ |                       |
| <b>LOGIC THRESHOLD</b>        |  |  |      |      |               |                       |
| $I_{MODE}$                    | MODE source current  |  | 14   | 15   | 16            | $\mu\text{A}$         |
| $V_{THMODE}$                  | MODE threshold voltage                                     | MODE 0-1   | 109  | 129  | 149           | mV                    |
|                               |  | MODE 1-2   | 235  | 255  | 275           |                       |
|                               |  | MODE 2-3   | 392  | 412  | 432           |                       |
| $V_{IL}$                      | S3/S5 low-level voltage                                    |  |      | 0.5  | V             |                       |
| $V_{IH}$                      | S3/S5 high-level voltage                                   |  | 1.8  |      | V             |                       |
| $V_{IHYST}$                   | S3/S5 hysteresis voltage                                   |  | 0.25 |      | V             |                       |
| $I_{ILK}$                     | S3/S5 input leak current                                   |  | -1   | 0    | 1             | $\mu\text{A}$         |
| <b>SOFT START</b>             |  |  |      |      |               |                       |
| $t_{SS}$                      | VDDQ soft-start time                                       | Internal soft-start time, $C_{VREF} = 0.1\text{ }\mu\text{F}$ , S5 rising to $V_{VDDOSNS} > 0.99 \times V_{REFIN}$ |      | 1.1  |               | ms                    |
| <b>PGOOD COMPARATOR</b>       |  |  |      |      |               |                       |
| $V_{THPG}$                    | VDDQ PGOOD threshold                                       | PGOOD in from higher   | 106% | 108% | 110%          |                       |
|                               |  | PGOOD in from lower  | 90%  | 92%  | 94%           |                       |
|                               |  | PGOOD out to higher  | 114% | 116% | 118%          |                       |
|                               |  | PGOOD out to lower   | 82%  | 84%  | 86%           |                       |
| $I_{PG}$                      | PGOOD sink current   | $V_{PGOOD} = 0.5\text{ V}$   | 3    | 5.9  |               | mA                    |
| $t_{PGDLY}$                   | PGOOD delay time   | Delay for PGOOD in   | 0.8  | 1    | 1.2           | ms                    |
|                               |  | Delay for PGOOD out, with 100 mV over drive  |      | 330  |               | ns                    |
| $t_{PGSSDLY}$                 | PGOOD start-up delay                                       | $C_{VREF} = 0.1\text{ }\mu\text{F}$ , S5 rising to PGOOD rising  |      | 2.5  |               | ms                    |
| <b>PROTECTIONS</b>            |  |  |      |      |               |                       |
| $I_{TRIP}$                    | TRIP source current  | $T_A = 25^\circ\text{C}$ , $V_{TRIP} = 0.4\text{ V}$   | 9    | 10   | 11            | $\mu\text{A}$         |
| $TC_{ITRIP}$                  | TRIP source current temperature coefficient <sup>(1)</sup> |  |      | 4700 |               | ppm/ $^\circ\text{C}$ |
| $V_{TRIP}$                    | $V_{TRIP}$ voltage range                                   |  | 0.2  |      | 3             | V                     |
| $V_{OCL}$                     | Current limit threshold                                    | $V_{TRIP} = 3.0\text{ V}$  | 360  | 375  | 390           | mV                    |
|                               |  | $V_{TRIP} = 1.6\text{ V}$  | 190  | 200  | 210           |                       |
|                               |  | $V_{TRIP} = 0.2\text{ V}$  | 20   | 25   | 30            |                       |
| $V_{OCLN}$                    | Negative current limit threshold                           | $V_{TRIP} = 3.0\text{ V}$  | -390 | -375 | -360          | mV                    |
|                               |  | $V_{TRIP} = 1.6\text{ V}$  | -210 | -200 | -190          |                       |
|                               |  | $V_{TRIP} = 0.2\text{ V}$  | -30  | -25  | -20           |                       |
| $V_{ZC}$                      | Zero cross detection offset                                |  |      | 0    |               | mV                    |
| $V_{UVLO}$                    | V5IN UVLO threshold voltage                                | Wake-up  | 4.2  | 4.4  | 4.5           | V                     |
|                               |  | Shutdown   | 3.7  | 3.9  | 4.1           |                       |
| $V_{OVP}$                     | VDDQ OVP threshold voltage                                 | OVP detect voltage   | 118% | 120% | 122%          |                       |
| $t_{OVDPDY}$                  | VDDQ OVP propagation delay                                 | With 100 mV over drive   |      | 430  |               | ns                    |
| $V_{UVP}$                     | VDDQ UVP threshold voltage                                 | UVP detect voltage   | 66%  | 68%  | 70%           |                       |
| $t_{UVPDLY}$                  | VDDQ UVP delay   |  |      | 1    |               | ms                    |
| $t_{UVPENDLY}$                | VDDQ UVP enable delay                                      |  |      | 1.2  |               | ms                    |
| $V_{OOB}$                     | OOB Threshold voltage                                      |  |      | 108% |               |                       |
| <b>THERMAL SHUTDOWN</b>       |  |  |      |      |               |                       |
| $T_{SDN}$                     | Thermal shutdown threshold                                 | Shutdown temperature <sup>(1)</sup>  |      | 140  |               | $^\circ\text{C}$      |
|                               |  | Hysteresis <sup>(1)</sup>  |      | 10   |               |                       |

## 6.6 Typical Characteristics

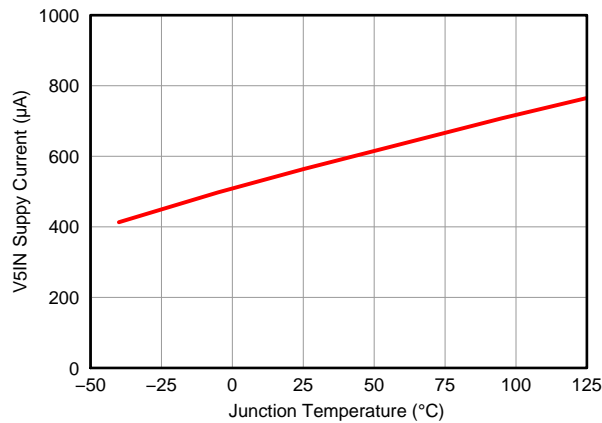


Figure 1. V5IN Supply Current vs Junction Temperature

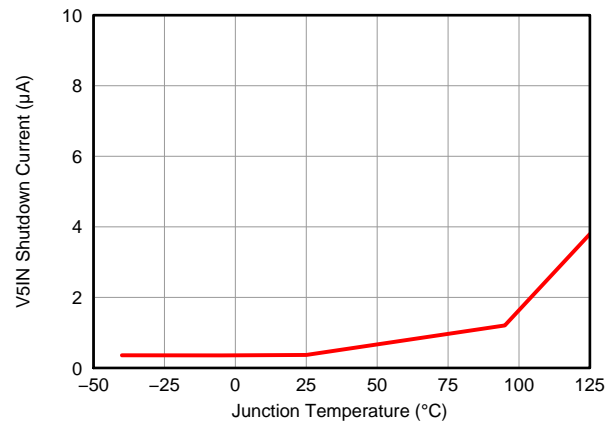


Figure 2. V5IN Shutdown Current vs Junction Temperature

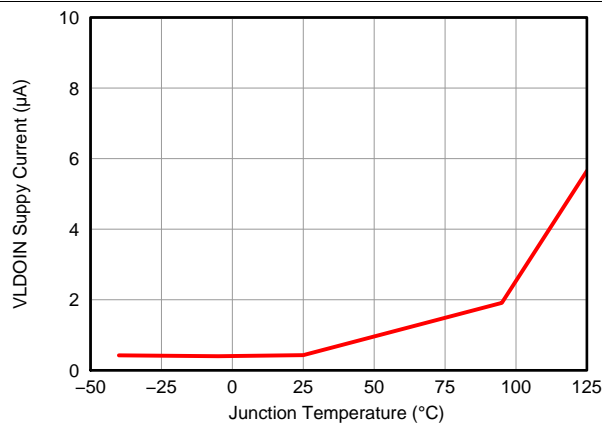


Figure 3. VLDOIN Supply Current vs Junction Temperature

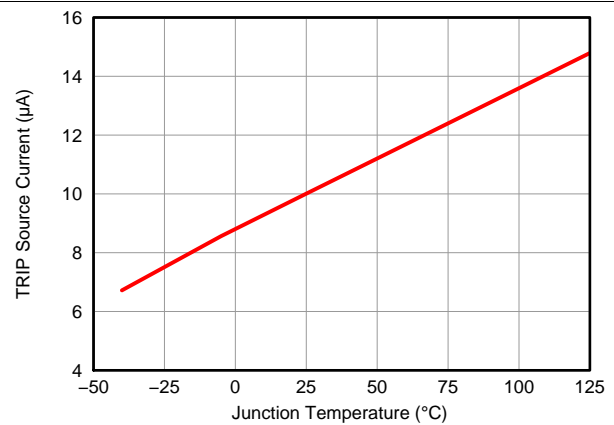


Figure 4. Current Sense Current vs Junction Temperature

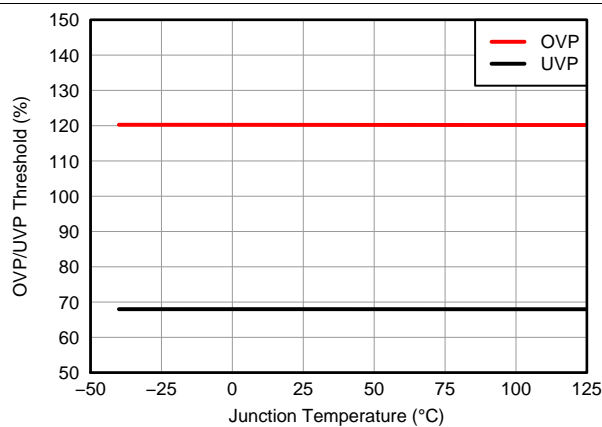


Figure 5. OVP/UVP Threshold vs Junction Temperature

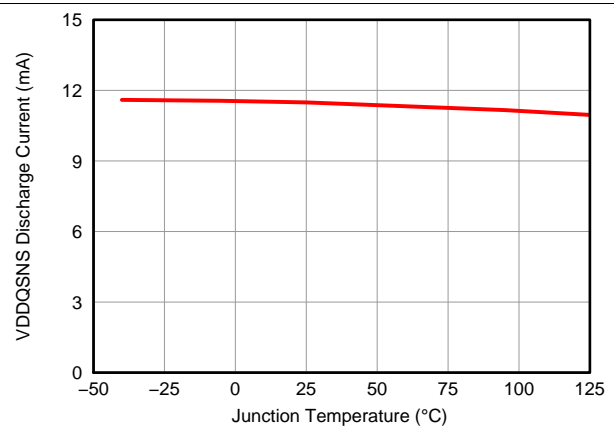


Figure 6. VDDQSNS Discharge Current vs Junction Temperature



Typical Characteristics (continued)

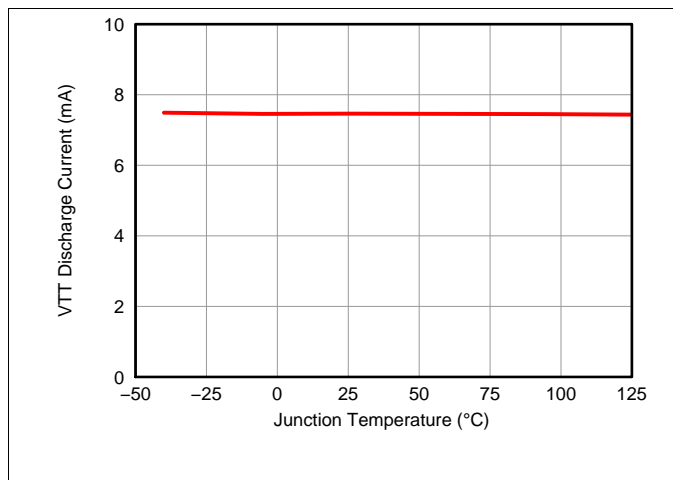


Figure 7. VTT Discharge Current vs Junction Temperature

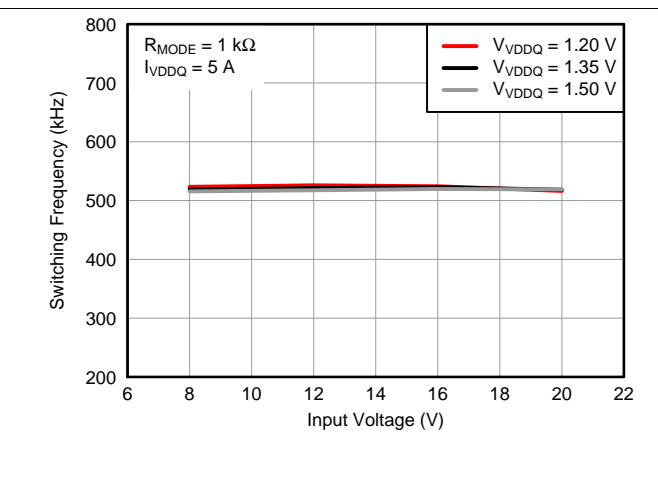


Figure 8. Switching Frequency vs Input Voltage

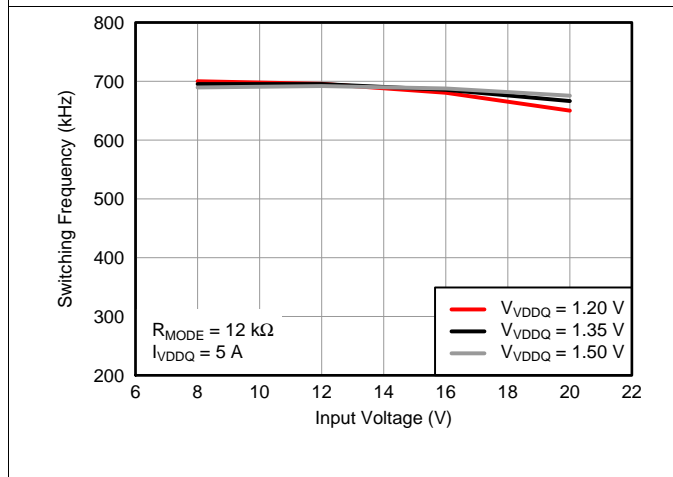


Figure 9. Switching Frequency vs Input Voltage

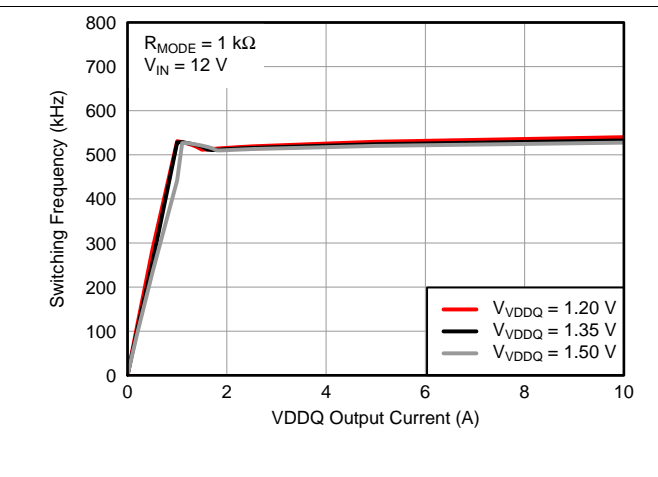


Figure 10. Switching Frequency vs Load Current

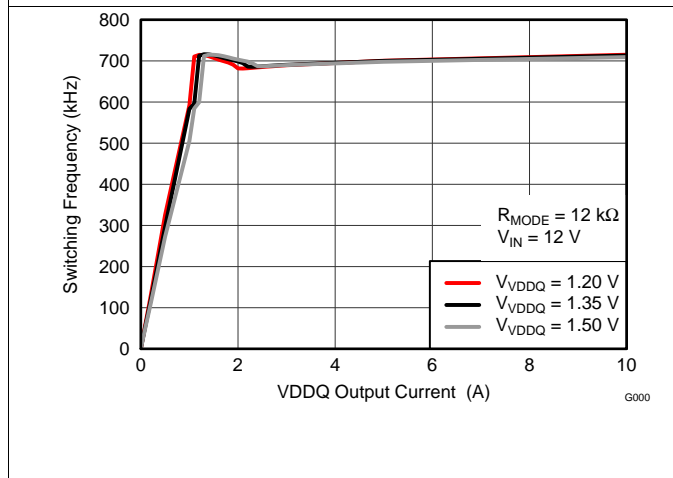


Figure 11. Switching Frequency vs Load Current

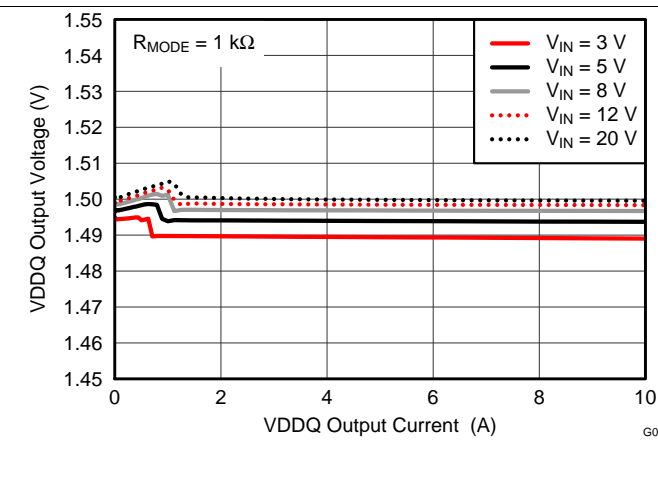


Figure 12. Load Regulation

Typical Characteristics (continued)

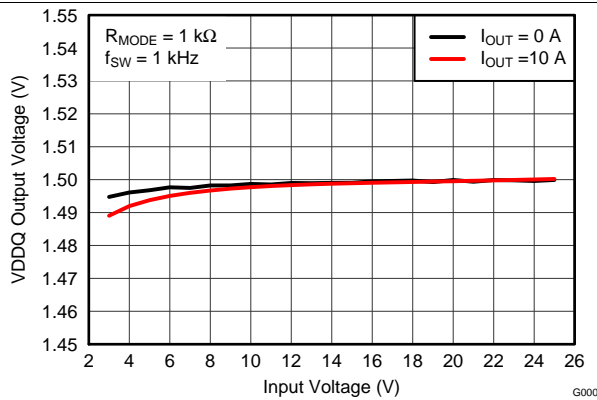


Figure 13. Line Regulation

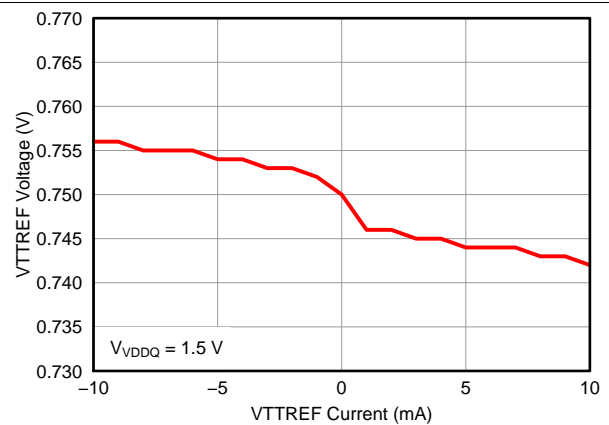


Figure 14. VTTREF Load Regulation

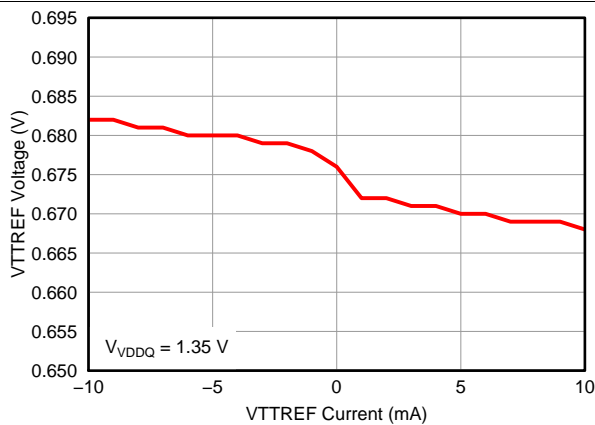


Figure 15. VTTREF Load Regulation

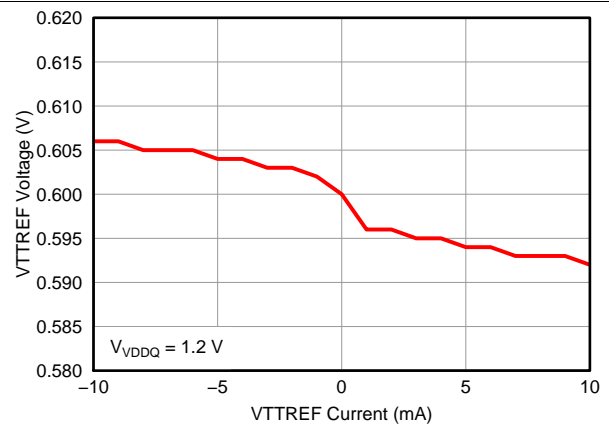


Figure 16. VTTREF Load Regulation

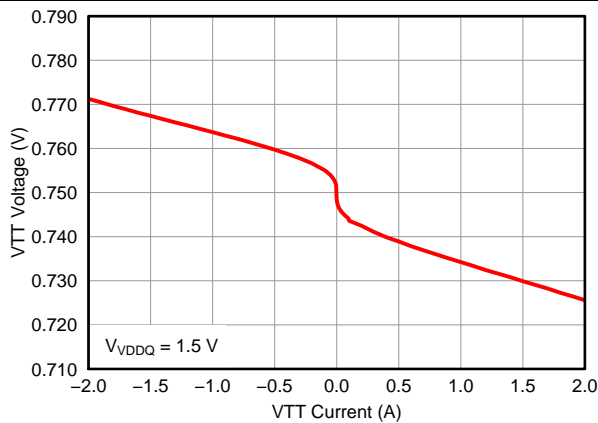


Figure 17. VTT Load Regulation

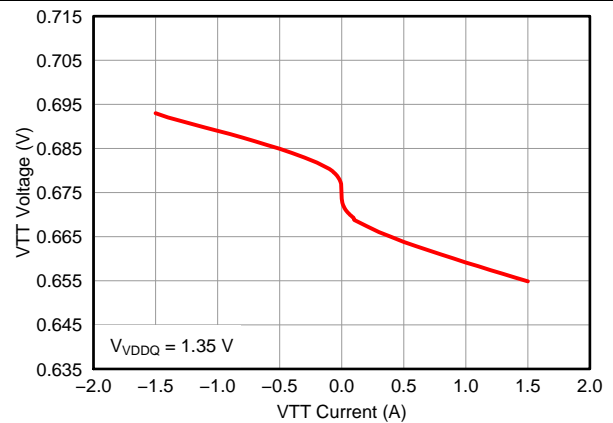


Figure 18. VTT Load Regulation

Typical Characteristics (continued)

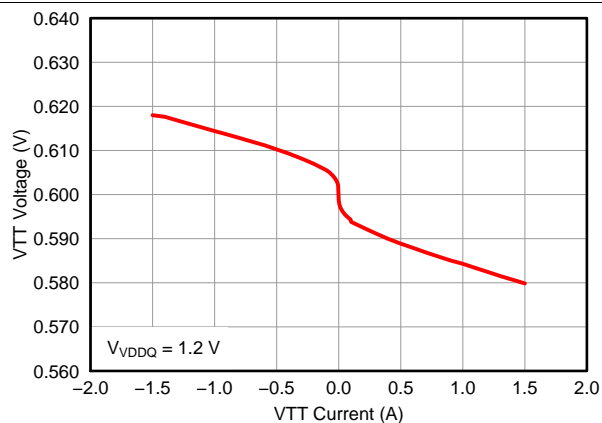


Figure 19. VTT Load Regulation

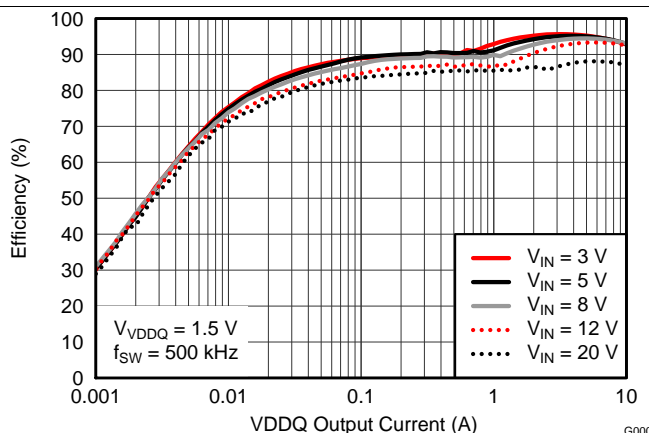


Figure 20. Efficiency

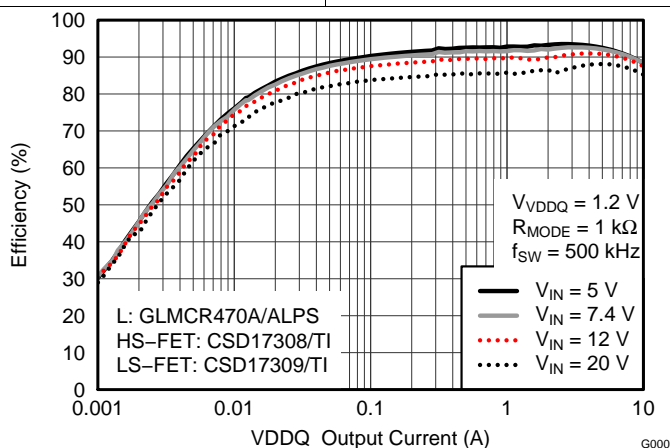


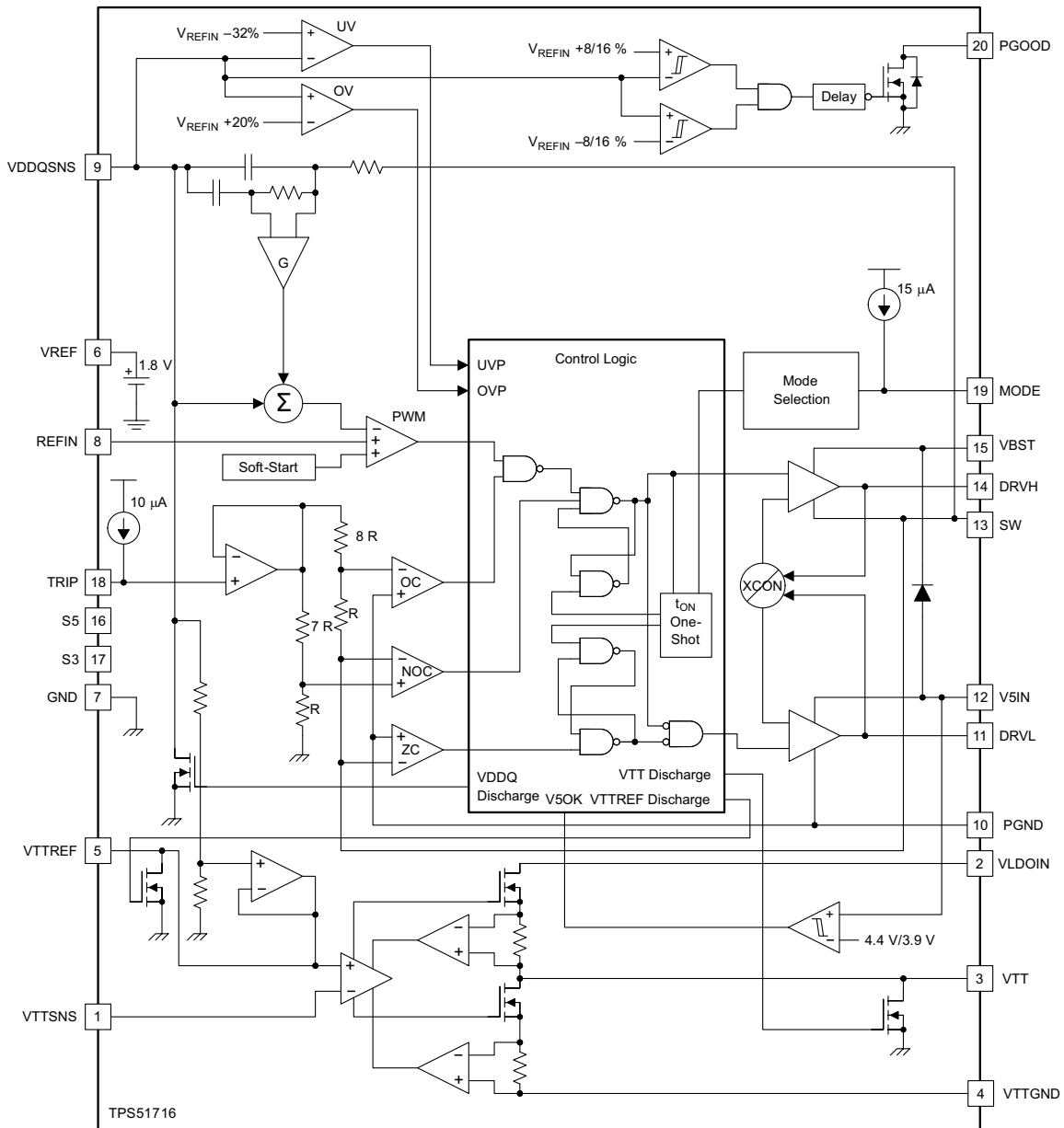
Figure 21. Efficiency

## 7 Detailed Description

### 7.1 Overview

The TPS51716 provides a complete power supply for DDR2, DDR3, DDR3L, LPDDR3, and DDR4 memory systems in the lowest total cost and minimum space. It integrates a synchronous buck regulator controller (VDDQ) with a 2-A sink/source tracking LDO (VTT) and buffered low noise reference (VTTREF). The TPS51716 employs D-CAP2 mode coupled with 500 kHz or 670 kHz operating frequencies that supports ceramic output capacitors without an external compensation circuit. The VTTREF tracks VDDQ/2 with excellent 0.8% accuracy. The VTT, which provides 2-A sink/source peak current capabilities, requires only 10- $\mu$ F of ceramic capacitance. In addition, the device features a dedicated LDO supply input.

### 7.2 Functional Block Diagram



UDG-12151  
Copyright © 2016, Texas Instruments Incorporated

### 7.3 Feature Description

#### 7.3.1 VDDQ Switch Mode Power Supply Control

The TPS51716 supports D-CAP2 mode, which does not require complex external compensation networks and are suitable for designs with small external components counts. The D-CAP2 mode is dedicated for a configuration with very low ESR output capacitors such as multi-layer ceramic capacitors (MLCC). An adaptive on-time control scheme is used to achieve pseudo-constant frequency. The TPS51716 adjusts the on-time ( $t_{ON}$ ) to be inversely proportional to the input voltage ( $V_{IN}$ ) and proportional to the output voltage ( $V_{VDDQ}$ ). This produces a switching frequency that is approximately constant over the variation of input voltage at the steady state condition.

#### 7.3.2 VREF and REFIN, VDDQ Output Voltage

The part provides a 1.8-V,  $\pm 0.8\%$  accurate, voltage reference from VREF. This output has a 300- $\mu$ A (max) current capability to drive the REFIN input voltage through a voltage divider circuit. A capacitor with a value of 0.1- $\mu$ F or larger should be attached close to the VREF terminal.

The VDDQ switch-mode power supply (SMPS) output voltage is defined by REFIN voltage, within the range between 0.7 V and 1.8 V, programmed by the resistor-divider connected between VREF and GND. (See [External Components Selection](#) section.) A few nano farads of capacitance from REFIN to GND is recommended for stable operation.

#### 7.3.3 Soft-Start and Powergood

Provide a voltage supply to VIN and V5IN before asserting S5 to high. TPS51716 provides integrated VDDQ soft-start functions to suppress in-rush current at start-up. The soft-start is achieved by controlling internal reference voltage ramping up. [Figure 22](#) shows the start-up waveforms. The switching regulator waits for 400 $\mu$ s after S5 assertion. The MODE pin voltage is read in this period. A typical VDDQ ramp up duration is 700 $\mu$ s.

TPS51716 has a powergood open-drain output that indicates the VDDQ voltage is within the target range. The target voltage window and transition delay times of the PGOOD comparator are  $\pm 8\%$  (typ) and 1-ms delay for assertion (low to high), and  $\pm 16\%$  (typ) and 330-ns delay for de-assertion (high to low) during running. The PGOOD start-up delay is 2.5 ms after S5 is asserted to high. Note that the time constant which is composed of the REFIN capacitor and a resistor divider needs to be short enough to reach the target value before PGOOD comparator enabled.

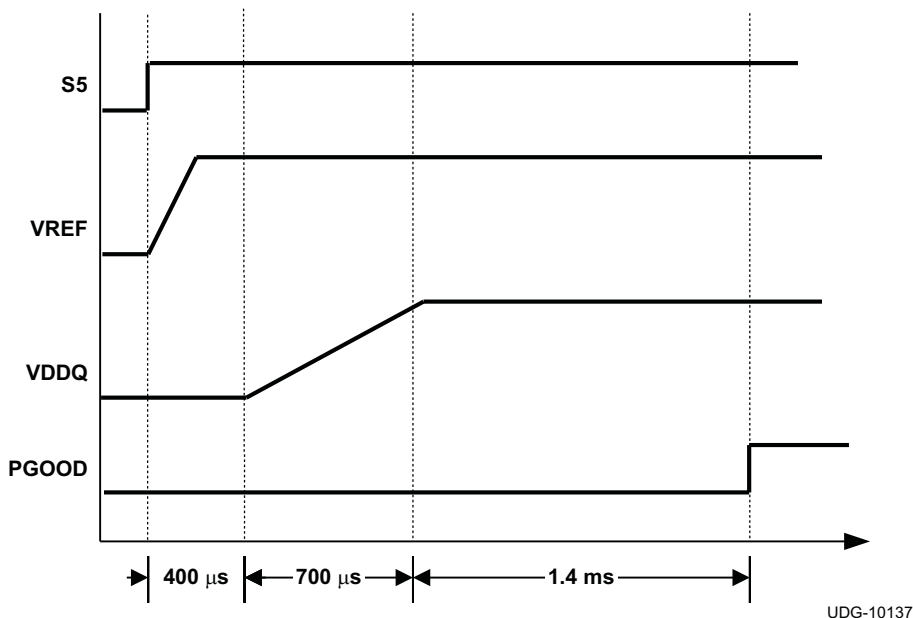


Figure 22. Typical Start-Up Waveforms

## Feature Description (continued)

### 7.3.4 Power State Control

The TPS51716 has two input pins, S3 and S5, to provide simple control scheme of power state. All of VDDQ, VTTREF and VTT are turned on at S0 state (S3=S5=high). In S3 state (S3=low, S5=high), VDDQ and VTTREF voltages are kept on while VTT is turned off and left at high impedance state (high-Z). The VTT output floats and does not sink or source current in this state. In S4/S5 states (S3=S5=low), all of the three outputs are turned off and discharged to GND according to the discharge mode selected by MODE pin. Each state code represents as follow; S0 = full ON, S3 = suspend to RAM (STR), S4 = suspend to disk (STD), S5 = soft OFF. (See [Table 1](#).)

**Table 1. S3/S5 Power State Control**

| STATE | S3 | S5 | VREF | VDDQ            | VTTREF          | VTT             |
|-------|----|----|------|-----------------|-----------------|-----------------|
| S0    | HI | HI | ON   | ON              | ON              | ON              |
| S3    | LO | HI | ON   | ON              | ON              | OFF (High-Z)    |
| S4/S5 | LO | LO | OFF  | OFF (Discharge) | OFF (Discharge) | OFF (Discharge) |

### 7.3.5 VDDQ Overvoltage and Undervoltage Protection

The TPS51716 sets the overvoltage protection (OVP) when VDDQSNS voltage reaches a level 20% (typ) higher than the REFIN voltage. When an OV event is detected, the controller changes the output target voltage to 0 V. This usually turns off DRVH and forces DRVL to be on. When the inductor current begins to flow through the low-side MOSFET and reaches the negative OCL, DRVL is turned off and DRVH is turned on, for a minimum on-time.

After the minimum on-time expires, DRVH is turned off and DRVL is turned on again. This action minimizes the output node undershoot due to LC resonance. When the VDDQSNS reaches 0 V, the driver output is latched as DRVH off, DRVL on. VTTREF and VTT are turned off and discharged using the non-tracking discharge MOSFETs regardless of the tracking mode.

The undervoltage protection (UVP) latch is set when the VDDQSNS voltage remains lower than 68% (typ) of the REFIN voltage for 1 ms or longer. In this fault condition, the controller latches DRVH low and DRVL low and discharges the VDDQ, VTT and VTTREF outputs. UVP detection function is enabled after 1.2 ms of SMPS operation to ensure startup.

To release the OVP and UVP latches, toggle S5 or adjust the V5IN voltage down and up beyond the undervoltage lockout threshold.

### 7.3.6 VDDQ Out-of-Bound Operation

When the output voltage rises to 8% above the target value, the out-of-bound operation starts. During the out-of-bound condition, the controller operates in forced PWM-only mode. Turning on the low-side MOSFET beyond the zero inductor current quickly discharges the output capacitor. During this operation, the cycle-by-cycle negative overcurrent limit is also valid. Once the output voltage returns to within regulation range, the controller resumes to auto-skip mode.

### 7.3.7 VDDQ Overcurrent Protection

The VDDQ SMPS has cycle-by-cycle overcurrent limiting protection. The inductor current is monitored during the off-state using the low-side MOSFET  $R_{DS(on)}$ , and the controller maintains the off-state when the inductor current is larger than the overcurrent trip level. The current monitor circuit inputs are PGND and SW pins so that those should be properly connected to the source and drain terminals of low-side MOSFET. The overcurrent trip level,  $V_{OCTRIP}$ , is determined by [Equation 1](#), where  $R_{TRIP}$  is the value of the resistor connected between the TRIP pin and GND, and  $I_{TRIP}$  is the current sourced from the TRIP pin.  $I_{TRIP}$  is 10  $\mu$ A typically at room temperature, and has 4700ppm/ $^{\circ}$ C temperature coefficient to compensate the temperature dependency of the low-side MOSFET  $R_{DS(on)}$ .

$$V_{OCTRIP} = R_{TRIP} \times \frac{I_{TRIP}}{8} \quad (1)$$

Because the comparison is done during the off-state,  $V_{OCTRIP}$  sets the valley level of the inductor current. The load current OCL level,  $I_{OCL}$ , can be calculated by considering the inductor ripple current as shown in [Equation 2](#).

$$I_{OCL} = \left( \frac{V_{OCTRIP}}{R_{DS(on)}} \right) + \frac{I_{IND(ripple)}}{2} = \left( \frac{V_{OCTRIP}}{R_{DS(on)}} \right) + \frac{1}{2} \times \frac{V_{IN} - V_{OUT}}{L_X} \times \frac{V_{OUT}}{f_{SW} \times V_{IN}}$$

where

- $I_{IND(ripple)}$  is inductor ripple current (2)

In an overcurrent condition, the current to the load exceeds the current to the output capacitor, thus the output voltage tends to fall down. Eventually, it crosses the undervoltage protection threshold and shuts down.

### 7.3.8 VTT and VTTREF

TPS51716 integrates two high performance, low-dropout linear regulators, VTT and VTTREF, to provide complete DDR2, DDR3, DDR3L, LPDDR3, and DDR4 power solutions. The VTTREF has a 10-mA sink/source current capability, and tracks ½ of VDDQSNS with ±1% accuracy using an on-chip ½ divider. A 0.22-µF (or larger) ceramic capacitor must be connected close to the VTTREF terminal to ensure stable operation. The VTT responds quickly to track VTTREF within ±40 mV at all conditions, and the current capability is 2 A for both sink and source. A 10-µF (or larger) ceramic capacitor(s) need to be connected close to the VTT terminal for stable operation. To achieve tight regulation with minimum effect of wiring resistance, a remote sensing terminal, VTTSNS, should be connected to the positive node of VTT output capacitor(s) as a separate trace from the high-current line to the VTT pin. (Refer to the [Layout Guidelines](#) section for details.)

When VTT is not required in the design, the following treatment is strongly recommended.

- Connect VLDOIN to VDDQ.
- Tie VTTSNS to VTT, and remove capacitors from VTT to float.
- Connect VTTGND to GND.
- Select MODE2, 3, 4, or 5 shown in [Table 2](#) (Select Non-tracking discharge mode).
- Maintain a 0.22-µF capacitor connected at VTTREF.
- Pull down S3 to GND with 1-kΩ resistance.

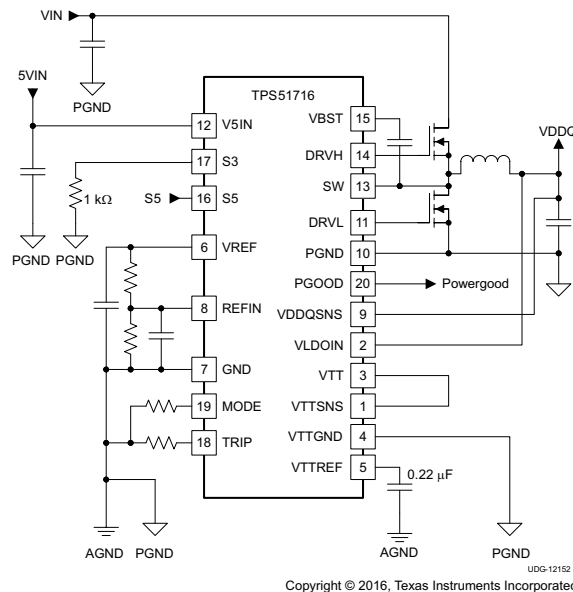


Figure 23. Application Circuit When VTT is not Required

### 7.3.9 VTT Overcurrent Protection

The LDO has an internally fixed constant overcurrent limiting of 3-A (typ) for both sink and source operation.

#### 7.3.10 V5IN Undervoltage Lockout (UVLO) Protection

The TPS51716 has a 5-V supply UVLO protection threshold. When the V5IN voltage is lower than UVLO threshold voltage, typically 3.9 V, VDDQ, VTT, and VTTREF are shut off. This is a non-latch protection.

#### 7.3.11 Thermal Shutdown

The TPS51716 includes an internal temperature monitor. If the temperature exceeds the threshold value, 140°C (typ), VDDQ, VTT, and VTTREF are shut off. The state of VDDQ is open, and that of VTT and VTTREF are high impedance (high-Z) at thermal shutdown. The discharge functions of all outputs are disabled. This is a non-latch protection and the operation is restarted with soft-start sequence when the device temperature is reduced by 10°C (typ).

## 7.4 Device Functional Modes

### 7.4.1 MODE Pin Configuration

The TPS51716 reads the MODE pin voltage when the S5 signal is raised high and stores the status in a register. A 15- $\mu$ A current is sourced from the MODE pin during this time to read the voltage across the resistor connected between the pin and GND. [Table 2](#) shows resistor values, corresponding control mode, switching frequency and discharge mode configurations.

**Table 2. MODE Selection**

| MODE NO. | RESISTANCE BETWEEN MODE AND GND (k $\Omega$ ) | CONTROL MODE | SWITCHING FREQUENCY (kHz) | DISCHARGE MODE |
|----------|---|--------------|---------------------------|----------------|
| 3        | 33  | D-CAP2       | 500                       | Non-Tracking   |
| 2        | 22  |              | 670                       |                |
| 1        | 12  |              | 670                       | Tracking       |
| 0        | 1   |              | 500                       |                |

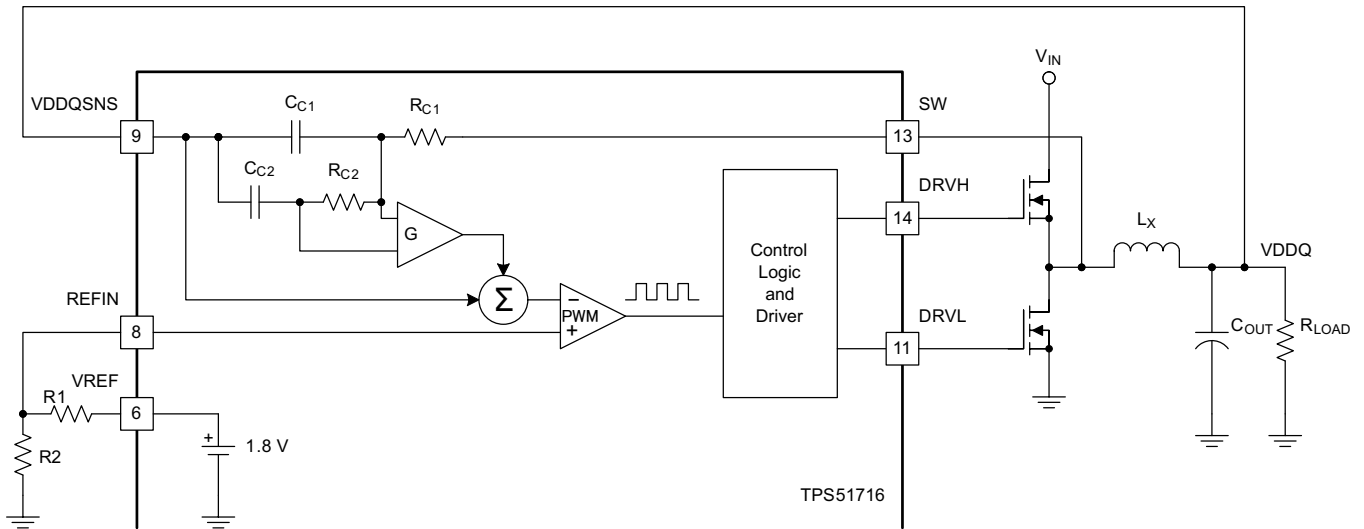
### 7.4.2 Discharge Control

In S4/S5 state, VDDQ, VTT, and VTTREF outputs are discharged based on the respective discharge mode selected above. The tracking discharge mode discharges VDDQ output through the internal VTT regulator transistors enabling quick 13 ms discharge operation. The VTT output maintains tracking of the VTTREF voltage in this mode. (Please refer to [Figure 28](#)) After 4 ms of tracking discharge operation, the mode changes to non-tracking discharge. The VDDQ output must be connected to the VLDOIN pin in this mode. The non-tracking mode discharges the VDDQ and VTT pins using internal MOSFETs that are connected to corresponding output terminals. The non-tracking discharge is slow compared with the tracking discharge due to the lower current capability of these MOSFETs. Refer to [Figure 29](#).



### 7.4.3 D-CAP2 Mode Operation

Figure 24 shows simplified model of D-CAP2 architecture.



Copyright © 2016, Texas Instruments Incorporated

Figure 24. Simplified Modulator Using D-CAP2 Mode

The D-CAP2 mode in the TPS51716 includes an internal feedback network enabling the use of very low ESR output capacitor(s) such as multi-layer ceramic capacitors. The role of the internal network is to sense the ripple component of the inductor current information and combine it with voltage feedback signal. Using  $R_{C1} = R_{C2} \equiv R_C$  and  $C_{C1} = C_{C2} \equiv C_C$ , 0-dB frequency of the D-CAP2 mode is given by Equation 3. It is recommended that the 0-dB frequency ( $f_0$ ) be lower than 1/3 of the switching frequency to secure the proper phase margin.

$$f_0 = \frac{R_C \times C_C}{2\pi \times G \times L_X \times C_{OUT}} \leq \frac{f_{SW}}{3}$$

where

- G is gain of the amplifier which amplifies the ripple current information generated by the compensation circuit (3)

The typical G value is 0.25, and typical  $R_C C_C$  time constant values for 500 kHz and 670 kHz operation are 23  $\mu$ s and 14.6  $\mu$ s, respectively.

For example, when  $f_{SW}=500$  kHz and  $L_X=1$   $\mu$ H,  $C_{OUT}$  should be larger than 88  $\mu$ F.

When selecting the capacitor, pay attention to its characteristics. For MLCC use X5R or better dielectric and consider the derating of the capacitance by both DC bias and AC bias. When derating by DC bias and AC bias are 80% and 50%, respectively, the effective derating is 40% because  $0.8 \times 0.5 = 0.4$ . The capacitance of specialty polymer capacitors may change depending on the operating frequency. Consult capacitor manufacturers for specific characteristics.

### 7.4.4 Light-Load Operation

In auto-skip mode, the TPS51716 SMPS control logic automatically reduces its switching frequency to improve light-load efficiency. To achieve this intelligence, a zero cross detection comparator is used to prevent negative inductor current by turning off the low-side MOSFET. Equation 4 shows the boundary load condition of this skip mode and continuous conduction operation.

$$I_{LOAD(LL)} = \frac{(V_{IN} - V_{OUT})}{2 \times L_X} \times \frac{V_{OUT}}{V_{IN}} \times \frac{1}{f_{SW}} \quad (4)$$

## 8 Application and Implementation

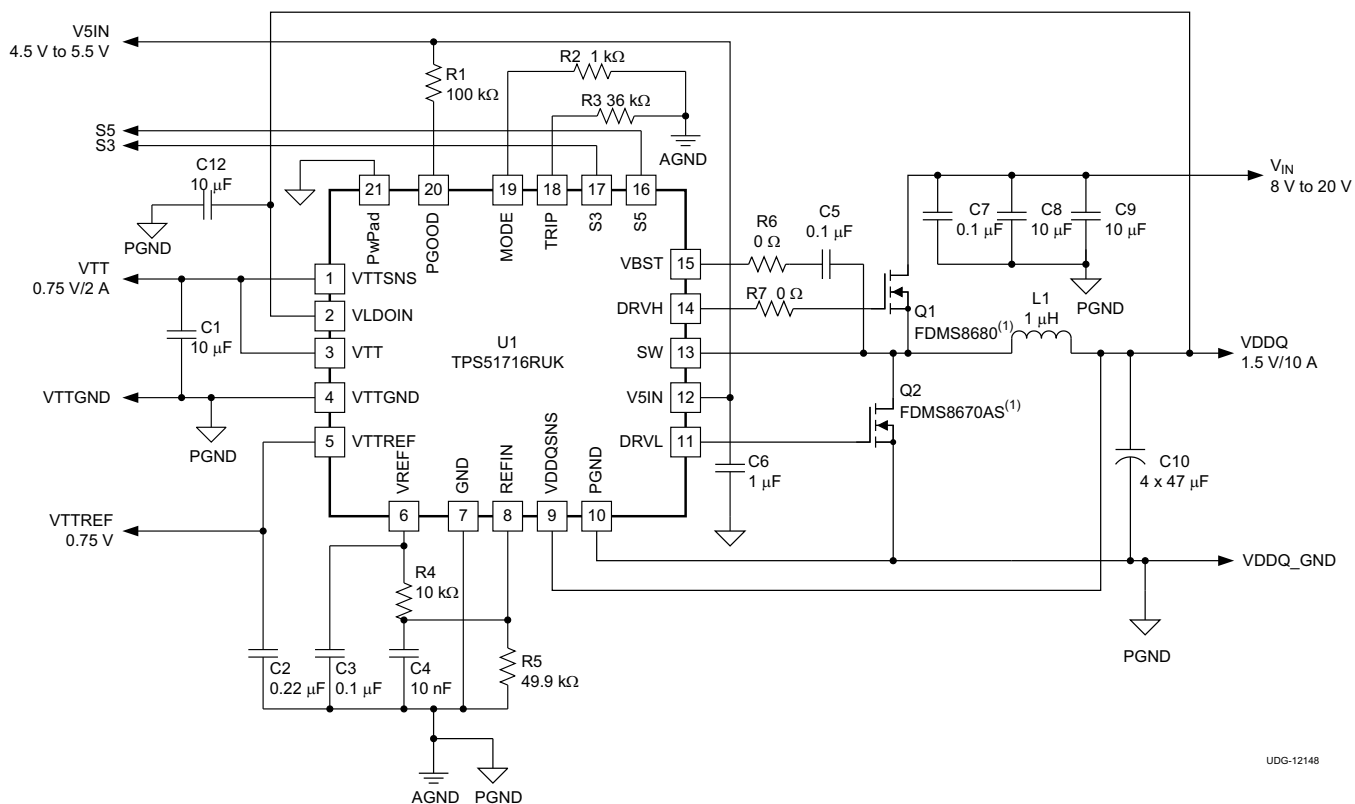
### NOTE

Information in the following applications sections is not part of the TI component specification, and TI does not warrant its accuracy or completeness. TI's customers are responsible for determining suitability of components for their purposes. Customers should validate and test their design implementation to confirm system functionality.

### 8.1 Application Information

TPS51716 is typically used as step down converters, which converts a voltage from 3V- 28V to 0.7 V to 1.8 V output voltage and provide a total solution to memory system.

### 8.2 Typical Application



Copyright © 2016, Texas Instruments Incorporated

(1) TI NexFET™ power MOSFETs are available and can be used in this application. Please contact your local TI representative.

Figure 25. DDR3, DCAP-2 500-kHz Application Circuit, Tracking Discharge

Table 3. DDR3, DCAP-2 500-kHz Application Circuit, List of Materials

| REFERENCE DESIGNATOR | QTY | SPECIFICATION        | MANUFACTURE | PART NUMBER    |
|----------------------|-----|----------------------|-------------|----------------|
| C8, C9               | 2   | 10 µF, 25 V          | Taiyo Yuden | TMK325BJ106MM  |
| C10                  | 4   | 47 µF, 6.3 V         | TDK         | C2012X5R0J476M |
| L1                   | 1   | 1 µH, 18.5 A, 2.3 mΩ | NEC Tokin   | MPC1055L1R0C   |
| Q1                   | 1   | 30 V, 35 A, 8.5 mΩ   | Fairchild   | FDMS8680       |
| Q2                   | 1   | 30 V, 42 A, 3.5 mΩ   | Fairchild   | FDMS8670AS     |

## 8.2.1 Design Requirements

To begin the design process, the user must know a few application parameters (see [Table 4](#)).

**Table 4. Design Parameters**

| PARAMETER                           | EXAMPLE VALUE              |
|-------------------------------------|----------------------------|
| Input voltage range                 | 8 to 20 V                  |
| Output voltage                      | 1.5 V                      |
| Transient response, 1.5-A load step | $\Delta V_{out} = \pm 5\%$ |
| Input ripple voltage                | 400 mV                     |
| Output ripple voltage               | 40 mV                      |
| Output current rating               | 10A                        |
| Operating frequency                 | 670 kHz/ 500 kHz           |

## 8.2.2 Detailed Design Procedure

The following design procedure can be used to select component values for the TPS51716.

### 8.2.2.1 External Components Selection

The external components selection is a simple process.

1. Determine the value of R1 and R2

The output voltage is determined by the value of the voltage-divider resistor, R1 and R2. R1 is connected between VREF and REFIN pins, and R2 is connected between the REFIN pin and GND. Setting R1 to 10-k $\Omega$  is a good starting point. Determine R2 using [Equation 5](#).

$$R2 = \frac{R1}{\left( \frac{1.8}{V_{OUT} - \frac{V_{OUT(ripple)}}{2}} \right) - 1} \quad (5)$$

For an application using organic semiconductor capacitor(s) or specialty polymer capacitor(s) for the output capacitor(s), the output voltage ripple can be calculated as shown in [Equation 6](#).

$$V_{OUT(ripple)} = I_{IND(ripple)} \times ESR \quad (6)$$

For an application using ceramic capacitor(s) as the output capacitor(s), the output voltage ripple can be calculated as shown in [Equation 7](#).

$$V_{OUT(ripple)} = \frac{I_{IND(ripple)}}{8 \times C_{OUT} \times f_{SW}} \quad (7)$$

2. Choose the inductor

The inductance value should be determined to yield a ripple current of approximately  $\frac{1}{4}$  to  $\frac{1}{2}$  of maximum output current. Larger ripple current increases output ripple voltage and improves the signal-to-noise ratio and helps stable operation.

$$L_X = \frac{1}{I_{IND(ripple)} \times f_{SW}} \times \frac{(V_{IN(max)} - V_{OUT}) \times V_{OUT}}{V_{IN(max)}} = \frac{3}{I_{O(max)} \times f_{SW}} \times \frac{(V_{IN(max)} - V_{OUT}) \times V_{OUT}}{V_{IN(max)}} \quad (8)$$

The inductor needs a low direct current resistance (DCR) to achieve good efficiency, as well as enough room above peak inductor current before saturation. The peak inductor current can be estimated in [Equation 9](#).

$$I_{IND(peak)} = \frac{R_{TRIP} \times I_{TRIP}}{8 \times R_{DS(on)}} + \frac{1}{L \times f_{SW}} \times \frac{(V_{IN(max)} - V_{OUT}) \times V_{OUT}}{V_{IN(max)}} \quad (9)$$

3. Choose the OCL setting resistance,  $R_{TRIP}$ 

 Combining [Equation 1](#) and [Equation 2](#),  $R_{TRIP}$  can be obtained using [Equation 10](#).

$$R_{TRIP} = \frac{8 \times \left( I_{OCL} - \left( \frac{(V_{IN} - V_{OUT})}{(2 \times L_X)} \right) \times \frac{V_{OUT}}{(f_{SW} \times V_{IN})} \right) \times R_{DS(on)}}{I_{TRIP}} \quad (10)$$

## 4. Choose the output capacitors

 Determine output capacitance to meet small signal stability as shown in [Equation 11](#).

$$\frac{R_C \times C_C}{2\pi \times G \times L_X \times C_{OUT}} \leq \frac{f_{SW}}{3}$$

where

- $R_C \times C_C$  time constant is 23  $\mu$ s for 500 kHz operation (or 14.6  $\mu$ s for 670-kHz operation)
- $G = 0.25$

(11)

8.2.3 Application Curves

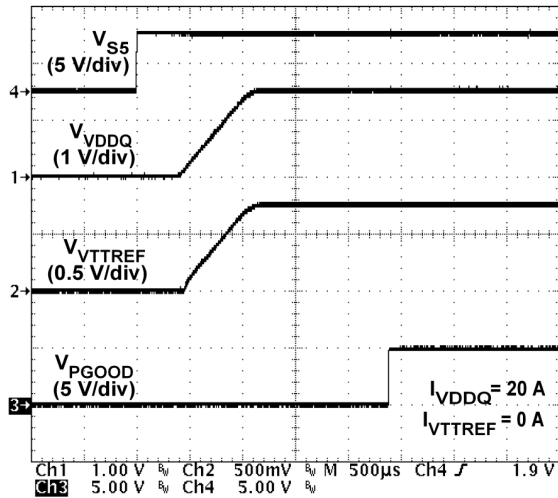


Figure 26. 1.5-V Startup Waveforms

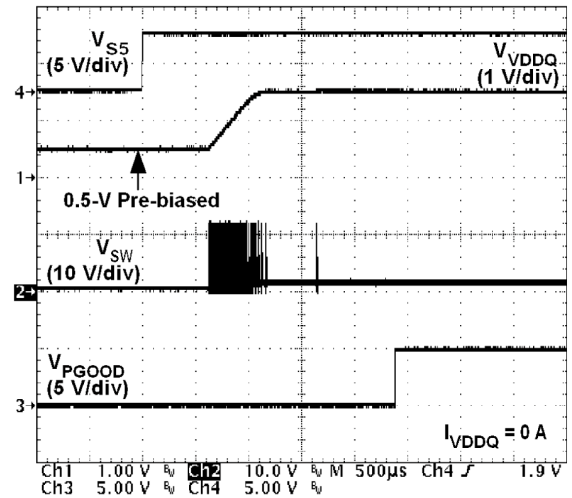


Figure 27. 1.5-V Startup Waveforms (0.5-V Pre-Biased)

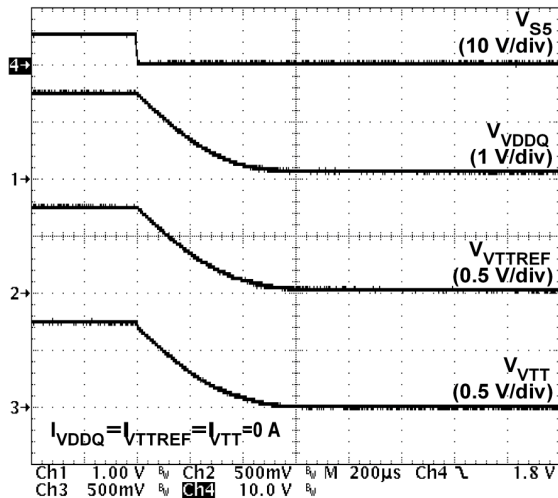


Figure 28. 1.5-V Soft-Stop Waveforms (Tracking Discharge)

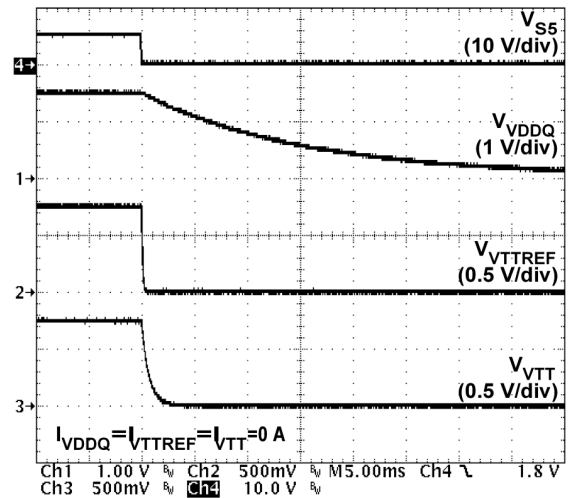
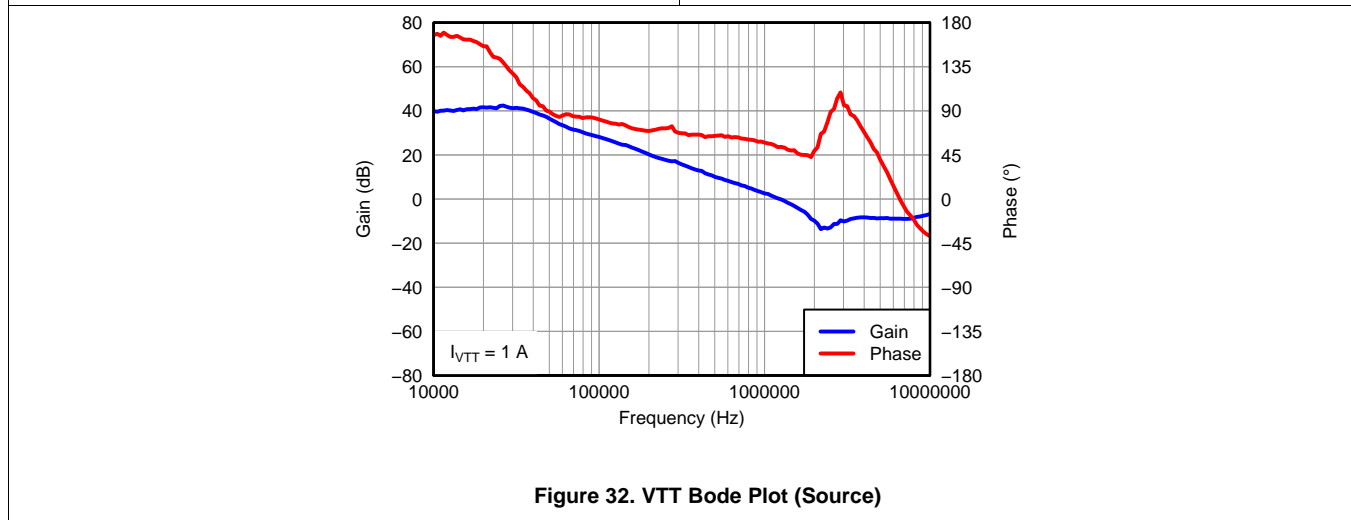
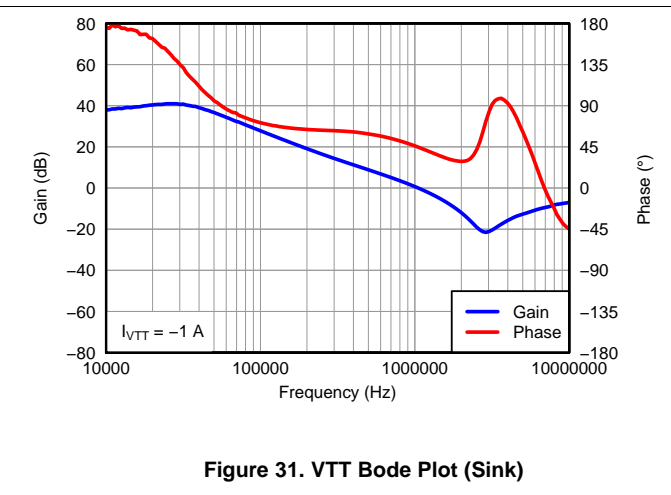
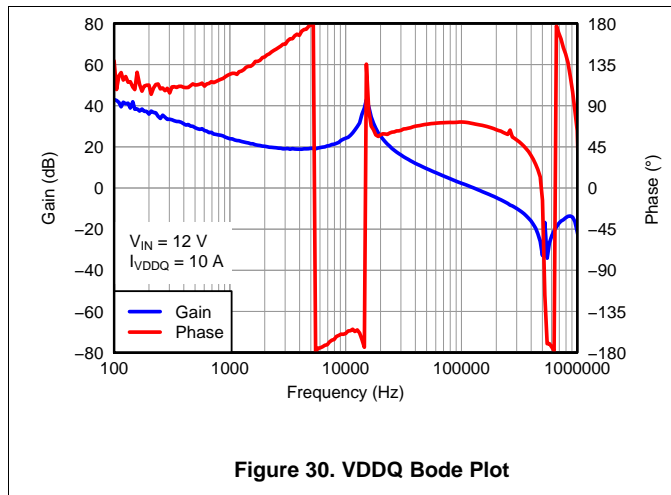


Figure 29. 1.5-V Soft-Stop Waveforms (Non-Tracking Discharge)



## 9 Power Supply Recommendations

The TPS51367 is designed to operate from input supply voltage in the range of 3 V to 28 V. Buck converters require the input voltage to be higher than the output voltage for proper operation. The maximum recommended operating duty cycle is 75%. Using that criteria, the minimum recommended input voltage is  $V_O / 0.75$ .

## 10 Layout

### 10.1 Layout Guidelines

Certain issues must be considered before designing a layout using the TPS51716.

- VIN capacitor(s), VOUT capacitor(s) and MOSFETs are the power components and should be placed on one side of the PCB (solder side). Other small signal components should be placed on another side (component side). At least one inner system GND plane should be inserted, in order to shield and isolate the small signal traces from noisy power lines.
- All sensitive analog traces and components such as VDDQSNS, VTTSNS, MODE, REFIN, VREF and TRIP should be placed away from high-voltage switching nodes such as SW, DRVL, DRVH or VBST to avoid coupling. Use internal layer(s) as system GND plane(s) and shield feedback trace from power traces and components.
- The DC/DC converter has several high-current loops. The area of these loops should be minimized in order to suppress generating switching noise.
  - The most important loop to minimize the area of is the path from the VIN capacitor(s) through the high and low-side MOSFETs, and back to the negative node of the VIN capacitor(s). Connect the negative node of the VIN capacitor(s) and the source of the low-side MOSFET as close as possible. (Refer to loop #1 of [Figure 33](#))
  - The second important loop is the path from the low-side MOSFET through inductor and VOUT capacitor(s), and back to source of the low-side MOSFET. Connect the source of the low-side MOSFET and negative node of VOUT capacitor(s) as close as possible. (Refer to loop #2 of [Figure 33](#))
  - The third important loop is of gate driving system for the low-side MOSFET. To turn on the low-side MOSFET, high current flows from V5IN capacitor through gate driver and the low-side MOSFET, and back to negative node of the capacitor. To turn off the low-side MOSFET, high current flows from gate of the low-side MOSFET through the gate driver and PGND pin, and back to source of the low-side MOSFET. Connect negative node of V5IN capacitor, source of the low-side MOSFET and PGND pin as close as possible. (Refer to loop #3 of [Figure 33](#))
- Connect negative nodes of the VTTREF output capacitor, VREF capacitor and REFIN capacitor and bottom-side resistance of VREF voltage-divider to GND pin as close as possible. The negative node of the VTT output capacitor(s), VTTGND, GND and PGND pins should be connected to system GND plane near the device as shown in [Figure 33](#).
- Because the TPS51716 controls output voltage referring to voltage across VOUT capacitor, VDDQSNS should be connected to the positive node of VOUT capacitor using different trace from that for VLDOIN. Remember that this sensing potential is the reference voltage of VTTREF. Avoid any noise generative lines. GND pin refers to the negative node of VOUT capacitor.
- Connect the overcurrent setting resistor from TRIP pin to GND pin and make the connections as close as possible to the device to avoid coupling from a high-voltage switching node.
- Connect the frequency and mode setting resistor from MODE pin to GND pin ground, and make the connections as close as possible to the device to avoid coupling from a high-voltage switching node.
- Connections from gate drivers to the respective gate of the high-side or the low-side MOSFET should be as short as possible to reduce stray inductance. Use 0.65 mm (25 mils) or wider trace and via(s) of at least 0.5 mm (20 mils) diameter along this trace.
- The PCB trace defined as SW node, which connects to the source of the high-side MOSFET, the drain of the low-side MOSFET and the high-voltage side of the inductor, should be as short and wide as possible.
- VLDOIN should be connected to VOUT with short and wide traces. An input bypass capacitor should be placed as close as possible to the pin with short and wide connections. The negative node of the capacitor should be connected to system GND plane.
- The output capacitor for VTT should be placed close to the pins with a short and wide connection in order to avoid additional ESR and/or ESL of the trace.
- VTTSNS should be connected to the positive node of the VTT output capacitor(s) using a separate trace from the high-current power line. When remote sensing is required attach the output capacitor(s) at that point. Also, it is recommended to minimize any additional ESR and/or ESL of ground trace between GND pin and the output capacitor(s).
- Consider adding a low pass filter (LPF) at VTTSNS in case the ESR of the VTT output capacitor(s) is larger than 2 m $\Omega$ .





## 11 Device and Documentation Support

### 11.1 Device Support

#### 11.1.1 Third-Party Products Disclaimer

TI'S PUBLICATION OF INFORMATION REGARDING THIRD-PARTY PRODUCTS OR SERVICES DOES NOT CONSTITUTE AN ENDORSEMENT REGARDING THE SUITABILITY OF SUCH PRODUCTS OR SERVICES OR A WARRANTY, REPRESENTATION OR ENDORSEMENT OF SUCH PRODUCTS OR SERVICES, EITHER ALONE OR IN COMBINATION WITH ANY TI PRODUCT OR SERVICE.

### 11.2 Documentation Support

#### 11.2.1 Receiving Notification of Documentation Updates

To receive notification of documentation updates, navigate to the device product folder on ti.com. In the upper right corner, click on *Alert me* to register and receive a weekly digest of any product information that has changed. For change details, review the revision history included in any revised document.

#### 11.2.2 Community Resources

The following links connect to TI community resources. Linked contents are provided "AS IS" by the respective contributors. They do not constitute TI specifications and do not necessarily reflect TI's views; see TI's [Terms of Use](#).

**TI E2E™ Online Community** *TI's Engineer-to-Engineer (E2E) Community*. Created to foster collaboration among engineers. At e2e.ti.com, you can ask questions, share knowledge, explore ideas and help solve problems with fellow engineers.

**Design Support** *TI's Design Support* Quickly find helpful E2E forums along with design support tools and contact information for technical support.

### 11.3 Trademarks

D-CAP2, NexFET, E2E are trademarks of Texas Instruments.  
All other trademarks are the property of their respective owners.

### 11.4 Electrostatic Discharge Caution



These devices have limited built-in ESD protection. The leads should be shorted together or the device placed in conductive foam during storage or handling to prevent electrostatic damage to the MOS gates.

### 11.5 Glossary

**SLYZ022** — *TI Glossary*.

This glossary lists and explains terms, acronyms, and definitions.

## 12 Mechanical, Packaging, and Orderable Information

The following pages include mechanical, packaging, and orderable information. This information is the most current data available for the designated devices. This data is subject to change without notice and revision of this document. For browser-based versions of this data sheet, refer to the left-hand navigation.

**PACKAGING INFORMATION**

| Orderable Device | Status<br>(1) | Package Type | Package Drawing | Pins | Package Qty | Eco Plan<br>(2) | Lead finish/<br>Ball material<br>(6) | MSL Peak Temp<br>(3) | Op Temp (°C) | Device Marking<br>(4/5) | Samples                 |
|------------------|---------------|--------------|-----------------|------|-------------|-----------------|--------------------------------------|----------------------|--------------|-------------------------|-------------------------|
| TPS51716RUKR     | ACTIVE        | WQFN         | RUK             | 20   | 3000        | RoHS & Green    | NIPDAU                               | Level-2-260C-1 YEAR  | -40 to 85    | 51716                   | <a href="#">Samples</a> |
| TPS51716RUKT     | ACTIVE        | WQFN         | RUK             | 20   | 250         | RoHS & Green    | NIPDAU                               | Level-2-260C-1 YEAR  | -40 to 85    | 51716                   | <a href="#">Samples</a> |

(1) The marketing status values are defined as follows:

**ACTIVE:** Product device recommended for new designs.

**LIFEBUY:** TI has announced that the device will be discontinued, and a lifetime-buy period is in effect.

**NRND:** Not recommended for new designs. Device is in production to support existing customers, but TI does not recommend using this part in a new design.

**PREVIEW:** Device has been announced but is not in production. Samples may or may not be available.

**OBSOLETE:** TI has discontinued the production of the device.

(2) **RoHS:** TI defines "RoHS" to mean semiconductor products that are compliant with the current EU RoHS requirements for all 10 RoHS substances, including the requirement that RoHS substance do not exceed 0.1% by weight in homogeneous materials. Where designed to be soldered at high temperatures, "RoHS" products are suitable for use in specified lead-free processes. TI may reference these types of products as "Pb-Free".

**RoHS Exempt:** TI defines "RoHS Exempt" to mean products that contain lead but are compliant with EU RoHS pursuant to a specific EU RoHS exemption.

**Green:** TI defines "Green" to mean the content of Chlorine (Cl) and Bromine (Br) based flame retardants meet JS709B low halogen requirements of <=1000ppm threshold. Antimony trioxide based flame retardants must also meet the <=1000ppm threshold requirement.

(3) MSL, Peak Temp. - The Moisture Sensitivity Level rating according to the JEDEC industry standard classifications, and peak solder temperature.

(4) There may be additional marking, which relates to the logo, the lot trace code information, or the environmental category on the device.

(5) Multiple Device Markings will be inside parentheses. Only one Device Marking contained in parentheses and separated by a "~" will appear on a device. If a line is indented then it is a continuation of the previous line and the two combined represent the entire Device Marking for that device.

(6) Lead finish/Ball material - Orderable Devices may have multiple material finish options. Finish options are separated by a vertical ruled line. Lead finish/Ball material values may wrap to two lines if the finish value exceeds the maximum column width.

**Important Information and Disclaimer:**The information provided on this page represents TI's knowledge and belief as of the date that it is provided. TI bases its knowledge and belief on information provided by third parties, and makes no representation or warranty as to the accuracy of such information. Efforts are underway to better integrate information from third parties. TI has taken and continues to take reasonable steps to provide representative and accurate information but may not have conducted destructive testing or chemical analysis on incoming materials and chemicals. TI and TI suppliers consider certain information to be proprietary, and thus CAS numbers and other limited information may not be available for release.

In no event shall TI's liability arising out of such information exceed the total purchase price of the TI part(s) at issue in this document sold by TI to Customer on an annual basis.



**TAPE AND REEL INFORMATION**

**QUADRANT ASSIGNMENTS FOR PIN 1 ORIENTATION IN TAPE**

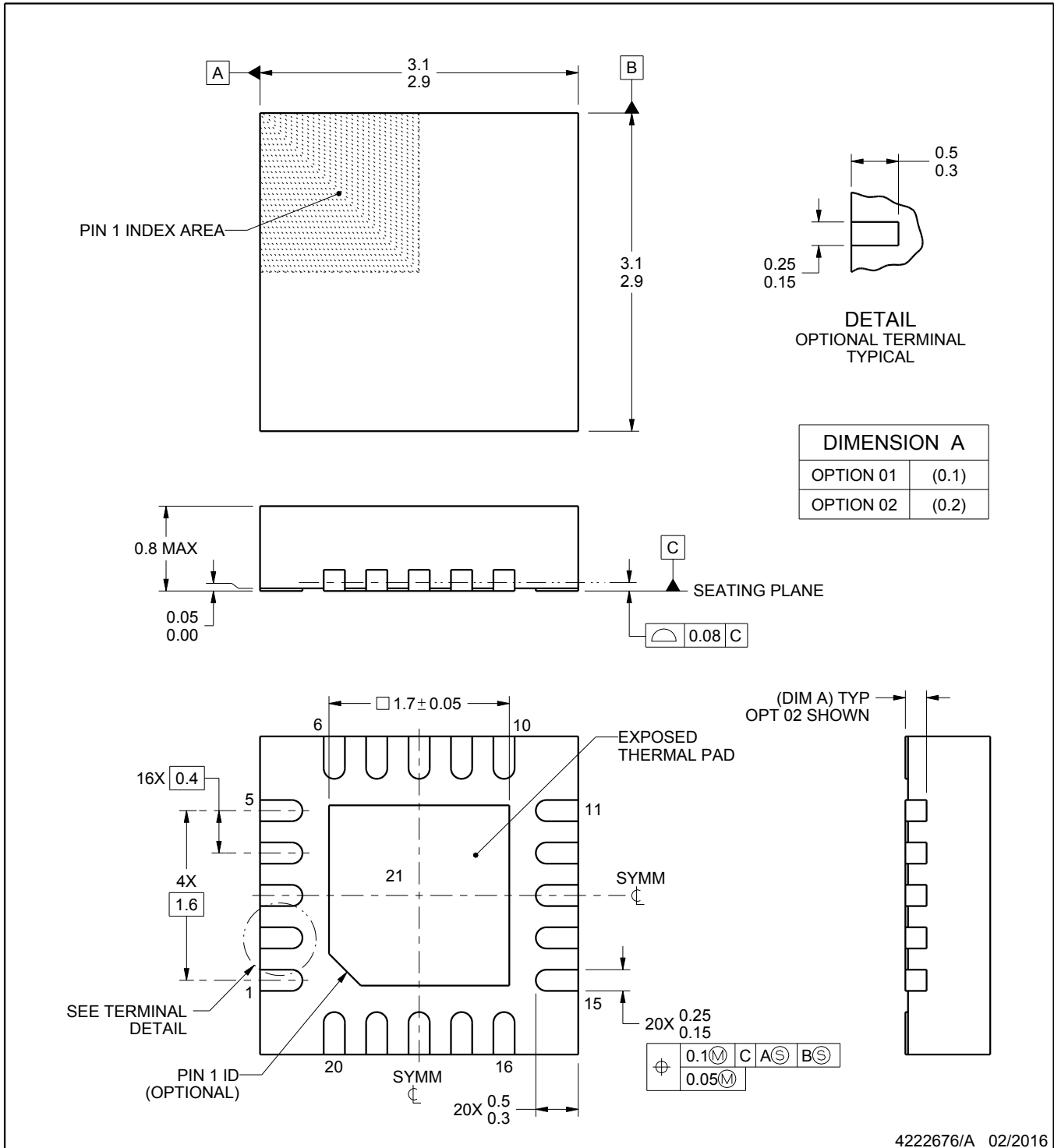
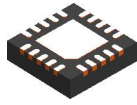

\*All dimensions are nominal

| Device       | Package Type | Package Drawing | Pins | SPQ  | Reel Diameter (mm) | Reel Width W1 (mm) | A0 (mm) | B0 (mm) | K0 (mm) | P1 (mm) | W (mm) | Pin1 Quadrant |
|--------------|--------------|-----------------|------|------|--------------------|--------------------|---------|---------|---------|---------|--------|---------------|
| TPS51716RUKR | WQFN         | RUK             | 20   | 3000 | 330.0              | 12.4               | 3.3     | 3.3     | 1.1     | 8.0     | 12.0   | Q2            |
| TPS51716RUKR | WQFN         | RUK             | 20   | 3000 | 330.0              | 12.4               | 3.3     | 3.3     | 1.1     | 8.0     | 12.0   | Q2            |
| TPS51716RUKT | WQFN         | RUK             | 20   | 250  | 180.0              | 12.4               | 3.3     | 3.3     | 1.1     | 8.0     | 12.0   | Q2            |
| TPS51716RUKT | WQFN         | RUK             | 20   | 250  | 180.0              | 12.5               | 3.3     | 3.3     | 1.1     | 8.0     | 12.0   | Q2            |

**TAPE AND REEL BOX DIMENSIONS**


\*All dimensions are nominal

| Device       | Package Type | Package Drawing | Pins | SPQ  | Length (mm) | Width (mm) | Height (mm) |
|--------------|--------------|-----------------|------|------|-------------|------------|-------------|
| TPS51716RUKR | WQFN         | RUK             | 20   | 3000 | 338.0       | 355.0      | 50.0        |
| TPS51716RUKR | WQFN         | RUK             | 20   | 3000 | 356.0       | 356.0      | 35.0        |
| TPS51716RUKT | WQFN         | RUK             | 20   | 250  | 210.0       | 185.0      | 35.0        |
| TPS51716RUKT | WQFN         | RUK             | 20   | 250  | 205.0       | 200.0      | 33.0        |



4222676/A 02/2016

NOTES:

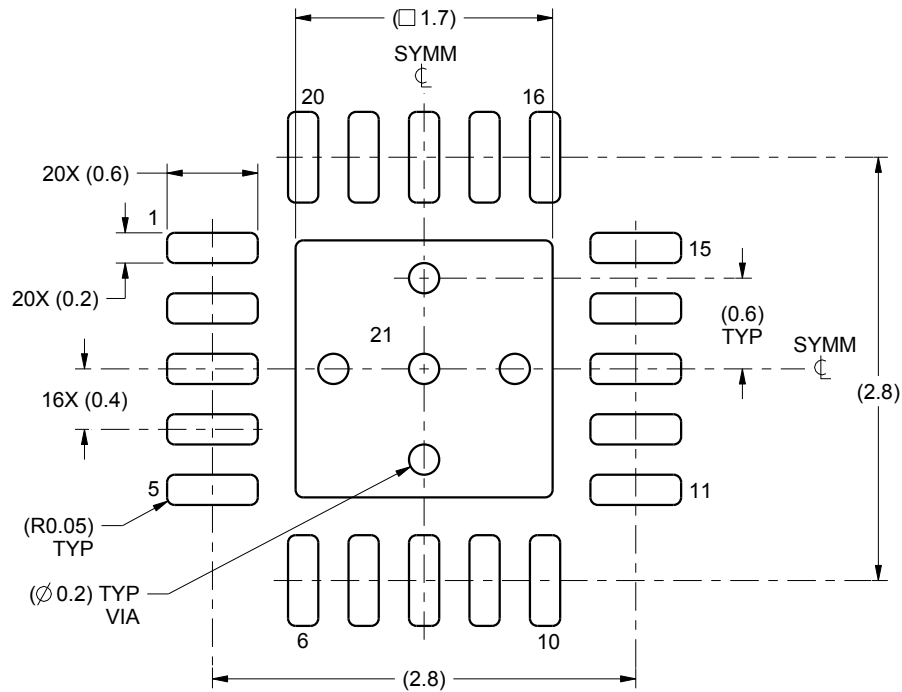
1. All linear dimensions are in millimeters. Any dimensions in parenthesis are for reference only. Dimensioning and tolerancing per ASME Y14.5M.
2. This drawing is subject to change without notice.
3. The package thermal pad must be soldered to the printed circuit board for thermal and mechanical performance.

# EXAMPLE BOARD LAYOUT

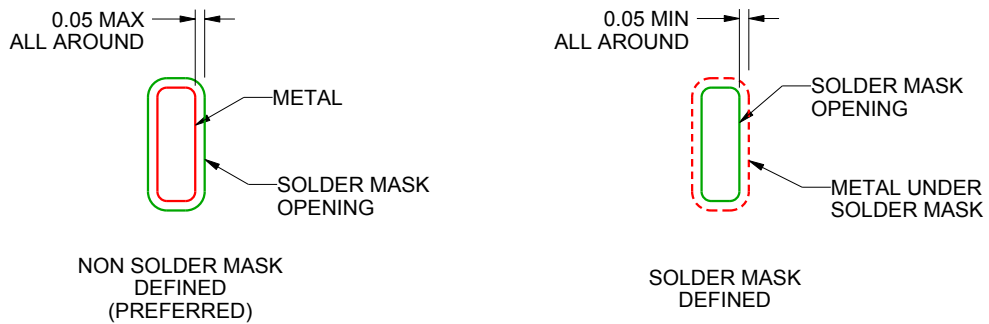
RUK0020B

WQFN - 0.8 mm max height

PLASTIC QUAD FLATPACK - NO LEAD



LAND PATTERN EXAMPLE  
SCALE:20X



SOLDER MASK DETAILS

4222676/A 02/2016

NOTES: (continued)

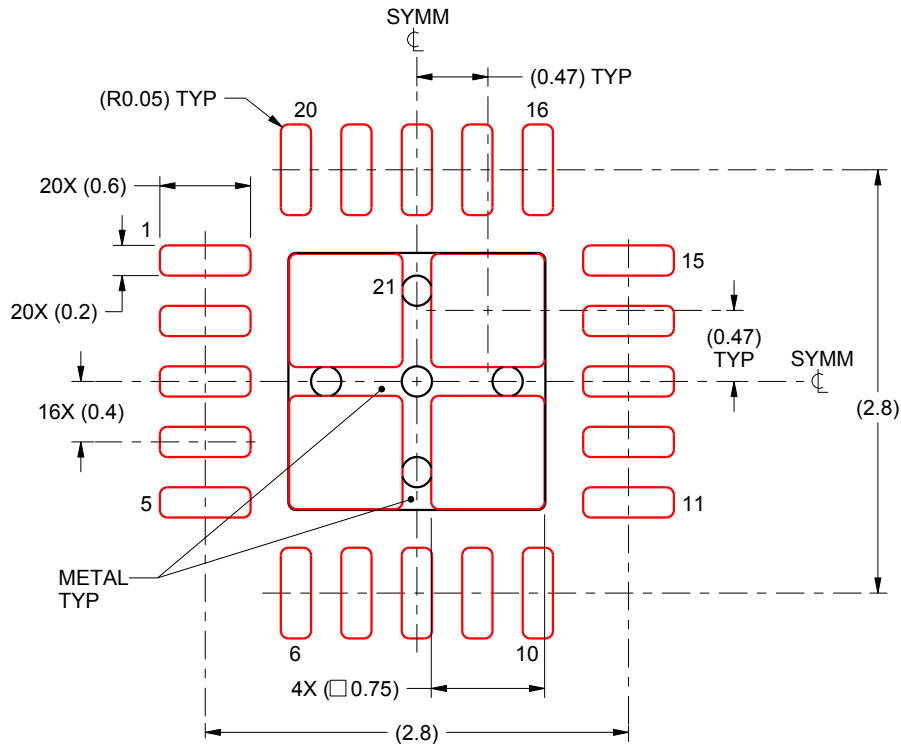
4. This package is designed to be soldered to a thermal pad on the board. For more information, see Texas Instruments literature number SLUA271 ([www.ti.com/lit/sluea271](http://www.ti.com/lit/sluea271)).
5. Vias are optional depending on application, refer to device data sheet. If any vias are implemented, refer to their locations shown on this view. It is recommended that vias under paste be filled, plugged or tented.

# EXAMPLE STENCIL DESIGN

RUK0020B

WQFN - 0.8 mm max height

PLASTIC QUAD FLATPACK - NO LEAD



## SOLDER PASTE EXAMPLE BASED ON 0.1 mm THICK STENCIL

EXPOSED PAD 21:  
78% PRINTED SOLDER COVERAGE BY AREA UNDER PACKAGE  
SCALE:20X

4222676/A 02/2016

NOTES: (continued)

6. Laser cutting apertures with trapezoidal walls and rounded corners may offer better paste release. IPC-7525 may have alternate design recommendations.



## IMPORTANT NOTICE AND DISCLAIMER

TI PROVIDES TECHNICAL AND RELIABILITY DATA (INCLUDING DATA SHEETS), DESIGN RESOURCES (INCLUDING REFERENCE DESIGNS), APPLICATION OR OTHER DESIGN ADVICE, WEB TOOLS, SAFETY INFORMATION, AND OTHER RESOURCES "AS IS" AND WITH ALL FAULTS, AND DISCLAIMS ALL WARRANTIES, EXPRESS AND IMPLIED, INCLUDING WITHOUT LIMITATION ANY IMPLIED WARRANTIES OF MERCHANTABILITY, FITNESS FOR A PARTICULAR PURPOSE OR NON-INFRINGEMENT OF THIRD PARTY INTELLECTUAL PROPERTY RIGHTS.

These resources are intended for skilled developers designing with TI products. You are solely responsible for (1) selecting the appropriate TI products for your application, (2) designing, validating and testing your application, and (3) ensuring your application meets applicable standards, and any other safety, security, regulatory or other requirements.

These resources are subject to change without notice. TI grants you permission to use these resources only for development of an application that uses the TI products described in the resource. Other reproduction and display of these resources is prohibited. No license is granted to any other TI intellectual property right or to any third party intellectual property right. TI disclaims responsibility for, and you will fully indemnify TI and its representatives against, any claims, damages, costs, losses, and liabilities arising out of your use of these resources.

TI's products are provided subject to [TI's Terms of Sale](#) or other applicable terms available either on [ti.com](http://ti.com) or provided in conjunction with such TI products. TI's provision of these resources does not expand or otherwise alter TI's applicable warranties or warranty disclaimers for TI products.

TI objects to and rejects any additional or different terms you may have proposed.

Mailing Address: Texas Instruments, Post Office Box 655303, Dallas, Texas 75265  
Copyright © 2022, Texas Instruments Incorporated