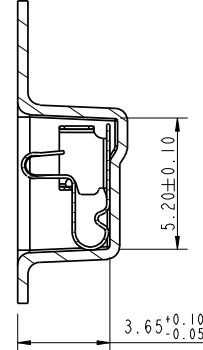
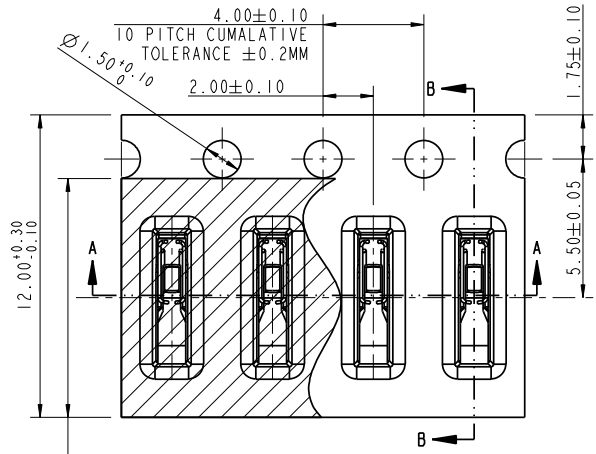
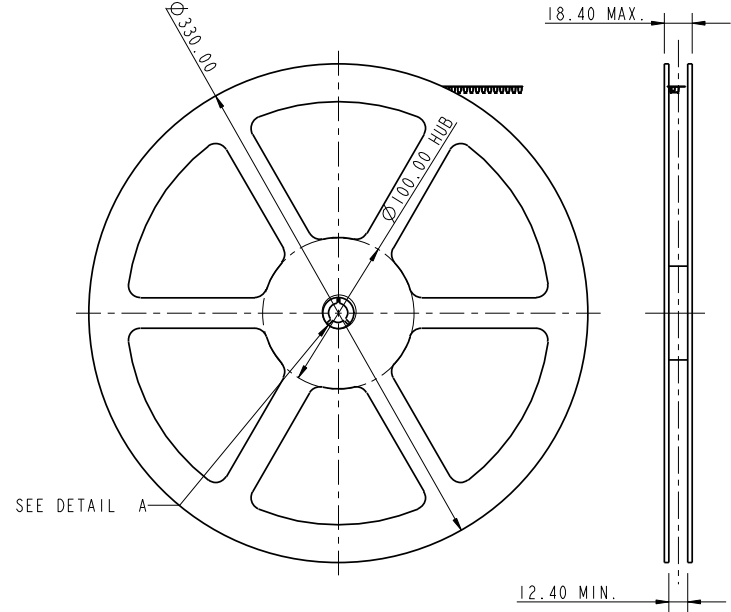


E	RIE-2859, ADD PACKAGING DETAIL	13-Nov-10	DO NOT SCALE						PDM:	A3/B
D	RIE-2272, ADD WIDTH TOLERANCE	01-Apr-06	Drawn	BILLS	13-Nov-10	Material:	 ITT Industries Cannon Electronics (SZ) Co. Ltd. Toupandun Industrial Area, Jinda Cheng, Xiner Village, Shajing Town, Baoan District, Shenzhen City PRC 518125	Pro/E Generic Model Title MICRO UNIVERSAL CONTACT 3.5 mm	Drwg. No. CU-120220-0204	iss/rev E
C	RIE-1935, ADD SOLDERING GOLD ZONE DIMENSION 3.50 ^{+0.08} / _{-0.04} was 3.50±0.05 15 ^{+0.20} / _{-0.10} was 166±0.20	26-FEB-07	Checked	FRANK	13-Nov-10	BERYLLIUM COPPER 190 HM - 0.125 ± 0.004 THICK				
B	RIE-1724, UPDATED FORCE INFORMATION ADD PCB PAD SIZE	25-Apr-06	Manufact.			Treatment:	Ref:	Scale 40.000	Sheet 1 of 2	
A	RIE-1703 RELEASED	3-Apr-06	Assembly			Quality	Unless Specified			
Iss/Rev	DCN/ECN or Description	Date	Approvals	Sign	Date	Dimensions in:	mm	Cust Spec No:		

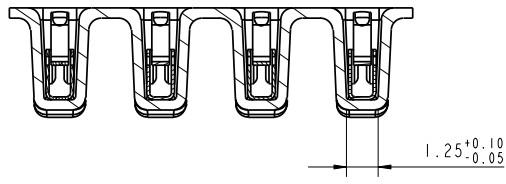
This is issued in strict confidence on condition that it is not used as a basis for manufacture or sale and that it is not copied reprinted or disclosed to a third party either wholly or in part without the prior written consent of ITT Industries © 30-Mar-05



SECTION B-B



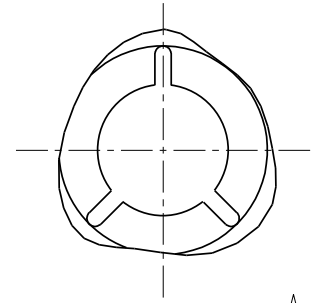
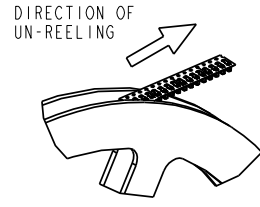
SEE DETAIL A



SECTION A-A


PACKAGING DETAILS

- 1) 3600 PCS TO BE PACKED PER REEL
- 2) LEADER = 390 MM
- 3) TRAILER = 160 MM
- 4) REEL MATERIAL - BLACK ANTI-STATIC POLYSTYRENE



SCALE 2.000

NOTES:
1, CARRIER TAPE MATERIAL - BLACK CONDUCTIVE POLYSTYRENE.

DO NOT SCALE					PDM:		A3/B	
Drawn	BILLS	13-Nov-09	Material:	 ITT Industries Cannon Electronics (SZ) Co. Ltd.		Toupandun Industrial Area, Jinda Cheng, Xiner Village, Shajing Town, Baoan District, Shenzhen City PRC 518125		Pro/E Generic Model
Checked	FRANK	13-Nov-10	BERYLLIUM COPPER			Title	MICRO UNIVERSAL CONTACT 3.5 mm	
Engineer	BILLS	13-Nov-10	190 HM - 0.125 ± 0.004 THICK	Surface Roughness				
Manufact.	-	.		16/				
Assembly	-	.	Treatment:	Unless Specified				
Quality	-	.		Ref:		Scale 30.000 Sheet 2 of 2		Drwg. No. CU-120220-0204 iss/rev E
Approvals	Sign	Date	Dimensions in: mm	Cust Spec No:				

This is issued in strict confidence on condition that it is not used as a basis for manufacture or sale and that it is not copied reprinted or disclosed to a third party either wholly or in part without the prior written consent of ITT Industries © 13-Nov-09