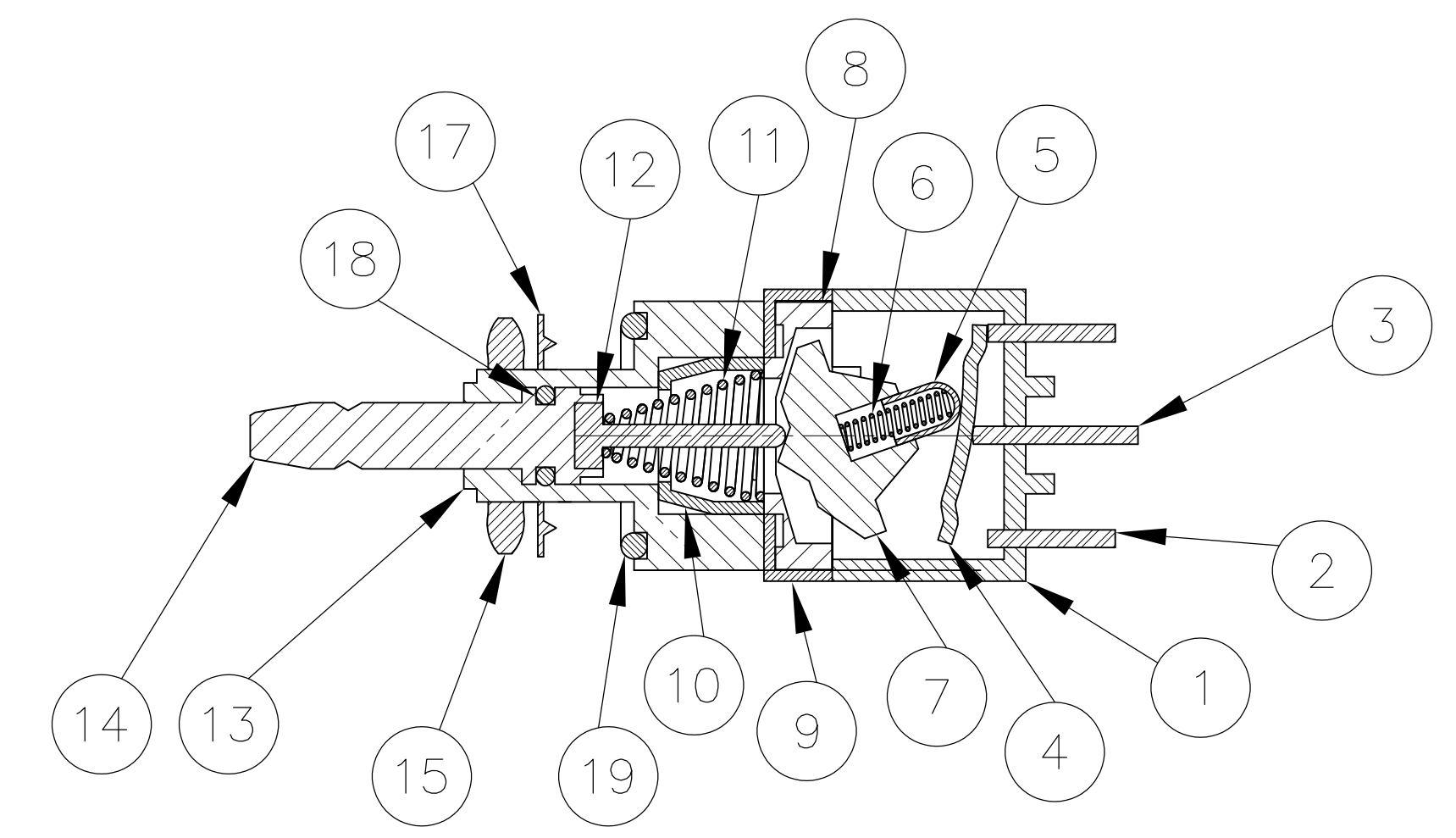
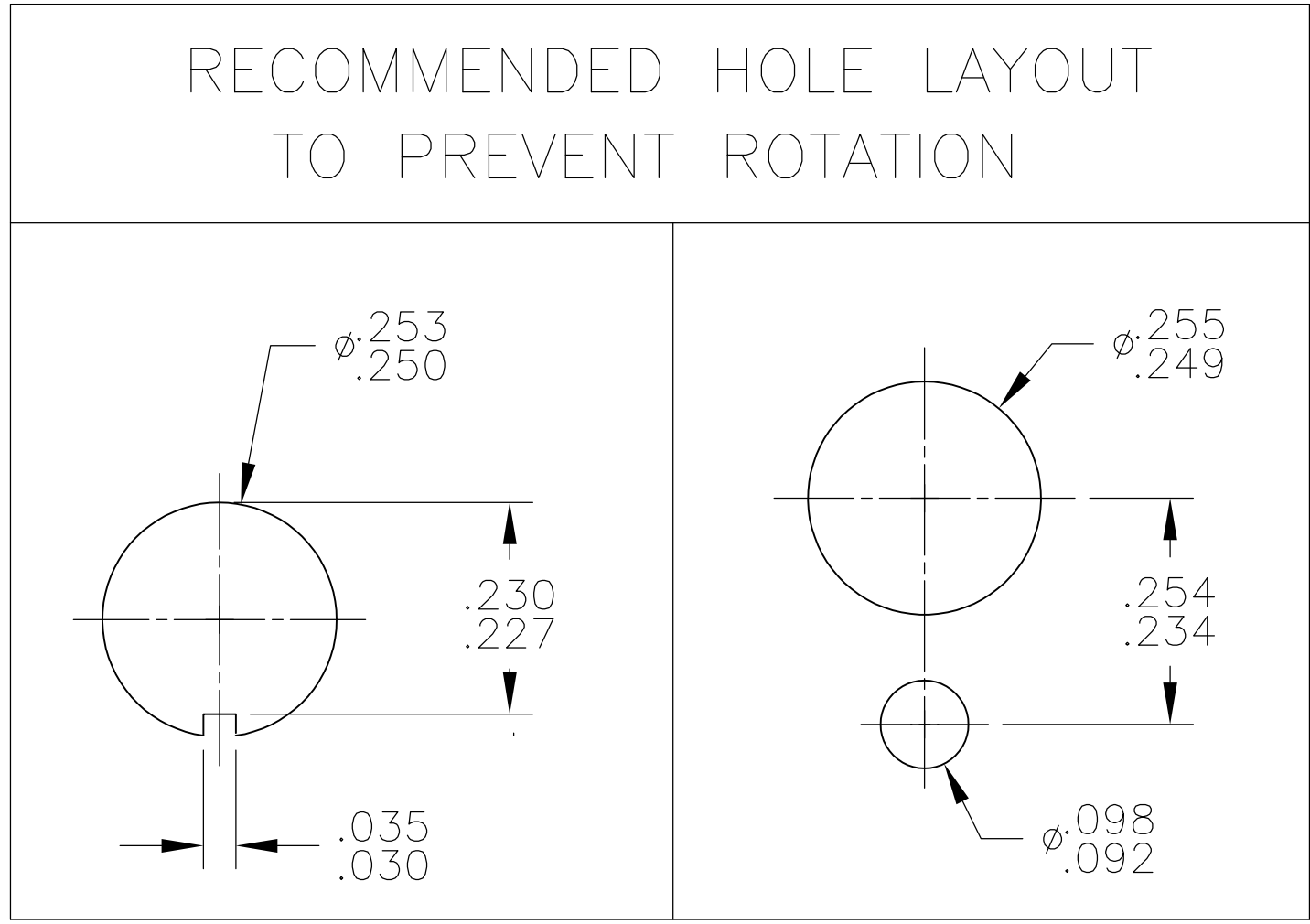
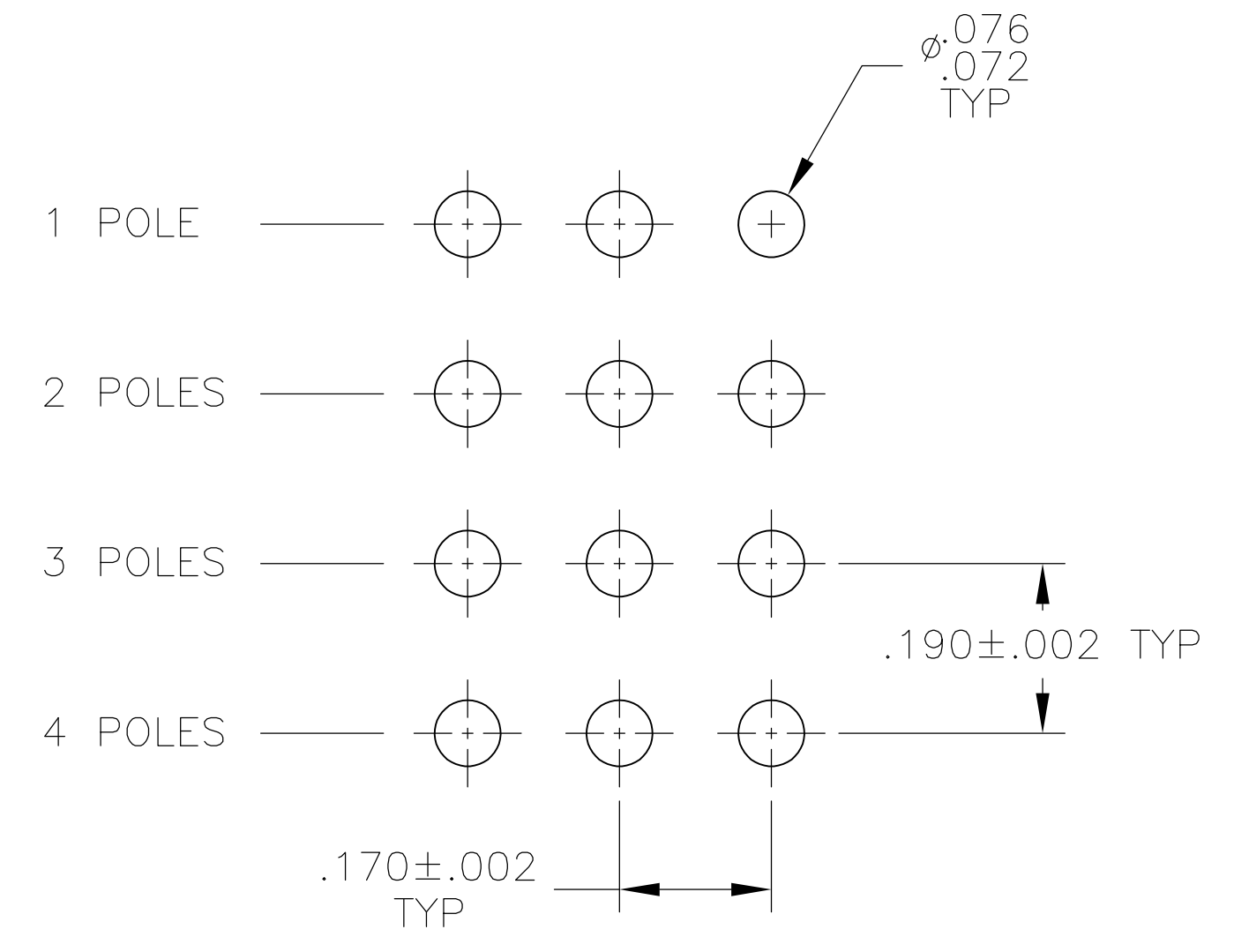


MATERIALS			
NO	COMPONENT NAME	BASE MATERIAL	FINISH
1	HOUSING	DIALYL PHTHALATE RESIN	
2	END TERMINAL	SILVER CLAD COPPER ALLOY	GOLD FLASH
3	CENTER TERMINAL	COPPER ALLOY	GOLD FLASH
4	ROCKER CONTACT	SILVER CLAD COPPER ALLOY	GOLD FLASH
5	ACTUATOR TIP	PHENOL RESIN, UL94 HB	
6	ACTUATOR SPRING	MUSIC WIRE	
7	ACTUATOR	PHENOL RESIN, UL94 HB	
8	ACTUATOR GUIDE	POLYAMID	
9	FRAME	STAINLESS STEEL PER 100-77	
10	RETAINER/STOPPER	BRASS	NONE
11	PLUNGER SPRING	MUSIC WIRE	
12	PLUNGER PIN	BRASS	
13	BUSHING	ZINC	NICKEL
14	PLUNGER	BRASS	NICKEL
15	MOUNTING NUTS (1)	BRASS	NICKEL
17	INTERNAL TOOTL LOCKWASHER	STEEL	NICKEL
18	STEM O-RING		
19	BUSHING O-RING		



NOT TO SCALE



SPECIFICATIONS - SEE NOTE 3			
CURRENT RATING UL & CSA	6A @ 125 VAC (RESISTIVE)		
	3A @ 250 VAC (RESISTIVE)		
	4A @ 28 VDC (RESISTIVE)		
INITIAL CONTACT RESISTANCE	10 MILLIOHMS MAX @ 2-4 VDC, 1A		
DIELECTRIC STRENGTH	1,500 MEGOHMS MIN.		
WITHSTANDING VOLTAGE	1,000 VAC		
TRAVEL	.140		
ACTUATION FORCE	.4 to 2 kgf		
OPERATING TEMPERATURE	-20C TO +85C		
STORAGE TEMPERATURE	-40C TO +85C		
CONTACT TIMING	BREAK BEFORE MAKE		
TERMINAL SEAL	OVER MOLDED		
DURABILITY	PARAMETER	PUSH ON/ PUSH OFF	MOMENTARY
	250 VAC (3A RESISTIVE)	50,000	50,000
	125 VAC (6A RESISTIVE)	50,000	50,000
	28 VDC (4A RESISTIVE)	50,000	50,000

- 1 TERMINAL NUMBERS ARE FOR REFERENCE ONLY AND DO NOT APPEAR ON THE SWITCHES
- 2 EACH SWITCH SUPPLIED WITH THE FOLLOWING MOUNTING HARDWARE:
  - (1) 1/4-40 UNS-2B HEX NUT
  - (1) LOCK WASHER
  - (1) BUSHING 'O' RING

5 WIRE LUG CONTACTS WILL ACCEPT 2 #20 AWG SOLID OR STRANDED WIRES

6 MARK SWITCH

7 ALL MATERIALS AND FINISHES SHALL COMPLY WITH EU DIRECTIVE 2002/95/EC OF 27JAN2003 (ROHS)

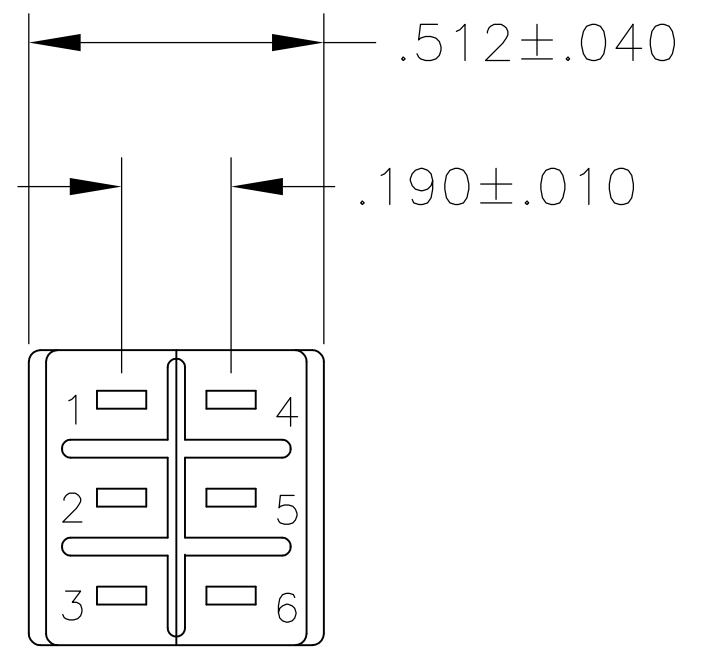
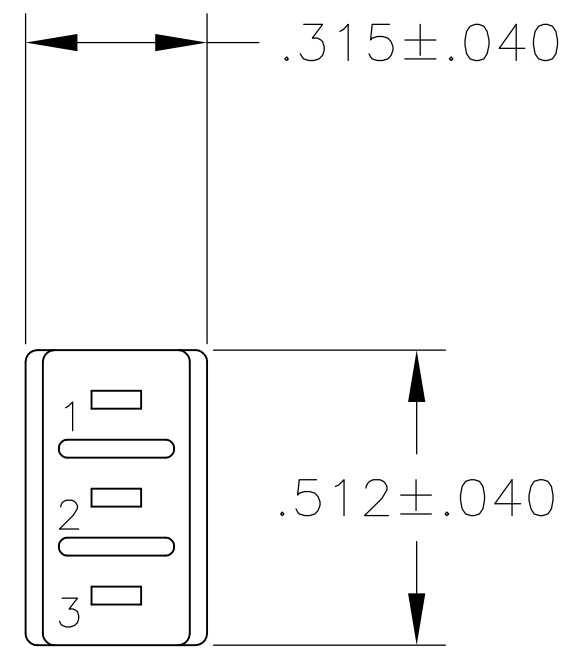
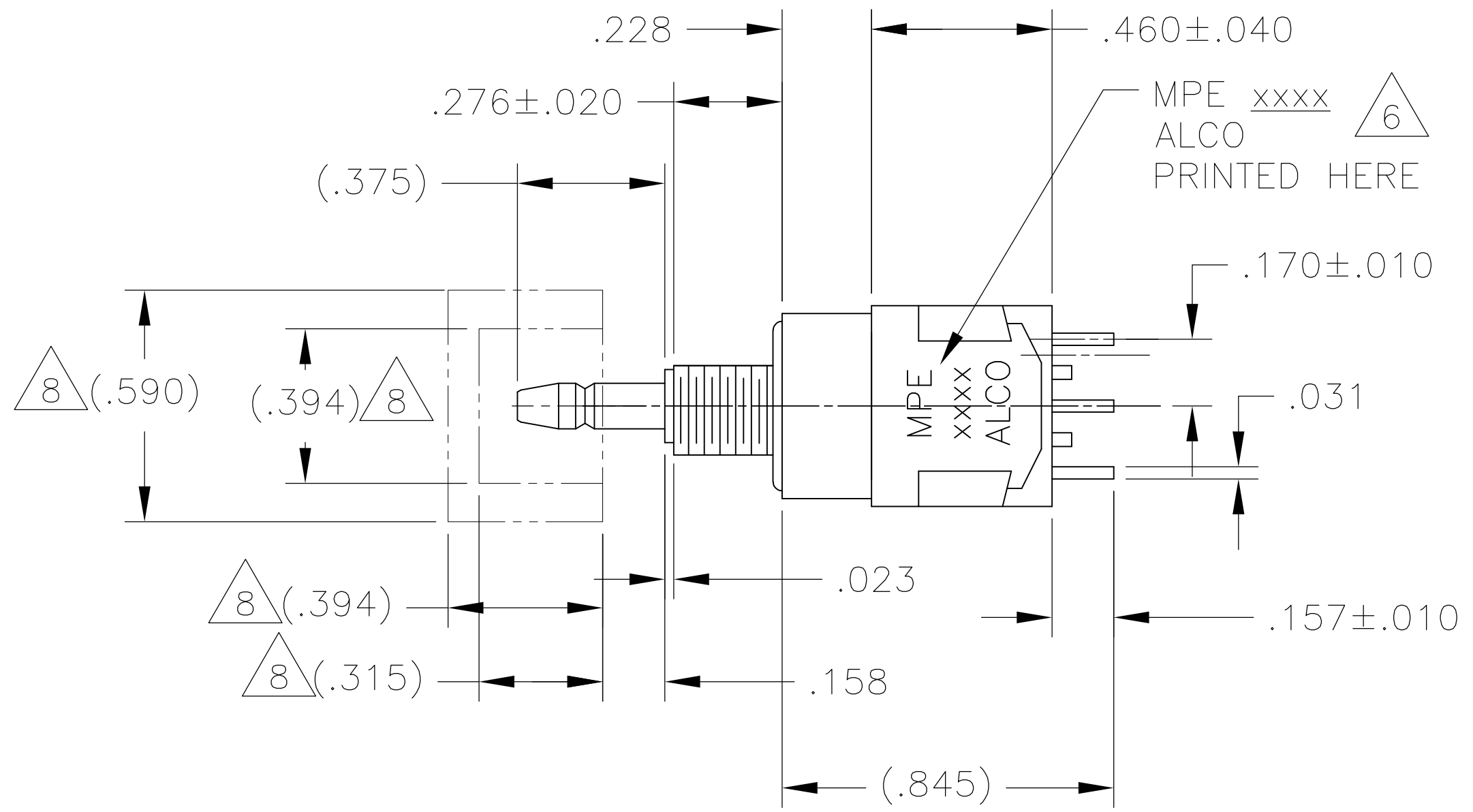
8 PUSHBUTTON CAP SOLD SEPARATELY. SEE DRAWING 1825068 AND 1825069 FOR AVAILABLE CAPS

9 LASER MARKING USED FOR PARTS

PART NUMBER	Alco P/N	Mark Switch	Poles	Throws	Terminal	Function		Connected Terminals	
						ON	MOM	Terminal Pattern 1	Terminal Pattern 2
4-1437567-8	MPE406R	MPE 406R	4	2	Wire lug	ON	MOM	2-1, 5-4, 8-7, 11-10	2-3, 5-6, 8-9, 11-12
4-1437567-7	MPE406N	MPE 406N	4	2	Wire lug	ON	ON	2-1, 5-4, 8-7, 11-10	2-3, 5-6, 8-9, 11-12
4-1437567-6	MPE306F	MPE 306F	3	2	Wire lug	ON	MOM	2-1, 5-4, 8-7	2-3, 5-6, 8-9
4-1437567-5	MPE206R	MPE 206R	2	2	Wire lug	ON	MOM	2-1, 5-4	2-3, 5-6
4-1437567-4	MPE206N	MPE 206N	2	2	Wire lug	ON	ON	2-1, 5-4	2-3, 5-6
4-1437567-3	MPE106F	MPE 106F	1	2	Wire lug	ON	MOM	2-1	2-3
4-1437567-2	MPE106D	MPE 106D	1	2	Wire lug	ON	ON	2-1	2-3

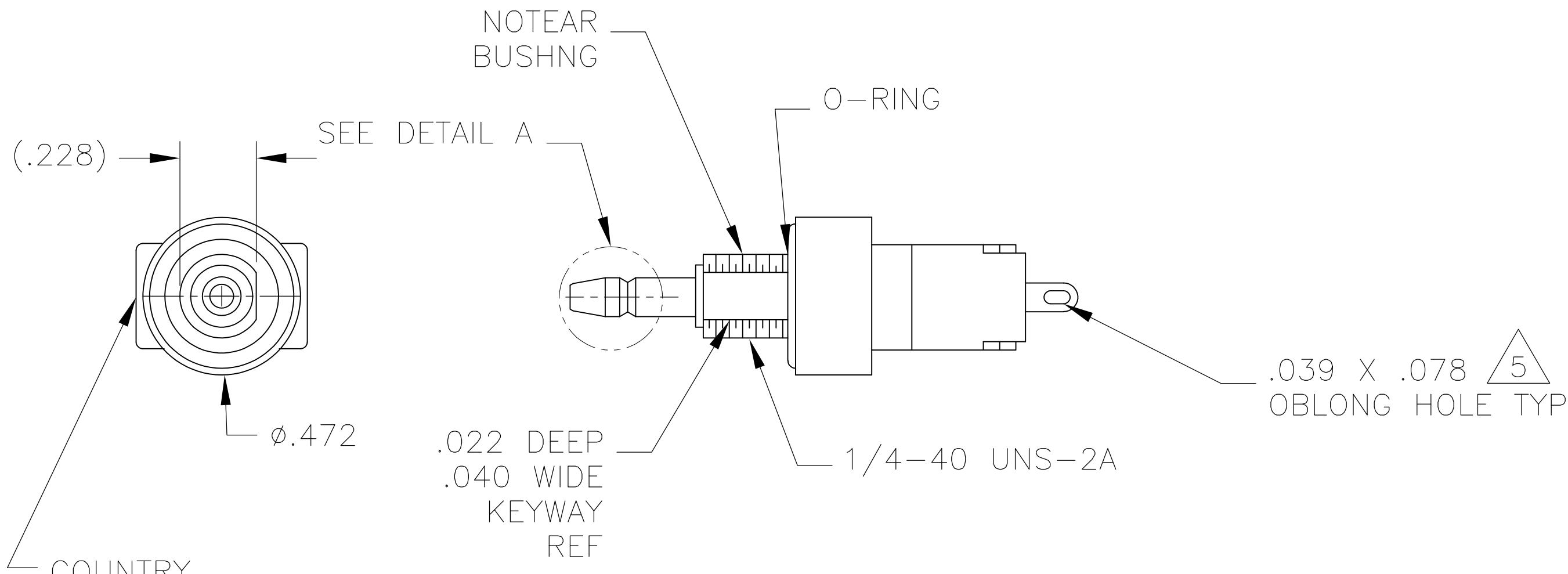
THIS DRAWING IS A CONTROLLED DOCUMENT.

DIMENSIONS: INCHES	TOLERANCES UNLESS OTHERWISE SPECIFIED:	DIN M. BINNER 15NOV04	M. ZITTO 15NOV04
0. PLC ± .012	1. PLC ± .012	APVD M. ZITTO 15NOV04	NAME ALCO SWITCH GREEN SERIES PUSHBUTTON SWITCH, MPE SERIES
2. PLC ± .012	3. PLC ± .012	PRODUCT SPEC	SIZE CAGE CODE DRAWING NO
4. PLC ± .012	ANGLES ± .012	APPLICATION SPEC	A1 00779 4-1437567-3
MATERIAL	FINISH	WEIGHT	RESTRICTED TO
		CUSTOMER DRAWING	SCALE 3:1 SHEET 1 OF 3 REV A6

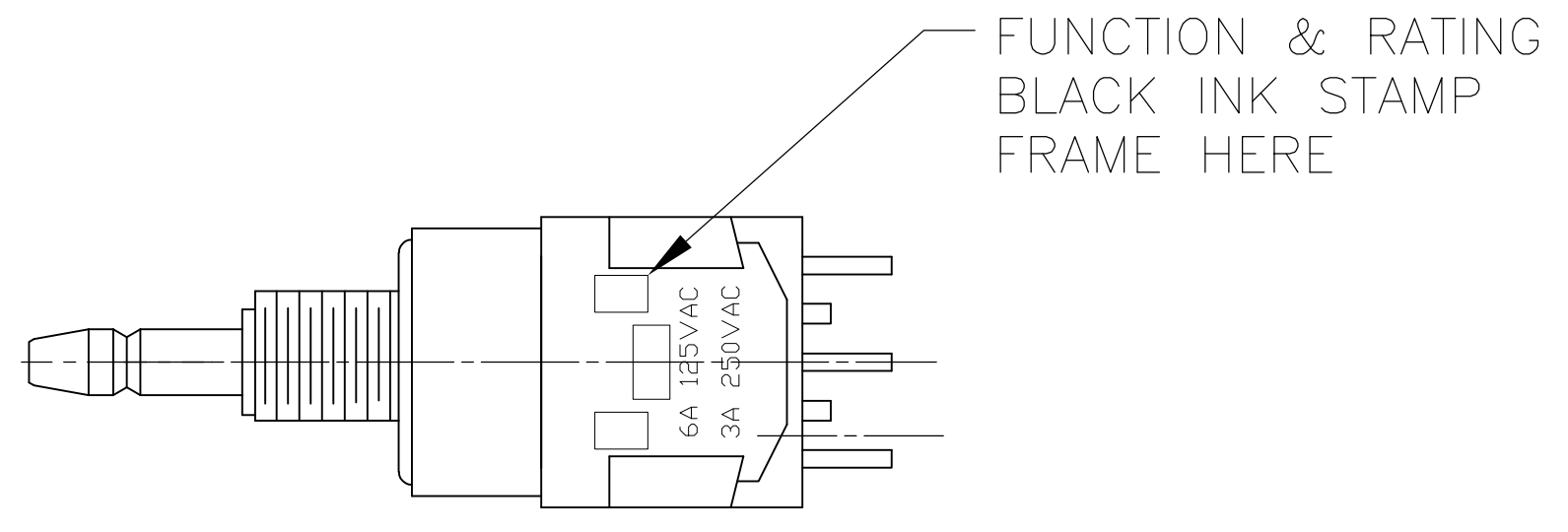


MPE-106

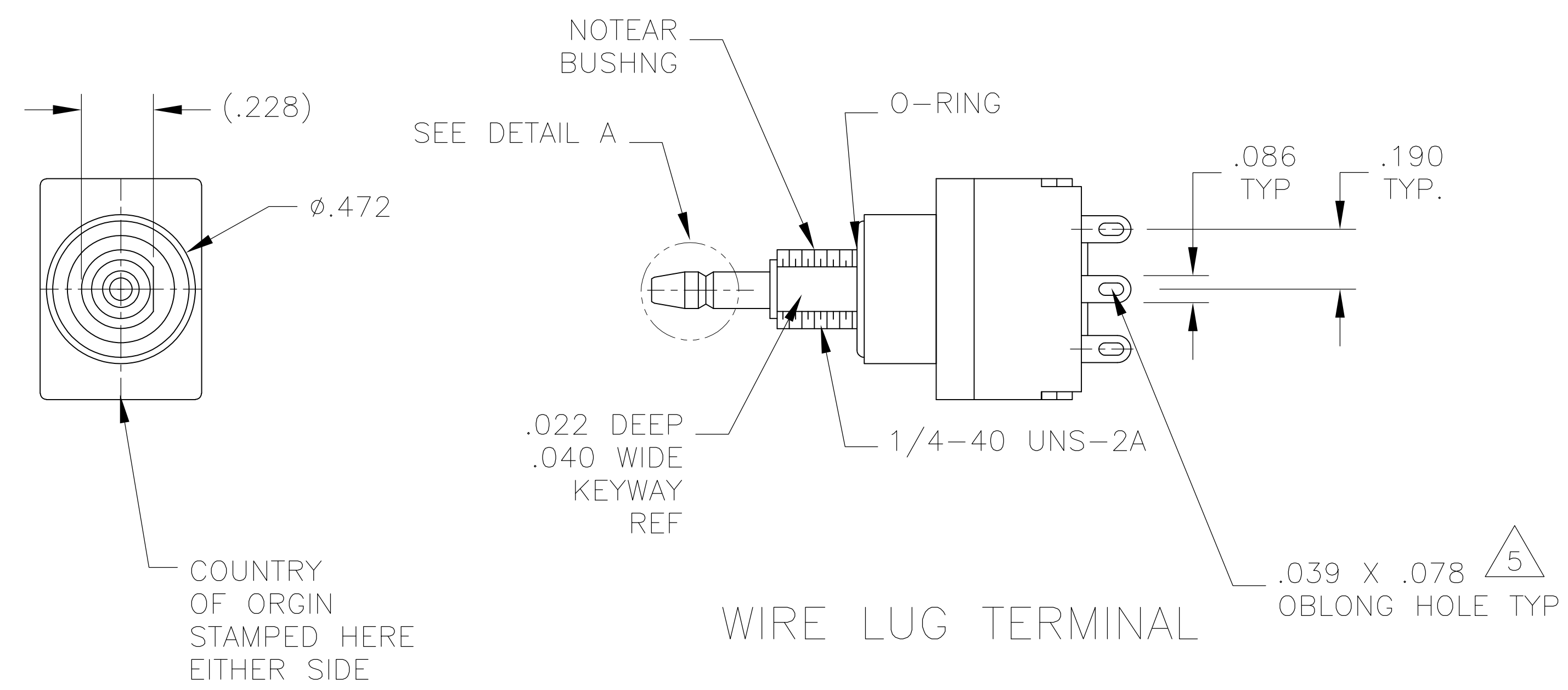
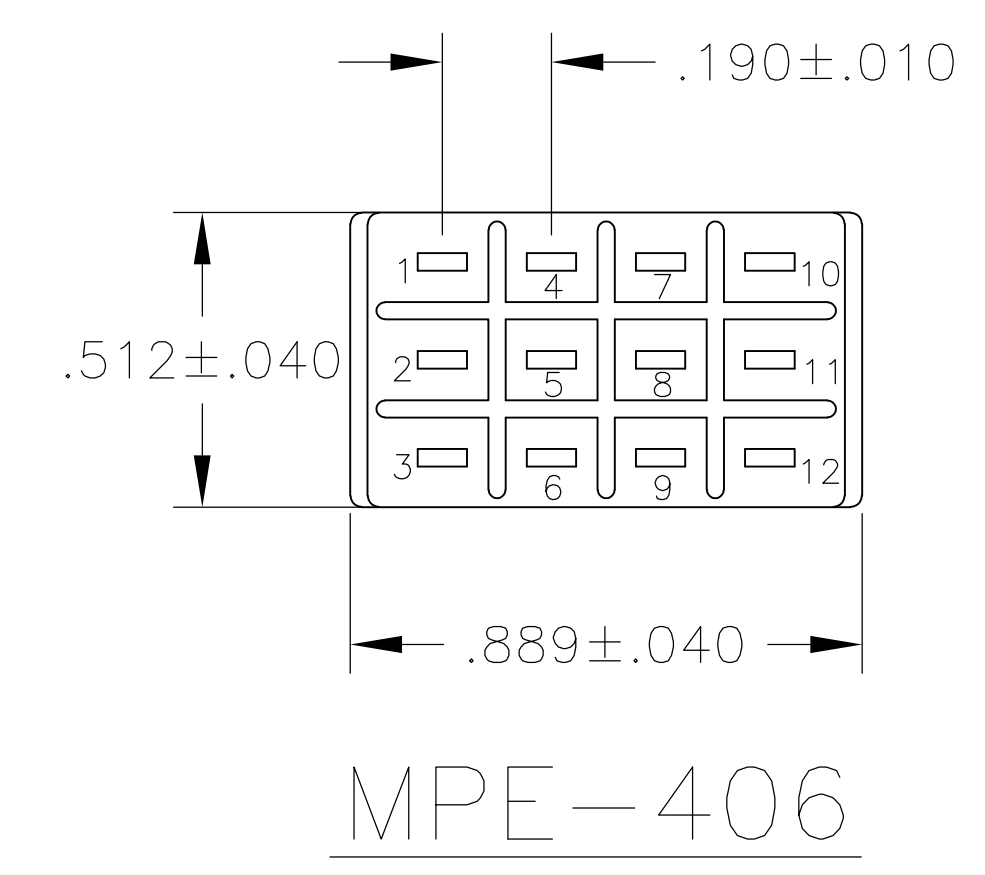
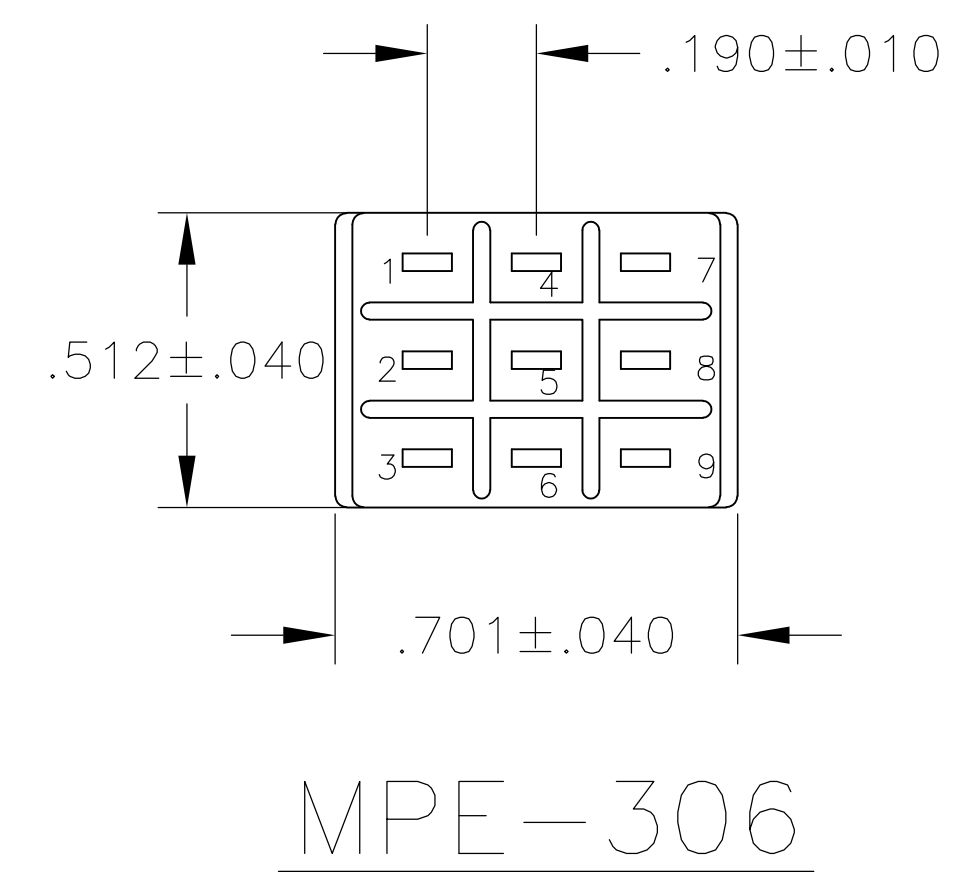
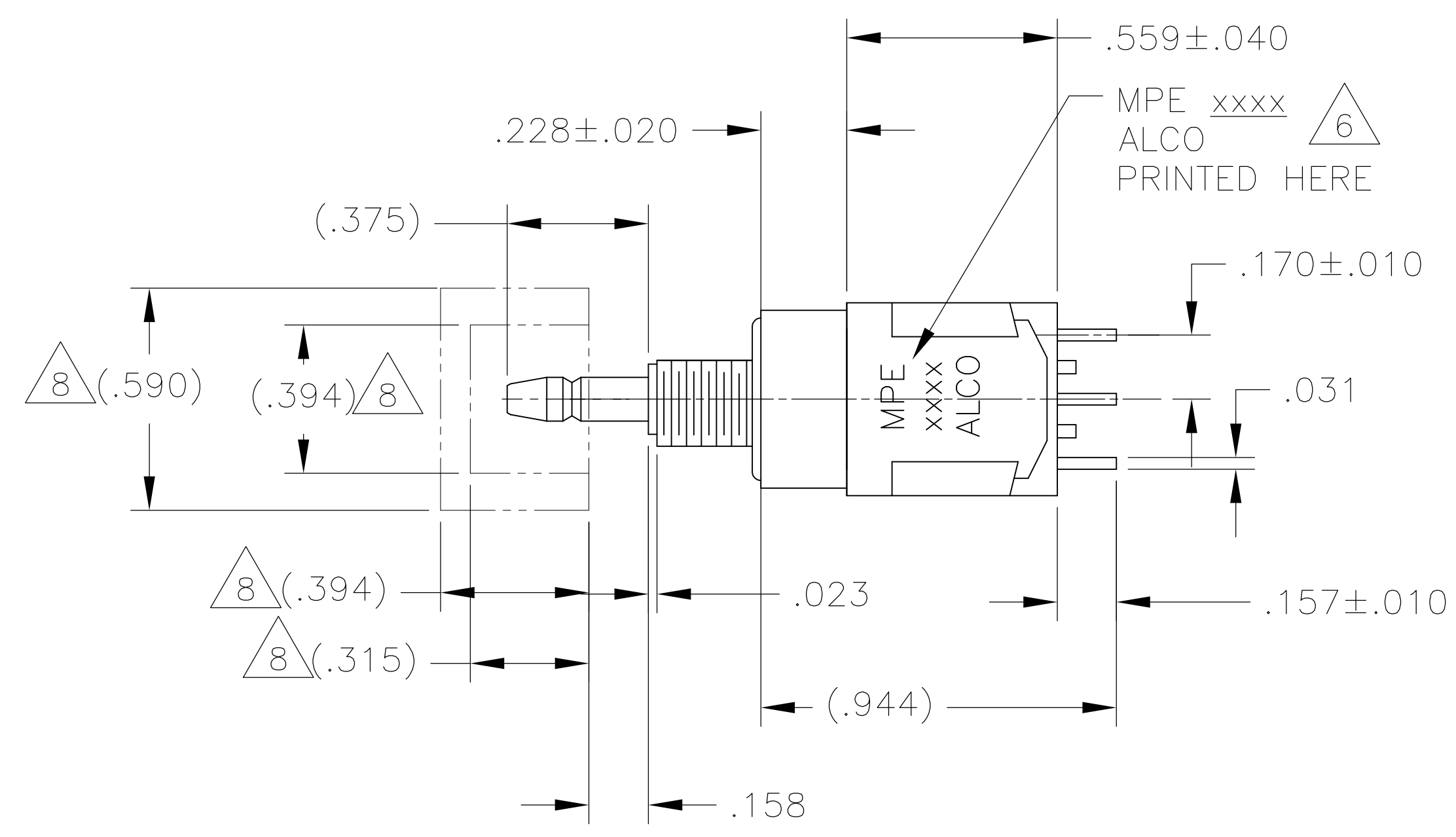
MPE-206



WIRE LUG TERMINAL

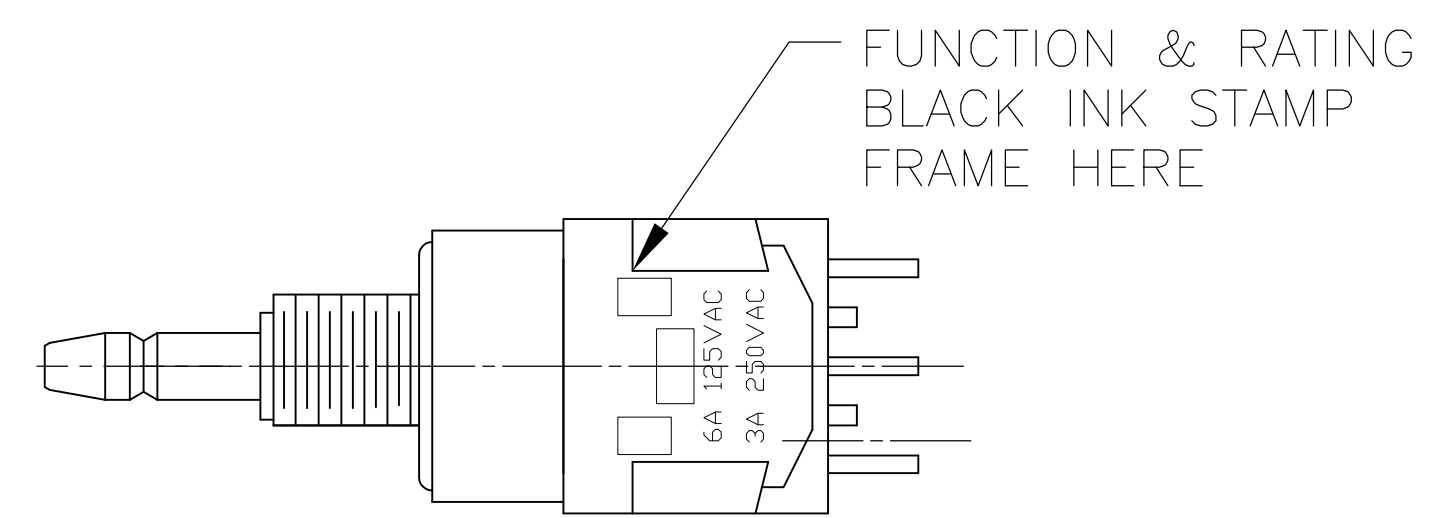


THIS DRAWING IS A CONTROLLED DOCUMENT.		DIN	M. BINNER	15NOV04	 TE Connectivity
DIMENSIONS: INCHES		CHK	M. ZITTO	15NOV04	
TOLERANCES UNLESS OTHERWISE SPECIFIED:		APP'D	M. ZITTO	15NOV04	NAME
0. PLC	± .01	PRODUCT SPEC			ALCOSWITCH GREEN SERIES PUSHBUTTON SWITCH, MPE SERIES
1. PLC	± .01	APPLICATION SPEC			SIZE
2. PLC	± .01	WEIGHT			A1
3. PLC	± .012	CUSTOMER DRAWING			SCALE 3:1
4. PLC	± .01	RESTRICTED TO			SHEET 2 OF 3
ANGLES	± .01	DRAWING NO			REV A6
MATERIAL		DRAWING NO			4-1437567-3
FINISH		CAGE CODE			00779



COUNTRY OF ORIGIN STAMPED HERE EITHER SIDE

WIRE LUG TERMINAL



THIS DRAWING IS A CONTROLLED DOCUMENT.		DWN	M. BINNER	15NOV04	
DIMENSIONS: INCHES		CHK	M. ZITTO	15NOV04	
TOLERANCES UNLESS OTHERWISE SPECIFIED:		APP'D	M. ZITTO	15NOV04	NAME
0. PLC	± -	PRODUCT SPEC		ALCOSWITCH GREEN SERIES PUSHBUTTON SWITCH, MPE SERIES	
1. PLC	± -	APPLICATION SPEC		SIZE	
2. PLC	± -	MATERIAL		CAGE CODE	
3. PLC	± .012	FINISH		DRAWING NO	
4. PLC	± -	CUSTOMER DRAWING		A1 00779	
ANGLES	± -	SCALE		4-1437567-3	
RESTRICTED TO		SHEET		3 OF 3	
REV		REV		REV	