
4-Port SS/HS USB Controller Hub

Highlights

- USB Hub Feature Controller IC with 4 USB 3.2 Gen 1 / USB 2.0 downstream ports
- USB-IF Battery Charger revision 1.2 support on up & downstream ports (DCP, CDP, SDP)
- **FlexConnect**: Downstream port able to swap with upstream port, allowing master capable devices to control other devices on the hub
- USB to I²C/UART/SPI/GPIO bridge endpoint support
- USB Link Power Management (LPM) support
- Enhanced OEM configuration options available through either OTP or SPI ROM
- USB-IF certified (TID 330000076), supporting latest Engineering Change Notices for compliance with USB-IF logo testing for new USB Type-C[®] industry initiative
 - Header Packet Timer (TD7.9, TD7.11, TD7.26)
 - Power Management Timer (TD7.18, TD7.20, TD7.23)
 - Unacknowledged Connect and Remote Wake Test Failure (TD10.25)
- Available in 64-pin (9 x 9 mm) VQFN lead-free, RoHS compliant package
- Commercial and industrial grade temperature support
- Configuration Straps: Predefined configuration of system level functions including GPIOs

Target Applications

- Standalone USB Hubs
- Laptop Docks
- PC Motherboards
- PC Monitor Docks
- Multi-function USB 3.2 Gen 1 Peripherals

Key Benefits

- USB 3.2 Gen 1 compliant 5 Gbps, 480 Mbps, 12 Mbps and 1.5 Mbps operation
 - 5 V tolerant USB 2.0 pins
 - 1.32 V tolerant USB 3.2 Gen 1 pins
 - Integrated termination & pull-up/pull-down resistors
- Supports per port battery charging of most popular battery powered devices
 - USB-IF Battery Charging rev. 1.2 support (DCP, CDP, SDP)
 - Apple[®] portable product charger emulation
 - Chinese YD/T 1591-2006 charger emulation
 - Chinese YD/T 1591-2009 charger emulation
 - European Union universal mobile charger support
 - Support for Microchip USC100x family of battery charging controllers
 - Supports additional portable devices
- Smart port controller operation
 - Firmware handling of companion port controllers
- On-chip microcontroller
 - Manages I/Os, VBUS, and other signals
- 8 KB RAM, 64 KB ROM
- 8 KB One Time Programmable (OTP) ROM
 - Includes on-chip charge pump
- Configuration programming via OTP ROM, SPI ROM, or SMBus
- **PortSwap**
 - Configurable differential intro-pair signal swapping
- **PHYBoost**[™]
 - Programmable USB transceiver drive strength for recovering signal integrity
- **VariSense**[™]
 - Programmable USB receiver sensitivity
- Compatible with Microsoft Windows 8, 7, XP, Apple OS X 10.4+, and Linux hub drivers
- Optimized for low-power operation and low thermal dissipation
- Package
 - 64-pin VQFN (9 x 9 mm)
- Environmental
 - 3 kV HBM JESD22-A114F ESD protection
 - Commercial temperature range (0°C to +70°C)
 - Industrial temperature range (-40°C to +85°C)

* USB Type-C[®] and USB-C[®] are trademarks of USB Implementation Forum.

TO OUR VALUED CUSTOMERS

It is our intention to provide our valued customers with the best documentation possible to ensure successful use of your Microchip products. To this end, we will continue to improve our publications to better suit your needs. Our publications will be refined and enhanced as new volumes and updates are introduced.

If you have any questions or comments regarding this publication, please contact the Marketing Communications Department via E-mail at docerrors@microchip.com. We welcome your feedback.

Most Current Documentation

To obtain the most up-to-date version of this documentation, please register at our Worldwide Web site at:

<http://www.microchip.com>

You can determine the version of a data sheet by examining its literature number found on the bottom outside corner of any page. The last character of the literature number is the version number, (e.g., DS30000000A is version A of document DS30000000).

Errata

An errata sheet, describing minor operational differences from the data sheet and recommended workarounds, may exist for current devices. As device/documentation issues become known to us, we will publish an errata sheet. The errata will specify the revision of silicon and revision of document to which it applies.

To determine if an errata sheet exists for a particular device, please check with one of the following:

- Microchip's Worldwide Web site; <http://www.microchip.com>
- Your local Microchip sales office (see last page)

When contacting a sales office, please specify which device, revision of silicon and data sheet (include -literature number) you are using.

Customer Notification System

Register on our web site at www.microchip.com to receive the most current information on all of our products.

Table of Contents

- 1.0 Preface 4
- 2.0 Introduction 6
- 3.0 Pin Description and Configuration 8
- 4.0 Device Connections 26
- 5.0 Modes of Operation 28
- 6.0 Device Configuration 31
- 7.0 Device Interfaces 33
- 8.0 Functional Descriptions 35
- 9.0 Compliance Update 41
- 10.0 Operational Characteristics 42
- 11.0 Package Information 51

USB5734

1.0 PREFACE

1.1 General Terms

TABLE 1-1: GENERAL TERMS

| Term | Description |
|------------------------|--|
| ADC | Analog-to-Digital Converter |
| Byte | 8 bits |
| CDC | Communication Device Class |
| CSR | Control and Status Registers |
| DWORD | 32 bits |
| EOP | End of Packet |
| EP | Endpoint |
| FIFO | First In First Out buffer |
| FS | Full-Speed |
| FSM | Finite State Machine |
| GPIO | General Purpose I/O |
| HS | Hi-Speed |
| HSOS | High Speed Over Sampling |
| Hub Feature Controller | The Hub Feature Controller, sometimes called a Hub Controller for short is the internal processor used to enable the unique features of the USB Controller Hub. This is not to be confused with the USB Hub Controller that is used to communicate the hub status back to the Host during a USB session. |
| I ² C | Inter-Integrated Circuit |
| LS | Low-Speed |
| lsb | Least Significant Bit |
| LSB | Least Significant Byte |
| msb | Most Significant Bit |
| MSB | Most Significant Byte |
| N/A | Not Applicable |
| NC | No Connect |
| OTP | One Time Programmable |
| PCB | Printed Circuit Board |
| PCS | Physical Coding Sublayer |
| PHY | Physical Layer |
| PLL | Phase Lock Loop |
| RESERVED | Refers to a reserved bit field or address. Unless otherwise noted, reserved bits must always be zero for write operations. Unless otherwise noted, values are not guaranteed when reading reserved bits. Unless otherwise noted, do not read or write to reserved addresses. |
| SDK | Software Development Kit |
| SMBus | System Management Bus |
| UUID | Universally Unique Identifier |
| WORD | 16 bits |

1.2 Reference Documents

1. *UNICODE UTF-16LE For String Descriptors* USB Engineering Change Notice, December 29th, 2004, <http://www.usb.org>
2. *Universal Serial Bus Revision 3.2 Specification*, <http://www.usb.org/developers/docs/>
3. *Battery Charging Specification*, Revision 1.2, Dec. 07, 2010, <http://www.usb.org>
4. *I²C-Bus Specification*, Version 1.1, <http://www.nxp.com>
5. *System Management Bus Specification*, Version 1.0, <http://smbus.org/specs>

USB5734

2.0 INTRODUCTION

2.1 General Description

The Microchip USB5734 hub is low-power, OEM configurable, USB 3.2 Gen 1 hub feature controller with 4 downstream ports and advanced features for embedded USB applications. The USB5734 is fully compliant with the *Universal Serial Bus Revision 3.2 Specification* and *USB 2.0 Link Power Management Addendum*. The USB5734 supports 5 Gbps SuperSpeed (SS), 480 Mbps Hi-Speed (HS), 12 Mbps Full-Speed (FS), and 1.5 Mbps Low-Speed (LS) USB downstream devices on all enabled downstream ports.

The USB5734 supports the legacy USB speeds (HS/FS/LS) through a dedicated USB 2.0 hub feature controller that is the culmination of five generations of Microchip hub feature controller design and experience with proven reliability, interoperability, and device compatibility. The SuperSpeed hub feature controller operates in parallel with the USB 2.0 controller, decoupling the 5 Gbps SS data transfers from bottlenecks due to the slower USB 2.0 traffic.

The USB5734 enables OEMs to configure their system using “Configuration Straps.” These straps simplify the configuration process assigning default values to USB 3.2 Gen 1 ports and GPIOs OEMs can disable ports, enable battery charging and define GPIO functions as default assignments on power up removing the need for OTP or external SPI ROM.

The USB5734 supports downstream battery charging. The USB5734 integrated battery charger detection circuitry supports the USB-IF Battery Charging (BC1.2) detection method and most Apple devices. The USB5734 provides the battery charging handshake and supports the following USB-IF BC1.2 charging profiles:

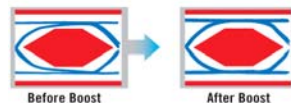
- DCP: Dedicated Charging Port (Power brick with no data)
- CDP: Charging Downstream Port (1.5A with data)
- SDP: Standard Downstream Port (0.5A with data)
- Custom profiles loaded via SMBus or OTP

The USB5734 provides an additional USB endpoint dedicated for use as a USB to I²C/UART/SPI/GPIO interface, allowing external circuits or devices to be monitored, controlled, or configured via the USB interface. Additionally, the USB5734 includes many powerful and unique features such as:

FlexConnect, which provides flexible connectivity options. One of the USB5734’s downstream ports can be reconfigured to become the upstream port, allowing master capable devices to control other devices on the hub.

PortSwap, which adds per-port programmability to USB differential-pair pin locations. PortSwap allows direct alignment of USB signals (D+/D-) to connectors to avoid uneven trace length or crossing of the USB differential signals on the PCB.

PHYBoost, which provides programmable levels of Hi-Speed USB signal drive strength in the downstream port transceivers. PHYBoost attempts to restore USB signal integrity in a compromised system environment. The graphic on the right shows an example of Hi-Speed USB eye diagrams before and after PHYBoost signal integrity restoration. in a compromised system environment

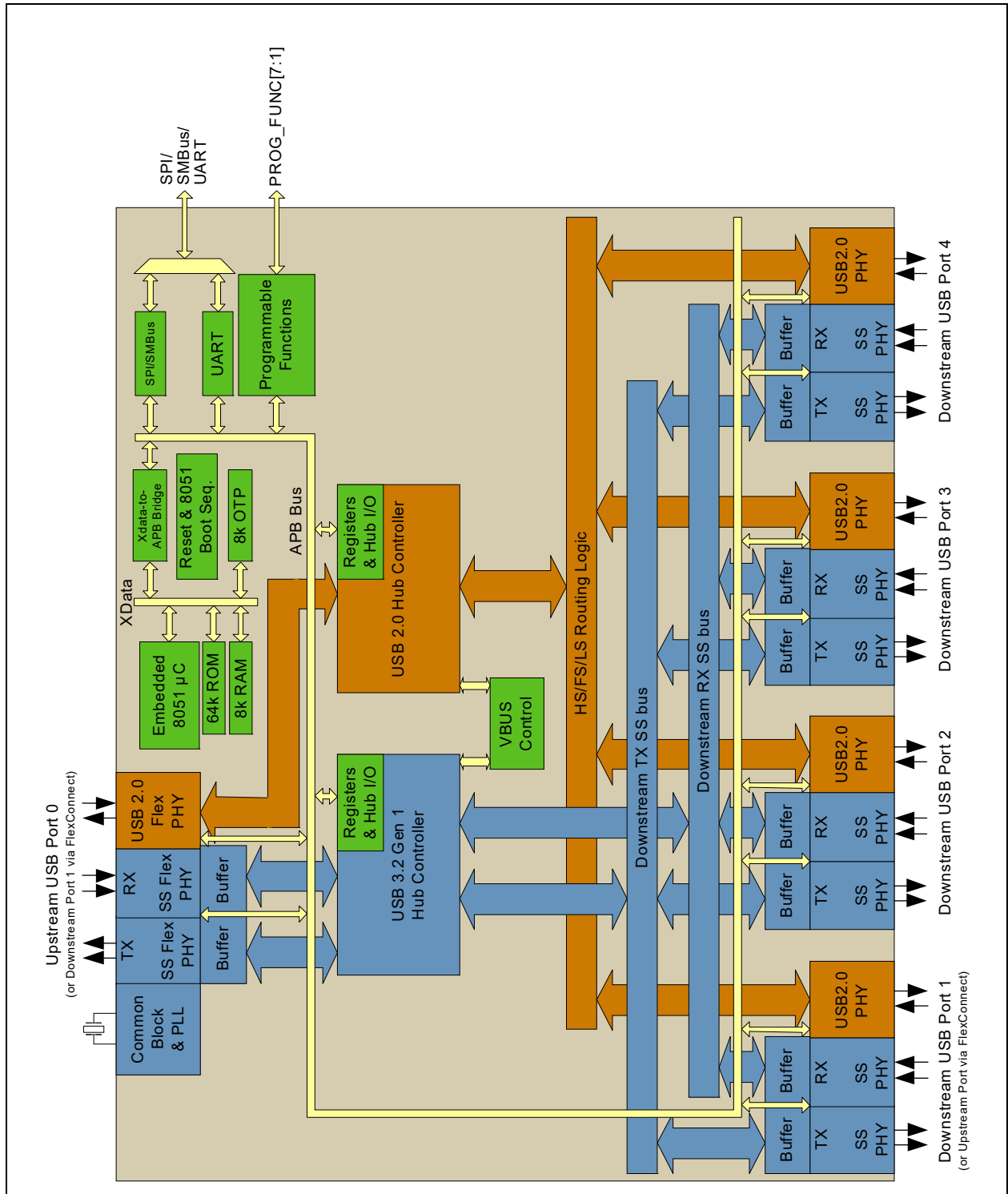


VariSense, which controls the USB receiver sensitivity enabling programmable levels of USB signal receive sensitivity. This capability allows operation in a sub-optimal system environment, such as when a captive USB cable is used.

The USB5734 can be configured for operation through internal default settings. Custom OEM configurations are supported through external SPI ROM or OTP ROM. All port control signal pins are under firmware control in order to allow for maximum operational flexibility, and are available as GPIOs for customer specific use.

The USB5734 is available in commercial (0°C to +70°C) and industrial (-40°C to +85°C) temperature ranges. An internal block diagram of the USB5734 is shown in [Figure 2-1](#).

FIGURE 2-1: INTERNAL BLOCK DIAGRAM

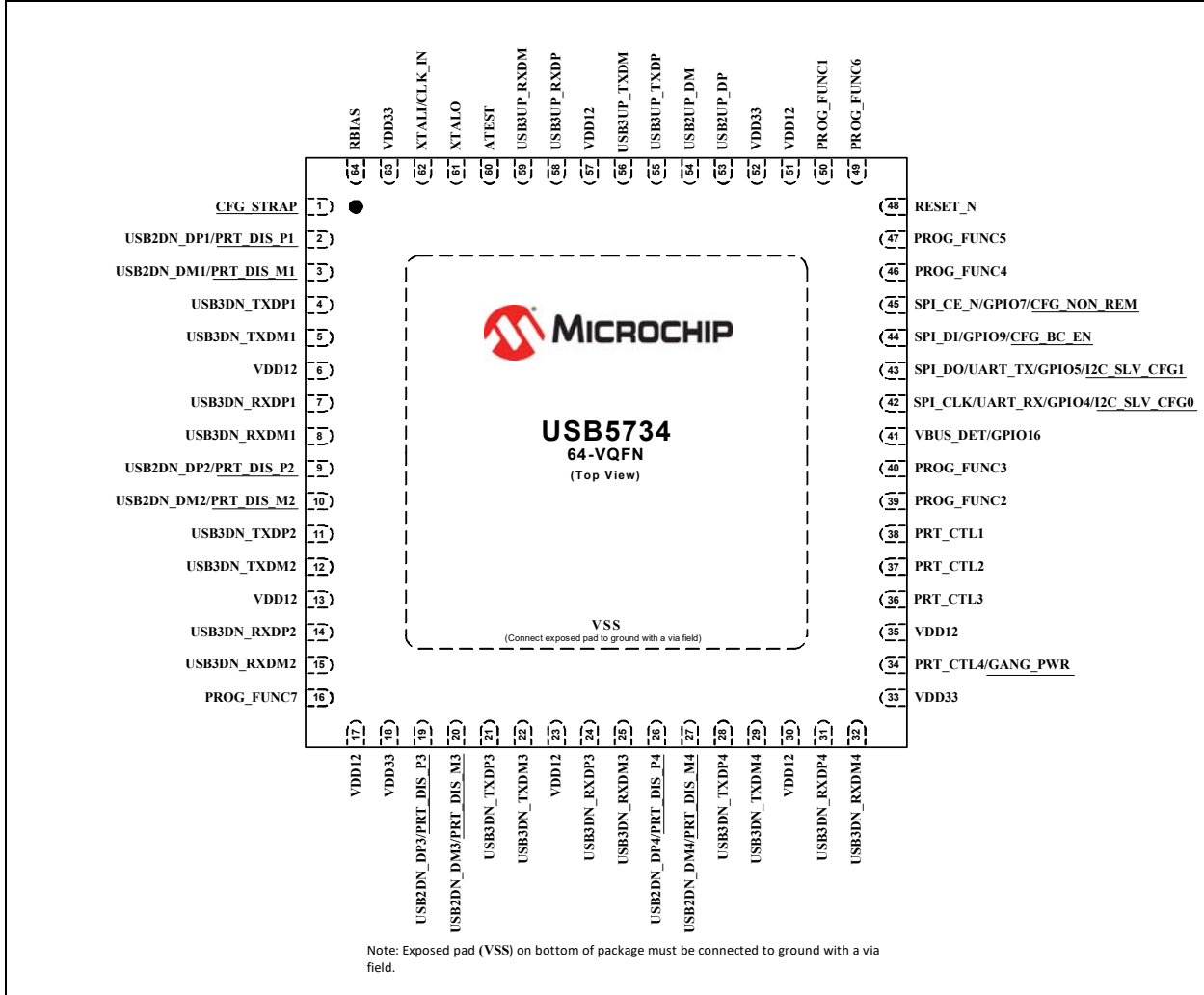


USB5734

3.0 PIN DESCRIPTION AND CONFIGURATION

3.1 Pin Assignments

FIGURE 3-1: 64-VQFN PIN ASSIGNMENTS



Note 1: Configuration straps are identified by an underlined symbol name. Signals that function as configurations traps must be augmented with an external resistor when connected to a load. Refer to [Section 3.4, "Configuration Straps and Programmable Functions"](#) for additional information.

Table 3-1 details the package pin assignments in table format.

TABLE 3-1: 64-VQFN PIN ASSIGNMENTS

| Pin Num. | Pin Name | Reset State | Pin Num. | Pin Name | Reset State |
|----------|-------------------------------|-------------|----------|---|-------------|
| 1 | <u>CFG_STRAP</u> | Z | 33 | VDD33 | A/P |
| 2 | USB2DN_DP1/ <u>PRT_DIS_P1</u> | PD-15k | 34 | <u>PRT_CTL4/GANG_PWR</u> | PD-50k |
| 3 | USB2DN_DM1/ <u>PRT_DIS_M1</u> | PD-15k | 35 | VDD12 | A/P |
| 4 | USB3DN_TXDP1 | Z | 36 | PRT_CTL3 | PD-50k |
| 5 | USB3DN_TXDM1 | Z | 37 | PRT_CTL2 | PD-50k |
| 6 | VDD12 | A/P | 38 | PRT_CTL1 | PD-50k |
| 7 | USB3DN_RXDP1 | Z | 39 | PROG_FUNC2 | Z |
| 8 | USB3DN_RXDM1 | Z | 40 | PROG_FUNC3 | Z |
| 9 | USB2DN_DP2/ <u>PRT_DIS_P2</u> | PD-15k | 41 | VBUS_DET/GPIO16 | Z |
| 10 | USB2DN_DM2/ <u>PRT_DIS_M2</u> | PD-15k | 42 | <u>SPI_CLK/UART_RX/GPIO4/I2C_SLV_CFG0</u> | Z |
| 11 | USB3DN_TXDP2 | Z | 43 | <u>SPI_DO/UART_TX/GPIO5/I2C_SLV_CFG1</u> | PD-50k |
| 12 | USB3DN_TXDM2 | Z | 44 | <u>SPI_DI/GPIO9/CFG_BC_EN</u> | Z |
| 13 | VDD12 | A/P | 45 | <u>SPI_CE_N/GPIO7/CFG_NON_REM</u> | PU-50k |
| 14 | USB3DN_RXDP2 | Z | 46 | PROG_FUNC4 | Z |
| 15 | USB3DN_RXDM2 | Z | 47 | PROG_FUNC5 | Z |
| 16 | PROG_FUNC7 | Z | 48 | RESET_N | R |
| 17 | VDD12 | A/P | 49 | PROG_FUNC6 | Z |
| 18 | VDD33 | A/P | 50 | PROG_FUNC1 | Z |
| 19 | USB2DN_DP3/ <u>PRT_DIS_P3</u> | PD-15k | 51 | VDD12 | A/P |
| 20 | USB2DN_DM3/ <u>PRT_DIS_M3</u> | PD-15k | 52 | VDD33 | A/P |
| 21 | USB3DN_TXDP3 | Z | 53 | USB2UP_DP | PD-1M |
| 22 | USB3DN_TXDM3 | Z | 54 | USB2UP_DM | PD-1M |
| 23 | VDD12 | A/P | 55 | USB3UP_TXDP | Z |
| 24 | USB3DN_RXDP3 | Z | 56 | USB3UP_TXDM | Z |
| 25 | USB3DN_RXDM3 | Z | 57 | VDD12 | A/P |
| 26 | USB2DN_DP4/ <u>PRT_DIS_P4</u> | PD-15k | 58 | USB3UP_RXDP | Z |
| 27 | USB2DN_DM4/ <u>PRT_DIS_M4</u> | PD-15k | 59 | USB3UP_RXDM | Z |
| 28 | USB3DN_TXDP4 | Z | 60 | ATEST | Z |
| 29 | USB3DN_TXDM4 | Z | 61 | XTALO | A/P |
| 30 | VDD12 | A/P | 62 | XTALI/CLK_IN | A/P |
| 31 | USB3DN_RXDP4 | Z | 63 | VDD33 | A/P |
| 32 | USB3DN_RXDM4 | Z | 64 | RBIAS | A/P |

The pin reset state definitions are detailed in Table 3-2.

USB5734

TABLE 3-2: PIN RESET STATE LEGEND

| Symbol | Description |
|--------|--|
| A/P | Analog/Power Input |
| R | Reset Control Input |
| Z | Hardware disables output driver (high impedance) |
| PU-50k | Hardware enables internal 50kΩ pull-up |
| PD-50k | Hardware enables internal 50kΩ pull-down |
| PD-15k | Hardware enables internal 15kΩ pull-down |
| PD-1M | Hardware enables internal 1M pull-down |

3.2 Pin Descriptions

This section contains descriptions of the various USB5734 pins. This pin descriptions have been broken into functional groups as follows:

- [USB 3.2 Gen 1 Pin Descriptions](#)
- [USB 2.0 Pin Descriptions](#)
- [USB Port Control Pin Descriptions](#)
- [SPI/UART Pin Descriptions](#)
- [Programmable Function Pin Descriptions](#)
- [Miscellaneous Pin Descriptions](#)
- [Power and Ground Pin Descriptions](#)

The “_N” symbol in the signal name indicates that the active, or asserted, state occurs when the signal is at a low voltage level. For example, **RESET_N** indicates that the reset signal is active low. When “_N” is not present after the signal name, the signal is asserted when at the high voltage level.

The terms assertion and negation are used exclusively. This is done to avoid confusion when working with a mixture of “active low” and “Active high” signals. The term assert, or assertion, indicates that a signal is active, independent of whether that level is represented by a high or low voltage. The term negate, or negation, indicates that a signal is inactive.

Note: The buffer type for each signal is indicated in the “Buffer Type” column of the pin description tables. A description of the buffer types is provided in [Section 3.3, "Buffer Types," on page 15](#). For additional information on configuration straps and configurable pins, refer to [Section 3.4, "Configuration Straps and Programmable Functions"](#).

TABLE 3-3: USB 3.2 GEN 1 PIN DESCRIPTIONS

| Num Pins | Symbol | Buffer Type | Description |
|----------|-----------------|-------------|---|
| 1 | USB3UP_TXDP | IO-U | USB 3.2 Gen 1 upstream SuperSpeed transmit data plus. |
| 1 | USB3UP_TXDM | IO-U | USB 3.2 Gen 1 upstream SuperSpeed transmit data minus. |
| 1 | USB3UP_RXDP | IO-U | USB 3.2 Gen 1 upstream SuperSpeed receive data plus. |
| 1 | USB3UP_RXDM | IO-U | USB 3.2 Gen 1 upstream SuperSpeed receive data minus. |
| 4 | USBDN_TXDP[4:1] | IO-U | USB 3.2 Gen 1 downstream ports 4-1 SuperSpeed transmit data plus. Note: If unused, leave floating. |
| 4 | USBDN_TXDM[4:1] | IO-U | USB 3.2 Gen 1 downstream ports 4-1 SuperSpeed transmit data minus. Note: If unused, leave floating. |
| 4 | USBDN_RXDP[4:1] | IO-U | USB 3.2 Gen 1 downstream ports 4-1 SuperSpeed receive data plus. Note: If unused, leave floating. |
| 4 | USBDN_RXDM[4:1] | IO-U | USB 3.2 Gen 1 downstream ports 4-1 SuperSpeed receive data minus. Note: If unused, leave floating. |

TABLE 3-4: USB 2.0 PIN DESCRIPTIONS

| Num Pins | Symbol | Buffer Type | Description |
|----------|-----------------------|-------------|--|
| 1 | USB2UP_DP | IO-U | USB 2.0 upstream data plus (D+). |
| 1 | USB2UP_DM | IO-U | USB 2.0 upstream data minus (D-). |
| 4 | USB2DN_DP[4:1] | IO-U | USB 2.0 downstream ports 4-1 data plus (D+). |
| | <u>PRT_DIS_P[4:1]</u> | I | Port 4-1 D+ Disable Configuration Strap. These configuration straps are used in conjunction with the corresponding <u>PRT_DIS_M[4:1]</u> straps to disable the related port (4-1). Refer to Section 3.4.2, "Port Disable Configuration (PRT_DIS_P[4:1] / PRT_DIS_M[4:1])" for more information. See Note 2 . |
| 4 | USB2DN_DM[4:1] | IO-U | USB 2.0 downstream ports 4-1 data minus (D-). |
| | <u>PRT_DIS_M[4:1]</u> | I | Port 4-1 D- Disable Configuration Strap. These configuration straps are used in conjunction with the corresponding <u>PRT_DIS_P[4:1]</u> straps to disable the related port (4-1). Refer to Section 3.4.2, "Port Disable Configuration (PRT_DIS_P[4:1] / PRT_DIS_M[4:1])" for more information. See Note 2 . |

USB5734

TABLE 3-4: USB 2.0 PIN DESCRIPTIONS (CONTINUED)

| Num Pins | Symbol | Buffer Type | Description |
|----------|----------------------|-------------|---|
| 1 | VBUS_DET | IS | <p>This signal detects the state of the upstream bus power.</p> <p>When designing a detachable hub, this pin must be connected to the VBUS power pin of the upstream USB port through a resistor divider (50 kΩ by 100 kΩ) to provide 3.3 V.</p> <p>For self-powered applications with a permanently attached host, this pin must be connected to either 3.3 V or 5.0 V through a resistor divider to provide 3.3 V.</p> <p>In embedded applications, VBUS_DET may be controlled (toggled) when the host desires to renegotiate a connection without requiring a full reset of the device.</p> |
| | <u>GPIO16</u> | I/O6 | General purpose input/output 16. |

Note 2: Configuration strap values are latched on Power-On Reset (POR) and the rising edge of **RESET_N** (external chip reset). Configuration straps are identified by an underlined symbol name. Signals that function as configurations traps must be augmented with an external resistor when connected to a load. Refer to [Section 3.4, "Configuration Straps and Programmable Functions"](#) for additional information.

TABLE 3-5: USB PORT CONTROL PIN DESCRIPTIONS

| Num Pins | Symbol | Buffer Type | Description |
|----------|------------------------|-------------|---|
| 1 | PRT_CTL1 | I (PU) | <p>Port 1 Power Enable / Overcurrent Sense.</p> <p>Note: If unused, leave floating.</p> <p>As an output, this signal is an active high control signal used to enable power to the downstream port 1. As an input, this signal indicates an overcurrent condition from an external current monitor on USB port 1.</p> |
| 1 | PRT_CTL2 | I (PU) | <p>Port 2 Power Enable / Overcurrent Sense.</p> <p>Note: If unused, leave floating.</p> <p>As an output, this signal is an active high control signal used to enable power to the downstream port 2. As an input, this signal indicates an overcurrent condition from an external current monitor on USB port 2.</p> |
| 1 | PRT_CTL3 | I (PU) | <p>Port 3 Power Enable / Overcurrent Sense.</p> <p>Note: If unused, leave floating.</p> <p>As an output, this signal is an active high control signal used to enable power to the downstream port 3. As an input, this signal indicates an overcurrent condition from an external current monitor on USB port 3.</p> |
| 1 | PRT_CTL4 | I (PU) | <p>Port 4 Power Enable / Overcurrent Sense.</p> <p>Note: If unused, leave floating.</p> <p>As an output, this signal is an active high control signal used to enable power to the downstream port 4. As an input, this signal indicates an overcurrent condition from an external current monitor on USB port 4.</p> |
| | <u>GANG_PWR</u> | I (PU) | When pulled high enables gang mode. Gang power pin when used in gang mode. |

TABLE 3-6: SPI/UART PIN DESCRIPTIONS

| Num Pins | Symbol | Buffer Type | Description |
|----------|---------------------|-------------|--|
| 1 | SPI_CE_N | O12 | Active low SPI chip enable output. |
| | GPIO7 | I/O12 | General purpose input/output 7. |
| | <u>CFG_NON_REM</u> | I | Non-Removable Port Configuration Strap. This configuration strap is used to configure the number of non-removable ports. Refer to Section 3.4.3, "Non-Removable Port Configuration (CFG_NON_REM)" for more information. See Note 3 . |
| 1 | SPI_CLK | O6 | SPI clock output to the serial ROM, when configured for SPI operation. |
| | UART_RX | I | UART receive pin, when configured for UART operation. |
| | GPIO4 | I/O6 | General purpose input/output 4. |
| | <u>I2C_SLV_CFG0</u> | I | I ² C Slave 0 Configuration Strap. This configuration strap is used to configure I ² C controller 0. Refer to Section 3.4.1, "SPI/SMBus/I2C/UART Configuration (I2C_SLV_CFG[1:0])" for additional information. |
| 1 | SPI_DO | O6 | SPI data output, when configured for SPI operation. |
| | UART_TX | O12 | UART transmit pin, when configured for UART operation. |
| | GPIO5 | I/O6 | General purpose input/output 5. |
| | <u>I2C_SLV_CFG1</u> | I | I ² C Slave 1 Configuration Strap. This configuration strap is used to configure I ² C controller 1. Refer to Section 3.4.1, "SPI/SMBus/I2C/UART Configuration (I2C_SLV_CFG[1:0])" for additional information. |
| 1 | SPI_DI | IS | SPI data input, when configured for SPI operation. |
| | GPIO9 | I/O12 | General purpose input/output 9. |
| | <u>CFG_BC_EN</u> | I | Battery Charging Configuration Strap. This configuration strap is used to enable battery charging. Refer to Section 3.4.4, "Battery Charging Configuration (CFG_BC_EN)" for more information. See Note 3 . |

Note 3: Configuration strap values are latched on Power-On Reset (POR) and the rising edge of RESET_N (external chip reset). Configuration straps are identified by an underlined symbol name. Signals that function as configurations traps must be augmented with an external resistor when connected to a load. Refer to [Section 3.4, "Configuration Straps and Programmable Functions"](#) for additional information.

USB5734

TABLE 3-7: PROGRAMMABLE FUNCTION PIN DESCRIPTIONS

| Num Pins | Symbol | Buffer Type | Description |
|----------|------------------|-------------|--|
| 7 | PROG_FUNC[7:1] | Note 4 | Programmable function pins 7-1. The functions of these pins are configured via the <u>CFG_STRAP</u> pin. Refer to Section 3.4.5, "Device Mode / PROG_FUNC[7:1] Configuration (CFG_STRAP)" for additional information. |
| 1 | <u>CFG_STRAP</u> | I | Device Mode Configuration Strap. This configuration strap is used to set the device mode. Refer to Section 3.4.5, "Device Mode / PROG_FUNC[7:1] Configuration (CFG_STRAP)" for more information. See Note 5. |

Note 4: The PROG_FUNC2 buffer type is I/O6. The PROG_FUNC7 buffer type is I/O10. All other PROG_FUNCx pins have a buffer type of I/O12.

Note 5: Configuration strap values are latched on Power-On Reset (POR) and the rising edge of RESET_N (external chip reset). Configuration straps are identified by an underlined symbol name. Signals that function as configurations traps must be augmented with an external resistor when connected to a load. Refer to Section 3.4, "Configuration Straps and Programmable Functions" for additional information.

TABLE 3-8: MISCELLANEOUS PIN DESCRIPTIONS

| Num Pins | Symbol | Buffer Type | Description |
|----------|---------|-------------|---|
| 1 | RESET_N | IS | The RESET_N pin puts the device into Reset Mode. |
| 1 | XTALI | ICLK | External 25 MHz crystal input |
| | CLK_IN | ICLK | External reference clock input. The device may alternatively be driven by a single-ended clock oscillator. When this method is used, XTALO should be left unconnected. |
| 1 | XTALO | OCLK | External 25 MHz crystal output |
| 1 | RBIAS | AI | A 12.0 kΩ (+/- 1%) resistor is attached from ground to this pin to set the transceiver's internal bias settings. |
| 1 | ATEST | AI | Analog test pin. This signal is used for test purposes and must always be connected to ground. |

TABLE 3-9: POWER AND GROUND PIN DESCRIPTIONS

| Num Pins | Symbol | Buffer Type | Description |
|----------|--------|-------------|--|
| 4 | VDD33 | P | +3.3 V power and internal regulator input Refer to Section 4.1, "Power Connections" for power connection information. |
| 8 | VDD12 | P | +1.2 V core power Refer to Section 4.1, "Power Connections" for power connection information. |
| Pad | VSS | P | Common ground. This exposed pad must be connected to the ground plane with a via array. |

3.3 Buffer Types

TABLE 3-10: BUFFER TYPES

| Buffer Type | Description |
|-------------|--|
| I | Input |
| IS | Schmitt-triggered input |
| O6 | Output with 6 mA sink and 6 mA source |
| O10 | Output with 10 mA sink and 10 mA source |
| O12 | Output with 12 mA sink and 12 mA source |
| OD12 | Open-drain output with 12 mA sink |
| PU | 50 μ A (typical) internal pull-up. Unless otherwise noted in the pin description, internal pull-ups are always enabled. Internal pull-up resistors prevent unconnected inputs from floating. Do not rely on internal resistors to drive signals external to the device. When connected to a load that must be pulled high, an external resistor must be added. |
| PD | 50 μ A (typical) internal pull-down. Unless otherwise noted in the pin description, internal pull-downs are always enabled. Internal pull-down resistors prevent unconnected inputs from floating. Do not rely on internal resistors to drive signals external to the device. When connected to a load that must be pulled low, an external resistor must be added. |
| IO-U | Analog input/output as defined in USB specification |
| AI | Analog input |
| ICLK | Crystal oscillator input pin |
| OCLK | Crystal oscillator output pin |
| P | Power pin |

Note: Refer to [Section 10.5, "DC Specifications"](#) for individual buffer DC electrical characteristics.

USB5734

3.4 Configuration Straps and Programmable Functions

Configuration straps are multi-function pins that are used during Power-On Reset (POR) or external chip reset (RESET_N) to determine the default configuration of a particular feature. The state of the signal is latched following deassertion of the reset. Configuration straps are identified by an underlined symbol name. This section details the various device configuration straps and associated programmable pin functions.

Note: The system designer must guarantee that configuration straps meet the timing requirements specified in [Section 10.6.2, "Power-On and Configuration Strap Timing," on page 46](#) and [Section 10.6.3, "Reset and Configuration Strap Timing," on page 47](#). If configuration straps are not at the correct voltage level prior to being latched, the device may capture incorrect strap values.

3.4.1 SPI/SMBUS/I²C/UART CONFIGURATION (I2C_SLV_CFG[1:0])

The SPI/SMBus/I²C/UART pins can be configured into one of four functional modes:

- SPI Mode
- SMBus Slave Enable Mode
- I²C Bridging Mode
- UART Mode

If 10 kΩ pull-up resistors are detected on **SPI_DO** and **SPI_CLK**, the SPI/SMBus/I²C/UART pins are configured into SMBus Slave Enable Mode. If a 10 kΩ pull-down resistor is detected on **SPI_DO**, the SPI/SMBus/I²C/UART pins are configured into UART Mode. If no pull-ups or pull-downs are detected on **SPI_DO** and **SPI_CLK**, the SPI/SMBus/I²C/UART pins are first configured into SPI Mode. If no valid SPI ROM is detected, the SPI/SMBus/I²C/UART pins are configured into I²C Bridging Mode. The strap settings for these supported modes are detailed in [Table 3-11](#). The individual pin function assignments for each mode are detailed in [Table 3-12](#). For additional device connection information, refer to [Section 4.0, "Device Connections"](#).

Note: The following interfaces cannot be used simultaneously:

- UART and SMBus Slave
- UART and SPI
- SMBus Slave and I²C Bridging interface

TABLE 3-11: SPI/SMBUS/I²C/UART MODE CONFIGURATION SETTINGS

| Pin | SPI Mode (Note 6) | SMBus Slave Enable Mode (Note 7) | I ² C Bridging Mode (Note 8) | UART Mode |
|--------------------------|--|---|--|-----------------|
| 43 (SPI_DO) | No pull-up/down | 10 kΩ pull-up | No pull-up/down | 10 kΩ pull-down |
| 42 (SPI_CLK) | No pull-up/down | 10 kΩ pull-up | No pull-up/down | No pull-up/down |

Note 6: In order to use the SPI interface, an SPI ROM containing a valid signature of 2DFU (device firmware upgrade) beginning at address 0xFFFFA must be present. Refer to [Section 7.1, "SPI Master Interface"](#) for additional information.

Note 7: In order to use the SMBus slave interface, the **SPI_DO** and **SPI_CLK** pins must be configured for SMBus Slave Enable Mode and **CFG_STRAP** must be configured to Configuration 1, 2, 3, or 6, which programs the **PROG_FUNC4** and **PROG_FUNC5** pins as **SMDAT** and **SMCLK**, respectively. When in Configuration 4 or 5, the SMBus slave interface is not usable. Refer to [Section 3.4.5, "Device Mode / PROG_FUNC\[7:1\] Configuration \(CFG_STRAP\)"](#) for additional information.

Note 8: In order to use the I²C Bridging interface, the **SPI_DO** and **SPI_CLK** pins must be configured for I²C Bridging Mode and **CFG_STRAP** must be configured to Configuration 1, 2, 3, or 6, which programs the **PROG_FUNC4** and **PROG_FUNC5** pins as **SMDAT** and **SMCLK**, respectively. When in Configuration 4 or 5, the I²C Bridging interface is not usable. Additional hub register configuration is also required. Refer to [Section 3.4.5, "Device Mode / PROG_FUNC\[7:1\] Configuration \(CFG_STRAP\)"](#) and [Section 7.3, "I2C Bridge Interface"](#) for additional information.

TABLE 3-12: SPI/SMBUS/I²C/UART MODE PIN ASSIGNMENTS

| Pin | SPI Mode | SMBus Slave Enable Mode | I ² C Bridging Mode | UART Mode |
|-----|----------|-------------------------|--------------------------------|--------------------|
| 45 | SPI_CE_N | <u>CFG_NON_REM</u> | <u>CFG_NON_REM</u> | <u>CFG_NON_REM</u> |
| 44 | SPI_DI | <u>CFG_BC_EN</u> | <u>CFG_BC_EN</u> | <u>CFG_BC_EN</u> |
| 43 | SPI_DO | <u>I2C_SLV_CFG1</u> | - | UART_TX |
| 42 | SPI_CLK | <u>I2C_SLV_CFG0</u> | - | UART_RX |

3.4.2 PORT DISABLE CONFIGURATION (PRT_DIS_P[4:1] / PRT_DIS_M[4:1])

The PRT_DIS_P[4:1] and PRT_DIS_M[4:1] configuration straps are used in conjunction to disable the related port (4-1).

For PRT_DIS_P_x (where x is the corresponding port 4-1):

0 = Port x D+ Enabled

1 = Port x D+ Disabled

For PRT_DIS_M_x (where x is the corresponding port 4-1):

0 = Port x D- Enabled

1 = Port x D- Disabled

Note: Both PRT_DIS_P_x and PRT_DIS_M_x (where x is the corresponding port) must be tied to 3.3 V to disable the associated downstream port. Disabling the USB 2.0 port will also disable the corresponding USB 3.2 Gen 1 port.

3.4.3 NON-REMOVABLE PORT CONFIGURATION (CFG_NON_REM)

The CFG_NON_REM configuration strap is used to configure the non-removable port settings of the device to one of five settings. These modes are selected by the configuration of an external resistor on the CFG_NON_REM pin. The resistor options are a 200 kΩ pull-down, 200 kΩ pull-up, 10 kΩ pull-down, 10 kΩ pull-up, and 10 Ω pull-down, as shown in [Table 3-13](#).

TABLE 3-13: CFG_NON_REM RESISTOR ENCODING

| <u>CFG_NON_REM</u> Resistor Value | Setting |
|-----------------------------------|-------------------------------|
| 200 kΩ Pull-Down | All ports removable |
| 200 kΩ Pull-Up | Port 1 non-removable |
| 10 kΩ Pull-Down | Port 1, 2 non-removable |
| 10 kΩ Pull-Up | Port 1, 2, 3, non-removable |
| 10 Ω Pull-Down | Port 1, 2, 3, 4 non-removable |

USB5734

3.4.4 BATTERY CHARGING CONFIGURATION (CFG_BC_EN)

The CFG_BC_EN configuration strap is used to configure the battery charging port settings of the device to one of five settings. These modes are selected by the configuration of an external resistor on the CFG_BC_EN pin. The resistor options are a 200 k Ω pull-down, 200 k Ω pull-up, 10 k Ω pull-down, 10 k Ω pull-up, and 10 Ω pull-down, as shown in [Table 3-14](#).

TABLE 3-14: CFG_BC_EN RESISTOR ENCODING

| <u>CFG_BC_EN</u> Resistor Value | Setting |
|---------------------------------|----------------------------------|
| 200 k Ω Pull-Down | No battery charging |
| 200 k Ω Pull-Up | Port 1 battery charging |
| 10 k Ω Pull-Down | Port 1, 2 battery charging |
| 10 k Ω Pull-Up | Port 1, 2, 3, battery charging |
| 10 Ω Pull-Down | Port 1, 2, 3, 4 battery charging |

3.4.5 DEVICE MODE / PROG_FUNC[7:1] CONFIGURATION (CFG_STRAP)

The CFG_STRAP is used to configure the programmable function pins (PROG_FUNC[7:1]) into one of six modes. These modes are selected by the configuration of an external resistor on the CFG_STRAP pin. The resistor options are a 200 k Ω pull-down, 200 k Ω pull-up, 10 k Ω pull-down, 10 k Ω pull-up, 10 Ω pull-down, and 10 Ω pull-up, as shown in [Table 3-15](#). For details on each device mode, including pin assignments, refer to the following subsections.

TABLE 3-15: CFG_STRAP RESISTOR ENCODING

| <u>CFG_STRAP</u> Resistor Value | Mode |
|---------------------------------|--|
| 200 k Ω Pull-Down | Configuration 1 - Mixed Mode |
| 200 k Ω Pull-Up | Configuration 2 - FlexConnect Mode |
| 10 k Ω Pull-Down | Configuration 3 - Speed Indicator Mode |
| 10 k Ω Pull-Up | Configuration 4 - GPIO Mode (Reserved) |
| 10 Ω Pull-Down | Configuration 5 - Battery Charging / Power Delivery Indicator Mode |
| 10 Ω Pull-Up | Configuration 6 - Full UART Mode |

3.4.5.1 Configuration 1 - Mixed Mode

When the **CFG_STRAP** is configured to this mode, the programmable function pins (**PROG_FUNC[7:1]**) are set to provide an SMBus/I²C interface, 3 GPIOs, and FlexConnect capabilities. [Table 3-16](#) details the **PROG_FUNC[7:1]** pin assignments in this mode.

TABLE 3-16: CONFIGURATION 1 PROG_FUNC[7:1] FUNCTION ASSIGNMENT

| Pin | Function | Buffer Type | Description |
|------------|---------------|-------------|---|
| PROG_FUNC1 | GPIO1 | I/O12 | General Purpose Input/Output 1 |
| PROG_FUNC2 | GPIO2 | I/O6 | General Purpose Input/Output 2 |
| PROG_FUNC3 | GPIO3 | I/O12 | General Purpose Input/Output 3 |
| PROG_FUNC4 | SMDAT | OD12 | SMBus/I²C Data The SMBus/I ² C interface acts as SMBus slave or I ² C bridge dependent on the device configuration. Refer to Section 3.4.1 , " SPI/SMBus/I2C/UART Configuration (I2C_SLV_CFG[1:0]) ". |
| PROG_FUNC5 | SMCLK | OD12 | SMBus/I²C Clock The SMBus/I ² C interface acts as SMBus slave or I ² C bridge dependent on the device configuration. Refer to Section 3.4.1 , " SPI/SMBus/I2C/UART Configuration (I2C_SLV_CFG[1:0]) ". |
| PROG_FUNC6 | FLEXCMD | IS | FlexConnect Control 0: Normal Operation (Port 0 upstream, Port 1 downstream) 1: Flex Operation (Port 1 upstream, Port 0 downstream) Note: Refer to Section 8.2 , " FlexConnect " for additional information. |
| PROG_FUNC7 | USB2_SUSP_IND | O10 | USB2.0 Suspend Indicator USB2_SUSP_IND can be used as a sideband remote wakeup signal for the host when in USB2.0 suspend. Note: Refer to Section 8.5 , " Remote Wakeup Indicator " for additional information. |

USB5734

3.4.5.2 Configuration 2 - FlexConnect Mode

When the **CFG_STRAP** is configured to this mode, the programmable function pins (**PROG_FUNC[7:1]**) are set to provide FlexConnect, an SMBus/I²C interface, and other additional features. [Table 3-17](#) details the **PROG_FUNC[7:1]** pin assignments in this mode.

TABLE 3-17: CONFIGURATION 2 PROG_FUNC[7:1] FUNCTION ASSIGNMENT

| Pin | Function | Buffer Type | Description |
|------------|--------------|-------------|---|
| PROG_FUNC1 | HOST_TYPE0 | O12 | <p>Port 0 USB Host Type Tri-state: No USB host detected on Port 0 0: USB 3.2 Gen 1 Host detected on Port 0 1: USB 2.0 or USB 1.1 Host detected on Port 0</p> <p>A USB 2.0 Host is considered detected when the USB 2.0 hub address register holds a non-zero value. A USB 3.2 Gen 1 Host is considered detected when the USB 3.2 Gen 1 hub address register holds a non-zero value.</p> |
| PROG_FUNC2 | HOST_TYPE1 | O6 | <p>Port 1 USB Host Type Tri-state: No USB host detected on Port 1 0: USB 3.2 Gen 1 Host detected on Port 1 1: USB 2.0 or USB 1.1 Host detected on Port 1</p> <p>A USB 2.0 Host is considered detected when the USB 2.0 hub address register holds a non-zero value. A USB 3.2 Gen 1 Host is considered detected when the USB 3.2 Gen 1 hub address register holds a non-zero value.</p> |
| PROG_FUNC3 | FLEX_STATE_N | O12 | <p>FlexConnect State Compliment Indicator This signal reflects the inverse of the current state of FLEX-CMD. 0: Flex Operation (Port 1 upstream, Port 0 downstream) 1: Normal Operation (Port 0 upstream, Port 1 downstream)</p> <p>Note: Refer to Section 8.2, "FlexConnect" for additional information.</p> |
| PROG_FUNC4 | SMDAT | OD12 | <p>SMBus/I²C Data The SMBus/I²C interface acts as SMBus slave or I²C bridge dependent on the device configuration. Refer to Section 3.4.1, "SPI/SMBus/I2C/UART Configuration (I2C_SLV_CFG[1:0])".</p> |
| PROG_FUNC5 | SMCLK | OD12 | <p>SMBus/I²C Clock The SMBus/I²C interface acts as SMBus slave or I²C bridge dependent on the device configuration. Refer to Section 3.4.1, "SPI/SMBus/I2C/UART Configuration (I2C_SLV_CFG[1:0])".</p> |
| PROG_FUNC6 | FLEXCMD | IS | <p>FlexConnect Control 0: Normal Operation (Port 0 upstream, Port 1 downstream) 1: Flex Operation (Port 1 upstream, Port 0 downstream)</p> <p>Note: Refer to the Section 8.2, "FlexConnect" for additional information.</p> |
| PROG_FUNC7 | FLEX_STATE | O10 | <p>FlexConnect State Indicator This signal reflects the current state of FLEXCMD. 0: Normal Operation (Port 0 upstream, Port 1 downstream) 1: Flex Operation (Port 1 upstream, Port 0 downstream)</p> <p>Note: Refer to Section 8.2, "FlexConnect" for additional information.</p> |

3.4.5.3 Configuration 3 - Speed Indicator Mode

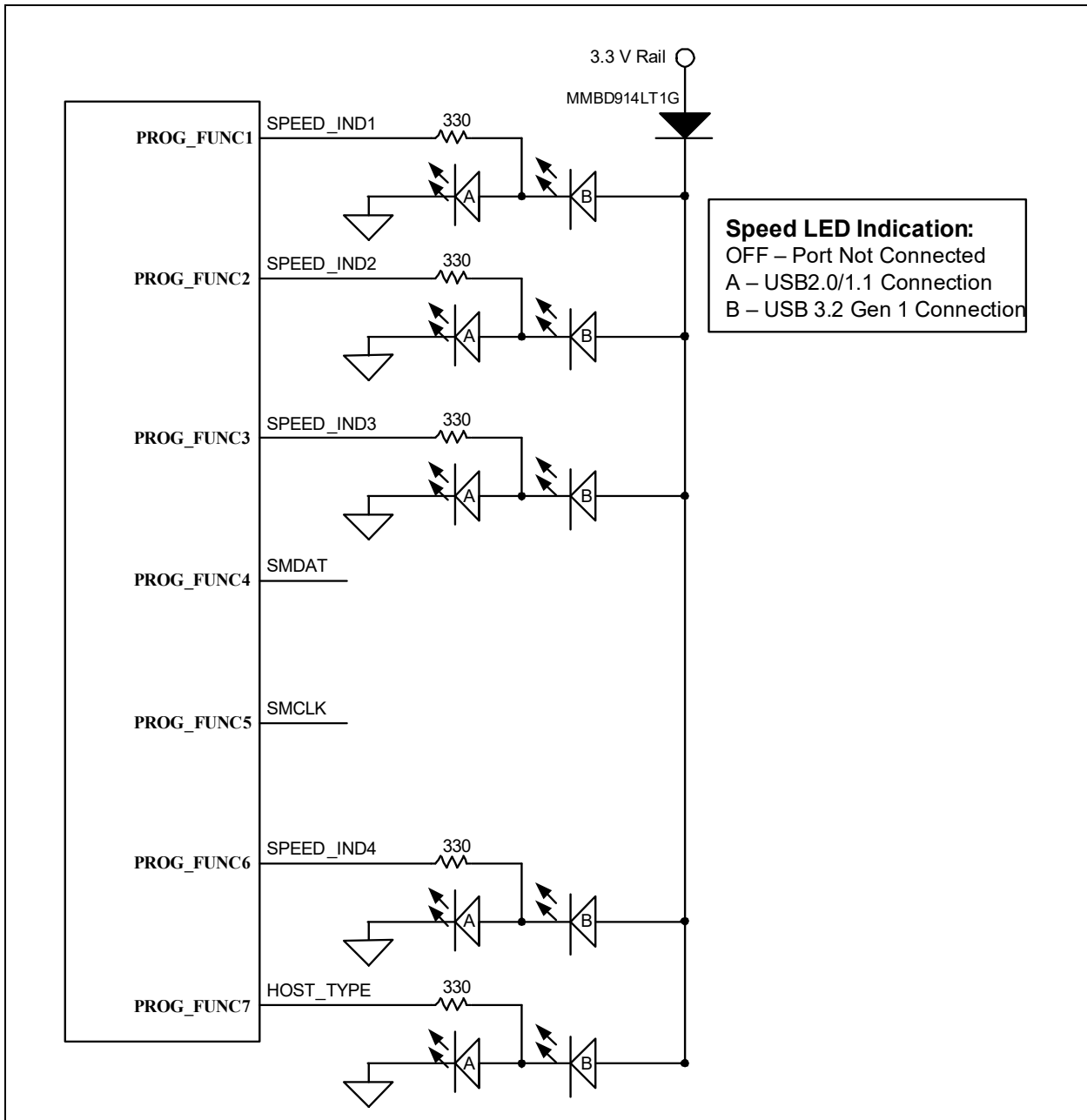
When the **CFG_STRAP** is configured to this mode, the programmable function pins (**PROG_FUNC[7:1]**) are set to indicate speed status, host type, and provide an SMBus/I²C interface. [Table 3-18](#) details the **PROG_FUNC[7:1]** pin assignments in this mode.

TABLE 3-18: CONFIGURATION 3 PROG_FUNC[7:1] FUNCTION ASSIGNMENT

| Pin | Function | Buffer Type | Description |
|------------|------------|-------------|--|
| PROG_FUNC1 | SPEED_IND1 | O12 | Port 1 Speed Indicator Tri-state: Not connected 0: USB 2.0 / USB 1.1 1: USB 3.2 Gen 1 |
| PROG_FUNC2 | SPEED_IND2 | O6 | Port 2 Speed Indicator Tri-state: Not connected 0: USB 2.0 / USB 1.1 1: USB 3.2 Gen 1 |
| PROG_FUNC3 | SPEED_IND3 | O12 | Port 3 Speed Indicator Tri-state: Not connected 0: USB 2.0 / USB 1.1 1: USB 3.2 Gen 1 |
| PROG_FUNC4 | SMDAT | OD12 | SMBus/I²C Data The SMBus/I ² C interface acts as SMBus slave or I ² C bridge dependent on the device configuration. Refer to Section 3.4.1 , " SPI/SMBus/I2C/UART Configuration (I2C_SLV_CFG[1:0]) ". |
| PROG_FUNC5 | SMCLK | OD12 | SMBus/I²C Clock The SMBus/I ² C interface acts as SMBus slave or I ² C bridge dependent on the device configuration. Refer to Section 3.4.1 , " SPI/SMBus/I2C/UART Configuration (I2C_SLV_CFG[1:0]) ". |
| PROG_FUNC6 | SPEED_IND4 | O12 | Port 4 Speed Indicator Tri-state: Not connected 0: USB 2.0 / USB 1.1 1: USB 3.2 Gen 1 |
| PROG_FUNC7 | HOST_TYPE | O10 | Port 0 USB Host Type Tri-state: No USB host detected on Port 0 0: USB 3.2 Gen 1 Host detected on Port 0 1: USB 2.0 or USB 1.1 Host detected on Port 0 A USB 2.0 Host is considered detected when the USB 2.0 hub address register holds a non-zero value. A USB 3.2 Gen 1 Host is considered detected when the USB 3.2 Gen 1 hub address register holds a non-zero value. |

USB5734

FIGURE 3-2: CONFIGURATION 3 PROG_FUNC[7:1] PIN CONNECTIONS



3.4.5.4 Configuration 4 - GPIO Mode (Reserved)

When the **CFG_STRAP** is configured to this mode, the programmable function pins (**PROG_FUNC[7:1]**) are set to provide 7 general purpose I/Os that can be used for GPIO bridging. [Table 3-19](#) details the **PROG_FUNC[7:1]** pin assignments in this mode.

TABLE 3-19: CONFIGURATION 4 PROG_FUNC[7:1] FUNCTION ASSIGNMENT

| Pin | Function | Buffer Type | Description |
|------------|----------|-------------|---------------------------------------|
| PROG_FUNC1 | GPIO1 | I/O12 | General Purpose Input/Output 1 |
| PROG_FUNC2 | GPIO2 | I/O6 | General Purpose Input/Output 2 |
| PROG_FUNC3 | GPIO3 | I/O12 | General Purpose Input/Output 3 |
| PROG_FUNC4 | GPIO6 | I/O12 | General Purpose Input/Output 4 |
| PROG_FUNC5 | GPIO8 | I/O12 | General Purpose Input/Output 5 |
| PROG_FUNC6 | GPIO10 | I/O12 | General Purpose Input/Output 6 |
| PROG_FUNC7 | GPIO11 | I/O10 | General Purpose Input/Output 7 |

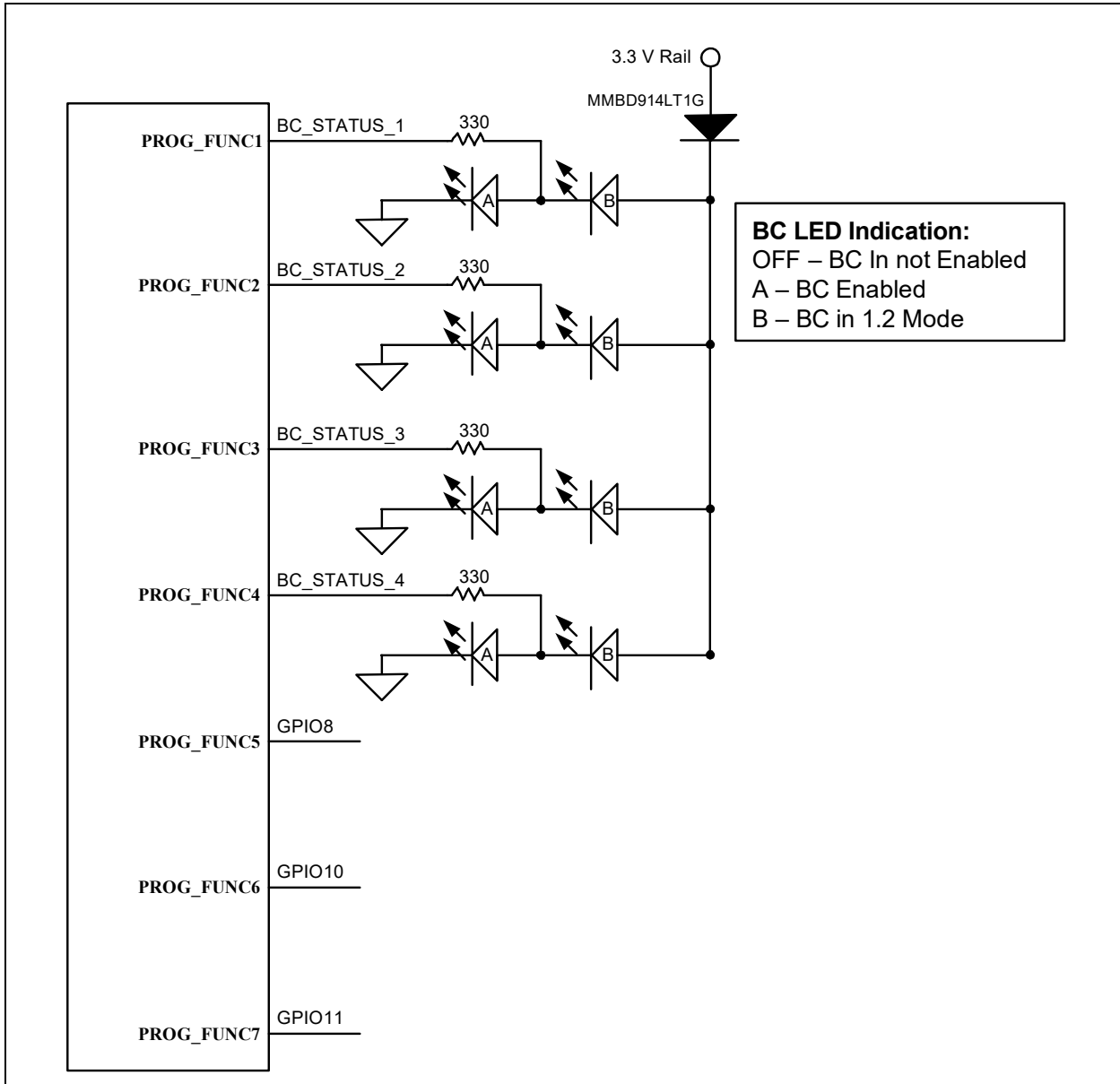
3.4.5.5 Configuration 5 - Battery Charging / Power Delivery Indicator Mode

When the **CFG_STRAP** is configured to this mode, the programmable function pins (**PROG_FUNC[7:1]**) are set to indicate battery charging and 3 general purpose I/Os. [Table 3-20](#) details the **PROG_FUNC[7:1]** pin assignments in this mode.

TABLE 3-20: CONFIGURATION 5 PROG_FUNC[7:1] FUNCTION ASSIGNMENT

| Pin | Function | Buffer Type | Description |
|------------|----------|-------------|---|
| PROG_FUNC1 | BC_IND1 | O12 | Port 1 Battery Charging Indicator Tri-state: Battery Charging not enabled 0: In BC 1.2 Mode 1: Battery Charging enabled |
| PROG_FUNC2 | BC_IND2 | O6 | Port 2 Battery Charging Indicator Tri-state: Battery Charging not enabled 0: In BC 1.2 Mode 1: Battery Charging enabled |
| PROG_FUNC3 | BC_IND3 | O12 | Port 3 Battery Charging Indicator Tri-state: Battery Charging not enabled 0: In BC 1.2 Mode 1: Battery Charging enabled |
| PROG_FUNC4 | BC_IND4 | O12 | Port 4 Battery Charging Indicator Tri-state: Battery Charging not enabled 0: In BC 1.2 Mode 1: Battery Charging enabled |
| PROG_FUNC5 | GPIO8 | I/O12 | General Purpose Input/Output 8 |
| PROG_FUNC6 | GPIO10 | I/O12 | General Purpose Input/Output 10 |
| PROG_FUNC7 | GPIO11 | I/O10 | General Purpose Input/Output 11 |

FIGURE 3-3: CONFIGURATION 5 PROG_FUNC[7:1] PIN CONNECTIONS



3.4.5.6 Configuration 6 - Full UART Mode

When the **CFG_STRAP** is configured to this mode, the programmable function pins (**PROG_FUNC[7:1]**) are set for full UART configuration and also provide an SMBus/I²C interface. In this mode the **PROG_FUNCx** pins are used in conjunction with the **UART_TX** and **UART_RX** pins for a full UART interface. [Table 3-21](#) details the **PROG_FUNC[7:1]** pin assignments in this mode.

Note: When flow control is disabled, **UART_nCTS**, **UART_nDCD**, and **UART_nDSR** must not be left floating. In this case, these pins should include external pull-downs to maintain UART communication in Full UART Mode with no flow control.

TABLE 3-21: CONFIGURATION 6 PROG_FUNC[7:1] FUNCTION ASSIGNMENT

| Pin | Function | Buffer Type | Description |
|------------|-----------|-------------|---|
| PROG_FUNC1 | UART_nRTS | I/O12 | UART Request To Send |
| PROG_FUNC2 | UART_nCTS | I/O6 | UART Clear To Send |
| PROG_FUNC3 | UART_nDCD | I/O12 | UART Data Carrier Detect |
| PROG_FUNC4 | SMDAT | OD12 | SMBus/I²C Data The SMBus/I ² C interface acts as SMBus slave or I ² C bridge dependent on the device configuration. Refer to Section 3.4.1 , " SPI/SMBus/I2C/UART Configuration (I2C_SLV_CFG[1:0]) ". |
| PROG_FUNC5 | SMCLK | OD12 | SMBus/I²C Clock The SMBus/I ² C interface acts as SMBus slave or I ² C bridge dependent on the device configuration. Refer to Section 3.4.1 , " SPI/SMBus/I2C/UART Configuration (I2C_SLV_CFG[1:0]) ". |
| PROG_FUNC6 | UART_nDTR | I/O12 | UART Data Terminal Ready |
| PROG_FUNC7 | UART_nDSR | I/O10 | UART Data Set Ready |

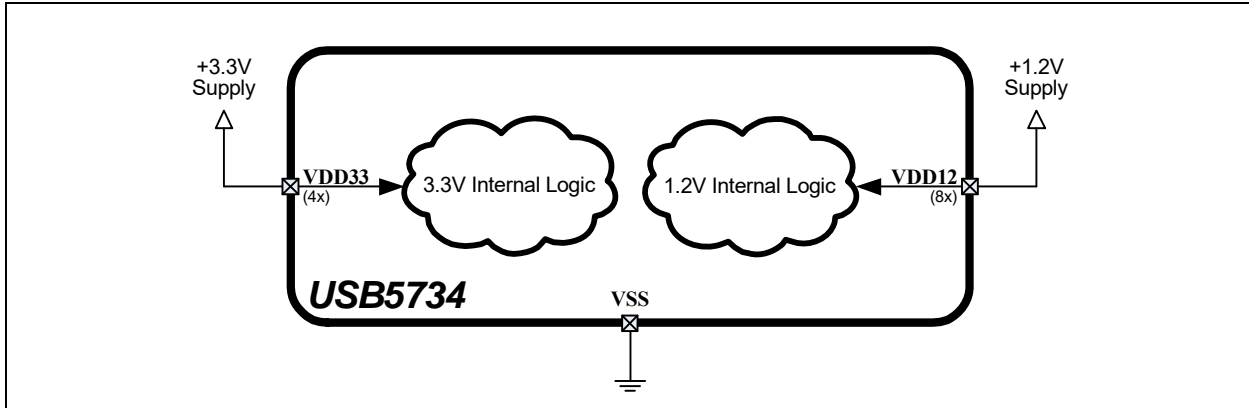
USB5734

4.0 DEVICE CONNECTIONS

4.1 Power Connections

Figure 4-1 illustrates the device power connections.

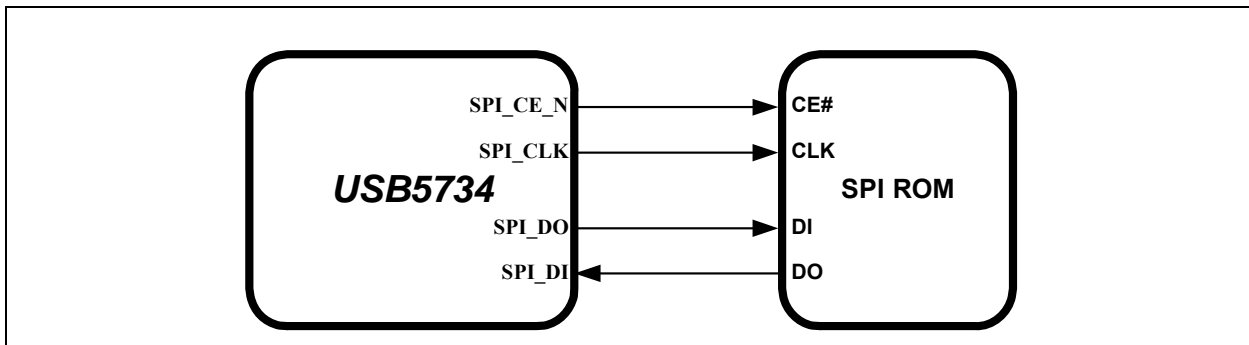
FIGURE 4-1: POWER CONNECTIONS



4.2 SPI ROM Connections

Figure 4-2 illustrates the device SPI ROM connections. Refer to Section 7.1, "SPI Master Interface," on page 33 for additional information on this device interface.

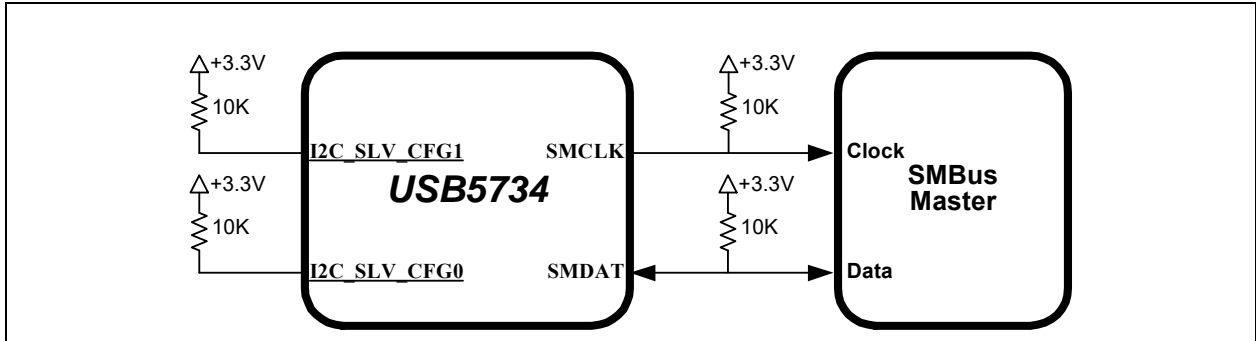
FIGURE 4-2: SPI ROM CONNECTIONS



4.3 SMBus Slave Connections

Figure 4-3 illustrates the device SMBus slave connections. Refer to [Section 7.2, "SMBus Slave Interface,"](#) on page 33 for additional information on this device interface.

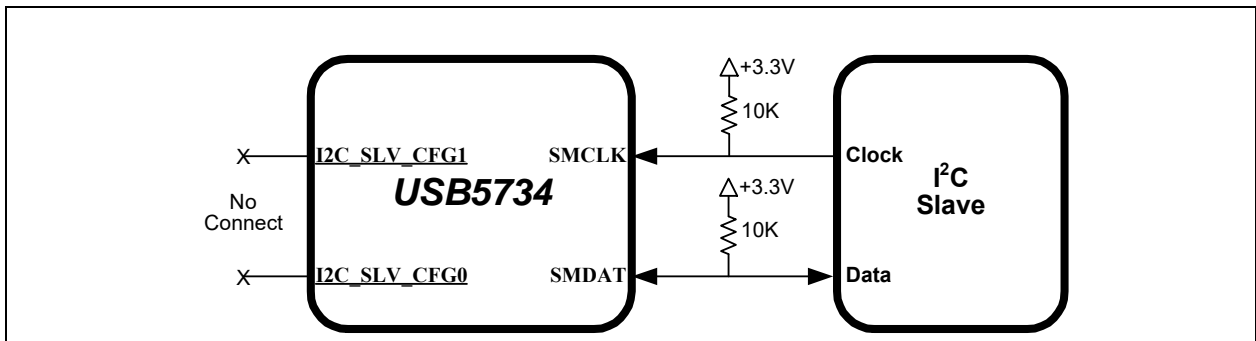
FIGURE 4-3: SMBUS SLAVE CONNECTIONS



4.4 I²C Bridge Connections

Figure 4-4 illustrates the device I²C bridge connections. Refer to [Section 7.3, "I²C Bridge Interface,"](#) on page 33 for additional information on this device interface.

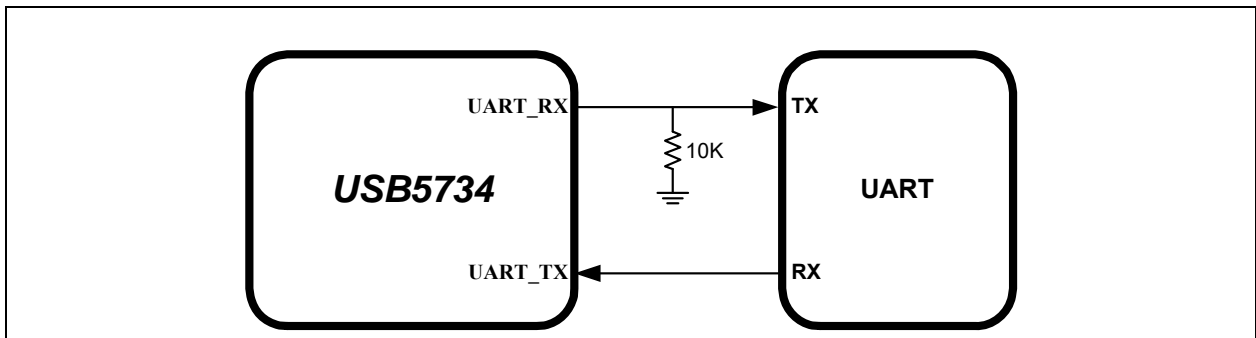
FIGURE 4-4: I²C BRIDGE CONNECTIONS



4.5 UART Bridge Connections

Figure 4-5 illustrates the device UART bridge connections. Refer to [Section 7.4, "Two Pin Serial Port \(UART\) Interface,"](#) on page 34 for additional information on this device interface.

FIGURE 4-5: UART BRIDGE CONNECTIONS



USB5734

5.0 MODES OF OPERATION

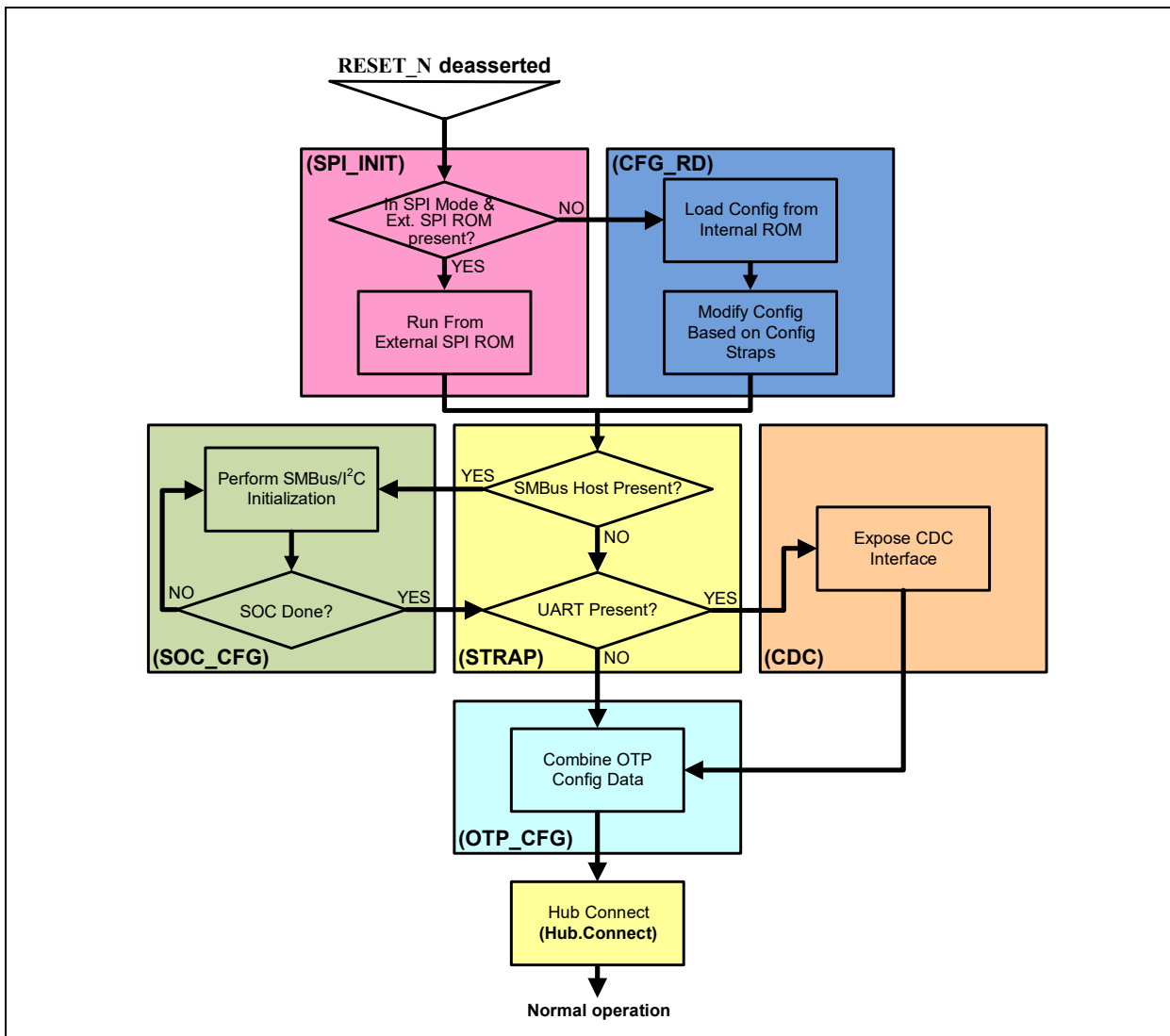
The device provides two main modes of operation: Standby Mode and Hub Mode. These modes are controlled via the **RESET_N** pin, as shown in [Table 5-1](#).

TABLE 5-1: MODES OF OPERATION

| RESET_N Input | Summary |
|---------------|--|
| 0 | Standby Mode: This is the lowest power mode of the device. No functions are active other than monitoring the RESET_N input. All port interfaces are high impedance and the PLL is halted. Refer to Section 8.3.2, "External Chip Reset (RESET_N)" for additional information on RESET_N . |
| 1 | Hub (Normal) Mode: The device operates as a configurable USB hub with battery charger detection. This mode has various sub-modes of operation, as detailed in Figure 5-1 . Power consumption is based on the number of active ports, their speed, and amount of data received. |

The flowchart in [Figure 5-1](#) details the modes of operation and details how the device traverses through the Hub Mode stages (shown in bold). The remaining sub-sections provide more detail on each stage of operation.

FIGURE 5-1: HUB MODE FLOWCHART



5.1 Boot Sequence

5.1.1 STANDBY MODE

If the **RESET_N** pin is asserted, the hub will be in Standby Mode. This mode provides a very low power state for maximum power efficiency when no signaling is required. This is the lowest power state. In Standby Mode all downstream ports are disabled, the USB data pins are held in a high-impedance state, all transactions immediately terminate (no states saved), all internal registers return to their default state, the PLL is halted, and core logic is powered down in order to minimize power consumption. Because core logic is powered off, no configuration settings are retained in this mode and must be re-initialized after **RESET_N** is negated high.

5.1.2 SPI INITIALIZATION STAGE (SPI_INIT)

The first stage, the initialization stage, occurs on the deassertion of **RESET_N**. In this stage, the internal logic is reset, the PLL locks if a valid clock is supplied, and the configuration registers are initialized to their default state. The internal firmware then checks for an external SPI ROM. The firmware looks for an external SPI flash device that contains a valid signature of "2DFU" (device firmware upgrade) beginning at address 0xFFFFA. If a valid signature is found, then the external ROM is enabled and the code execution begins at address 0x0000 in the external SPI device. If a valid signature is not found, then execution continues from internal ROM (CFG_RD stage).

When using an external SPI ROM, a 1 Mbit, 60 MHz or faster ROM must be used. Both 1- and 2-bit SPI operation are supported. For optimum throughput, a 2-bit SPI ROM is recommended. Both mode 0 and mode 3 SPI ROMs are also supported.

If the system is not strapped for SPI Mode, code execution will continue from internal ROM (CFG_RD stage).

5.1.3 CONFIGURATION READ STAGE (CFG_RD)

In this stage, the internal firmware loads the default values from the internal ROM and then uses the configuration strapping options to override the default values. Refer to [Section 3.4, "Configuration Straps and Programmable Functions"](#) for information on usage of the various device configuration straps.

5.1.4 STRAP READ STAGE (STRAP)

In this stage, the firmware registers the configuration strap settings on the **SPI_DO** and **SPI_CLK** pins. Refer to [Section 3.4.1, "SPI/SMBus/I2C/UART Configuration \(I2C_SLV_CFG\[1:0\]\)"](#) for information on configuring these straps. If configured for SMBus Slave Mode, the next state will be SOC_CFG. If configured for UART Mode, the device will become a UART bridging combination device and the next state will be CDC. If neither condition is met, the next state is OTP_CFG.

5.1.5 SOC CONFIGURATION STAGE (SOC_CFG)

In this stage, the SOC can modify any of the default configuration settings specified in the integrated ROM, such as USB device descriptors and port electrical settings.

There is no time limit on this mode. In this stage the firmware will wait indefinitely for the SMBus/I²C configuration. When the SOC has completed configuring the device, it must write to register 0xFF to end the configuration.

5.1.6 CDC CONFIGURATION STAGE (CDC)

If the device is configured in UART Mode, (UART Bridge), the hub feature controller will identify itself as a CDC UART device and move to the OTP_CFG. Refer to [Section 3.4.1, "SPI/SMBus/I2C/UART Configuration \(I2C_SLV_CFG\[1:0\]\)"](#) for information on configuring the UART Mode.

5.1.7 OTP CONFIGURATION STAGE (OTP_CFG)

Once the SOC has indicated that it is done with configuration, all configuration data is combined in this stage. The default data, the SOC configuration data, and the OTP data are all combined in the firmware and the device is programmed.

After the device is fully configured, it will go idle and then into suspend if there is no VBUS or Hub.Connect present. Once VBUS is present, and battery charging is enabled, the device will transition to the Battery Charger Detection Stage. If VBUS is present, and battery charging is not enabled, the device will transition to the Connect stage.

USB5734

5.1.8 HUB CONNECT STAGE (HUB.CONNECT)

Once the CHGDET stage is completed, the device enters the Hub Connect stage. USB connect can be initiated by asserting the VBUS pin function high. The device will remain in the Hub Connect stage indefinitely until the VBUS pin function is deasserted.

5.1.9 NORMAL MODE

Lastly, the hub enters Normal Mode of operation. In this stage full USB operation is supported under control of the USB Host on the upstream port. The device will remain in the normal mode until the operating mode is changed by the system.

If **RESET_N** is asserted low, then Standby Mode is entered. The device may then be placed into any of the designated hub stages. Asserting a soft disconnect on the upstream port will cause the hub to return to the Hub.Connect stage until the soft disconnect is negated.

6.0 DEVICE CONFIGURATION

The device supports a large number of features (some mutually exclusive), and must be configured in order to correctly function when attached to a USB host controller. The hub can be configured either internally or externally depending on the implemented interface.

Microchip provides a comprehensive software programming tool, Pro-Touch, for configuring the USB5734 functions, registers and OTP memory. All configuration is to be performed via the Pro-Touch programming tool. For additional information on the Pro-Touch programming tool, refer to the Software Libraries within the Microchip USB5734 product page at www.microchip.com/USB5734.

Note: Device configuration straps and programmable pins are detailed in [Section 3.4, "Configuration Straps and Programmable Functions," on page 16](#). Refer to [Section 7.0, "Device Interfaces"](#) for detailed information on each device interface.

6.1 Customer Accessible Functions

The following USB or SMBus accessible functions are available to the customer via the Pro-Touch Programming Tool.

Note: For additional programming details, refer to the Pro-Touch programming tool.

6.1.1 USB ACCESSIBLE FUNCTIONS

6.1.1.1 I²C Bridging Access over USB

Access to I²C devices is performed as a pass-through operation from the USB Host. The device firmware has no knowledge of the operation of the attached I²C device. For more information, refer to the Microchip USB5734 product page and SDK at www.microchip.com/USB5734.

Note: Refer to [Section 7.3, "I²C Bridge Interface," on page 33](#) for additional information on the I²C interface.

6.1.1.2 SPI Access over USB

Access to an attached SPI device is performed as a pass-through operation from the USB Host. The device firmware has no knowledge of the operation of the attached SPI device. For more information, refer to the Microchip USB5734 product page and SDK at www.microchip.com/USB5734.

Note: Refer to [Section 7.1, "SPI Master Interface," on page 33](#) for additional information on the SPI.

6.1.1.3 UART Access over USB

Access to UART devices is performed as a pass-through operation from the USB Host. The device firmware has no knowledge of the operation of the attached UART device. For more information, refer to the Microchip USB5734 product page and SDK at www.microchip.com/USB5734.

Note: Refer to [Section 7.4, "Two Pin Serial Port \(UART\) Interface," on page 34](#) for additional information on the UART interface.

6.1.1.4 OTP Access over USB

The OTP ROM in the device is accessible via the USB bus. All OTP parameters can be modified to the USB Host. The OTP operates in Single Ended mode. For more information, refer to the Microchip USB5734 product page and SDK at www.microchip.com/USB5734.

6.1.1.5 Battery Charging Access over USB

The Battery charging behavior of the device can be dynamically changed by the USB Host when something other than the preprogrammed or OTP programmed behavior is desired. For more information, refer to the Microchip USB5734 product page and SDK at www.microchip.com/USB5734.

USB5734

6.1.2 SMBUS ACCESSIBLE FUNCTIONS

OTP access and configuration of specific device functions are possible via the USB5734 SMBus. All OTP parameters can be modified via the SMBus Host. The OTP can be programmed to operate in Single-Ended, Differential, Redundant, or Differential Redundant mode, depending on the level of reliability required. For more information, refer to AN1903 - "Configuration Options for the USB5734 and USB5744" application note at www.microchip.com/AN1903.

7.0 DEVICE INTERFACES

The USB5734 provides multiple interfaces for configuration and external memory access. This section details the various device interfaces and their usage:

- [SPI Master Interface](#)
- [SMBus Slave Interface](#)
- [I2C Bridge Interface](#)
- [Two Pin Serial Port \(UART\) Interface](#)

Note: For details on how to enable each interface, refer to [Section 3.4.1, "SPI/SMBus/I2C/UART Configuration \(I2C_SLV_CFG\[1:0\]\)"](#).

For information on device connections, refer to [Section 4.0, "Device Connections"](#). For information on device configuration, refer to [Section 6.0, "Device Configuration"](#).

Microchip provides a comprehensive software programming tool, Pro-Touch, for configuring the USB5734 functions, registers and OTP memory. All configuration is to be performed via the Pro-Touch programming tool. For additional information on the Pro-Touch programming tool, refer to Software Libraries within Microchip USB5734 product page at www.microchip.com/USB5734.

7.1 SPI Master Interface

The device is capable of code execution from an external SPI ROM. When configured for SPI Mode, on power up the firmware looks for an external SPI flash device that contains a valid signature of 2DFU (device firmware upgrade) beginning at address 0xFFFFA. If a valid signature is found, then the external ROM is enabled and the code execution begins at address 0x0000 in the external SPI device. If a valid signature is not found, then execution continues from internal ROM.

Note: For SPI timing information, refer to [Section 10.6.7, "SPI Timing"](#).

7.2 SMBus Slave Interface

The device includes an integrated SMBus slave interface, which can be used to access internal device run time registers or program the internal OTP memory. SMBus slave detection is accomplished by detection of pull-up resistors on both the SMDAT and SMCLK signals. Refer to [Section 3.4.1, "SPI/SMBus/I2C/UART Configuration \(I2C_SLV_CFG\[1:0\]\)"](#) for additional information.

Note: All device configuration must be performed via the Pro-Touch Programming Tool. For additional information on the Pro-Touch programming tool, refer to Software Libraries within Microchip USB5734 product page at www.microchip.com/USB5734.

7.3 I²C Bridge Interface

The I²C Bridge interface implements a subset of the I²C Master Specification (Please refer to the *Philips Semiconductor Standard I²C-Bus Specification* for details on I²C bus protocols). The I²C Bridge conforms to the Fast-Mode I²C Specification (400 kbit/s transfer rate and 7-bit addressing) for protocol and electrical compatibility. The device acts as the master and generates the serial clock SCL, controls the bus access (determines which device acts as the transmitter and which device acts as the receiver), and generates the START and STOP conditions. The I²C Bridge interface frequency is configurable through the I²C Bridging commands. I²C Bridge frequencies are derived from the formula 626KHz/n, where n is any integer from 1 to 256. Refer to [Section 3.4.1, "SPI/SMBus/I2C/UART Configuration \(I2C_SLV_CFG\[1:0\]\)"](#) for additional information.

Note: Extensions to the I²C Specification are not supported.

All device configuration must be performed via the Pro-Touch Programming Tool. For additional information on the Pro-Touch programming tool, contact your local sales representative.

7.4 Two Pin Serial Port (UART) Interface

The device incorporates a fully programmable, universal asynchronous receiver/transmitter (UART) that is functionally compatible with the NS 16550AF, 16450, 16450 ACE registers and the 16C550A. The UART performs serial-to-parallel conversion on received characters and parallel-to-serial conversion on transmit characters. Two sets of baud rates are provided: 24 Mhz and 16 MHz. When the 24 Mhz source clock is selected, standard baud rates from 50 to 115.2 K are available. When the source clock is 16 MHz, baud rates from 125 K to 1,000 K are available. The character options are programmable for the transmission of data in word lengths of from five to eight, 1 start bit; 1, 1.5 or 2 stop bits; even, odd, sticky or no parity; and prioritized interrupts. The UART contains a programmable baud rate generator that is capable of dividing the input clock or crystal by a number from 1 to 65535. The UART is also capable of supporting the MIDI data rate.

7.4.1 TRANSMIT OPERATION

Transmission is initiated by writing the data to be sent to the TX Holding Register or TX FIFO (if enabled). The data is then transferred to the TX Shift Register together with a start bit and parity and stop bits as determined by settings in the Line Control Register. The bits to be transmitted are then shifted out of the TX Shift Register in the order Start bit, Data bits (LSB first), Parity bit, Stop bit, using the output from the Baud Rate Generator (divided by 16) as the clock.

If enabled, a TX Holding Register Empty interrupt will be generated when the TX Holding Register or the TX FIFO (if enabled) becomes empty.

When FIFOs are enabled (i.e. bit 0 of the FIFO Control Register is set), the UART can store up to 16 bytes of data for transmission at a time. Transmission will continue until the TX FIFO is empty. The FIFO's readiness to accept more data is indicated by interrupt.

7.4.2 RECEIVE OPERATION

Data is sampled into the RX Shift Register using the Receive clock, divided by 16. The Receive clock is provided by the Baud Rate Generator. A filter is used to remove spurious inputs that last for less than two periods of the Receive clock. When the complete word has been clocked into the receiver, the data bits are transferred to the RX Buffer Register or to the RX FIFO (if enabled) to be read by the CPU. (The first bit of the data to be received is placed in bit 0 of this register.) The receiver also checks that the parity bit and stop bits are as specified by the Line Control Register.

If enabled, an RX Data Received interrupt will be generated when the data has been transferred to the RX Buffer Register or, if FIFOs are enabled, when the RX Trigger Level has been reached. Interrupts can also be generated to signal RX FIFO Character Timeout, incorrect parity, a missing stop bit (frame error) or other Line Status errors.

When FIFOs are enabled (i.e. bit 0 of the FIFO Control Register is set), the UART can store up to 16 bytes of received data at a time. Depending on the selected RX Trigger Level, interrupt will go active to indicate that data is available when the RX FIFO contains 1, 4, 8 or 14 bytes of data.

8.0 FUNCTIONAL DESCRIPTIONS

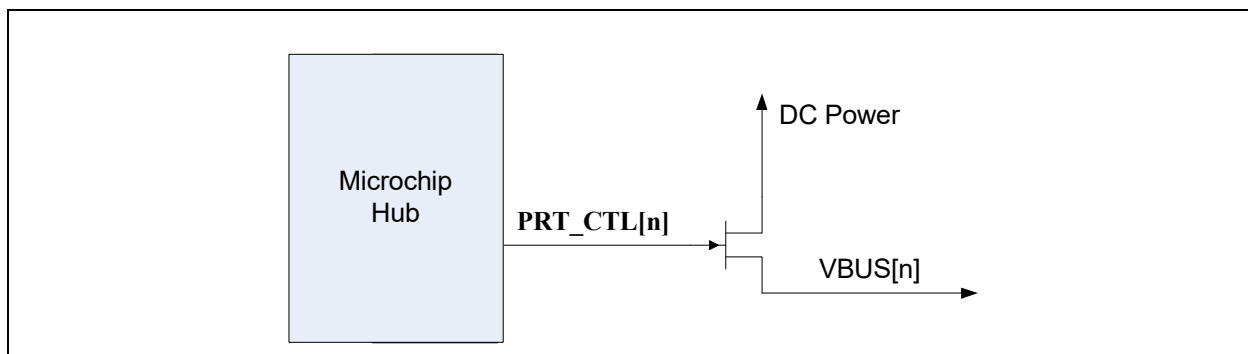
This section details various USB5734 functions, including:

- [Downstream Battery Charging](#)
- [FlexConnect](#)
- [Resets](#)
- [Link Power Management \(LPM\)](#)
- [Remote Wakeup Indicator](#)
- [Port Control Interface](#)

8.1 Downstream Battery Charging

The device can be configured by an OEM to have any of the downstream ports support battery charging. The hub's role in battery charging is to provide acknowledgment to a device's query as to whether the hub system supports USB battery charging. The hub silicon does not provide any current or power FETs or any additional circuitry to actually charge the device. Those components must be provided externally by the OEM.

FIGURE 8-1: BATTERY CHARGING EXTERNAL POWER SUPPLY



If the OEM provides an external supply capable of supplying current per the battery charging specification, the hub can be configured to indicate the presence of such a supply from the device. This indication, via the **PRT_CTL[4:1]** pins, is on a per port basis. For example, the OEM can configure two ports to support battery charging through high current power FETs and leave the other two ports as standard USB ports.

For additional information, refer to the Microchip USB5734 Battery Charging application note on the Microchip.com USB5734 product page at www.microchip.com/USB5734.

8.2 FlexConnect

This feature allows the upstream port to be swapped with downstream physical port 1. Only downstream port 1 can be swapped physically. Using port remapping, any logical port (number assignment) can be swapped with the upstream port (non-physical).

FlexConnect is enabled/disabled via the FLEXCONNECT control bit in the Connect Configuration register (address 0x318E). The FLEXCONNECT configuration bit switches the port. This bit can be controlled via the I²C interface or via the FLEXCMD pin (**PROG_FUNC6** in configurations 1 or 2). Toggling of FLEXCMD will cause an interrupt to the device firmware. The firmware will then change the port direction based on the input value. Refer to [Section 3.4.5, "Device Mode / PROG_FUNC\[7:1\] Configuration \(CFG_STRAP\)"](#) for additional information.

For additional information, refer to the Microchip USB5734 FlexConnect application note on the Microchip.com USB5734 product page.

USB5734

8.3 Resets

The device includes the following chip-level reset sources:

- [Power-On Reset \(POR\)](#)
- [External Chip Reset \(RESET_N\)](#)
- [USB Bus Reset](#)

8.3.1 POWER-ON RESET (POR)

A power-on reset occurs whenever power is initially supplied to the device, or if power is removed and reapplied to the device. A timer within the device will assert the internal reset per the specifications listed in [Section 10.6.2, "Power-On and Configuration Strap Timing,"](#) on page 46.

8.3.2 EXTERNAL CHIP RESET (RESET_N)

A valid hardware reset is defined as assertion of **RESET_N**, after all power supplies are within operating range, per the specifications in [Section 10.6.3, "Reset and Configuration Strap Timing,"](#) on page 47. While reset is asserted, the device (and its associated external circuitry) enters Standby Mode and consumes minimal current.

Assertion of **RESET_N** causes the following:

1. The PHY is disabled and the differential pairs will be in a high-impedance state.
2. All transactions immediately terminate; no states are saved.
3. All internal registers return to the default state.
4. The external crystal oscillator is halted.
5. The PLL is halted.

Note: All power supplies must have reached the operating levels mandated in [Section 10.2, "Operating Conditions**,"](#) on page 42, prior to (or coincident with) the assertion of **RESET_N**.

8.3.3 USB BUS RESET

In response to the upstream port signaling a reset to the device, the device performs the following:

Note: The device does not propagate the upstream USB reset to downstream devices.

1. Sets default address to 0.
2. Sets configuration to Unconfigured.
3. Moves device from suspended to active (if suspended).
4. Complies with the USB Specification for behavior after completion of a reset sequence.

The host then configures the device in accordance with the USB Specification.

8.4 Link Power Management (LPM)

The device supports the L0 (On), L1 (Sleep), and L2 (Suspend) link power management states. These supported LPM states offer low transitional latencies in the tens of microseconds versus the much longer latencies of the traditional USB suspend/resume in the tens of milliseconds. The supported LPM states are detailed in [Table 8-1](#).

TABLE 8-1: LPM STATE DEFINITIONS

| State | Description | Entry/Exit Time to L0 |
|-------|--------------------|--|
| L2 | Suspend | Entry: ~3 ms Exit: ~2 ms (from start of RESUME) |
| L1 | Sleep | Entry: <10 us Exit: <50 us |
| L0 | Fully Enabled (On) | - |

8.5 Remote Wakeup Indicator

The remote wakeup indicator feature uses USB2_SUSP_IND as a side band signal to wake up the host when in USB2.0 suspend. This feature is enabled and disabled via the HUB_RESUME_INHIBIT configuration bit in the hub configuration space register CFG3. The only way to control the bit is by configuration EEPROM, SMBus or internal ROM default setting. The state is only modified during a power on reset, or hardware reset. No dynamic reconfiguring of this capability is possible.

When HUB_RESUME_INHIBIT = '0', Normal Resume Behavior per the USB 2.0 specification

When HUB_RESUME_INHIBIT = '1', Modified Resume Behavior is enabled

Note: The USB2_SUSP_IND signal only indicates the USB2.0 state.

For additional information, refer to the Microchip USB5734 Suspend Indicator application note on the Microchip.com USB5734 product page.

8.6 Port Control Interface

Port power and over-current sense share the same pin (PRT_CTLx) for each port. These functions can be controlled directly from the USB hub, or via the processor. Additionally, smart port controllers can be controlled via the I²C interface.

The device can be configured into the following port control modes:

- Ganged Mode
- Combined Mode

Port connection in various modes are detailed in the following subsections.

8.6.1 PORT CONNECTION IN GANGED MODE

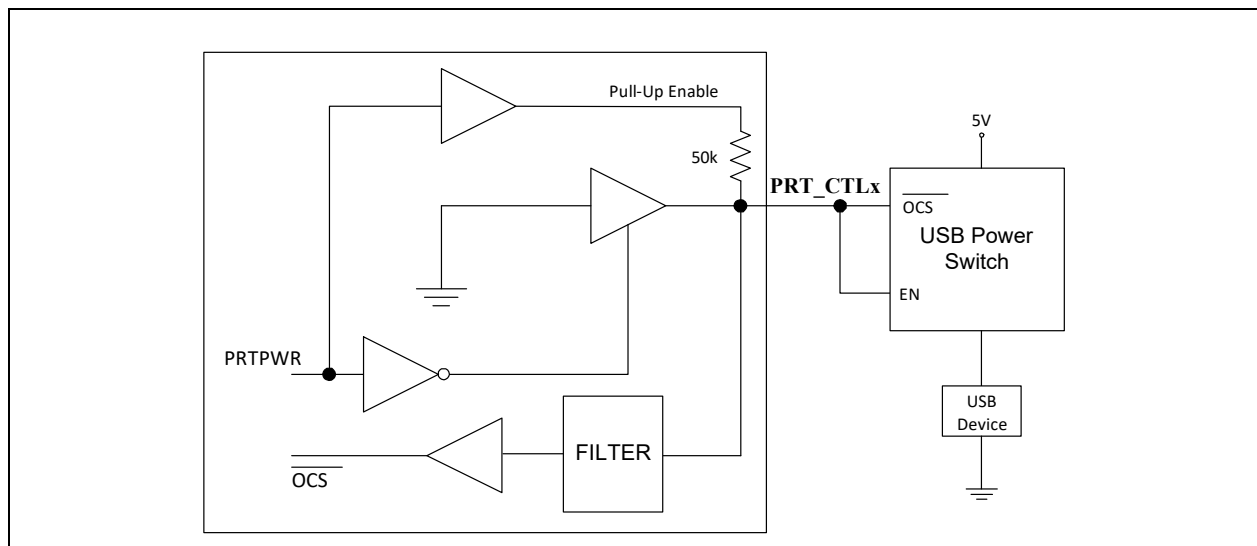
In this mode, one pin (GANG_PWR) is used to control port power and over-current sensing.

8.6.2 PORT CONNECTION IN COMBINED MODE

8.6.2.1 Port Power Control using USB Power Switch

When operating in combined mode, the device will have one port power control and over-current sense pin for each downstream port. When disabling port power, the driver will actively drive a '0'. To avoid unnecessary power dissipation, the pull-up resistor will be disabled at that time. When port power is enabled, it will disable the output driver and enable the pull-up resistor, making it an open drain output. If there is an over-current situation, the USB Power Switch will assert the open drain OCS signal. The Schmidt trigger input will recognize that as a low. The open drain output does not interfere. The over-current sense filter handles the transient conditions such as low voltage while the device is powering up.

FIGURE 8-2: PORT POWER CONTROL WITH USB POWER SWITCH



USB5734

When the port is enabled, the PRT_CTLx pin input is constantly sampled. Overcurrent events can be detected in one of two ways:

- Single, continuous low pulse (consecutive low samples over t_{ocs_single}), as shown in Figure 8-3.
- Two short low pulses within a rolling window (two groupings of 1 or more low samples over t_{ocs_double}), as shown in Figure 8-4.

FIGURE 8-3: SINGLE LOW PULSE OVERCURRENT DETECTION

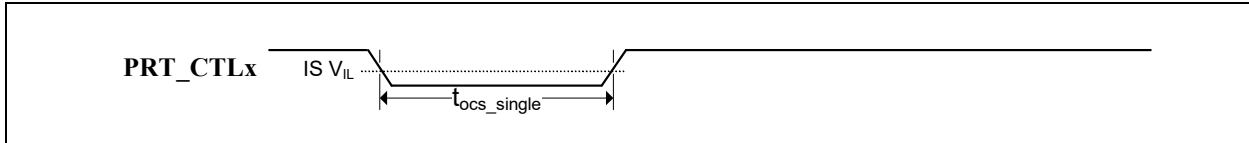


FIGURE 8-4: DOUBLE LOW PULSE OVERCURRENT DETECTION

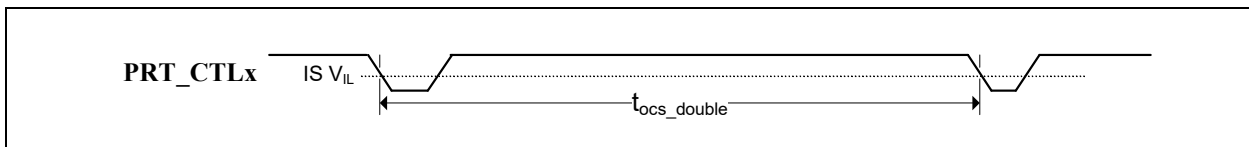


TABLE 8-2: OVERCURRENT PULSE TIMING

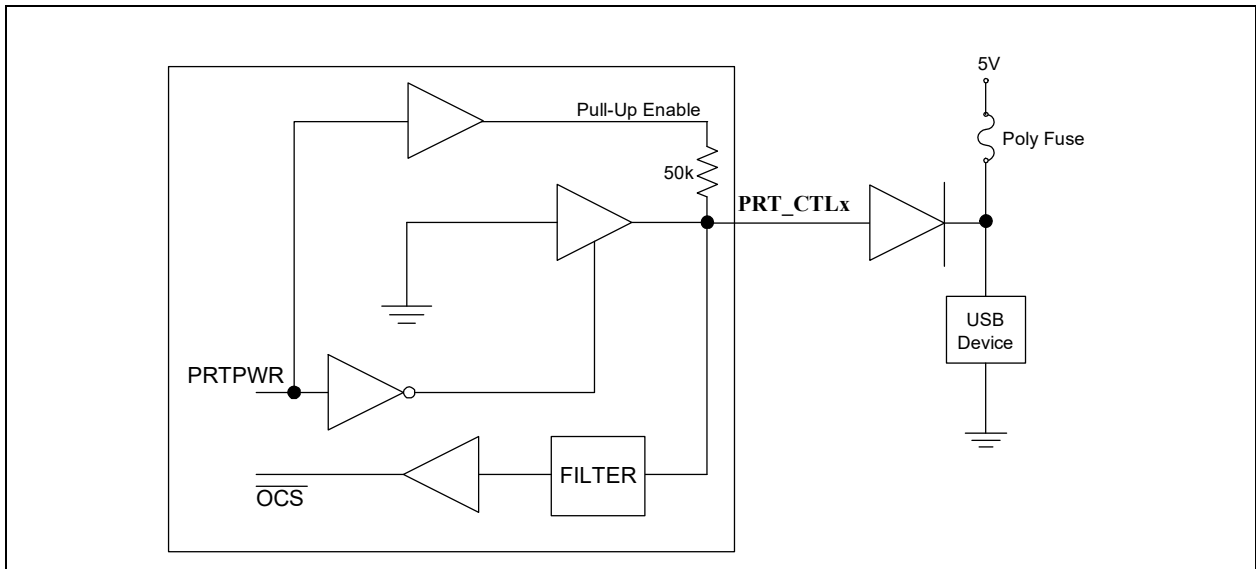
| Symbol | Description | Min | Max | Units |
|-------------------|---------------------------------|-----|-----|-------|
| t_{ocs_single} | single low pulse assertion time | 5 | - | ms |
| t_{ocs_double} | double low pulse window | - | 20 | ms |

8.6.2.2 Port Power Control using Poly Fuse

When using the device with a poly fuse, there is no need for an output power control. To maintain consistency, the same circuit will be used. A single port power control and over-current sense for each downstream port is still used from the Hub's perspective. When disabling port power, the driver will actively drive a '0'. This will have no effect as the external diode will isolate pin from the load. When port power is enabled, it will disable the output driver and enable the pull-up resistor. This means that the pull-up resistor is providing 3.3 volts to the anode of the diode. If there is an over-current situation, the poly fuse will open. This will cause the cathode of the diode to go to 0 volts. The anode of the diode will be at 0.7 volts, and the Schmidt trigger input will register this as a low resulting in an over-current detection. The open drain output does not interfere.

Note: The USB 2.0 and USB 3.2 Gen 1 bPwrOn2PwrGood descriptors must be set to 0 when using poly-fuse mode. Refer to Microchip application note AN1903 "Configuration Options for the USB5734 and USB5744" for details on how to change these values.

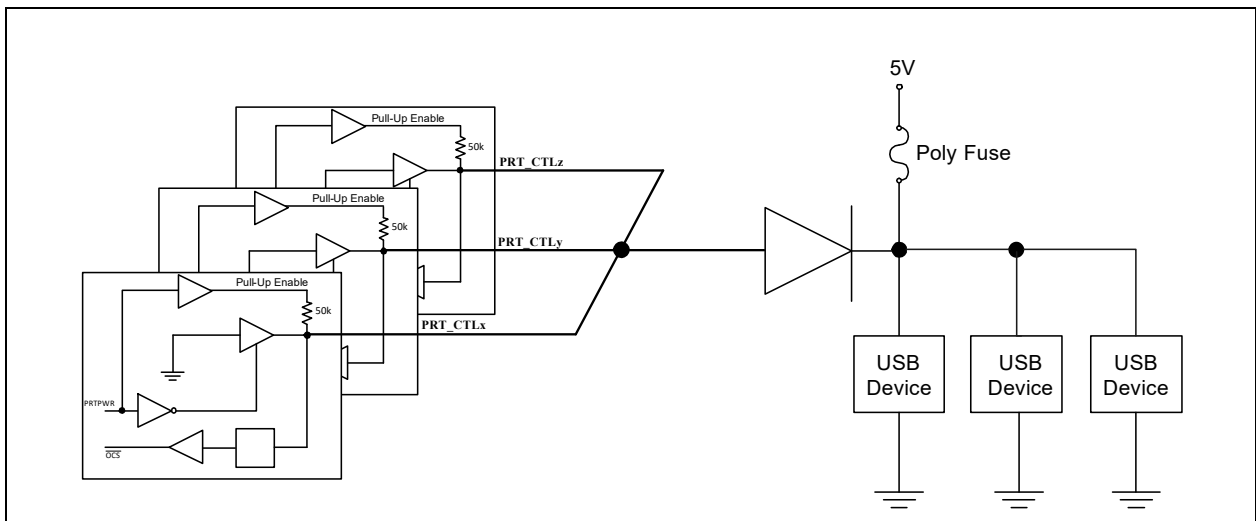
FIGURE 8-5: PORT POWER CONTROL USING A POLY FUSE



8.6.2.3 Port Power Control with Single Poly Fuse and Multiple Loads

Many customers use a single poly fuse to power all their devices. For the ganged situation, all power control pins must be tied together.

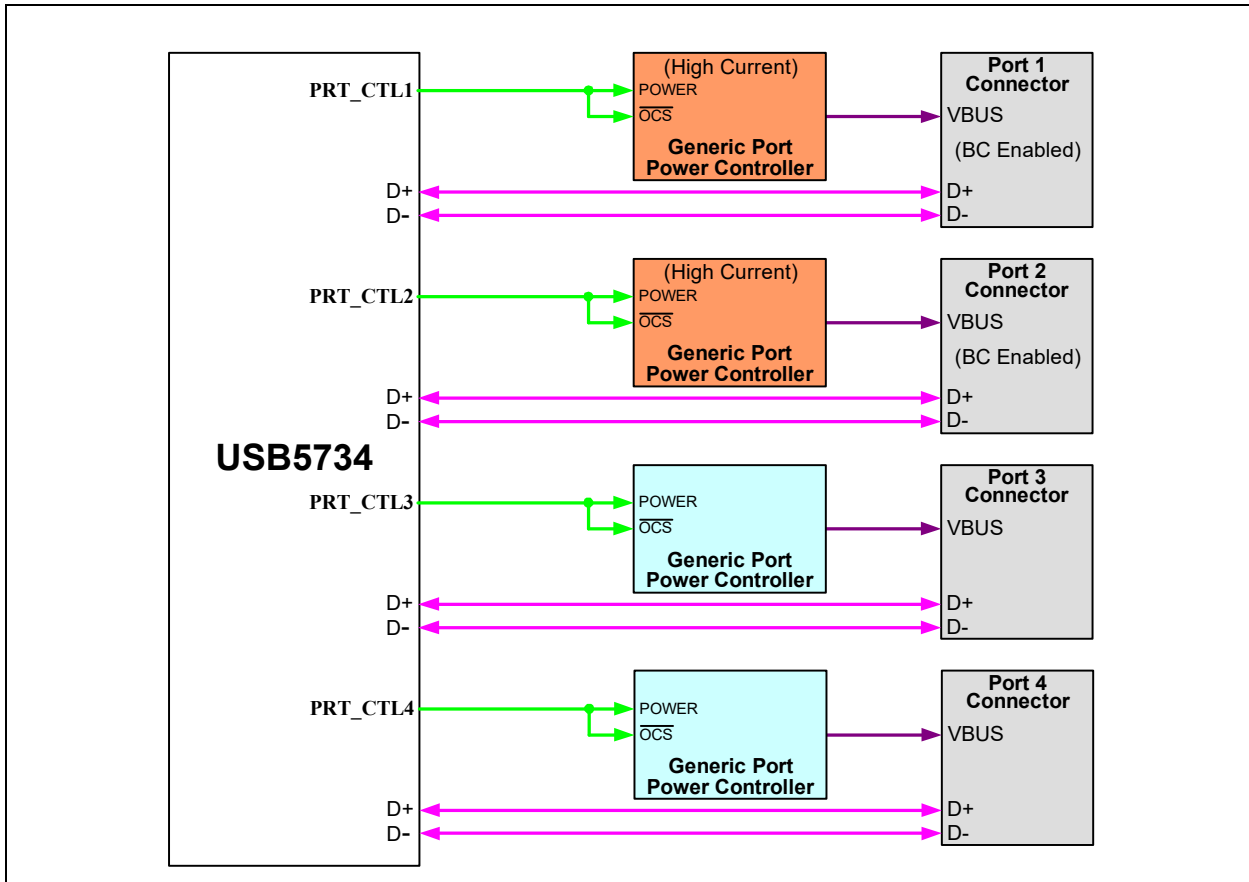
FIGURE 8-6: PORT POWER CONTROL WITH GANGED CONTROL WITH POLY FUSE



USB5734

8.6.3 PORT CONTROLLER CONNECTION EXAMPLE

FIGURE 8-7: USB5734 WITH 4 GENERIC PORT POWER CONTROLLERS (2 BC ENABLED)



Note: The CFG_BC_EN configuration strap must be properly configured to enable battery charging on the appropriate ports. For example, in the application shown in [Figure 8-7](#), CFG_BC_EN must be connected to an external 10 kΩ pull-down resistor to enable battery charging on Ports 1 and 2. For more information on the CFG_BC_EN configuration strap, refer to [Section 3.4.4](#), "Battery Charging Configuration (CFG_BC_EN)".

9.0 COMPLIANCE UPDATE

In order to be USB-IF certified (TID 330000076), the USB5734 supports the USB 3.2 Engineering Change Notices (ECNs) included in the *Universal Serial Bus Revision 3.2 Specification*. This allows the latest revision of the USB5734 to be certified in compliance with USB-IF logo testing for the new USB Type-C[®] industry initiative. The following compliance updates are supported:

- [Pending Header Packet \(HP\) Timer \(TD7.9, TD7.11, TD7.26\)](#)
- [Power Management \(PM\) Timer \(TD7.18, TD7.20, TD7.23\)](#)
- [Unacknowledged Connect and Remote Wake Test Failure \(TD10.25\)](#)

These USB 3.2 ECNs can be found as part of the *Universal Serial Bus Revision 3.2 Specification* zip file, which can be downloaded from the USB developers website (<http://www.usb.org/developers/docs/>).

9.1 Pending Header Packet (HP) Timer (TD7.9, TD7.11, TD7.26)

A turn around time is defined between the communication of a Host and Device (Link Partners) for an acknowledgment of a USB connection. The time is budgeted between a number of steps (Transmit/Receive data path of the initiator, the delay in the cable, and the response time of the responder). If the time is exceeded, no USB communication is initiated.

The ECN calls to relax the timing from 3us to 10us at the link and PHY layers to allow for an extended propagation delay to account for the usage of active cables and retimers in new SuperSpeed Plus designs.

Impact to Legacy Systems:

- A new host with a retimer connected to an active cable AND a legacy device
- A legacy host connected to an active cable and a new device with or without a retimer

9.2 Power Management (PM) Timer (TD7.18, TD7.20, TD7.23)

There are three timers for link power management: PM_LC_TIMER, PM_ENTRY_TIMER, and Ux_EXIT_TIMER. The PM_LC_TIMER is used for a port initiating an entry request to a low power link state. The PM_ENTRY_TIMER is used for a port accepting the entry request to a low power link state. Ux_EXIT_TIMER is used for a port to initiate the exit from U1 or U2 to a low power state.

The ECN calls to increase the maximum timeout values to accommodate for the new connectivity models with retimers and active cables beyond the standard USB-IF transmission lengths.

Impact to Legacy Systems:

- No impact to USB 3.0 or early USB 3.2 ecosystems

9.3 Unacknowledged Connect and Remote Wake Test Failure (TD10.25)

If a USB3 port with a connected device is placed into Suspend and RemoteWake is set but the RemoteWake mask (C_PORT_CONNECTION bit) has not been cleared, the USB3 hub will automatically issue a wake up signal to the host.

In legacy systems, if a USB3 port with a connected device was placed into Suspend and RemoteWake is set without the mask bit being cleared, the USB3 hub would NOT issue a wake up signal to the host.

Impact to Legacy Systems:

- No impact – with the new implementation, a remote wake is automatically initiated if the mask bit is not set. In older systems the remote wake may or may not have been executed.

USB5734

10.0 OPERATIONAL CHARACTERISTICS

10.1 Absolute Maximum Ratings*

| | |
|---|--------------------------------|
| +1.2 V Supply Voltage (VDD12) (Note 1) | -0.5 V to +1.32 V |
| +3.3 V Supply Voltage (VDD33) (Note 1) | -0.5 V to +4.6 V |
| Positive voltage on input signal pins, with respect to ground (Note 2) | +4.6 V |
| Negative voltage on input signal pins, with respect to ground | -0.5 V |
| Positive voltage on XTALI/CLK_IN, with respect to ground | +3.63 V |
| Positive voltage on USB DP/DM signal pins, with respect to ground | +6.0 V |
| Positive voltage on USB 3.2 Gen 1 USB3UP_XXXX and USB3DN_XXXX signal pins, with respect to ground | 1.32 V |
| Storage Temperature | -55°C to +150°C |
| Junction Temperature | +125°C |
| Lead Temperature Range | Refer to JEDEC Spec. J-STD-020 |
| HBM ESD Performance | 3 kV |

Note 1: When powering this device from laboratory or system power supplies, it is important that the absolute maximum ratings not be exceeded or device failure can result. Some power supplies exhibit voltage spikes on their outputs when AC power is switched on or off. In addition, voltage transients on the AC power line may appear on the DC output. If this possibility exists, it is suggested to use a clamp circuit.

Note 2: This rating does not apply to the following pins: All USB DM/DP pins, XTALI/CLK_IN, and XTALO

*Stresses exceeding those listed in this section could cause permanent damage to the device. This is a stress rating only. Exposure to absolute maximum rating conditions for extended periods may affect device reliability. Functional operation of the device at any condition exceeding those indicated in [Section 10.2, "Operating Conditions**"](#), [Section 10.5, "DC Specifications"](#), or any other applicable section of this specification is not implied.

10.2 Operating Conditions**

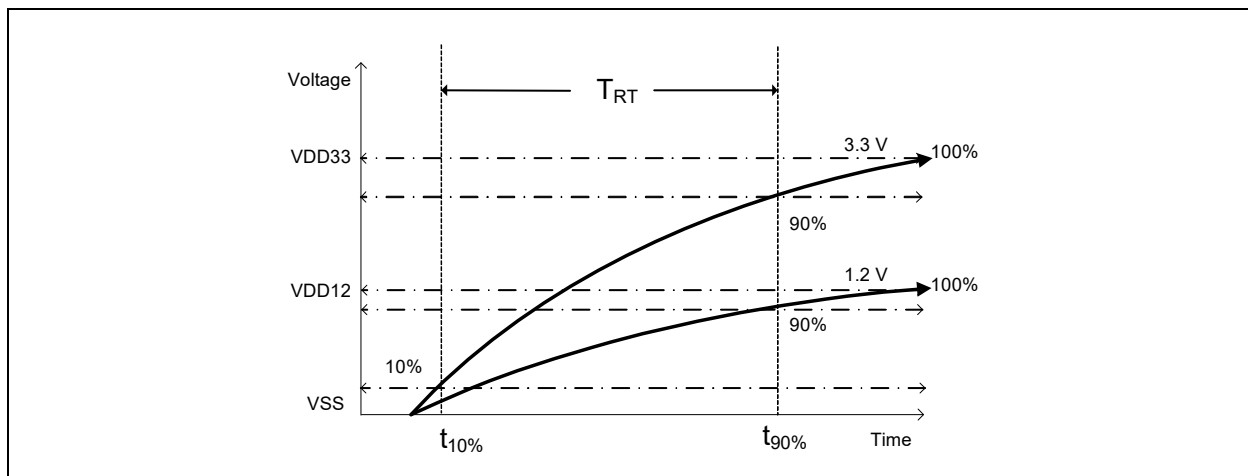
| | |
|---|------------------------|
| +1.2 V Supply Voltage (VDD12) | +1.08 V to +1.32 V |
| +3.3 V Supply Voltage (VDD33) | +3.0 V to +3.6 V |
| Input Signal Pins Voltage (Note 2) | -0.3 V to +3.6 V |
| XTALI/CLK_IN Voltage | -0.3 V to +3.6 V |
| USB 2.0 DP/DM Signal Pins Voltage | -0.3 V to +5.5 V |
| USB 3.2 Gen 1 USB3UP_XXXX and USB3DN_XXXX Signal Pins Voltage | -0.3 V to +1.32 V |
| Ambient Operating Temperature in Still Air (T _A) | Note 3 |
| +1.2 V Supply Voltage Rise Time (T _{RT} in Figure 10-1) | 5ms |
| +3.3 V Supply Voltage Rise Time (T _{RT} in Figure 10-1) | 5ms |

Note 3: 0°C to +70°C for commercial version, -40°C to +85°C for industrial version.

**Proper operation of the device is guaranteed only within the ranges specified in this section.

| |
|---|
| Note: Do not drive input signals without power supplied to the device. |
|---|

FIGURE 10-1: SUPPLY RISE TIME MODEL



Note: The rise time for the 1.2V and 3.3V supplies can be extended to 100 ms max if RESET_N is actively driven low, typically by another IC, until 1 us after all supplies are within operating range.

10.3 Package Thermal Specifications

TABLE 10-1: PACKAGE THERMAL PARAMETERS

| Symbol | °C/W | Velocity (Meters/s) |
|---------------|------|---------------------|
| Θ_{JA} | 25 | 0 |
| | 22 | 1 |
| Ψ_{JT} | 0.2 | 0 |
| | 0.3 | 1 |
| Θ_{JC} | 2.5 | 0 |
| | 2.5 | 1 |

Note: Thermal parameters are measured or estimated for devices in a multi-layer 2S2P PCB per JESDN51.

TABLE 10-2: MAXIMUM POWER DISSIPATION

| Parameter | Value | Units |
|-----------|-------|-------|
| PD(max) | 1400 | mW |

USB5734

10.4 Power Consumption

This section details the power consumption of the device as measured during various modes of operation. Power dissipation is determined by temperature, supply voltage, and external source/sink requirements.

TABLE 10-3: DEVICE POWER CONSUMPTION

| | Typical (mA) | | Typical Power (mW) |
|-----------------------|--------------|-------|-----------------------|
| | VDD33 | VDD12 | |
| Reset | 0.8 | 1.8 | 4.8 |
| No VBUS | 2.0 | 5.0 | 12.6 |
| Global Suspend | 2.0 | 5.2 | 12.9 |
| 4 FS Ports | 39 | 35 | 170 |
| 4 HS Ports | 53 | 42 | 222 |
| 4 SS Ports | 55 | 683 | 1001 |
| 4 SS/HS Ports | 93 | 688 | 1132 |

10.5 DC Specifications

TABLE 10-4: I/O DC ELECTRICAL CHARACTERISTICS

| Parameter | Symbol | Min | Typical | Max | Units | Notes |
|--|-----------|-----------|---------|-------|-------|---------------------------|
| I Type Input Buffer | | | | | | |
| Low Input Level | V_{IL} | | | 0.9 | V | |
| High Input Level | V_{IH} | 2.1 | | | V | |
| IS Type Input Buffer | | | | | | |
| Low Input Level | V_{IL} | | | 0.9 | V | |
| High Input Level | V_{IH} | 1.9 | | | V | |
| Schmitt Trigger Hysteresis ($V_{IHT} - V_{ILT}$) | V_{HYS} | 9 | 20 | 40 | mV | Note 4 |
| O6 Type Output Buffer | | | | | | |
| Low Output Level | V_{OL} | | | 0.4 | V | $I_{OL} = 6 \text{ mA}$ |
| High Output Level | V_{OH} | VDD33-0.4 | | | V | $I_{OH} = -6 \text{ mA}$ |
| O10 Type Output Buffer | | | | | | |
| Low Output Level | V_{OL} | | | 0.4 | V | $I_{OL} = 10 \text{ mA}$ |
| High Output Level | V_{OH} | VDD33-0.4 | | | V | $I_{OH} = -10 \text{ mA}$ |
| O12 Type Output Buffer | | | | | | |
| Low Output Level | V_{OL} | | | 0.4 | V | $I_{OL} = 12 \text{ mA}$ |
| High Output Level | V_{OH} | VDD33-0.4 | | | V | $I_{OH} = -12 \text{ mA}$ |
| OD12 Type Output Buffer | | | | | | |
| Low Output Level | V_{OL} | | | 0.4 | V | $I_{OL} = 12 \text{ mA}$ |
| ICLK Type Input Buffer (XTALI Input) | | | | | | |
| Low Input Level | V_{IL} | | | 0.50 | V | Note 5 |
| High Input Level | V_{IH} | 0.85 | | VDD33 | V | |
| IO-U Type Buffer (See Note 6) | | | | | | |
| | | | | | | Note 6 |

Note 4: The PROG_FUNC3 pin has a Schmitt trigger hysteresis minimum of 10 mV and a maximum of 60 mV.

Note 5: XTALI can optionally be driven from a 25 MHz singled-ended clock oscillator.

Note 6: Refer to the USB 3.2 Gen 1 Specification for USB DC electrical characteristics.

USB5734

10.6 AC Specifications

This section details the various AC timing specifications of the device.

10.6.1 POWER SUPPLY AND RESET_N SEQUENCE TIMING

Figure 10-2 illustrates the recommended power supply sequencing and timing for the device. VDD33 should rise after or at the same rate as VDD12. Similarly, RESET_N and/or VBUS_DET should rise after or at the same rate as VDD33. VBUS_DET and RESET_N do not have any other timing dependencies.

FIGURE 10-2: POWER SUPPLY AND RESET_N SEQUENCE TIMING

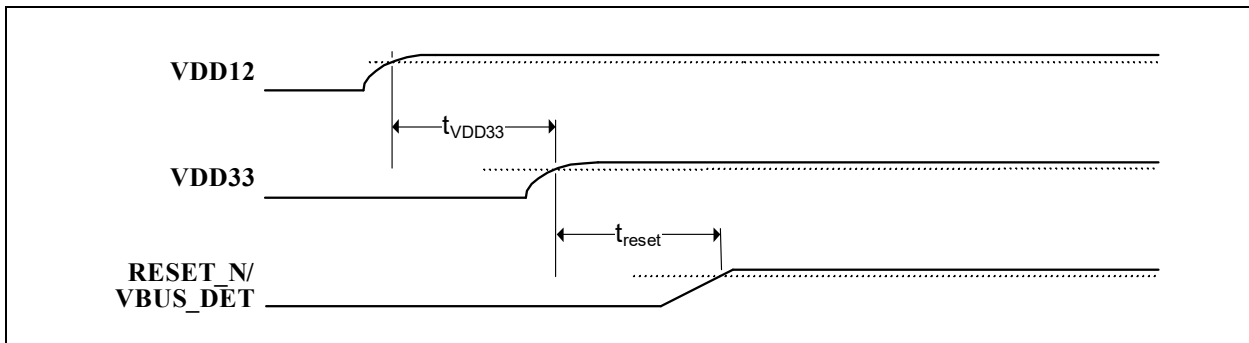


TABLE 10-5: POWER SUPPLY AND RESET_N SEQUENCE TIMING

| Symbol | Description | Min | Typ | Max | Units |
|-------------|-------------------------------------|-----|-----|-----|-------|
| t_{VDD33} | VDD12 to VDD33 rise time | 0 | | | ms |
| t_{reset} | VDD33 to RESET_N/VBUS_DET rise time | 0 | | | ms |

10.6.2 POWER-ON AND CONFIGURATION STRAP TIMING

Figure 10-3 illustrates the configuration strap valid timing requirements in relation to power-on, for applications where RESET_N is not used at power-on. In order for valid configuration strap values to be read at power-on, the following timing requirements must be met. The operational levels (V_{opp}) for the external power supplies are detailed in Section 10.2, "Operating Conditions**," on page 42.

FIGURE 10-3: POWER-ON CONFIGURATION STRAP VALID TIMING

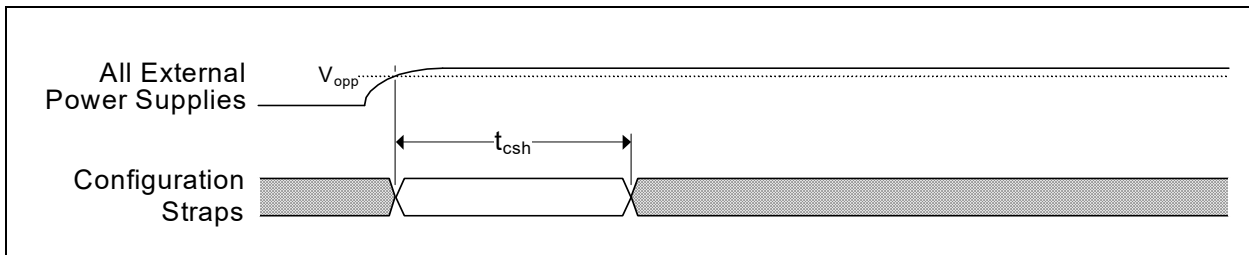


TABLE 10-6: POWER-ON CONFIGURATION STRAP LATCHING TIMING

| Symbol | Description | Min | Typ | Max | Units |
|-----------|--|-----|-----|-----|-------|
| t_{csh} | Configuration strap hold after external power supplies at operational levels | 1 | | | ms |

Device configuration straps are also latched as a result of RESET_N assertion. Refer to Section 10.6.3, "Reset and Configuration Strap Timing" for additional details.

10.6.3 RESET AND CONFIGURATION STRAP TIMING

Figure 10-4 illustrates the **RESET_N** pin timing requirements and its relation to the configuration strap pins. Assertion of **RESET_N** is not a requirement. However, if used, it must be asserted for the minimum period specified. Refer to Section 8.3, "Resets" for additional information on resets. Refer to Section 3.4, "Configuration Straps and Programmable Functions" for additional information on configuration straps.

FIGURE 10-4: RESET_N CONFIGURATION STRAP TIMING

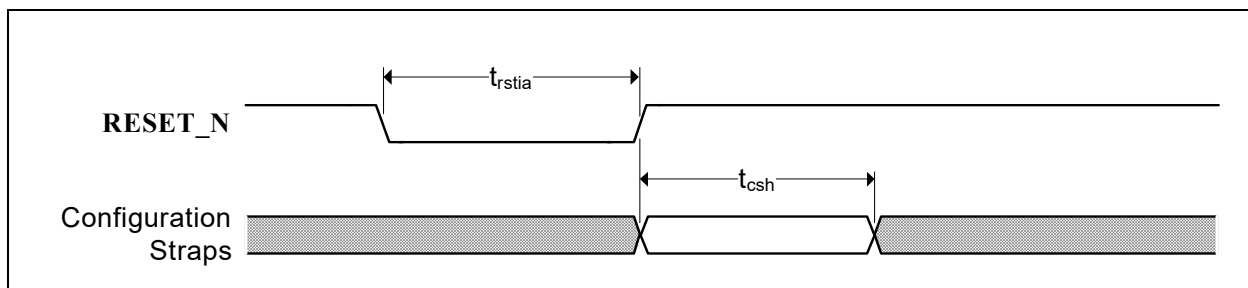


TABLE 10-7: RESET_N CONFIGURATION STRAP TIMING

| Symbol | Description | Min | Typ | Max | Units |
|-------------|--|-----|-----|-----|---------|
| t_{rstia} | RESET_N input assertion time | 5 | | | μ s |
| t_{csh} | Configuration strap pins hold after RESET_N deassertion | 1 | | | ms |

Note: The clock input must be stable prior to **RESET_N** deassertion.

Configuration strap latching and output drive timings shown assume that the Power-On reset has finished first otherwise the timings in Section 10.6.2, "Power-On and Configuration Strap Timing" apply.

10.6.4 USB TIMING

All device USB signals conform to the voltage, power, and timing characteristics/specifications as set forth in the *Universal Serial Bus Specification*. Please refer to the *Universal Serial Bus Revision 3.2 Specification*, available at <http://www.usb.org/developers/docs>.

10.6.5 I²C TIMING

All device I²C signals conform to the 400KHz Fast Mode (Fm) voltage, power, and timing characteristics/specifications as set forth in the *I²C-Bus Specification*. Please refer to the *I²C-Bus Specification*, available at http://www.nxp.com/documents/user_manual/UM10204.pdf.

10.6.6 SMBUS TIMING

All device SMBus signals conform to the voltage, power, and timing characteristics/specifications as set forth in the *System Management Bus Specification*. Please refer to the *System Management Bus Specification*, Version 1.0, available at <http://smbus.org/specs>.

USB5734

10.6.7 SPI TIMING

This section specifies the SPI timing requirements for the device.

FIGURE 10-5: SPI TIMING

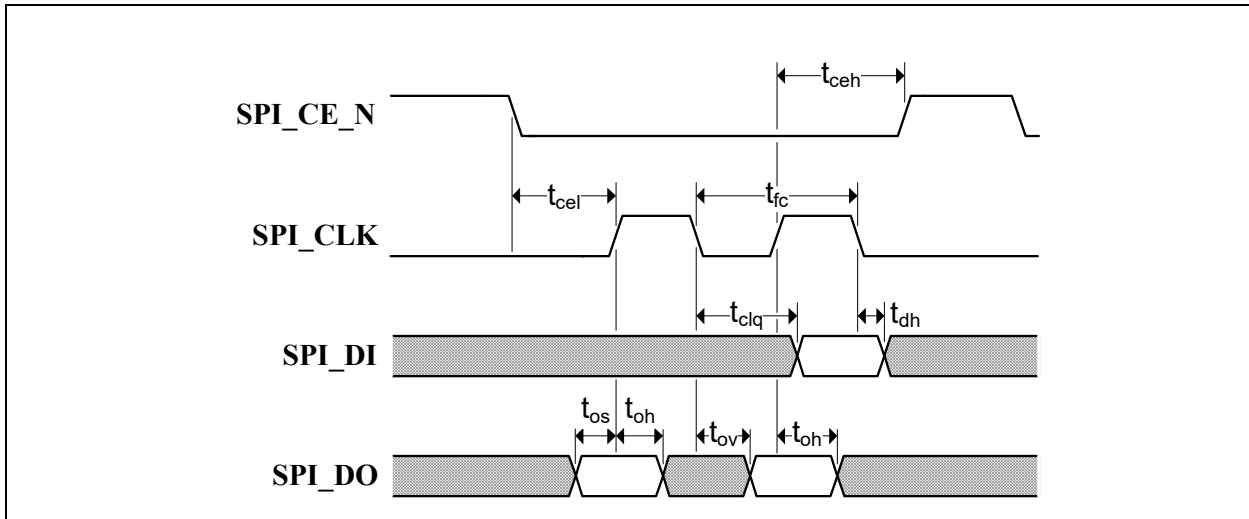


TABLE 10-8: SPI TIMING (30 MHZ OPERATION)

| Symbol | Description | Min | Typ | Max | Units |
|-----------|--|-----|-----|-----|-------|
| t_{fc} | Clock frequency | | | 30 | MHz |
| t_{ceh} | Chip enable (SPI_CE_EN) high time | 100 | | | ns |
| t_{clq} | Clock to input data | | | 13 | ns |
| t_{dh} | Input data hold time | 0 | | | ns |
| t_{os} | Output setup time | 5 | | | ns |
| t_{oh} | Output hold time | 5 | | | ns |
| t_{ov} | Clock to output valid | 4 | | | ns |
| t_{cel} | Chip enable (SPI_CE_EN) low to first clock | 12 | | | ns |
| t_{ceh} | Last clock to chip enable (SPI_CE_EN) high | 12 | | | ns |

TABLE 10-9: SPI TIMING (60 MHZ OPERATION)

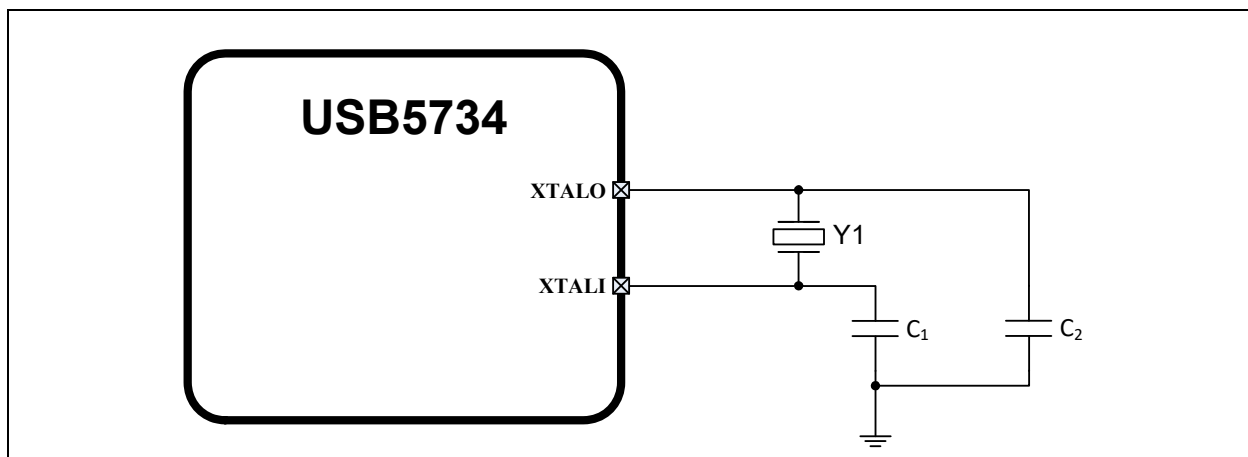
| Symbol | Description | Min | Typ | Max | Units |
|-----------|--|-----|-----|-----|-------|
| t_{fc} | Clock frequency | | | 60 | MHz |
| t_{ceh} | Chip enable (SPI_CE_EN) high time | 50 | | | ns |
| t_{clq} | Clock to input data | | | 9 | ns |
| t_{dh} | Input data hold time | 0 | | | ns |
| t_{os} | Output setup time | 5 | | | ns |
| t_{oh} | Output hold time | 5 | | | ns |
| t_{ov} | Clock to output valid | 4 | | | ns |
| t_{cel} | Chip enable (SPI_CE_EN) low to first clock | 12 | | | ns |
| t_{ceh} | Last clock to chip enable (SPI_CE_EN) high | 12 | | | ns |

10.7 Clock Specifications

The device can accept either a 25MHz crystal or a 25MHz single-ended clock oscillator ($\pm 50\text{ppm}$) input. If the single-ended clock oscillator method is implemented, XTALO should be left unconnected and XTALI/CLK_IN should be driven with a nominal 0-3.3V clock signal. The input clock duty cycle is 40% minimum, 50% typical and 60% maximum.

It is recommended that a crystal utilizing matching parallel load capacitors be used for the crystal input/output signals (XTALI/XTALO). The following circuit design (Figure 10-6) and specifications (Table 10-10) are required to ensure proper operation.

FIGURE 10-6: 25MHZ CRYSTAL CIRCUIT



10.7.1 CRYSTAL SPECIFICATIONS

It is recommended that a crystal utilizing matching parallel load capacitors be used for the crystal input/output signals (XTALI/XTALO). Refer to Table 10-10 for the recommended crystal specifications.

TABLE 10-10: CRYSTAL SPECIFICATIONS

| Parameter | Symbol | Min | Nom | Max | Units | Notes |
|-------------------------------|-------------------|------------------------|--------------|-----------|----------|---------|
| Crystal Cut | | AT, typ | | | | |
| Crystal Oscillation Mode | | Fundamental Mode | | | | |
| Crystal Calibration Mode | | Parallel Resonant Mode | | | | |
| Frequency | F_{fund} | - | 25.000 | - | MHz | |
| Frequency Tolerance @ 25°C | F_{tol} | - | - | ± 50 | PPM | Note 7 |
| Frequency Stability Over Temp | F_{temp} | - | - | ± 50 | PPM | Note 7 |
| Frequency Deviation Over Time | F_{age} | - | ± 3 to 5 | - | PPM | |
| Total Allowable PPM Budget | | - | - | ± 100 | PPM | Note 8 |
| Shunt Capacitance | C_O | - | 7 typ | - | pF | |
| Load Capacitance | C_L | - | 20 typ | - | pF | |
| Drive Level | P_W | 100 | - | - | uW | |
| Equivalent Series Resistance | R_1 | - | - | 50 | Ω | |
| Operating Temperature Range | | Note 8 | - | Note 9 | °C | |
| XTALI/CLK_IN Pin Capacitance | | - | 3 typ | - | pF | Note 10 |
| XTALO Pin Capacitance | | - | 3 typ | - | pF | Note 10 |

Note 7: Frequency Deviation Over Time is also referred to as Aging.

USB5734

Note 8: 0 °C for commercial version, -40 °C for industrial version.

Note 9: +70 °C for commercial version, +85 °C for industrial version.

Note 10: This number includes the pad, the bond wire and the lead frame. PCB capacitance is not included in this value. The XTALI/CLK_IN pin, XTALO pin and PCB capacitance values are required to accurately calculate the value of the two external load capacitors. These two external load capacitors determine the accuracy of the 25.000 MHz frequency.

10.7.2 EXTERNAL REFERENCE CLOCK (CLK_IN)

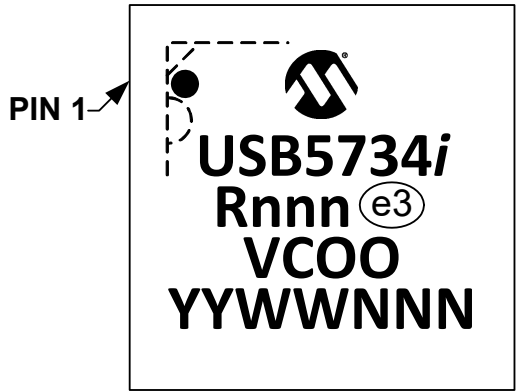
When using an external reference clock, the following input clock specifications are suggested:

- 25 MHz
- 50% duty cycle $\pm 10\%$, ± 100 ppm
- Jitter < 100 ps RMS

11.0 PACKAGE INFORMATION

11.1 Package Marking Information

64-VQFN (9x9 mm)



PIN 1

Legend:

| | |
|----------|--|
| <i>i</i> | Temperature range designator (Blank = commercial, <i>i</i> = industrial) |
| R | Product revision |
| nnn | Internal code |
| e3 | Pb-free JEDEC® designator for Matte Tin (Sn) |
| V | Plant of assembly |
| COO | Country of origin |
| YY | Year code (last two digits of calendar year) |
| WW | Week code (week of January 1 is week '01') |
| NNN | Alphanumeric traceability code |

Note: In the event the full Microchip part number cannot be marked on one line, it will be carried over to the next line, thus limiting the number of available characters for customer-specific information.

* Standard device marking consists of Microchip part number, year code, week code and traceability code. For device marking beyond this, certain price adders apply. Please check with your Microchip Sales Office. For QTP devices, any special marking adders are included in QTP price.

USB5734

11.2 Package Drawings

Note: For the most current package drawings, see the Microchip Packaging Specification at: <http://www.microchip.com/packaging>.

FIGURE 11-1: 64-VQFN PACKAGE (DRAWING)

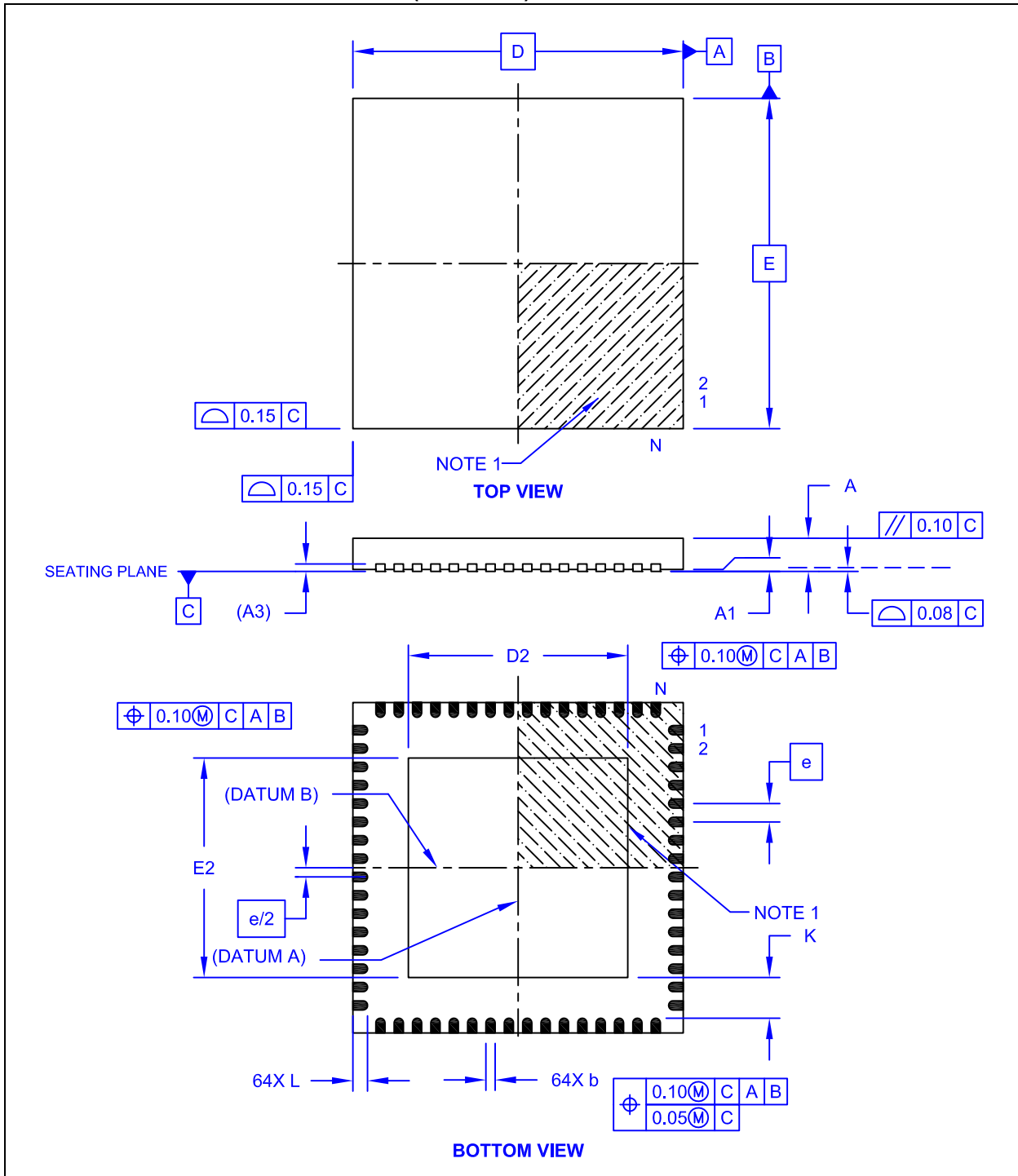
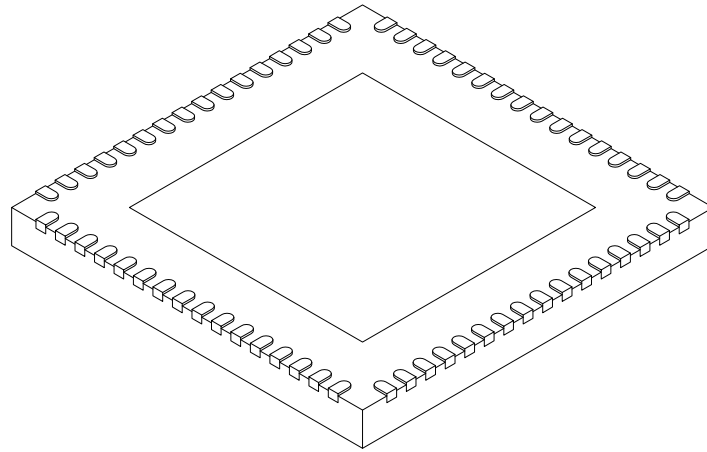


FIGURE 11-2: 64-VQFN PACKAGE (DIMENSIONS)



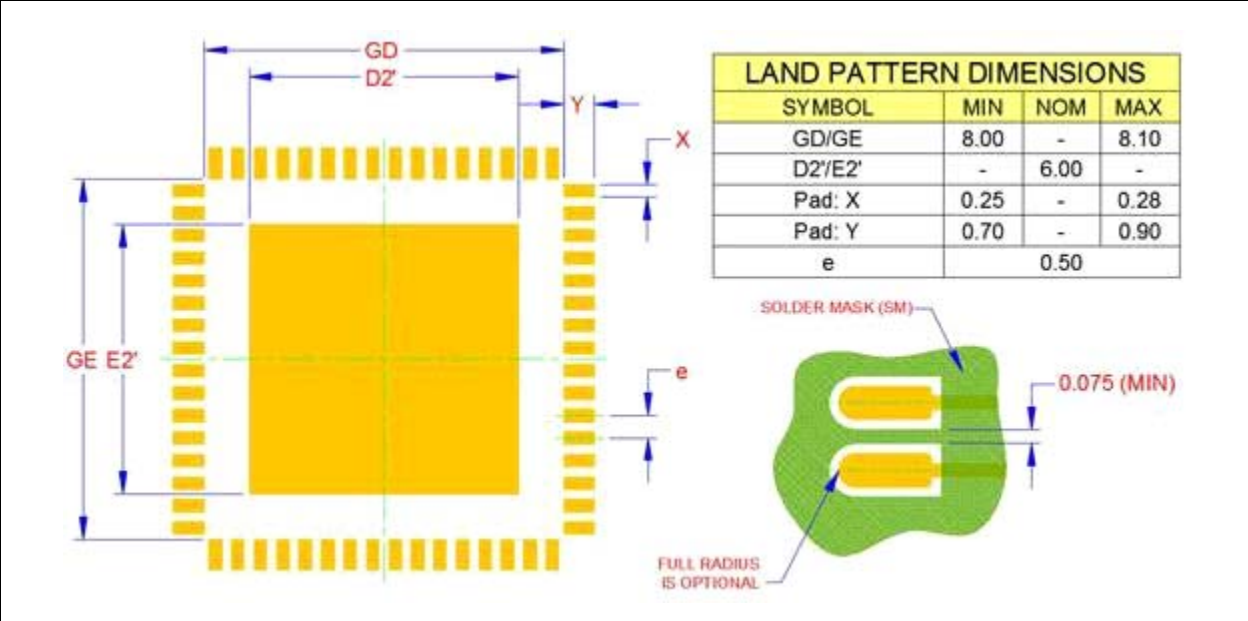
| Dimension Limits | Units | MILLIMETERS | | |
|------------------------|-------|-------------|------|------|
| | | MIN | NOM | MAX |
| Number of Pins | N | 64 | | |
| Pitch | e | 0.50 BSC | | |
| Overall Height | A | 0.80 | 0.90 | 1.00 |
| Standoff | A1 | 0.00 | 0.02 | 0.05 |
| Contact Thickness | A3 | 0.20 REF | | |
| Overall Width | E | 9.00 BSC | | |
| Exposed Pad Width | E2 | 5.90 | 6.00 | 6.10 |
| Overall Length | D | 9.00 BSC | | |
| Exposed Pad Length | D2 | 5.90 | 6.00 | 6.10 |
| Contact Width | b | 0.18 | 0.25 | 0.30 |
| Contact Length | L | 0.30 | 0.40 | 0.50 |
| Contact-to-Exposed Pad | K | 0.90 | 1.10 | - |

Notes:

1. Pin 1 visual index feature may vary, but must be located within the hatched area.
2. Package is saw singulated.
3. Dimensioning and tolerancing per ASME Y14.5M.
 - BSC: Basic Dimension. Theoretically exact value shown without tolerances.
 - REF: Reference Dimension, usually without tolerance, for information purposes only.

USB5734

FIGURE 11-3: 64-VQFN LAND PATTERN



APPENDIX A: DATA SHEET REVISION HISTORY

TABLE A-1: REVISION HISTORY

| Revision Level & Date | Section/Figure/Entry | Correction |
|------------------------|--|--|
| DS00001854H (07-21-20) | "USB 3.1" changed to "USB 3.2" throughout document. | |
| | Table 3-2, "Pin Reset State Legend" | Table added. |
| | Pin Descriptions on page 10 | "Reset State" column added to Pin Assignment table. Notes added to tables explaining what to do with certain pins when unused. |
| | Section 10.2, "Operating Conditions**" | Supply Voltage Rise Time increased to 5ms. |
| | Section FIGURE 10-1: "Supply Rise Time Model" | Note added following diagram. |
| DS00001854G (07-20-18) | FIGURE 10-2: on page 46 and Table 10-5, "Power Supply and RESET_N Sequence Timing" | Rise time modified: "VDD33 to VDD12" changed to "VDD12" to VDD33". |
| | Section 9.0, "Compliance Update" | TID number added to first paragraph. |
| DS00001854F (06-12-18) | Cover | Added new Highlight bullet/sub-bullets regarding USB-IF ECN support: "USB-IF certified (TID 330000076), supporting latest Engineering Change Notices for compliance with USB-IF logo testing for new USB Type-C™ industry initiative". |
| | Section 1.2, "Reference Documents" | Updated USB specification reference. |
| | Section 9.0, "Compliance Update" | Added new Compliance Update section. |
| | FIGURE 10-2: on page 46 and Table 10-5, "Power Supply and RESET_N Sequence Timing" | Rise time modified: "VDD12 to VDD33" changed to "VDD33" to VDD12". |
| DS00001854E(02-10-17) | Table 3-1 | Removed errant duplicate pin assignment table. |
| | Table 3-12 | Corrected I2C_SLV_CFG0/1 ordering. |
| DS00001854D (06-06-16) | Section 11.0, Package Information | Added top marking information and land pattern drawing. |
| | All | Updated "SQFN" references to "VQFN". Name change only. |
| | Section 8.6.2.1, Port Power Control using USB Power Switch | Added additional information on overcurrent detection methods. |
| | Section 10.6.1, Power Supply and RESET_N Sequence Timing | Added Power Supply and RESET_N Sequence Timing section. |
| | Section 10.6.5, I2C Timing | "100kHz Standard Mode (Sm)" updated to "400kHz Fast Mode (Fm)", since the device supports up to 400kHz I ² C operation. |
| DS00001854C (06-22-15) | All | Updated "USB 3.0" references to "USB 3.1 Gen 1" throughout the document Updated USB specification references Misc. typos |
| DS00001854B (04-16-15) | Features | Changed Environmental feature bullet from "4kV HBM JESD22-A114F ESD protection" to "3kV HBM JESD22-A114F ESD protection" |

USB5734

TABLE A-1: REVISION HISTORY (CONTINUED)

| Revision Level & Date | Section/Figure/Entry | Correction |
|-----------------------|--|--|
| | Section 10.2, Operating Conditions** | Changed XTALI/CLK_IN Voltage to -0.3V to +3.6V |
| | Table 10-10, "Crystal Specifications" | Total Allowable PPM budget changed to 100ppm, removed notes under table regarding "Frequency Tolerance" and "Frequency and Transmitter Clock Frequency" |
| | Section 10.7.2, External Reference Clock (CLK_IN) | Changed +-350ppm t +-100 ppm |
| | Figure 3-1, "64-VQFN Pin Assignments", Table 3-1, "64-VQFN Pin Assignments" | Modified pin 32 from "PRT_CTL4/GANG_PWR" to "PRT_CTL4/GANG_PWR" |
| | Table 3-5, "USB Port Control Pin Descriptions" | Revised description of Pin 1, GANG_PWR |
| | Table 1-1, "General Terms" and throughout document | Replaced the term Hub Controller with Hub Feature Controller, added definition in Table 1-1, "General Terms". |
| | Section 6.1.2, SMBus Accessible Functions | Added web link to AN1903 |
| | | Removed PortMap feature throughout document. |
| | Table 3-8, "Miscellaneous Pin Descriptions" | Modified RESET_N pin description |
| | Section 8.4, Link Power Management (LPM) | Removed "per the USB 3.0 Specification" from the first sentence. Removed last sentence "For additional information, refer to the USB 3.0 Specification." |
| | Table 10-2, "MAXIMUM Power Dissipation" | Added Table 10-2. |
| | Section 10.7, "Clock Specifications", Figure 10-6, Table 10-10, "Crystal Specifications" | Updated these sections. |
| | Section 10.7.2, External Reference Clock (CLK_IN) | Oscillator changed from "35MHz" to "25 MHz" |
| | Section 10.6.7, SPI Timing | Removed SPI interface configure note |
| | Section 10.1, Absolute Maximum Ratings* | Added "Positive voltage on USB 3.0 USB3UP_ xxx and USB3DN_ xxx signal pins, with respect to ground...1.32 V |
| | | Changed XTALI positive voltage from 2.1V to 3.63V. |
| | | Changed "USB 3.0 DP/DM Signal Pins Voltage" to "USB 3.0 USB3UP_ xxx and USB3DN_ xxx Signal Pins Voltage" |
| | Section 8.6.2, "Port Connection in Combined Mode," on page 37 | Added note under Section 8.6.2 |
| | Product Identification System on page 59 | Updated ordering information |
| | Section 10.1, "Absolute Maximum Ratings*," on page 42 | Updated +1.2V supply voltage absolute max value. Added HBM ESD performance specification. |
| | Table 10-1, "Package Thermal Parameters," on page 43 | Added package thermal parameters. |

TABLE A-1: REVISION HISTORY (CONTINUED)

| Revision Level & Date | Section/Figure/Entry | Correction |
|------------------------|---|---|
| | Worldwide Sales and Service | Updated Worldwide Sales Listing |
| | Table 10-4, "I/O DC Electrical Characteristics," on page 45 | Updated I buffer type high input level max. Added IS buffer type Schmitt trigger hysteresis values and note for PROG_FUNC3 pin. |
| | Cover, All | Updated document title to "4-Port SS/HS Controller Hub" Removed PortMap references. Removed sentence: "These circuits are used to detect the attachment and type of a USB charger and provide an interrupt output to indicate charger information is available to be read from the device's status registers via the serial interface." |
| | FIGURE 3-1: 64-VQFN Pin Assignments on page 8 | Added configuration strap note under figure. |
| | Table 3-7, "Programmable Function Pin Descriptions," on page 14, Table 3-16, Table 3-17, Table 3-18, Table 3-19, Table 3-20, Table 3-21 | Added note to PROG_FUNC[7:1] buffer type column, which indicates the following: "The PROG_FUNC2 buffer type is I/O6. The PROG_FUNC7 buffer type is I/O10. All other PROG_FUNCx pins have a buffer type of I/O12." |
| | Table 3-16, Table 3-17, Table 3-18, Table 3-19, Table 3-20, Table 3-21 | Updated PROG_FUNC2 and PROG_FUNC7 buffer type definitions to reflect O6 and O10 outputs, respectively. |
| | Table 3-10, "Buffer Types," on page 15, Table 10-4, "I/O DC Electrical Characteristics," on page 45 | Added O10 buffer type |
| | Table 3-16, "Configuration 1 PROG_FUNC[7:1] Function Assignment," on page 19 | Updated PROG_FUNC7 name in Configuration 1 - Mixed Mode from SUSP_IND to USB2_SUSP_IND and clarified description. |
| | Section 3.4.5.6, "Configuration 6 - Full UART Mode," on page 25 | Added note: "When flow control is disabled, UART_nCTS , UART_nDCD , and UART_nDSR must not be left floating. In this case, these pins should include external pull-downs to maintain UART communication in Full UART Mode with no flow control." |
| | Section 8.2, "FlexConnect," on page 35 | Updated second paragraph to clarify proper FLEXCONNECT operation. |
| | Section 8.5, "Remote Wakeup Indicator," on page 37 | Updated SUSP_IND to USB2_SUSP_IND and clarified the function is for USB2.0 only. |
| DS00001854A (12-15-14) | All | Initial Release |

USB5734

THE MICROCHIP WEB SITE

Microchip provides online support via our WWW site at www.microchip.com. This web site is used as a means to make files and information easily available to customers. Accessible by using your favorite Internet browser, the web site contains the following information:

- **Product Support** – Data sheets and errata, application notes and sample programs, design resources, user's guides and hardware support documents, latest software releases and archived software
- **General Technical Support** – Frequently Asked Questions (FAQ), technical support requests, online discussion groups, Microchip consultant program member listing
- **Business of Microchip** – Product selector and ordering guides, latest Microchip press releases, listing of seminars and events, listings of Microchip sales offices, distributors and factory representatives

CUSTOMER CHANGE NOTIFICATION SERVICE

Microchip's customer notification service helps keep customers current on Microchip products. Subscribers will receive e-mail notification whenever there are changes, updates, revisions or errata related to a specified product family or development tool of interest.

To register, access the Microchip web site at www.microchip.com. Under "Support", click on "Customer Change Notification" and follow the registration instructions.

CUSTOMER SUPPORT

Users of Microchip products can receive assistance through several channels:

- Distributor or Representative
- Local Sales Office
- Field Application Engineer (FAE)
- Technical Support

Customers should contact their distributor, representative or field application engineer (FAE) for support. Local sales offices are also available to help customers. A listing of sales offices and locations is included in the back of this document.

Technical support is available through the web site at: <http://www.microchip.com/support>

PRODUCT IDENTIFICATION SYSTEM

To order or obtain information, e.g., on pricing or delivery, refer to the factory or the listed sales office.

| <u>PART NO.</u> | | [X] | [-X] | / | XX |
|------------------------------|---------|--|-------------------|---|---------|
| Device | | Tape & Reel Option | Temperature Range | | Package |
| Device: | USB5734 | | | | |
| Tape and Reel Option: | Blank | = Standard packaging (tray) | | | |
| | T | = Tape and Reel (Note 1) | | | |
| Temperature Range: | Blank | = 0°C to +70°C | (Commercial) | | |
| | I | = -40°C to +85°C | (Industrial) | | |
| Package: | MR | = 64-pin VQFN | | | |

Examples:

- a) USB5734/MR
Tray, Commercial temp., 64-pin VQFN
- b) USB5734-I/MR
Tray, Industrial temp., 64-pin VQFN
- c) USB5734T-I/MR
Tape & reel, Industrial temp., 64-pin VQFN
- d) USB5734T/MR
Tape & reel, Commercial temp., 64-pin VQFN

Note 1: Tape and Reel identifier only appears in the catalog part number description. This identifier is used for ordering purposes and is not printed on the device package. Check with your Microchip Sales Office for package availability with the Tape and Reel option.

USB5734

Note the following details of the code protection feature on Microchip devices:

- Microchip products meet the specification contained in their particular Microchip Data Sheet.
- Microchip believes that its family of products is one of the most secure families of its kind on the market today, when used in the intended manner and under normal conditions.
- There are dishonest and possibly illegal methods used to breach the code protection feature. All of these methods, to our knowledge, require using the Microchip products in a manner outside the operating specifications contained in Microchip's Data Sheets. Most likely, the person doing so is engaged in theft of intellectual property.
- Microchip is willing to work with the customer who is concerned about the integrity of their code.
- Neither Microchip nor any other semiconductor manufacturer can guarantee the security of their code. Code protection does not mean that we are guaranteeing the product as “unbreakable.”

Code protection is constantly evolving. We at Microchip are committed to continuously improving the code protection features of our products. Attempts to break Microchip's code protection feature may be a violation of the Digital Millennium Copyright Act. If such acts allow unauthorized access to your software or other copyrighted work, you may have a right to sue for relief under that Act.

Information contained in this publication regarding device applications and the like is provided only for your convenience and may be superseded by updates. It is your responsibility to ensure that your application meets with your specifications. MICROCHIP MAKES NO REPRESENTATIONS OR WARRANTIES OF ANY KIND WHETHER EXPRESS OR IMPLIED, WRITTEN OR ORAL, STATUTORY OR OTHERWISE, RELATED TO THE INFORMATION, INCLUDING BUT NOT LIMITED TO ITS CONDITION, QUALITY, PERFORMANCE, MERCHANTABILITY OR FITNESS FOR PURPOSE. Microchip disclaims all liability arising from this information and its use. Use of Microchip devices in life support and/or safety applications is entirely at the buyer's risk, and the buyer agrees to defend, indemnify and hold harmless Microchip from any and all damages, claims, suits, or expenses resulting from such use. No licenses are conveyed, implicitly or otherwise, under any Microchip intellectual property rights unless otherwise stated.

Trademarks

The Microchip name and logo, the Microchip logo, Adaptec, AnyRate, AVR, AVR logo, AVR Freaks, BesTime, BitCloud, chipKIT, chipKIT logo, CryptoMemory, CryptoRF, dsPIC, FlashFlex, flexPWR, HELDO, IGLOO, JukeBlox, KeeLoq, Klear, LANCheck, LinkMD, maXStylus, maXTouch, MediaLB, megaAVR, Microsemi, Microsemi logo, MOST, MOST logo, MPLAB, OptoLyzer, PackeTime, PIC, picoPower, PICSTART, PIC32 logo, PolarFire, Prochip Designer, QTouch, SAM-BA, SenGenuity, SpyNIC, SST, SST Logo, SuperFlash, Symmetricom, SyncServer, Tachyon, TempTracker, TimeSource, tinyAVR, UNI/O, Vectron, and XMEGA are registered trademarks of Microchip Technology Incorporated in the U.S.A. and other countries.

APT, ClockWorks, The Embedded Control Solutions Company, EtherSynch, FlashTec, Hyper Speed Control, HyperLight Load, IntelliMOS, Libero, motorBench, mTouch, Powermite 3, Precision Edge, ProASIC, ProASIC Plus, ProASIC Plus logo, Quiet-Wire, SmartFusion, SyncWorld, Temux, TimeCesium, TimeHub, TimePictra, TimeProvider, Vite, WinPath, and ZL are registered trademarks of Microchip Technology Incorporated in the U.S.A.

Adjacent Key Suppression, AKS, Analog-for-the-Digital Age, Any Capacitor, AnyIn, AnyOut, BlueSky, BodyCom, CodeGuard, CryptoAuthentication, CryptoAutomotive, CryptoCompanion, CryptoController, dsPICDEM, dsPICDEM.net, Dynamic Average Matching, DAM, ECAN, EtherGREEN, In-Circuit Serial Programming, ICSP, INICnet, Inter-Chip Connectivity, JitterBlocker, KlearNet, KlearNet logo, memBrain, Mindi, MiWi, MPASM, MPF, MPLAB Certified logo, MPLIB, MPLINK, MultiTRAK, NetDetach, Omniscient Code Generation, PICDEM, PICDEM.net, PICkit, PICtail, PowerSmart, PureSilicon, QMatrix, REAL ICE, Ripple Blocker, SAM-ICE, Serial Quad I/O, SMART-I.S., SQT, SuperSwitcher, SuperSwitcher II, Total Endurance, TSHARC, USBCheck, VariSense, ViewSpan, WiperLock, Wireless DNA, and ZENA are trademarks of Microchip Technology Incorporated in the U.S.A. and other countries.

SQTP is a service mark of Microchip Technology Incorporated in the U.S.A.

The Adaptec logo, Frequency on Demand, Silicon Storage Technology, and Symmcom are registered trademarks of Microchip Technology Inc. in other countries.

GestIC is a registered trademark of Microchip Technology Germany II GmbH & Co. KG, a subsidiary of Microchip Technology Inc., in other countries.

All other trademarks mentioned herein are property of their respective companies.

© 2015-2020, Microchip Technology Incorporated, All Rights Reserved.

ISBN: 9781522463405

For information regarding Microchip's Quality Management Systems, please visit www.microchip.com/quality.



Worldwide Sales and Service

AMERICAS

Corporate Office
2355 West Chandler Blvd.
Chandler, AZ 85224-6199
Tel: 480-792-7200
Fax: 480-792-7277
Technical Support:
[http://www.microchip.com/
support](http://www.microchip.com/support)
Web Address:
www.microchip.com

Atlanta
Duluth, GA
Tel: 678-957-9614
Fax: 678-957-1455

Austin, TX
Tel: 512-257-3370

Boston
Westborough, MA
Tel: 774-760-0087
Fax: 774-760-0088

Chicago
Itasca, IL
Tel: 630-285-0071
Fax: 630-285-0075

Dallas
Addison, TX
Tel: 972-818-7423
Fax: 972-818-2924

Detroit
Novi, MI
Tel: 248-848-4000

Houston, TX
Tel: 281-894-5983

Indianapolis
Noblesville, IN
Tel: 317-773-8323
Fax: 317-773-5453
Tel: 317-536-2380

Los Angeles
Mission Viejo, CA
Tel: 949-462-9523
Fax: 949-462-9608
Tel: 951-273-7800

Raleigh, NC
Tel: 919-844-7510

New York, NY
Tel: 631-435-6000

San Jose, CA
Tel: 408-735-9110
Tel: 408-436-4270

Canada - Toronto
Tel: 905-695-1980
Fax: 905-695-2078

ASIA/PACIFIC

Australia - Sydney
Tel: 61-2-9868-6733

China - Beijing
Tel: 86-10-8569-7000

China - Chengdu
Tel: 86-28-8665-5511

China - Chongqing
Tel: 86-23-8980-9588

China - Dongguan
Tel: 86-769-8702-9880

China - Guangzhou
Tel: 86-20-8755-8029

China - Hangzhou
Tel: 86-571-8792-8115

China - Hong Kong SAR
Tel: 852-2943-5100

China - Nanjing
Tel: 86-25-8473-2460

China - Qingdao
Tel: 86-532-8502-7355

China - Shanghai
Tel: 86-21-3326-8000

China - Shenyang
Tel: 86-24-2334-2829

China - Shenzhen
Tel: 86-755-8864-2200

China - Suzhou
Tel: 86-186-6233-1526

China - Wuhan
Tel: 86-27-5980-5300

China - Xian
Tel: 86-29-8833-7252

China - Xiamen
Tel: 86-592-2388138

China - Zhuhai
Tel: 86-756-3210040

ASIA/PACIFIC

India - Bangalore
Tel: 91-80-3090-4444

India - New Delhi
Tel: 91-11-4160-8631

India - Pune
Tel: 91-20-4121-0141

Japan - Osaka
Tel: 81-6-6152-7160

Japan - Tokyo
Tel: 81-3-6880-3770

Korea - Daegu
Tel: 82-53-744-4301

Korea - Seoul
Tel: 82-2-554-7200

Malaysia - Kuala Lumpur
Tel: 60-3-7651-7906

Malaysia - Penang
Tel: 60-4-227-8870

Philippines - Manila
Tel: 63-2-634-9065

Singapore
Tel: 65-6334-8870

Taiwan - Hsin Chu
Tel: 886-3-577-8366

Taiwan - Kaohsiung
Tel: 886-7-213-7830

Taiwan - Taipei
Tel: 886-2-2508-8600

Thailand - Bangkok
Tel: 66-2-694-1351

Vietnam - Ho Chi Minh
Tel: 84-28-5448-2100

EUROPE

Austria - Wels
Tel: 43-7242-2244-39
Fax: 43-7242-2244-393

Denmark - Copenhagen
Tel: 45-4485-5910
Fax: 45-4485-2829

Finland - Espoo
Tel: 358-9-4520-820

France - Paris
Tel: 33-1-69-53-63-20
Fax: 33-1-69-30-90-79

Germany - Garching
Tel: 49-8931-9700

Germany - Haan
Tel: 49-2129-3766400

Germany - Heilbronn
Tel: 49-7131-72400

Germany - Karlsruhe
Tel: 49-721-625370

Germany - Munich
Tel: 49-89-627-144-0
Fax: 49-89-627-144-44

Germany - Rosenheim
Tel: 49-8031-354-560

Israel - Ra'anana
Tel: 972-9-744-7705

Italy - Milan
Tel: 39-0331-742611
Fax: 39-0331-466781

Italy - Padova
Tel: 39-049-7625286

Netherlands - Drunen
Tel: 31-416-690399
Fax: 31-416-690340

Norway - Trondheim
Tel: 47-7288-4388

Poland - Warsaw
Tel: 48-22-3325737

Romania - Bucharest
Tel: 40-21-407-87-50

Spain - Madrid
Tel: 34-91-708-08-90
Fax: 34-91-708-08-91

Sweden - Gothenberg
Tel: 46-31-704-60-40

Sweden - Stockholm
Tel: 46-8-5090-4654

UK - Wokingham
Tel: 44-118-921-5800
Fax: 44-118-921-5820