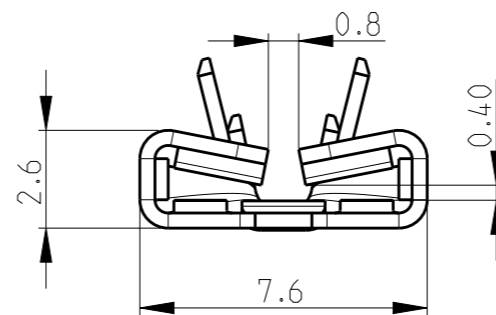
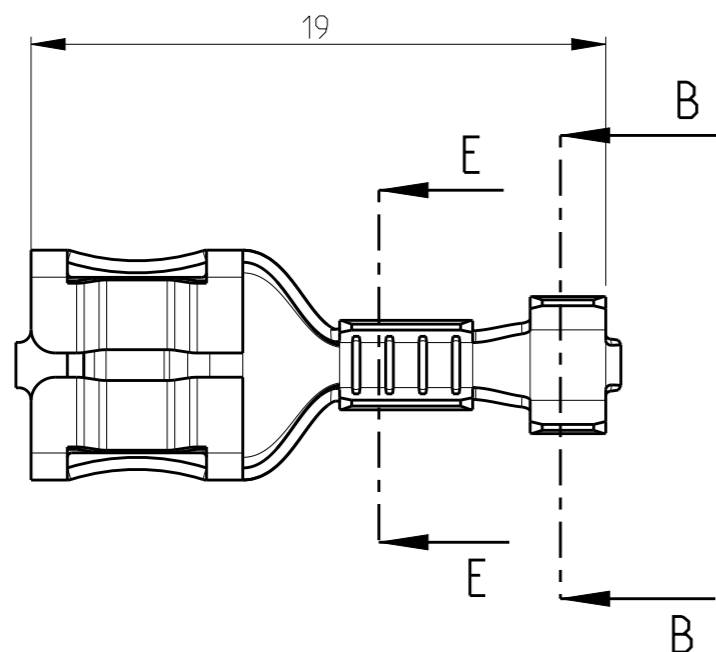
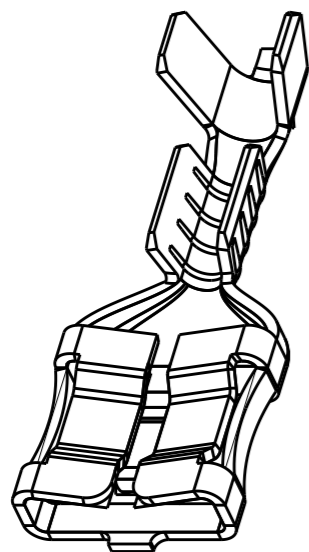
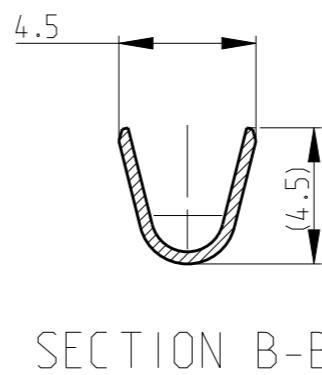
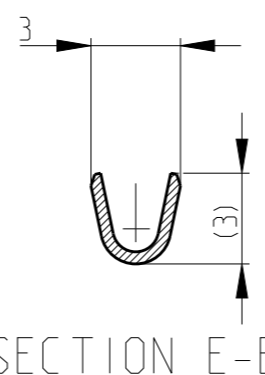
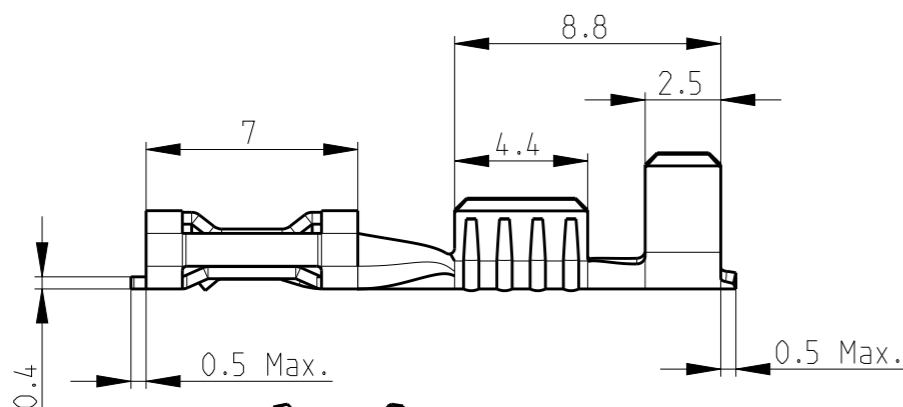


THIS DRAWING IS UNPUBLISHED. RELEASED FOR PUBLICATION 20
 © COPYRIGHT 20 BY TYCO ELECTRONICS CORPORATION ALL RIGHTS RESERVED.

LOC	DIST	REVISIONS			
P	LTR	DESCRIPTION	DATE	DWN	APVD
-	-	A6	RELEASE PER ECR-19-009634	15JUL2019	LZ TD



- NOTE:
- CONTINUOUS STRIP ON REELS
 - MATING TAB ACCORDING TO UL310 AND IEC61210 NORM. (WIDTH*THICKNESS IS 6.3*0.8mm)
 - WIRE SIZE IS #20-#18 AWG(0.5-1.0 sqmm)
 - INSULATION RANGE IS Ø1.8-2.5mm
 - CUT-OFF TAB LENGTH IS 0.5MM MAX.
 - PRELIMINARY, NOT FOR PRODUCTION.
 - APPLICATION FEED LENGTH 21.4mm.



Pre-TIN	CuNiSi	△ 2178299-3
Pre-TIN	BRASS	△ 2178299-2
Pre-NICKEL	Steel	2178299-1
FINISH	MATERIAL	PART NO.

THIS DRAWING IS A CONTROLLED DOCUMENT.		DWN VIBHUTHI 19NOV2012	TE Connectivity 6.3 SRS F-SPRING LIF RECEPTACLE	
DIMENSIONS: mm		CHK SUBHASH M 19NOV2012		
TOLERANCES UNLESS OTHERWISE SPECIFIED:		APVD SURESH T N 19NOV2012		
0 PLC ±0.5 1 PLC ±0.5 2 PLC ±0.1 3 PLC ± 4 PLC ± ANGLES ±°		PRODUCT SPEC 108-64027		
MATERIAL SEE TABLE		FINISH SEE TABLE	APPLICATION SPEC 114-64027	SIZE A3
			WEIGHT -	CAGE CODE 00779
			Customer Drawing	DRAWING NO. C-2178299
				RESTRICTED TO -
			SCALE 4:1	SHEET 1 OF 1
				REV A6