



PCN: PCN-PLP-42929-024-0

Product Change Notice

Issue Date: 07/14/17

Change Type:

Packing/Shipping related: Change to Carrier reel.

Parts Affected:

The BCM89500/BCM89501 devices are Broadcom's first fully integrated BroadR-Reach multilayer switches to support automotive qualifications (AEC-Q100) for in-car networking applications. This Product Change Notice affects the following part numbers: BCM89500BBQLEGT, BCM89501BBQLEGT, and BCM89200BBQLEGT.

Description and Extent of Change:

The knob/tab for the Cpak carrier tape has been improved to minimize the potential for bent pins during shipment. Please see the diagram below for the visual difference of the knob/tab.

Reasons for Change:

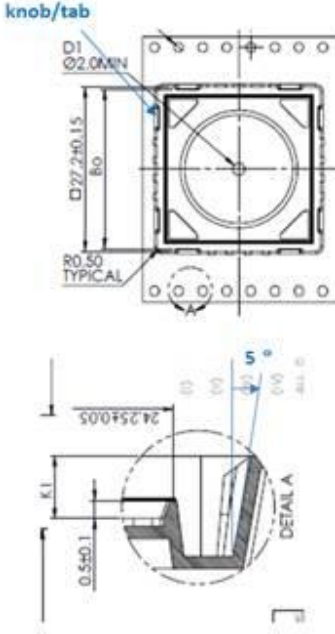
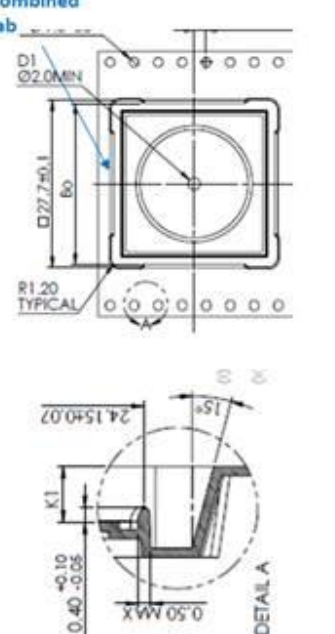
Reduce potential for bent pins during shipment.

Effect of Change on Fit, Form, Function, Quality, or Reliability:

Improved assembly yield at customer.

Effective Date of Change:

Product shipments from our supplier using this change will begin on or around WW1733. Timing of shipment of the changed part will vary by part number depending on customer demand and inventory levels.

Cpak carrier tape	Cpak improved carrier tape	Remarks
<p>knob/tab</p> 	<p>Combined tab</p> 	<p>- Change knob/tab to combined tab So as the force will equally distribute to leads when unit dislodge</p> <p>- Increase the slope to reduce the chance for leads to contact with wall when unit dislodge</p>

Please contact your Broadcom Limited field sales engineer or Contact Center for any questions or support requirements. Please return any response as soon as possible, but not to exceed 30 days.