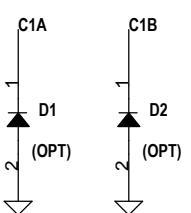
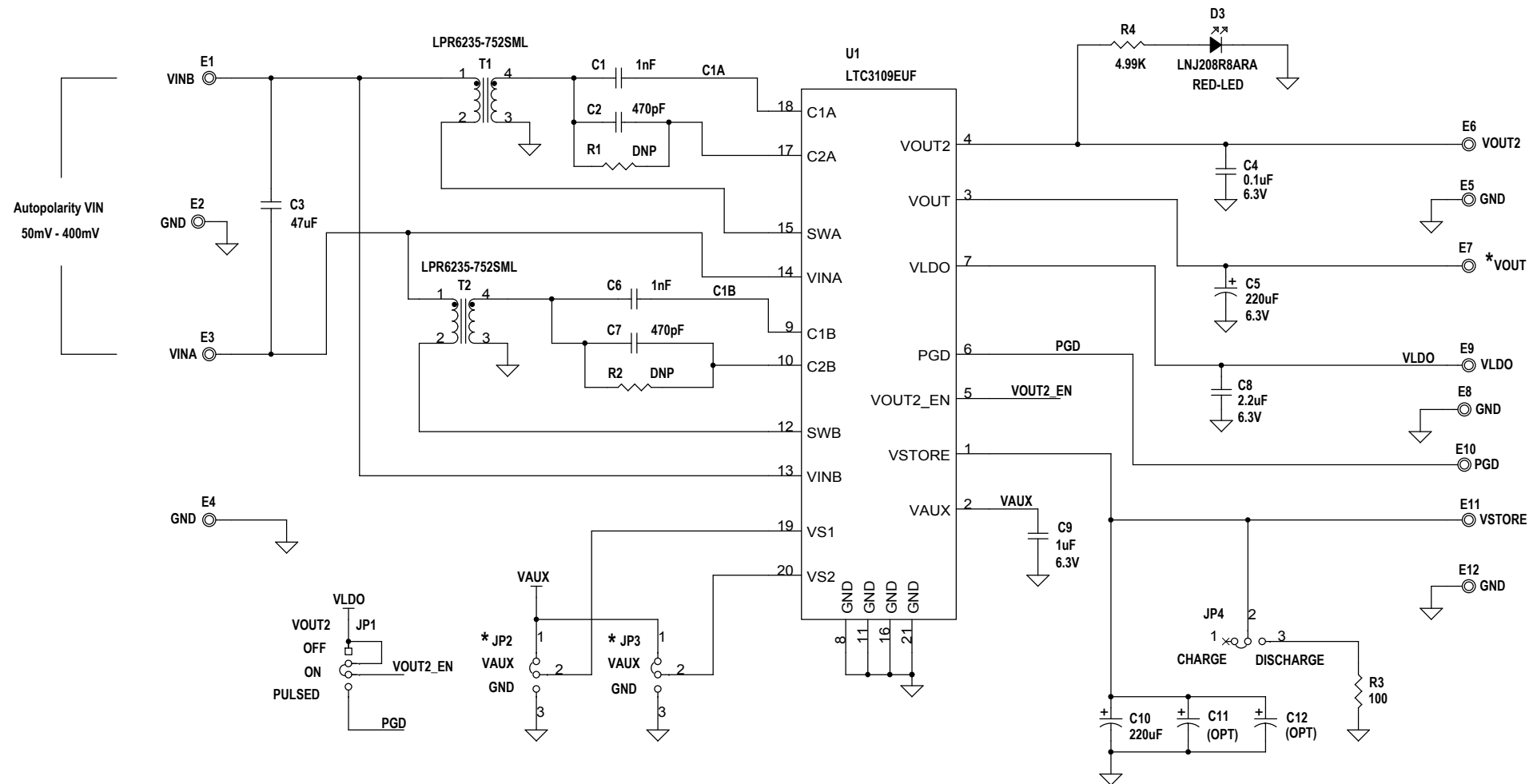


REVISION HISTORY				
ECO	REV	DESCRIPTION	APPROVED	DATE
—	2	PRODUCTION FAB	JAMES N.	5/18/10



*** VOUT JUMPER CONFIGURATION**

JP2	JP3	VOUT
GND	GND	2.35V
VAUX	GND	3.3V
GND	VAUX	4.1V
VAUX	VAUX	5.0V

CUSTOMER NOTICE		APPROVALS			1630 McCarthy Blvd. Milpitas, CA 95035 Phone: (408)432-1900 www.linear.com Fax: (408)434-0507 LTC Confidential-For Customer Use Only	
LINEAR TECHNOLOGY HAS MADE A BEST EFFORT TO DESIGN A CIRCUIT THAT MEETS CUSTOMER-SUPPLIED SPECIFICATIONS; HOWEVER, IT REMAINS THE CUSTOMER'S RESPONSIBILITY TO VERIFY PROPER AND RELIABLE OPERATION IN THE ACTUAL APPLICATION. COMPONENT SUBSTITUTION AND PRINTED CIRCUIT BOARD LAYOUT MAY SIGNIFICANTLY AFFECT CIRCUIT PERFORMANCE OR RELIABILITY. CONTACT LINEAR TECHNOLOGY APPLICATIONS ENGINEERING FOR ASSISTANCE.		PCB DES.	NC		TITLE: SCHEMATIC AUTO-POLARITY, ULTRALOW VOLTAGE STEP-UP CONVERTER AND POWER MANAGER	
		APP ENG.	JAMES N.	SIZE	IC NO.	LTC3109EUF DEMO CIRCUIT 1664A
				N/A		
THIS CIRCUIT IS PROPRIETARY TO LINEAR TECHNOLOGY AND SUPPLIED FOR USE WITH LINEAR TECHNOLOGY PARTS.		SCALE = NONE		DATE:	Tuesday, June 01, 2010	SHEET 1 OF 1