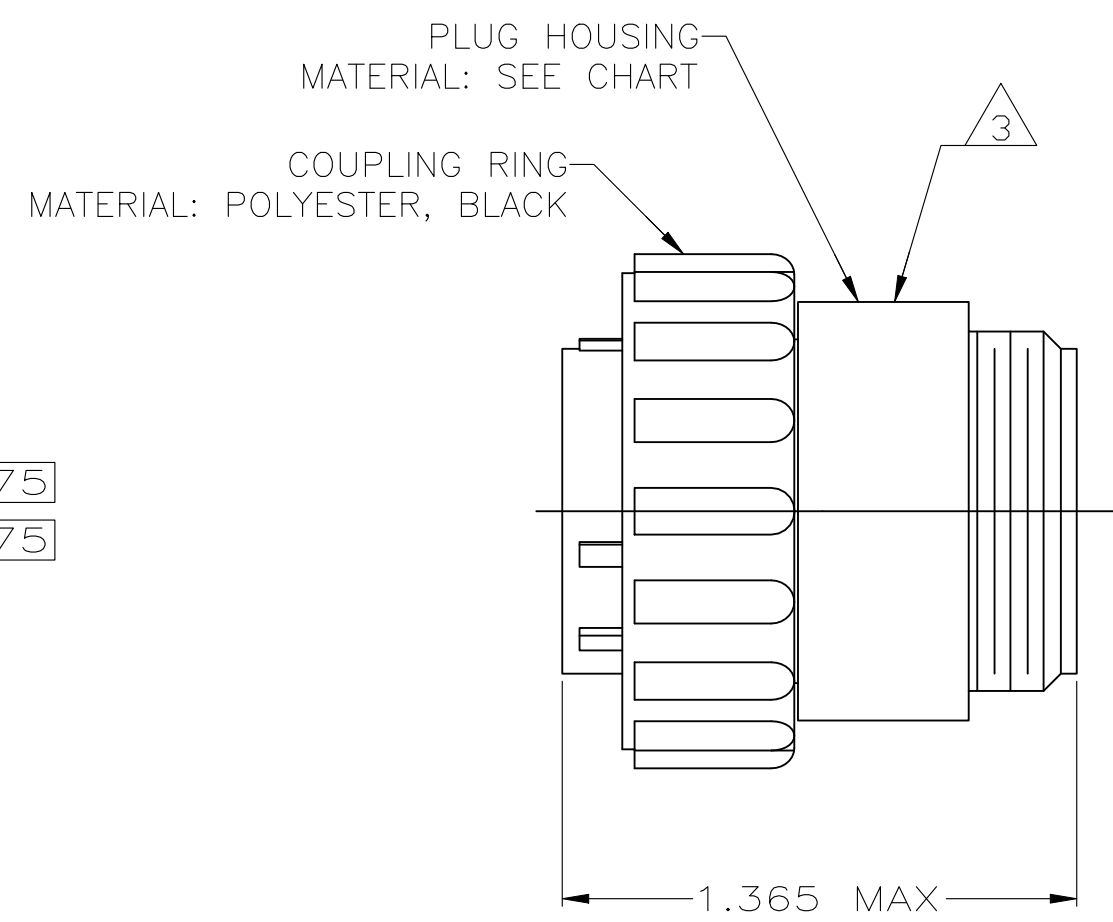
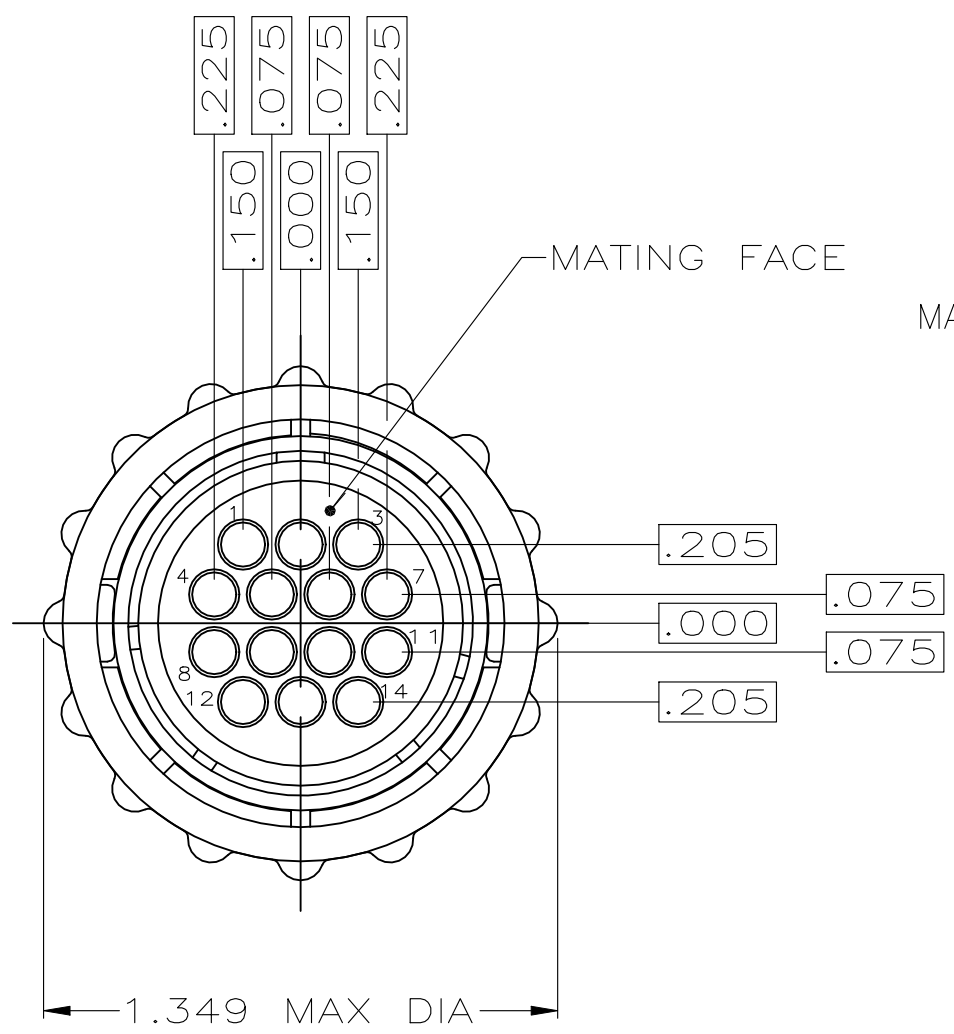


REVISIONS				
P	LTR	DESCRIPTION	DATE	APVD
	H1	REVISED PER ECN-23-199892	01MAR2023	RK MZ



POLYESTER, BLACK	206044-4
PA66, BLACK	206044-1
PLUG HOUSING MATERIAL	PART NUMBER

- CONTACT CAVITIES IDENTIFIED BY CHARACTERS ON FRONT AND REAR FACE OF CONNECTOR.
- WILL ACCEPT (14) MULTIMATE PIN CONTACTS.
- TE LOGO AND PART NUMBER 206044-1 LOCATED ANYWHERE ON THIS SURFACE

THIS DRAWING IS A CONTROLLED DOCUMENT.		DWN S.RIDGLEY 7/31/90 BG	<b>STE</b> TE Connectivity	
DIMENSIONS: INCHES		CHK R.STONE 04/26/91		
TOLERANCES UNLESS OTHERWISE SPECIFIED:		APVD K.BEAVER 04/30/91	NAME PLUG ASSEMBLY, SHELL SIZE 17, REVERSE SEX, CPC	
0 PLC ± -		PRODUCT SPEC -	APPLICATION SPEC -	
1 PLC ± -		WEIGHT -	SIZE A3	CAGE CODE 00779
2 PLC ± -		FINISH -	DRAWING NO C-206044	RESTRICTED TO -
3 PLC ± -			SCALE 2:1	SHEET 1 OF 1
4 PLC ± -		CUSTOMER DRAWING		
ANGLES ± -				
MATERIAL SEE CALLOUTS				