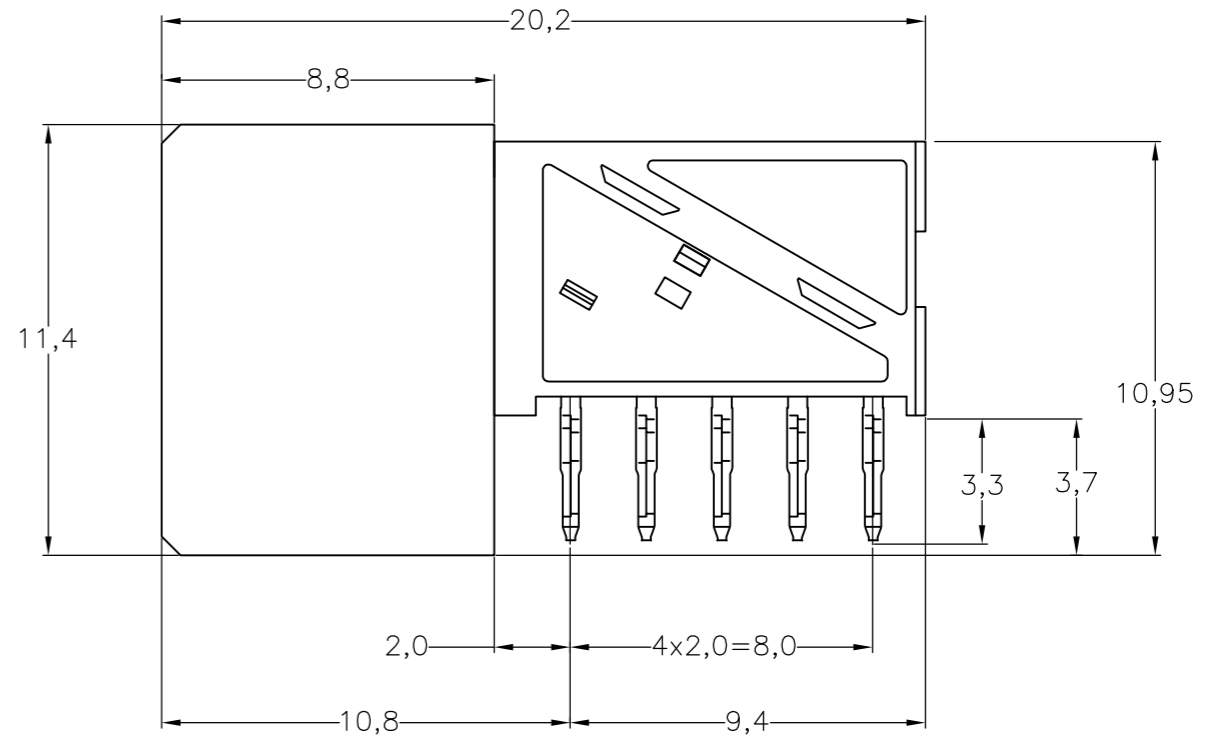
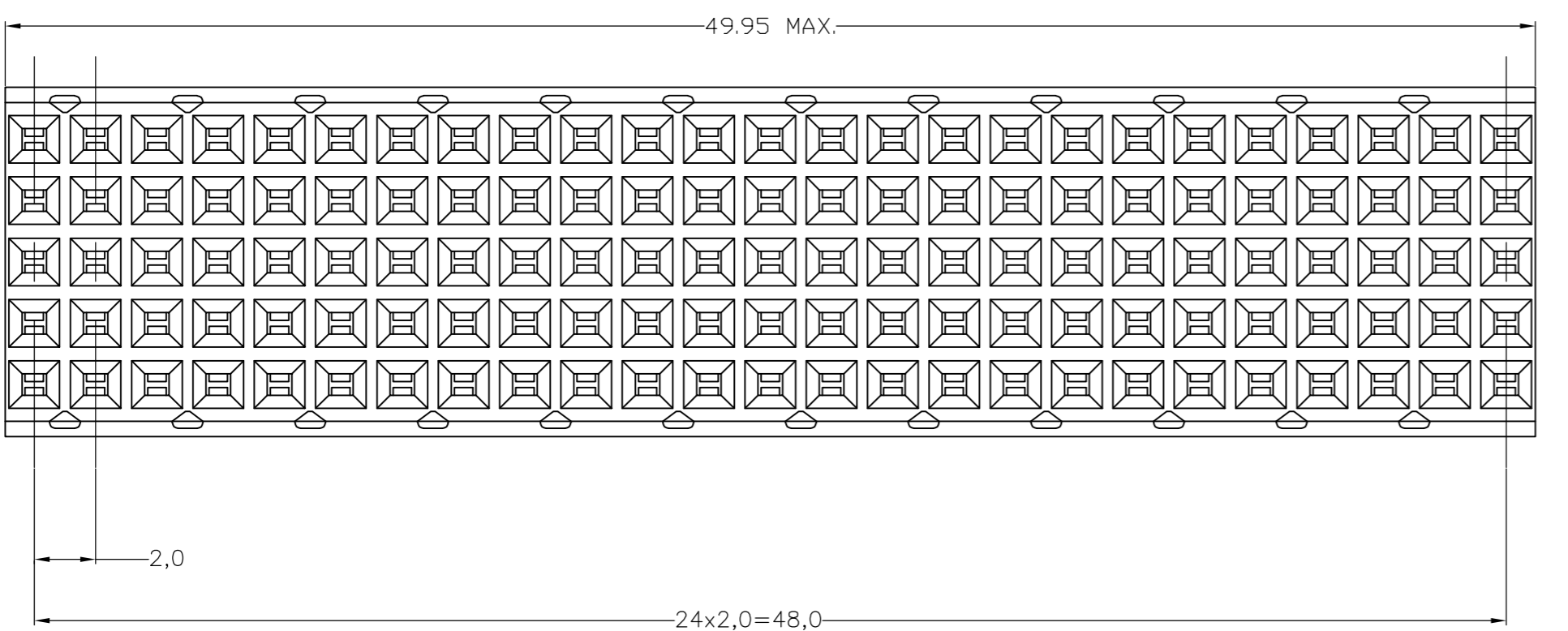
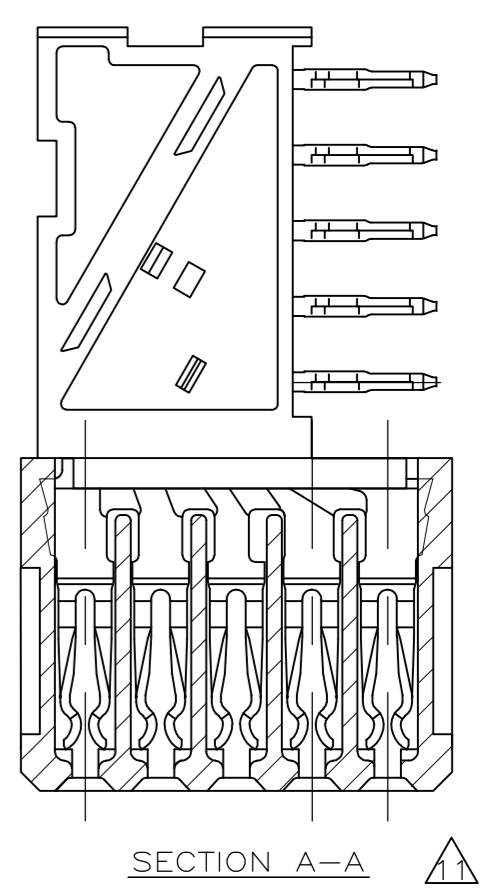
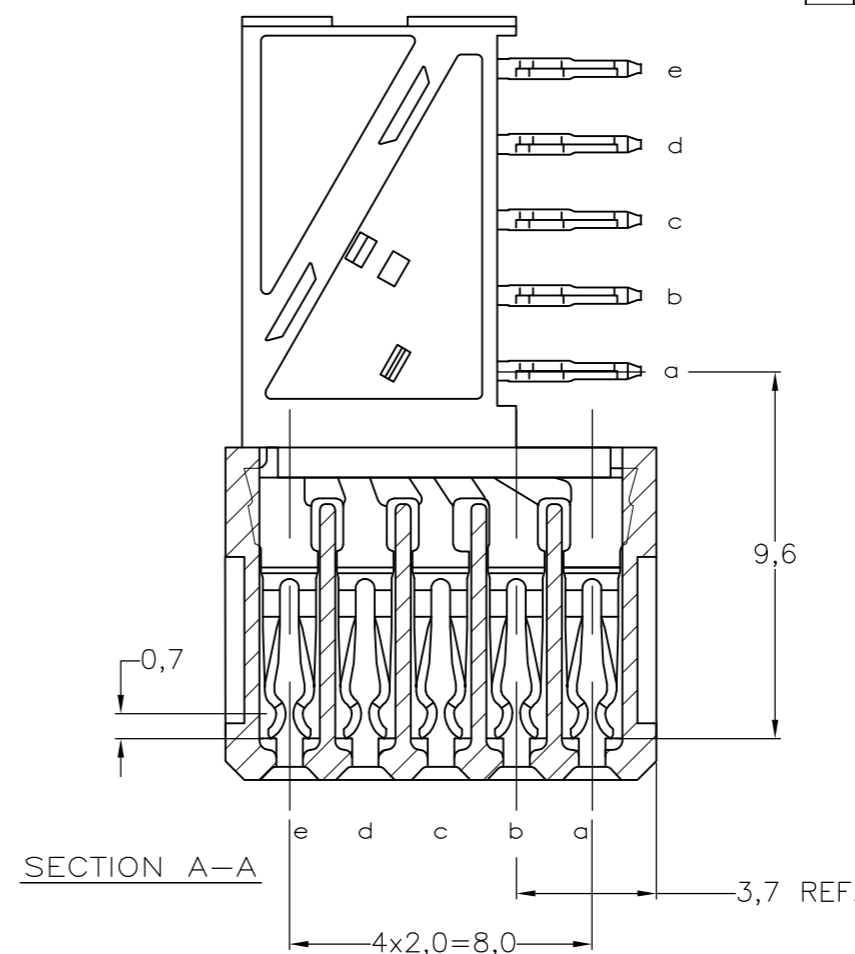
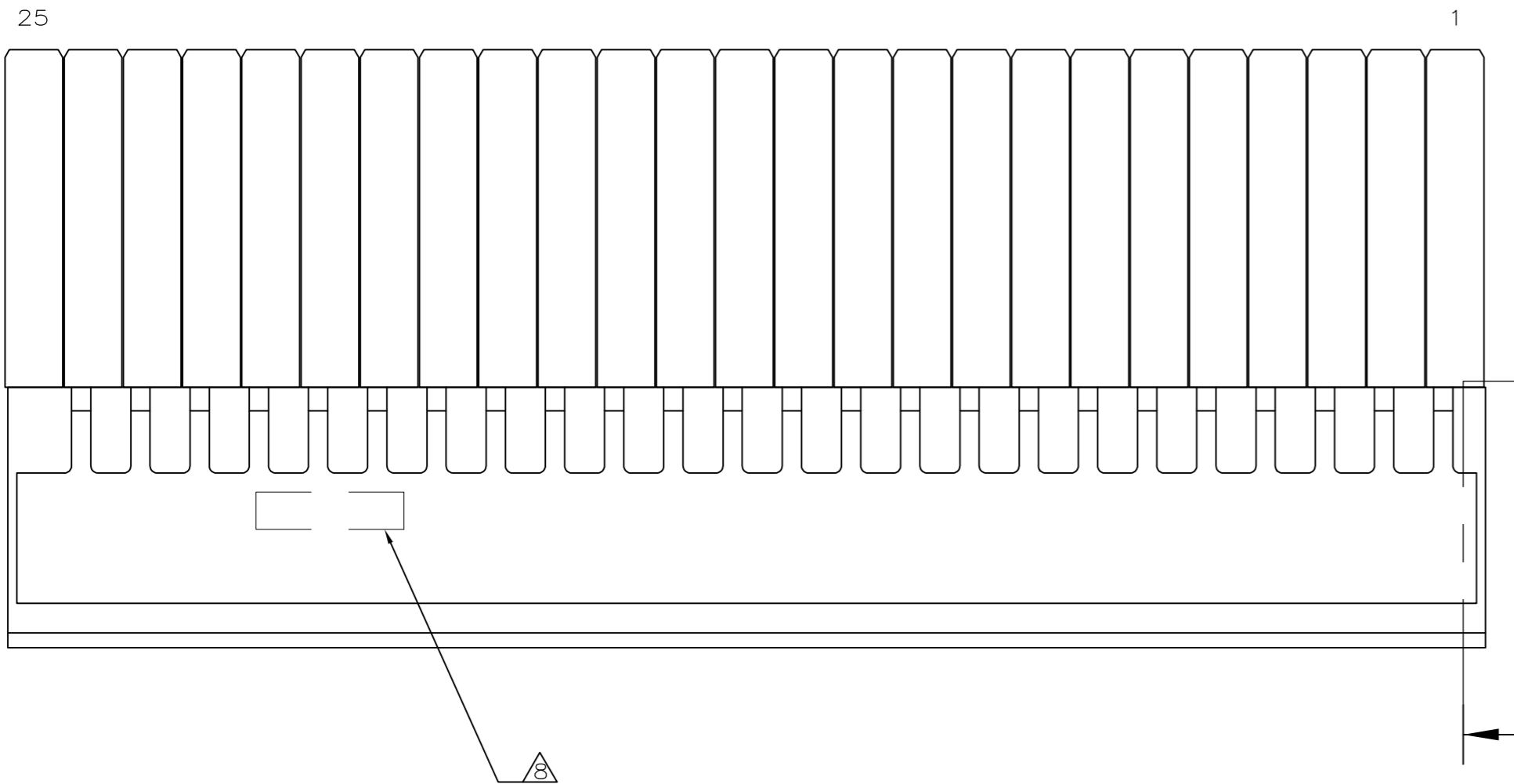
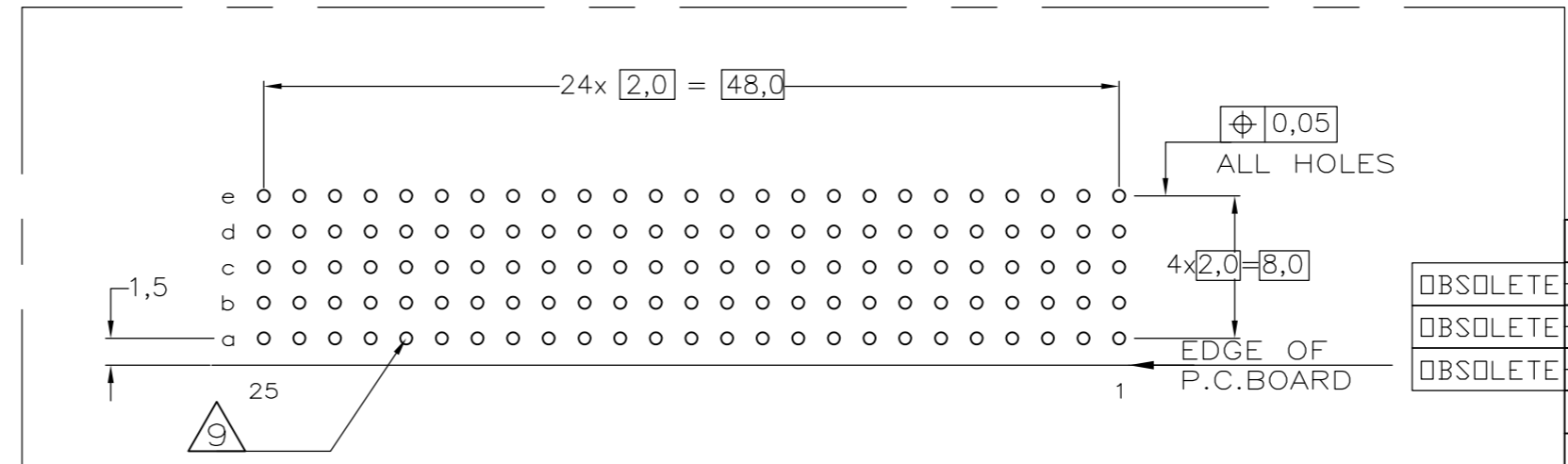


THIS DRAWING IS UNPUBLISHED. RELEASED FOR PUBLICATION
 © COPYRIGHT - By - ALL RIGHTS RESERVED.

REVISIONS				
P	LTR	DESCRIPTION	DATE	APVD
R		REVISED PER ECR-16-013249	07JUL2017	FL SY



- NOTES:**
- ▲ MATERIAL CONTACT; PHOSPHORBRONZE
MATERIAL HOUSING; GLASSFILLED POLYESTER (GRAY)
UL-RATING 94V0.
 - ▲ GENERAL PLATING SPECIFICATION: UNDERPLATING (ENTIRE CONTACT): 1,27µm NICKEL MIN.
AND ACTION PIN: 0,5µm TIN-LEAD MIN.
FOR PLATING OF MATING SURFACES SEE APPLICABLE SPECIFICATION REFERENCE FOR EACH DASH NUMBER.
 - ▲ CONFORMS TO ALL TESTING ACCORDING IEC 61076-4-101 PERFORMANCE LEVEL 2.
 - ▲ CONFORMS TO ALL TESTING ACCORDING IEC 61076-4-101 PERFORMANCE LEVEL 1.
 - ▲ CONNECTOR TESTED AND QUALIFIED AGAINST TELCORDIA GR-1217-CORE QUALITY LEVEL III, CENTRAL OFFICE APPLICATIONS.
 - ▲ CONNECTOR TESTED AND QUALIFIED AGAINST TELCORDIA GR-1217-CORE QUALITY LEVEL III, UNCONTROLLED ENVIRONMENT APPLICATIONS.
 - ▲ CONNECTOR LUBRICATED WITH TELCORDIA GR-1217-CORE APPROVED LUBRICANT.
 - ▲ CONNECTOR PRINTED WITH PARTNUMBER AND DATECODE
THE MARKING CAN APPEAR ON THE FRONT SIDE OR ON THE BACK SIDE.
 - ▲ PLATED-THROUGH HOLES AT 2x2mm SQUARE GRID. 125 HOLES
 - 10. FITS WITH INTEGRATED GROUND RETURN UPSHIELD, BASIC P.N. 338109
AND INTEGRATED GROUND RETURN LOWERSHIELD, BASIC P.N. 338110
 - ▲ CONNECTOR ASSEMBLED WITH REDESIGNED CONTACTS.
CONTACTS HAVE A CORING-OUT IN THE PLASTIC.
 - ▲ 0,76µm MIN GOLD PLATING AT MATING SURFACES.



SCALE 2,5:1
 COMPONENT SIDE AS SHOWN
 RECOMMENDED PCB-HOLE LAY-OUT

P.C.B. HOLE DIM. ACTION PIN
 FOR DETAILS SEE
 APPLICATION SPECIFICATION

THIS DRAWING IS A CONTROLLED DOCUMENT.		DWN D.TRUREN 20JAN97	TE Connectivity	
DIMENSIONS: mm		CHK W.V.D.HEIJDEN 20JAN97	Z-PACK 2mm HM TYPE B 125 POS. FEMALE CONNECTOR	
TOLERANCES UNLESS OTHERWISE SPECIFIED:		APVD B. MOOIJ	NAME	
0 PLC ± -		PRODUCT SPEC	108-19082	
1 PLC ± -		APPLICATION SPEC	114-19029	
2 PLC ± -		WEIGHT	0.000000	
3 PLC ± -		SIZE	A2	
4 PLC ± -		CAGE CODE	00779	
ANGLES ± -		DRAWING NO	C=100145	
FINISH		RESTRICTED TO	-	
MATERIAL		SCALE	NTS	
-		SHEET	1 of 1	
-		REV	R	