

## 3-W STEREO AUDIO POWER AMPLIFIER WITH ADVANCED DC VOLUME CONTROL

### FEATURES

- **3 W Into 16 Ω From 12-V Supply**
- **Volume Control for Speakers (BTL) and Headphones (SE)**
- **Differential Inputs**
- **Depop Circuitry**
- **1 μA Shutdown Current**
- **Surface-Mount Package**

### APPLICATIONS

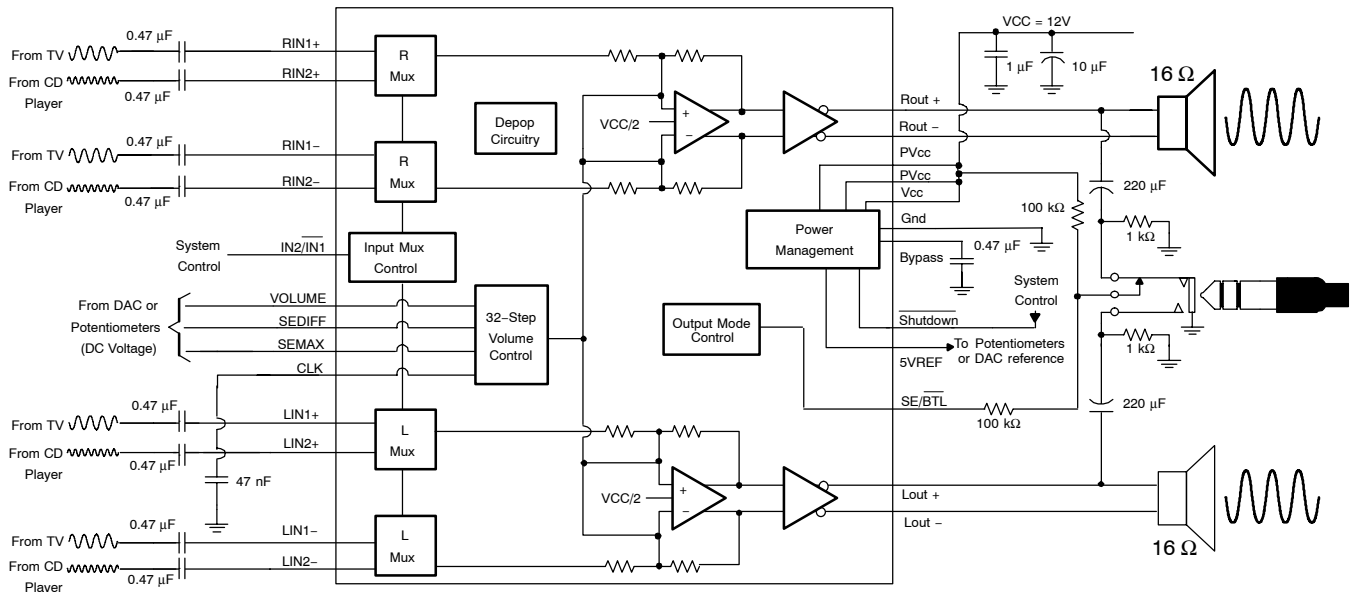
- **LCD Monitors and LCD TVs**
- **Multimedia Speakers**
- **Notebook Computers**

### DESCRIPTION

The TPA6030A4 is designed to drive 3 W into 16-Ω speakers using a surface-mount package without the need for an external heatsink. These features make it ideal for 15"–17" LCD monitors, small multimedia speakers, and notebook computers.

To simplify system design, the speaker volume level is adjusted by applying a dc voltage to the VOLUME terminal. The delta between speaker volume and headphone volume can be adjusted by applying a dc voltage to the SEDIFF terminal. To avoid an unexpected high volume level through the headphones, a third terminal, SEMAX, limits the headphone volume level when a dc voltage is applied. Integrated depop circuitry and the fully differential design minimize pops, clicks, and unwanted noise to provide a high level of audio performance.

The device is available in a 28-pin TSSOP PowerPAD™ package. The PowerPAD™ package is designed to transfer heat into the ground plane, eliminating the need for external heat sinks—minimizing solution cost and size.



Please be aware that an important notice concerning availability, standard warranty, and use in critical applications of Texas Instruments semiconductor products and disclaimers thereto appears at the end of this data sheet.

PowerPAD is a trademark of Texas Instruments.

# TPA6030A4

SLOS395B – DECEMBER 2002 – REVISED JANUARY 2005



These devices have limited built-in ESD protection. The leads should be shorted together or the device placed in conductive foam during storage or handling to prevent electrostatic damage to the MOS gates.

### CAUTION:

During normal operation, shorting the outputs together, to ground, or to  $V_{CC}$  may cause permanent damage to the device.

## ORDERING INFORMATION

SPECIFIED TEMPERATURE RANGE	PACKAGE DEVICE TSSOP (PWP)
-40°C to 85°C	TPA6030A4PWP

(1) The PWP package is available taped and reeled. To order a taped and reeled part, add the suffix R to the part number (e.g., TPA6030A4PWPR).

## PACKAGE DISSIPATION RATINGS

PACKAGE	$T_A \leq 25^\circ\text{C}$ POWER RATING	DERATING FACTOR ABOVE $T_A = 25^\circ\text{C}$	$T_A = 70^\circ\text{C}$ POWER RATING	$T_A = 85^\circ\text{C}$ POWER RATING
PWP	4.47W <sup>(1)</sup>	35.8 mW/°C	2.86 W	2.32 W

(1) The PowerPAD must be soldered to a thermal land on the printed-circuit board. Refer to the Texas Instruments document, *PowerPAD Thermally Enhanced Package Application Report* (literature number SLMA002) for more information on the PowerPAD package. The thermal data was measured on a PCB layout based on the information in the section entitled *Texas Instruments Recommended Board for PowerPAD* on page 33 of the before mentioned document.

## ABSOLUTE MAXIMUM RATINGS

over operating free-air temperature range unless otherwise noted<sup>(1)</sup>

	TPA6030A4
Supply voltage, $V_{CC}$ , $PV_{CC}$	-0.3 V to 15 V
IN2, IN1 Input voltage, $V_I$	-0.3 V to $V_{CC} + 0.3\text{V}$
Continuous total power dissipation	See Dissipation Rating Table
Operating free-air temperature range, $T_A$	-40°C to 85°C
Operating junction temperature range, $T_J$	-40°C to 150°C
Storage temperature range, $T_{stg}$	-65°C to 85°C
Lead temperature 1,6 mm (1/16 inch) from case for 10 seconds	260°C

(1) Stresses beyond those listed under “absolute maximum ratings” may cause permanent damage to the device. These are stress ratings only, and functional operation of the device at these or any other conditions beyond those indicated under “recommended operating conditions” is not implied. Exposure to absolute-maximum-rated conditions for extended periods may affect device reliability.

## RECOMMENDED OPERATING CONDITIONS

		MIN	MAX	UNIT
Supply voltage, $PV_{CC}$ , $V_{CC}$		7	15	V
High input voltage, $V_{IH}$	SE/BTL, IN2/IN1	$0.8V_{CC}$	$V_{CC}$	V
	SHUTDOWN	2	$V_{CC}$	
Low input voltage, $V_{IL}$	SE/BTL, IN2/IN1	0	$0.5V_{CC}$	V
	SHUTDOWN	0	0.8	
Operating free-air temperature, $T_A$		-40	85	°C

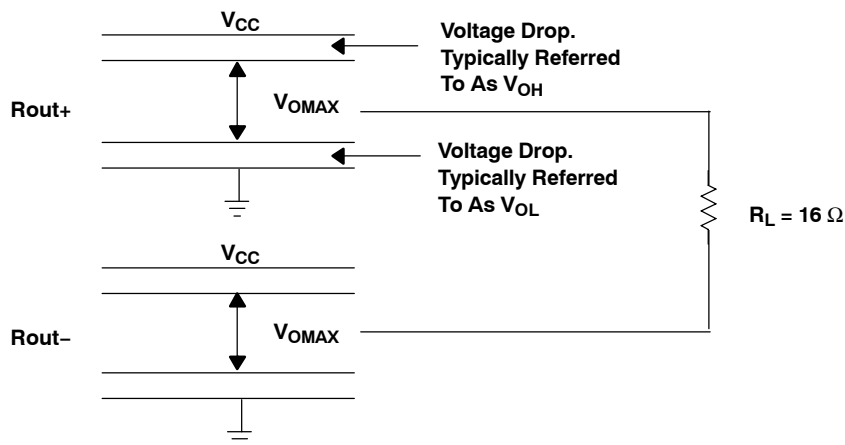
## ELECTRICAL CHARACTERISTICS

T<sub>A</sub> = 25°C, V<sub>CC</sub> = PV<sub>CC</sub> = 12 V, unless otherwise noted

PARAMETER		TEST CONDITIONS		MIN	TYP	MAX	UNIT
V <sub>OS</sub>	Output offset	Volume = 36 dB, SE/BTL = 0 V	Out+ to Out-		10	55	mV
			Out+ to V <sub>(BYPASS)</sub>		10	105	
			Out- to V <sub>(BYPASS)</sub>		10	105	
PSRR	Power supply rejection ratio	V <sub>CC</sub> = PV <sub>CC</sub> = 12 V to 15 V		-42	-60		dB
I <sub>IH</sub>	High-level input current	SE/BTL, IN2/IN1	V <sub>CC</sub> = 15 V, V <sub>I</sub> = V <sub>CC</sub>			1	μA
		SHUTDOWN,	V <sub>CC</sub> = 15 V, V <sub>I</sub> = 12 V			3	
I <sub>IL</sub>	Low-level input current	SE/BTL, IN2/IN1	V <sub>CC</sub> = 15 V, V <sub>I</sub> = 0			1	μA
		SHUTDOWN,	V <sub>CC</sub> = 15 V, V <sub>I</sub> = 0			1	
I <sub>CC</sub>	Supply current	No load, SHUTDOWN = 2 V	SE/BTL = 0 V, V <sub>CC</sub> = 7 V to 15 V		18	26	mA
			SE/BTL = V <sub>CC</sub> , V <sub>CC</sub> = 7 V to 15 V		11	16	
	Supply current, full clipping at outputs, stereo operation	R <sub>L</sub> = 16 Ω,	SE/BTL = 0 V, SHUTDOWN = V <sub>CC</sub>		1.2		A
I <sub>CC(SD)</sub>	Supply current, shutdown mode	No Load,	V <sub>CC</sub> = 15 V, SHUTDOWN = 0.8 V		1	3	μA
5VREF		V <sub>CC</sub> = 7 V to 15 V, R <sub>L</sub> = 16-Ω stereo, Pin floating		4.4	4.7	5.5	V
V <sub>OMAX</sub>	DC maximum output voltage swing per output(1)	R <sub>L</sub> = 16 Ω, VOLUME = 5VREF, IN+ = (V <sub>CC</sub> / 2) - 1 V and IN- = (V <sub>CC</sub> / 2) + 1 V OR IN+ = (V <sub>CC</sub> / 2) + 1 V and IN- = (V <sub>CC</sub> / 2) - 1 V	V <sub>CC</sub> = 7 V		4.4		V <sub>PP</sub>
			V <sub>CC</sub> = 12 V	7.6	8.4	9.3	
			V <sub>CC</sub> = 15 V		9.8		

(1) See diagram below

### DC MAXIMUM OUTPUT VOLTAGE SWING PER CHANNEL



# TPA6030A4

SLOS395B – DECEMBER 2002 – REVISED JANUARY 2005

## OPERATING CHARACTERISTICS

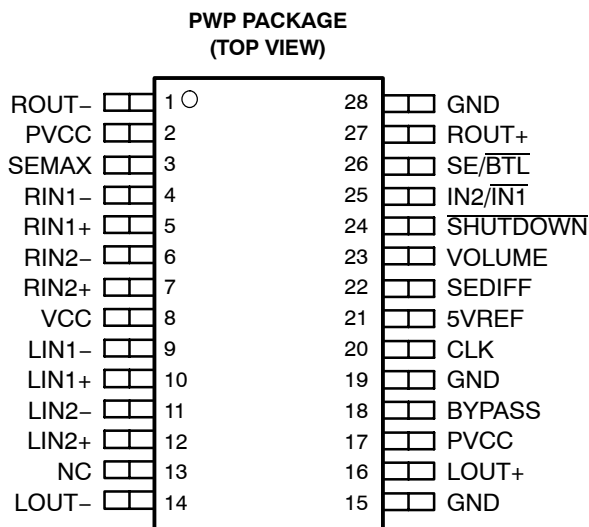
$T_A = 25^\circ\text{C}$ ,  $R_L = 16 \Omega$ , Volume = 8.13 dB, unless otherwise noted<sup>3</sup>

PARAMETER		TEST CONDITIONS		MIN	TYP	MAX	UNIT
$P_O$	Output power	$V_{CC} = 12 \text{ V}$	THD=1%, $f = 1 \text{ kHz}$		2.2		W
			THD=10%, $f = 1 \text{ kHz}$		3		
		$V_{CC} = 15 \text{ V}$	THD=1%, $f = 1 \text{ kHz}$		4 <sup>(1,2)</sup>		
			THD=10%, $f = 1 \text{ kHz}$		5 <sup>(1,2)</sup>		
THD+N	Total harmonic distortion plus noise	$P_O = 1 \text{ W}$ ,	$f = 20 \text{ Hz to } 20 \text{ kHz}$		0.1%		
$B_{OM}$	Maximum output power bandwidth	THD+N < 10%	$V_{CC} = 7 \text{ V to } 15 \text{ V}$		20		kHz
$k_{SVR}$	Supply ripple rejection ratio	$f = 20 \text{ Hz} - 20 \text{ kHz}$ , $C_{(BYPASS)} = 1 \mu\text{F}$ , $V_{(ripple)} = 100 \text{ mV}_{rms}$ , BTL	$V_{CC} = 7 \text{ V}$		-58		dB
			$V_{CC} = 12 \text{ V}$		-60		
			$V_{CC} = 15 \text{ V}$		-60		
Xtalk	Channel to channel output separation	$f = 1 \text{ kHz}$ , BTL,	Volume = 0.53 dB		-110		dB
SNR	Signal-to-noise ratio	$f = 20 \text{ Hz to } 20 \text{ kHz}$ , BTL, Inputs ac grounded, THD+N = 0.5%, $P_O = 2.35 \text{ W}$	Volume = 0.53 dB		102.5		dBV
			Volume = 36 dB		83		
	Attenuation, input to output in shutdown mode		SE, $f = 20 \text{ Hz} - 20 \text{ kHz}$ , $R_L = 32 \Omega$ , Volume = 30 dB		73		dB
			BTL, $f = 20 \text{ Hz} - 20 \text{ kHz}$ , $R_L = 16 \Omega$ , Volume = 36 dB		110		

<sup>(1)</sup> At  $T_A = 25^\circ\text{C}$ , a derating factor of 48 mW/ $^\circ\text{C}$  is necessary in order for the device to function properly in this configuration.

<sup>(2)</sup> If used on a board with a layout set forth on page 33 of the *PowerPAD Thermally Enhanced Package Application Report* (literature number SLMA002) to achieve a derating factor of 35.8mW/ $^\circ\text{C}$ , it is possible to operate the device at these output power levels so long as it is in a mono, BTL configuration.

**PIN ASSIGNMENTS**



NC – No internal connection

**Terminal Functions**

TERMINAL NAME	NO.	I/O	DESCRIPTION
5VREF	21	O	Internal 5-V reference for VOLUME, SEDIFF, and SEMAX pins ONLY
BYPASS	18	I	Connect capacitor to ground for BYPASS midrail voltage supply filtering
CLK	20	I	Connect capacitor to ground to set clock frequency of volume control counter
GND	15, 19, 28	I	Ground
IN2/IN1	25	I	Controls input MUX, high selects IN2 inputs, low selects IN1 inputs
LIN1-	9	I	Left negative differential input, selected when IN2/IN1 is held low
LIN1+	10	I	Left positive differential input, selected when IN2/IN1 is held low
LIN2-	11	I	Left negative differential input, selected when IN2/IN1 is held high
LIN2+	12	I	Left positive differential input, selected when IN2/IN1 is held high
LOUT-	14	O	Left negative output in speaker mode and high impedance in headphone mode
LOUT+	16	I	Left positive output in speaker mode, and positive output in headphone mode
NC	13		No internal connection
PVCC	2,17	I	Power supply for the output stage
RIN1-	4	I	Right negative differential input, selected when IN2/IN1 is held low
RIN1+	5	I	Right positive differential input, selected when IN2/IN1 is held low
RIN2-	6	I	Right negative differential input, selected when IN2/IN1 is held high
RIN2+	7	I	Right positive differential input, selected when IN2/IN1 is held high
ROUT+	27	O	Right positive output in speaker mode, and positive output in headphone mode
ROUT-	1	O	Right negative output in speaker mode (BTL) and high impedance in headphone mode (SE)
SE/BTL	26	I	Determines output mode, high selects headphone mode (SE), low selects speaker mode (BTL)
SEDIFF	22	I	Sets the difference between speaker and headphone volume (from -6 dB down to mute)
SEMAX	3	I	Sets maximum headphone volume. DC range is 0 to 5VREF
SHUTDOWN	24	I	Shutdown terminal (active low, TTL compatible, V <sub>CC</sub> compliant)
VCC	8	I	Supply voltage terminal
VOLUME	23	I	Master volume control. DC voltage range is 0 to 5VREF
THERMAL PAD	-	-	Connect to ground. The thermal pad must be soldered down in all applications to properly secure the device on the PC board. Properly soldering the thermal pad to the PC board is necessary for achieving the required heat transfer for device cooling.

**VOLUME CONTROL**

Table 1 shows the functionality of the 32-step volume control. The voltage difference between trip levels is 2.66% of 5VREF, and the difference between gain steps is 2.53 dB.

**Table 1. Volume Control**  
(V<sub>CC</sub> = 12 V, No Load, SEDIFF = 0 V, SEMAX = 5VREF)

VOLTAGE ON VOLUME PIN AS A PERCENTAGE OF 5VREF	SPEAKER VOLUME (dB)	HEADPHONE VOLUME (dB)
0–10	–80.00	–86.00
10–12.6	–40.00	–46.00
12.6–15.2	–37.47	–43.47
15.2–18	–34.93	–40.93
18–20.6	–32.40	–38.40
20.6–23.4	–29.87	–35.87
23.4–26	–27.33	–33.33
26–28.6	–24.80	–30.80
28.6–31.4	–22.27	–28.27
31.4–34	–19.73	–25.73
34–36.6	–17.20	–23.20
36.6–39.4	–14.67	–20.67
39.4–42	–12.13	–18.13
42–44.6	–9.60	–15.60
44.6–47.2	–7.07	–13.07
47.2–50	–4.53	–10.53
50–52.6	–2.00	–8.00
52.6–55.4	0.53	–5.47
55.4–58	3.07	–2.93
58–60.6	5.60	–0.40
60.6–63.4	8.13	2.13
63.4–66	10.67	4.67
66–68.6	13.20	7.20
68.6–71.4	15.73	9.73
71.4–74	18.27	12.27
74–76.6	20.80	14.80
76.6–79.4	23.33	17.33
79.4–82	25.87	19.87
82–84.6	28.40	22.40
84.6–87.4	30.93	24.93
87.4–90	33.47	27.47
90–100	36.00	30.00

Refer to the section entitled Volume Control Description in the Application Information section of this data sheet for more details regarding the use of the volume control.

The volume in single-ended (SE) mode is determined by the following equation:

$SE\ Volume = \min [(VOLUME - SEDIFF) \text{ or } (SEMAX)] - 6\ dB$ , where VOLUME is the voltage (expressed in terms of %VREF) applied to the VOLUME pin, SEDIFF is the voltage (%VREF) applied to the SEDIFF pin, and SEMAX is the voltage (%VREF) applied to the SEMAX pin. The SE Volume control is integrated into the 32-step volume control. A block diagram of the SE Volume control portion is shown in Figure 1.

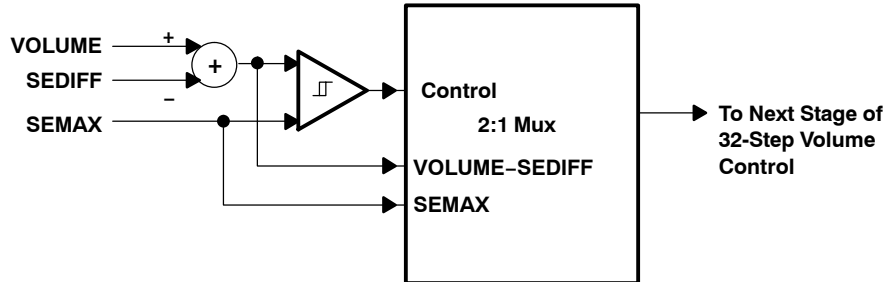


Figure 1. Block Diagram of the SE Volume Control

Refer to the section entitled Volume Control Description in the Application Information section of this data sheet for more details regarding the use of the volume control.

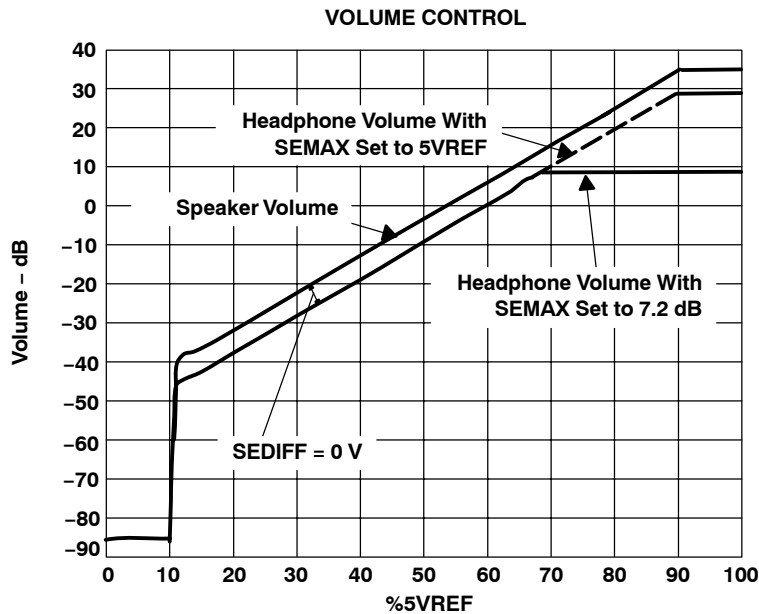


Figure 2. Speakers (BTL) and Headphones (SE) Volume vs %5VREF

Figure 2 illustrates the functionality of the TPA6030A4 volume control. As the voltage applied to the VOLUME control pin is increased, the volume increases.

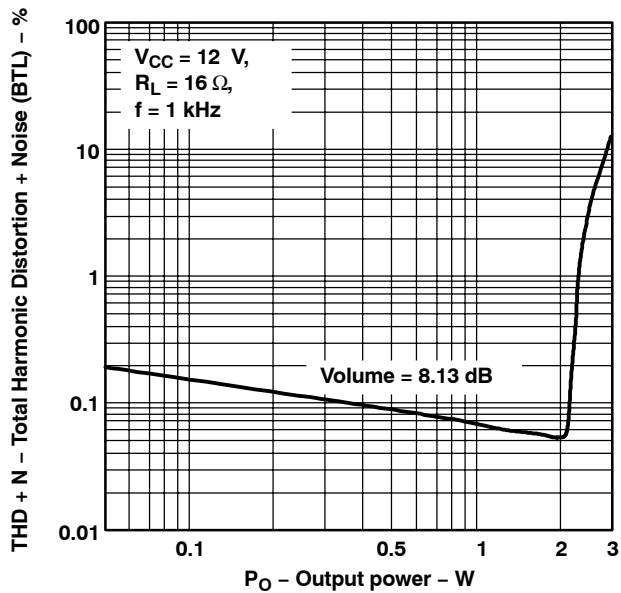
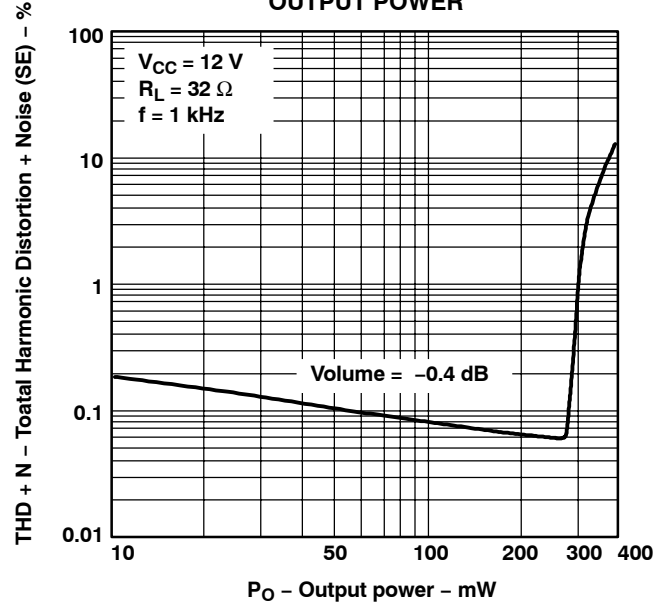
Increasing the voltage on the SEDIFF pin increases the delta in volume between speaker (BTL) and headphone (SE) volume from a minimum of 6 dB to a maximum reduction in headphone volume, resulting in mute.

The SEMAX input limits the maximum output level in headphone mode. The dashed line shows operation with SEMAX set to 5VREF, which results in maximum output in headphone mode. The horizontal line in Figure 2 shows operation with SEDIFF set to 0V, and SEMAX set to 67.3% of 5VREF, for a maximum volume in headphone mode of 7.2 dB.

Neither SEMAX nor SEDIFF have any affect on the volume in speaker mode.

**TYPICAL CHARACTERISTICS**
**TABLE OF GRAPHS**

		FIGURE
THD+N	Total harmonic distortion plus noise (BTL)	3
		5
THD+N	Total harmonic distortion plus noise (SE)	4
		6
Crosstalk (BTL)		7
CMRR	Common mode rejection ratio	8
		9
Closed loop response (BTL)		10
$P_D$	Power dissipation	11
$R_i$	Input resistance	12
$R_L$	Recommended load impedance	13

**TOTAL HARMONIC DISTORTION + NOISE (BTL)  
vs  
OUTPUT POWER**

**Figure 3**
**TOTAL HARMONIC DISTORTION + NOISE (SE)  
vs  
OUTPUT POWER**

**Figure 4**



TOTAL HARMONIC DISTORTION + NOISE (BTL)  
vs  
FREQUENCY

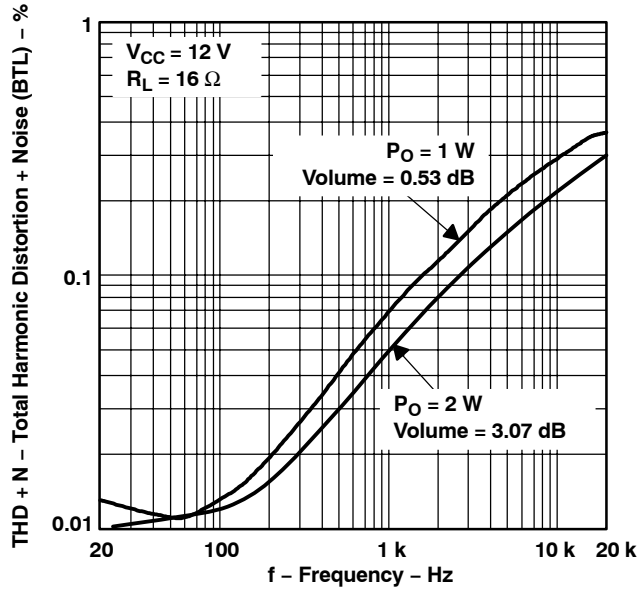


Figure 5

TOTAL HARMONIC DISTORTION + NOISE (SE)  
vs  
FREQUENCY

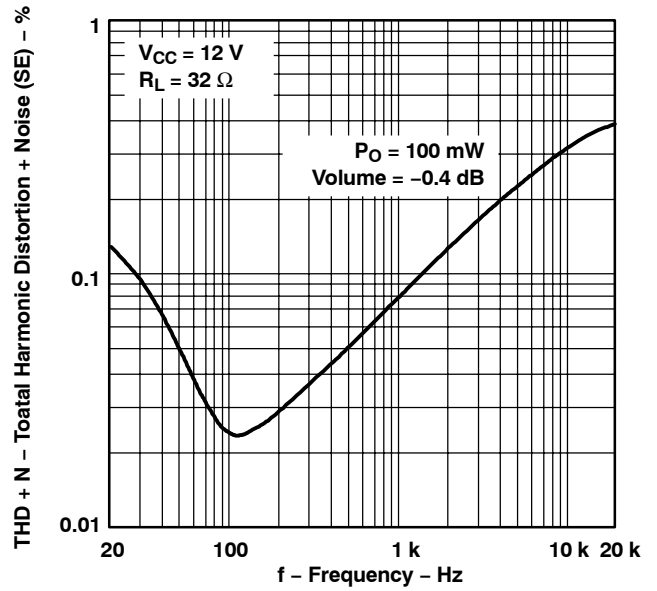


Figure 6

CROSSTALK (BTL)  
vs  
FREQUENCY

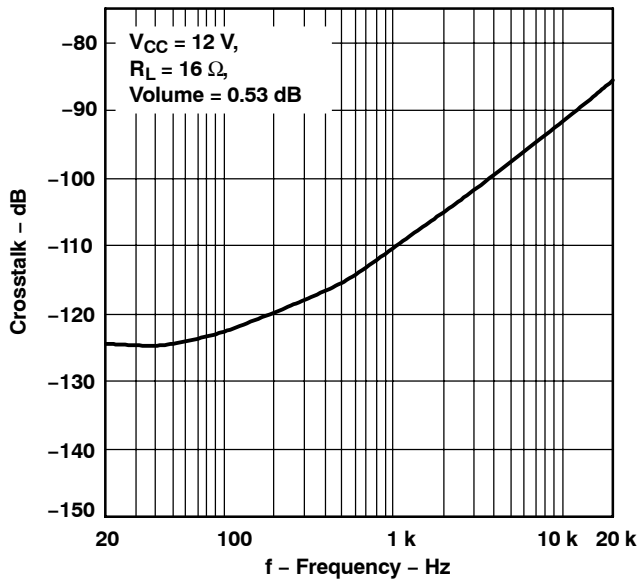


Figure 7

COMMON-MODE REJECTION RATIO  
vs  
FREQUENCY

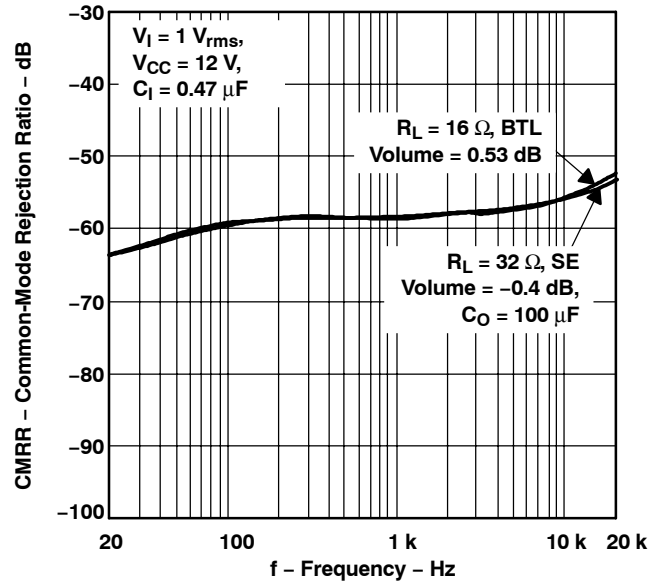


Figure 8

TPA6030A4

SLOS395B – DECEMBER 2002 – REVISED JANUARY 2005

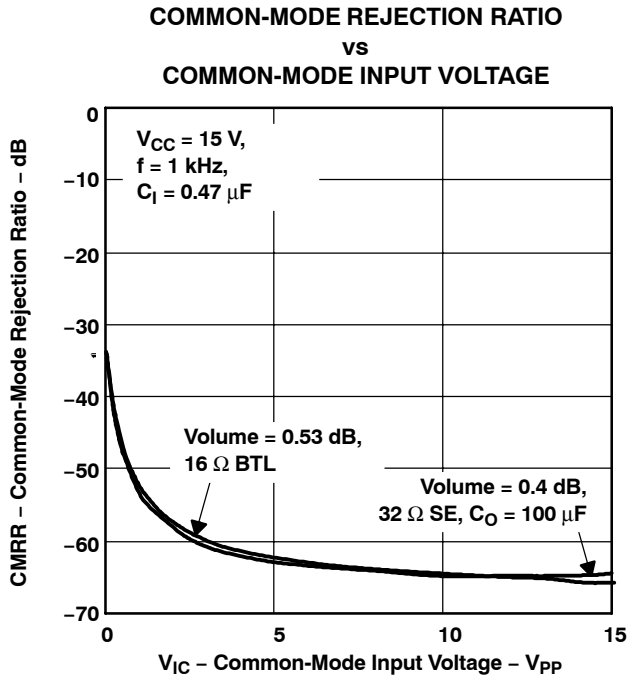


Figure 9

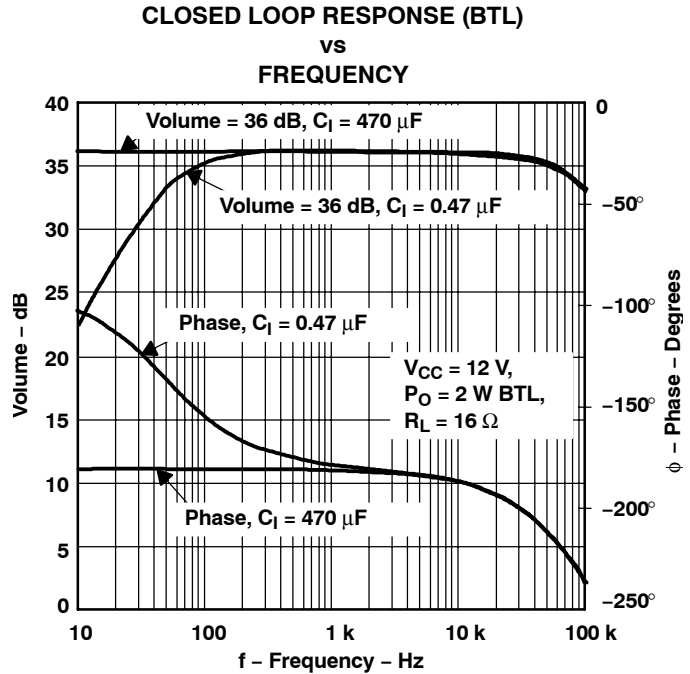


Figure 10

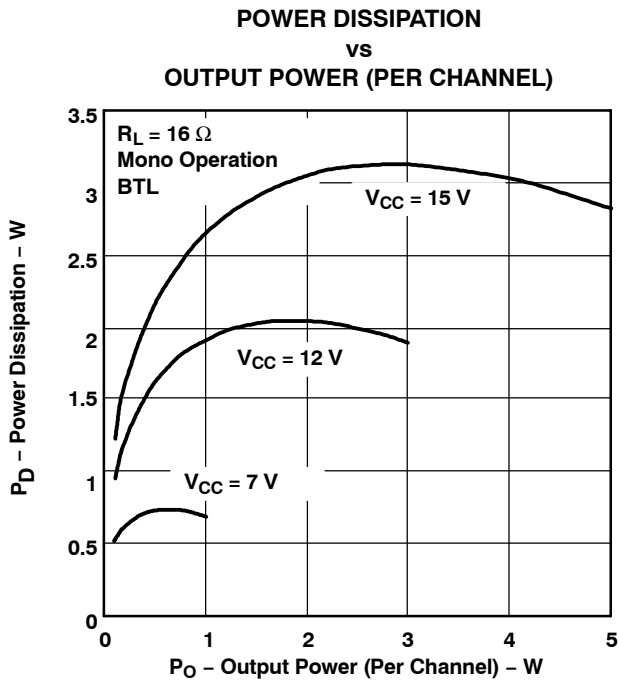


Figure 11

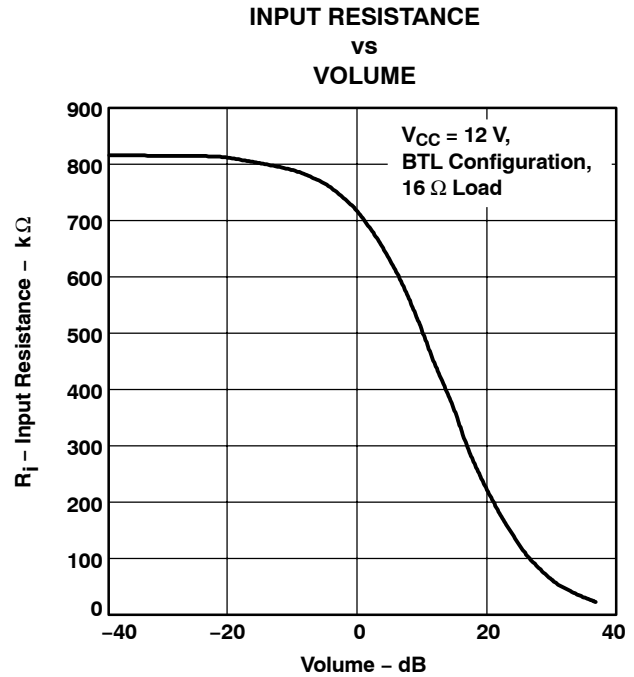


Figure 12

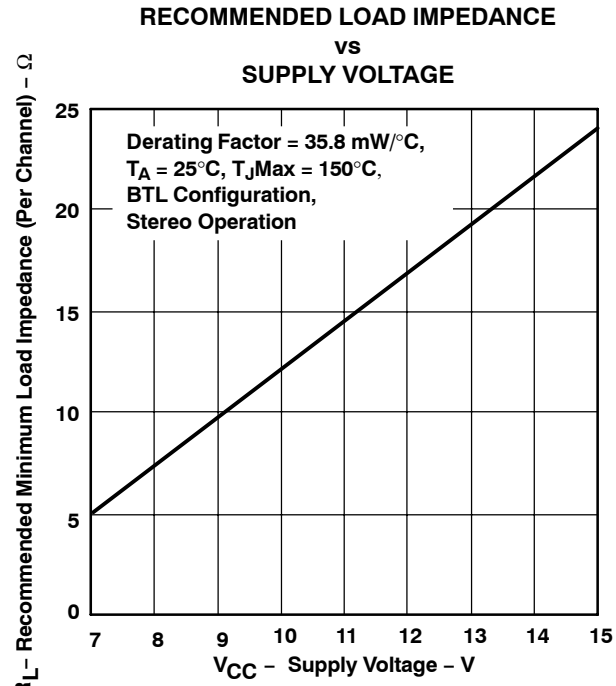


Figure 13

## APPLICATION INFORMATION

### VOLUME, SEDIFF, AND SEMAX OPERATION

The three pins labeled VOLUME, SEDIFF, and SEMAX control the speaker (BTL) volume (VOLUME pin only) and the headphone (SE) volume. All three of these pins are controlled with a dc voltage. These voltages are a percentage of the voltage on the 5VREF pin. The 5VREF pin sources up to 5 mA when  $V_{CC} = 12\text{ V}$ . It is specifically designed to be a reference voltage supply for the volume control that can be used with analog-to-digital converters (ADCs), resistor divider networks, and potentiometers.

When driving in BTL mode, the VOLUME pin is the only pin that controls the volume. Table 1 shows the different volumes and the corresponding voltages applied to the VOLUME pin. When driving in SE mode, all three pins can be used to control the volume. Table 2 shows the different headphone volumes and the corresponding voltages applied to each pin.

The TPA6030A4 allows the user to specify a difference between the BTL volume and the SE volume. This is desirable because it allows the user to avoid any listening discomfort when plugging in headphones. The volume in headphone mode is proportional to that in speaker mode, and is no less than 6 dB lower (refer to the section labeled *bridge-tied load versus single-ended load* for an explanation).

The SEDIFF and SEMAX pins control the difference in volume between speaker and headphone modes. As the voltage on the SEDIFF pin is increased, the difference between the BTL and SE volumes is also increased. Applying a lower voltage on the SEDIFF pin decreases the volume difference. So, for example, if the speaker volume was set to 36 dB, and SEMAX was set to 5VREF, one could vary SEDIFF to get a headphone volume from as much as 30 dB to as little as –86 dB, or mute.

The SEMAX pin can be used to set the maximum possible headphone volume. The greater the voltage applied to this pin, the higher the maximum volume. If the voltage reaches 5VREF, any volume level set by the VOLUME and SEDIFF pins passes on through to the headphones. Should the voltage on SEMAX go to 0 V, the headphones would be muted, regardless of what voltage is applied to the VOLUME and SEDIFF pins. The level set by the SEMAX pin does not affect headphone volumes below that maximum level. Table 2 shows examples of how these pins interact with each other.

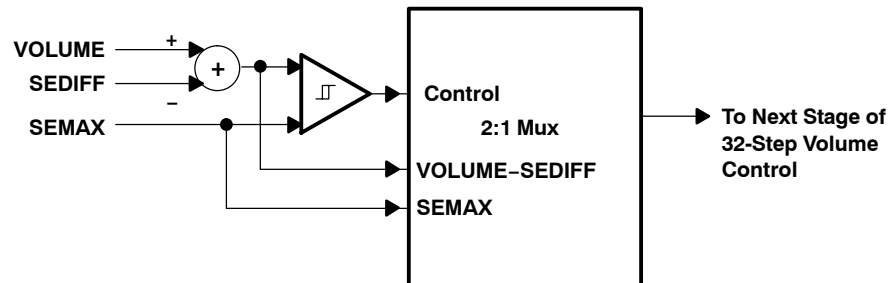


Figure 14. Block Diagram of the SE Volume Control

Table 2. Assorted Headphone and Speaker Volume Configurations

MODE	VOLTAGE ON VOLUME PIN (%5VREF)	VOLTAGE ON SEDIFF PIN (%5VREF)	VOLTAGE ON SEMAX PIN (%5VREF)	HEADPHONE VOLUME dB	SPEAKER VOLUME dB
HP	100	0	100	30	N/A
HP	0	0	100	–86	N/A
HP	100	100	0	–86	N/A
HP	60	0	100	2.13	N/A
HP	100	40	40	–18.13	N/A
HP	100	40	80	2.13	N/A
Speaker	60	0	100	N/A	8.13
Speaker	100	X	X	N/A	36
Speaker	0	X	X	N/A	–80

X = Don't care

## CLOCK PIN

The TPA6030A4 has an internal clock whose frequency is controlled by the value of an external capacitor on pin 20. The relationship between the capacitor and the clock frequency is seen in Figure 15.

The clock plays a pivotal role in the functionality of the TPA6030A4. It determines how quickly the volume can change. When a voltage is applied to the VOLUME pin (or in SE mode, the SEDIFF or SEMAX pins as well), it causes a change in volume. The volume does not change instantaneously. It moves one step for every sixteen clock cycles. For example, if the volume is initially at 36 dB in BTL mode, and then a voltage is applied to the VOLUME pin to set the volume to 0.53 dB, the volume decreases by 14 steps. With a 47-nF capacitor connected to the clock pin, the clock frequency is 390 Hz. The time it takes for the volume to reach the desired level is 574 ms. See equation 1.

$$\text{Total time} = \# \text{ of Volume Steps} \left( \frac{16}{\text{Clock Frequency}} \right) \quad (1)$$

Figure 16 demonstrates how the volume changes with respect to the clock cycles, and how the frequency of the clock affects the time necessary for each step. The triangular waveform is the voltage on the clock pin, and in this case, the clock frequency is 390 Hz. Each volume step takes 41 ms, which is consistent with equation 1.

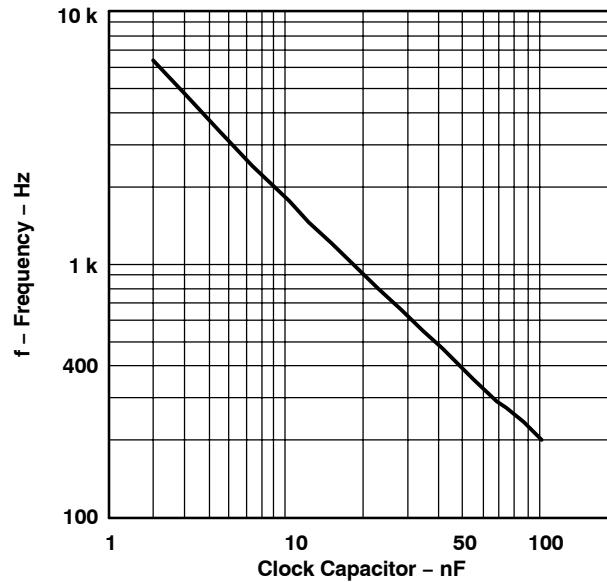


Figure 15. Clock Frequency vs Capacitance on Clock Pin

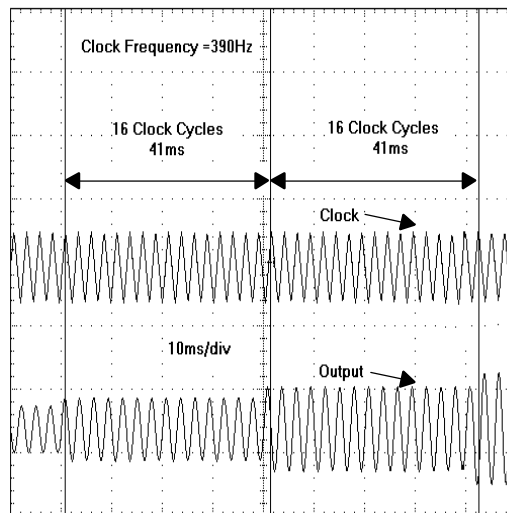


Figure 16. How the Volume Changes With Respect to the Clock

# TPA6030A4

SLOS395B – DECEMBER 2002 – REVISED JANUARY 2005

## SHUTDOWN

The shutdown function of the TPA6030A4 is designed to bring all the outputs and the BYPASS pin to dc ground. The output transistors are turned off, and the current consumption of the device drops to less than 3  $\mu$ A.

In order for the part to go into shutdown, the  $\overline{\text{SHUTDOWN}}$  pin must be held at a logic low (0.8 V to 0 V). Once the  $\overline{\text{SHUTDOWN}}$  pin is held at a logic low, the volume must ramp down to mute. The device goes through each volume step until the output is muted. That is why it takes longer for the device to shut down at higher volume levels (see Figures 17, 18, and 21). The device has to go through more steps. Once the volume is muted, the dc voltage of the outputs go to ground. The time it takes for this stage of the shutdown process is proportional to the size of the BYPASS capacitor. The smaller the capacitor, the more quickly the device shuts down. See Figure 21. However, making the BYPASS capacitor too small likely results in unwanted *pop*. The recommended range of values are between 0.1  $\mu$ F to 1  $\mu$ F.

The start-up time, however, is not dependent upon the volume level. Figures 19 and 20 show that the start-up time for the TPA6030A4 is not dependent upon the volume level. When the  $\overline{\text{SHUTDOWN}}$  pin is held at a logic high (2 V to  $V_{CC}$ ), the dc level of the outputs begin to increase. At the same time, the volume control is ramping up until it reaches the desired volume level.

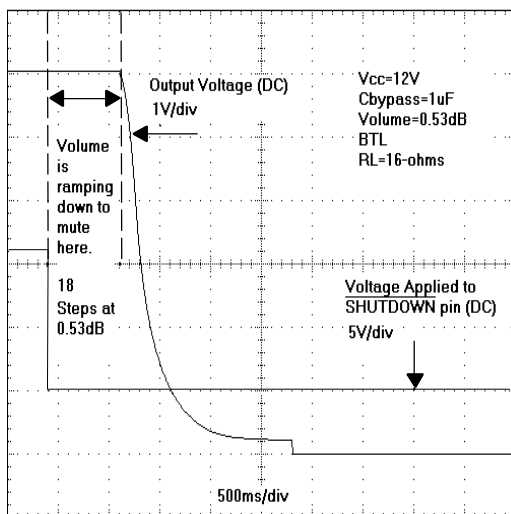


Figure 17. Shutdown Curve When the Volume = 0.53 dB

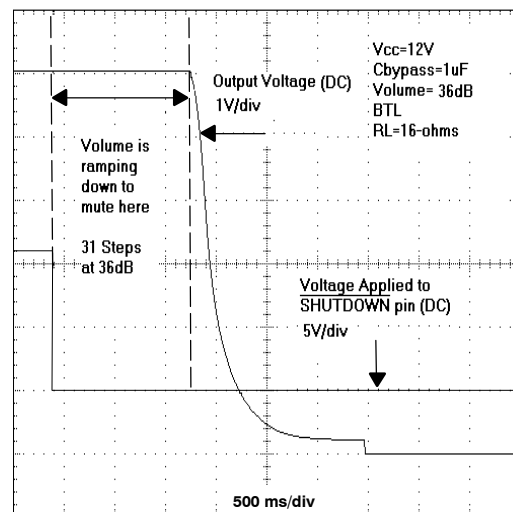


Figure 18. Shutdown Curve When the Volume = 36 dB

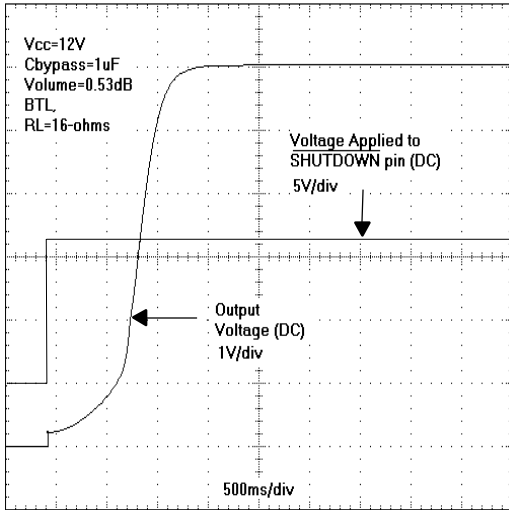


Figure 19. Start-Up Curve When the Volume = 0.53 dB

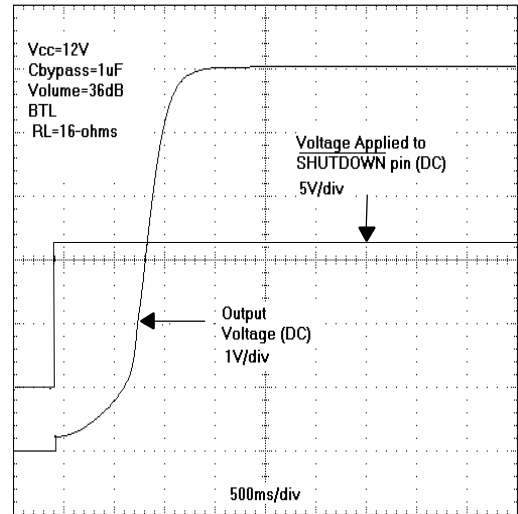


Figure 20. Start-Up Curve When the Volume = 36 dB

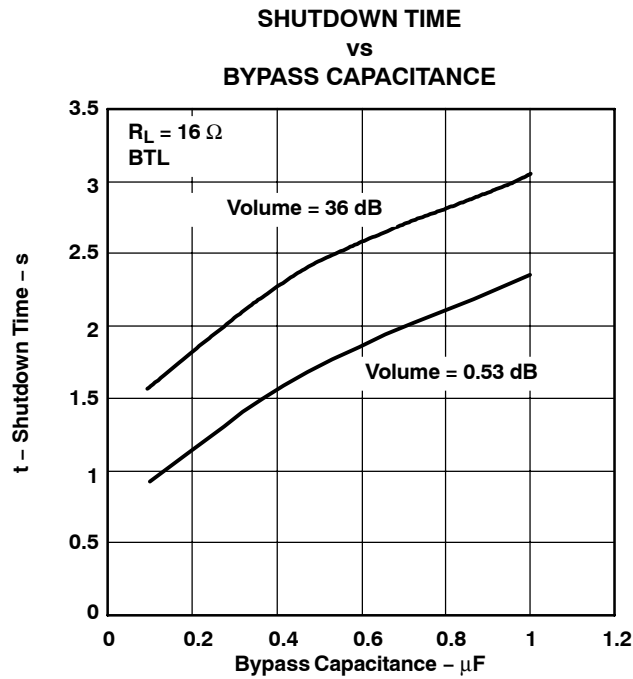


Figure 21. Shutdown Time vs Bypass Capacitance

# TPA6030A4

SLOS395B – DECEMBER 2002 – REVISED JANUARY 2005

## APPLICATION CIRCUIT

Application circuit using the TPA6030A4 in an LCD monitor with headphone outputs and volume control.

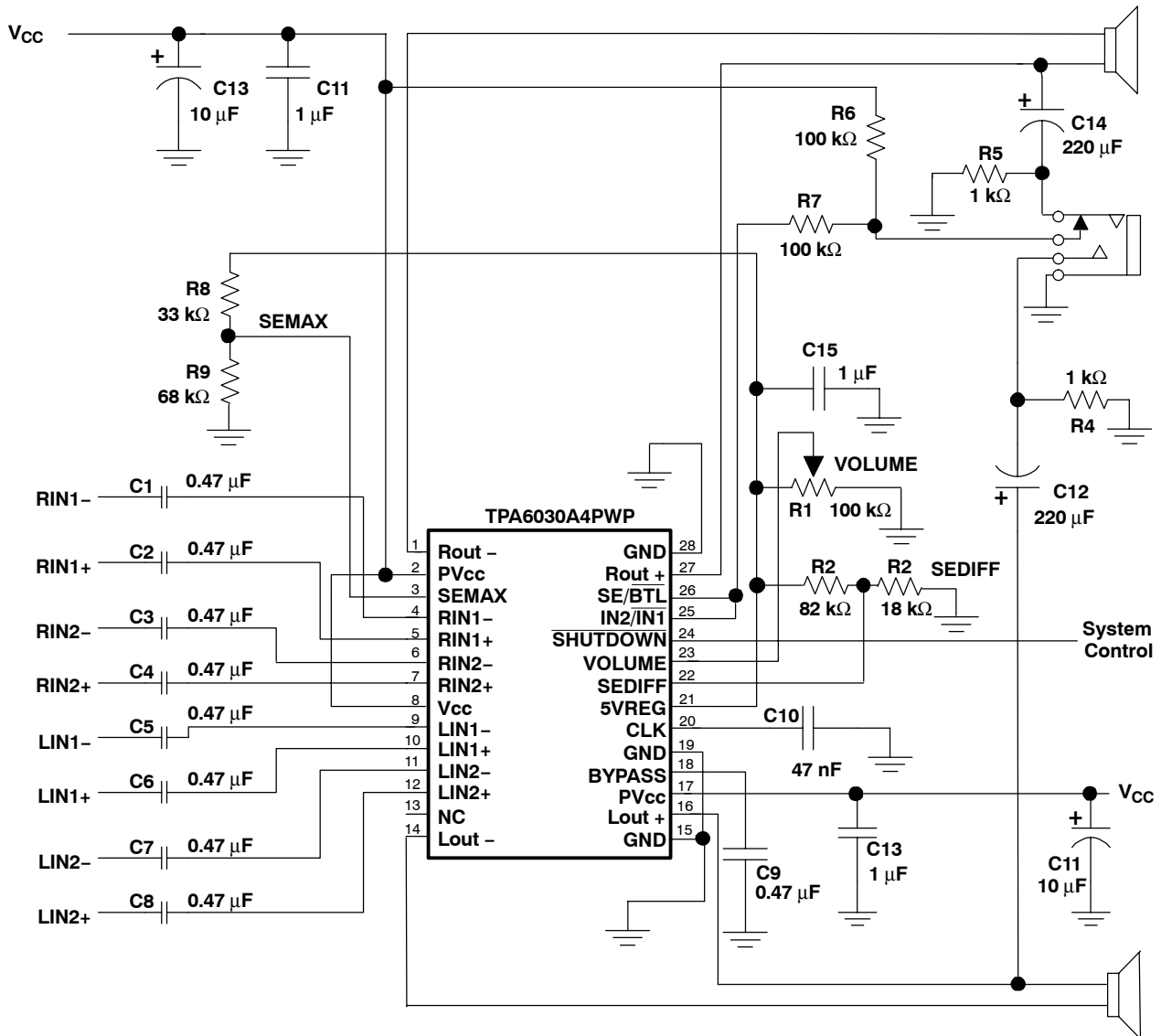


Figure 22. Typical Application Circuit for an LCD Monitor

### Volume Control Description

The circuit shown in Figure 22 automatically switches between headphone outputs and speaker outputs when a headphone plug is inserted or removed from the headphone jack. Additionally, this circuit uses resistor divider networks to limit the headphone volume. Resistors R8 and R9 form a divider network that applies 67% of 5VREF to the SEMAX pin, which results in a maximum output of 7.2 dB. Resistors R2 and R3 form a divider network that applies 18% of 5VREF to the SEDIFF pin.



The effect of the resistor dividers can be observed when the output is switched from speaker to headphone mode. If the voltage on the volume pin is greater than 85% of 5VREF, the resistor divider network around SEMAX limits the headphone volume to 7.2 dB. If the voltage on the VOLUME pin falls below 85% of 5VREF, SEDIFF limits the headphone volume to 13.6 dB less than the speaker volume. To convert a percentage of 5VREF to volume in dB, refer to the column in Table 1 labeled %5VREF, and find the corresponding speaker volume. That value can then be substituted into the following equations for VOLUME, SEDIFF, or SEMAX. It is important, however, to find the minimum based on the %5VREF *before* converting to dB.

$$\text{SE Volume} = \min [(VOLUME - SEDIFF) \text{ or } (SEMAX)] - 6 \text{ dB} \quad (2)$$

When the voltage on the VOLUME pin is > 85% of 5VREF, or at 90% of 5VREF for example, the headphone volume is determined by the following equation:

$$\begin{aligned} \text{SE Volume} &= \min [(90\%5VREF - 18\%5VREF) \text{ or } (67\%5VREF)] - 6 \text{ dB} = \\ &67\%5VREF - 6 \text{ dB} = 13.2 \text{ dB} - 6 \text{ dB} = 7.2 \text{ dB} \end{aligned} \quad (3)$$

When the voltage on the VOLUME pin is < 85% of 5VREF, or at 50% of 5VREF for example, the headphone volume is determined by the following equation:

$$\begin{aligned} \text{SE volume} &= \min [(50\%5VREF - 18\%5VREF) \text{ or } (67\%5VREF)] - 6 \text{ dB} = \\ &32\%5VREF - 6 \text{ dB} = -19.73 \text{ dB} - 6 \text{ dB} = -25.73 \text{ dB} \end{aligned} \quad (4)$$

When the voltage on the VOLUME pin = 85% of 5VREF, both SEMAX and SEDIFF have the same affect on the headphone volume.

$$\begin{aligned} \text{SE Volume} &= \min [(85\%5VREF - 18\%5VREF) \text{ or } (67\%5VREF)] - 6 \text{ dB} = \\ &67\%5VREF - 6 \text{ dB} = 13.2 \text{ dB} - 6 \text{ dB} = 7.2 \text{ dB} \end{aligned} \quad (5)$$

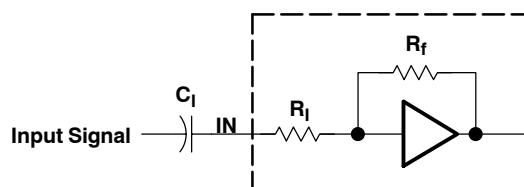
-46 dB is the lowest the SE volume can go without going into mute. So, for example, if the end calculation for the SE volume was -50 dB, the actual volume would be mute.

It is important to note that the evaluation module (EVM) for the TPA6030A4, SLOP365, does not have fixed resistors for setting the voltages on the VOLUME, SEDIFF, and SEMAX pins. It has potentiometers in place of the resistor divider networks for added flexibility. Potentiometers may be used in an application as well.

Another method of controlling the voltage on the SEDIFF and SEMAX pins would be to apply the voltage with an external controller, using 5VREF as a reference voltage.

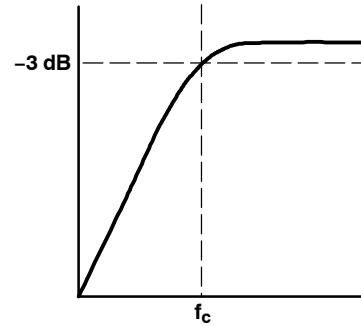
### Input Capacitor, C<sub>I</sub>

The input capacitor allows the amplifier to bias the input signal to the proper dc level for proper operation. In this case, the input capacitor, C<sub>I</sub>, and the input impedance of the amplifier, R<sub>I</sub>, form a high-pass filter with the corner frequency determined in equation 6. Figure 23 shows how the input capacitor and the input resistor within the amplifier interact.



**Figure 23. Input Resistor and Input Capacitor**

$$f_{c(\text{highpass})} = \frac{1}{2\pi R_I C_I} \quad (6)$$



The value of  $C_I$  is important to consider as it directly affects the low frequency, or bass, performance of the circuit. Furthermore, the input impedance changes with a change in volume. The higher the volume, the lower the input impedance. To determine the appropriate capacitor value, reconfigure equation 6 into equation 7. The value of the input resistor,  $R_I$ , can be determined from Figure 12.

$$C_I = \frac{1}{2\pi R_I f_c} \quad (7)$$

Low leakage tantalum or ceramic capacitors are recommended. When polarized capacitors are used, the positive side of the capacitor should face the amplifier input in most applications as the dc level there is held at  $V_{CC}/2$ , which is likely higher than the source dc level. Note that it is important to confirm the capacitor polarity in each specific application. Recommended capacitor values are between 0.1  $\mu\text{F}$  and 1  $\mu\text{F}$ .

### Power Supply Decoupling, $C_S$

The TPA6030A4 is a high-performance audio amplifier that requires adequate power supply decoupling to ensure the output total harmonic distortion (THD) is as low as possible. Power supply decoupling also prevents oscillations for long lead lengths between the amplifier and the speaker. The optimum decoupling is achieved by using two capacitors of different types to reduce different types of noise on the power supply leads. For higher frequency transients, spikes, or digital noise on the power supply, a good low equivalent-series-resistance (ESR) ceramic capacitor, typically 0.1  $\mu\text{F}$ , should be placed as close as possible to the device  $V_{CC}$  pin. For filtering lower frequency noise signals, a larger aluminum electrolytic capacitor of 10  $\mu\text{F}$  or greater should be placed near the audio power amplifier.

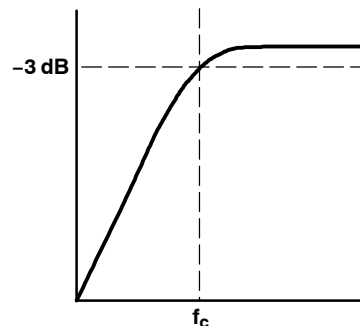
### Midrail Bypass Capacitor, $C_{(\text{BYPASS})}$

The midrail bypass capacitor,  $C_{(\text{BYPASS})}$ , has several important functions. During start-up or recovery from shutdown mode,  $C_{(\text{BYPASS})}$  determines the rate at which the amplifier starts up.  $C_{(\text{BYPASS})}$  also reduces noise coupled into the output signal by the power supply. Generally, ceramic or tantalum low-ESR capacitors with values ranging from 0.1  $\mu\text{F}$  to 1.0  $\mu\text{F}$  are recommended for the best THD and noise performance.

### Output Coupling Capacitor, $C_C$

In a typical single-supply SE configuration, an output coupling capacitor,  $C_C$ , is required to block the dc bias at the output of the amplifier, thus preventing dc currents from flowing through the load. This in turn reduces the current draw of the amplifier significantly. As with the input coupling capacitor, the output coupling capacitor and impedance of the load form a high pass filter governed by equation 8.

$$f_{c(\text{highpass})} = \frac{1}{2\pi R_L C_C} \quad (8)$$



Large values of  $C_C$  are required to pass low frequencies to the load. Consider an example where  $C_C$  is 220  $\mu\text{F}$ , and the load varies from 16  $\Omega$ , 32  $\Omega$ , 10 k $\Omega$ , and 47 k $\Omega$ . Table 3 summarizes the frequency response characteristics of each of the preceding configurations.

**Table 3. Load Impedances vs Low Frequency Characteristics in SE Mode**

$R_L$ ( $\Omega$ )	$C_C$ ( $\mu\text{F}$ )	LOWEST FREQUENCY (Hz)
16	220	45
32	220	23
10k	220	0.07
47k	220	0.015

### Using Low-ESR Capacitors

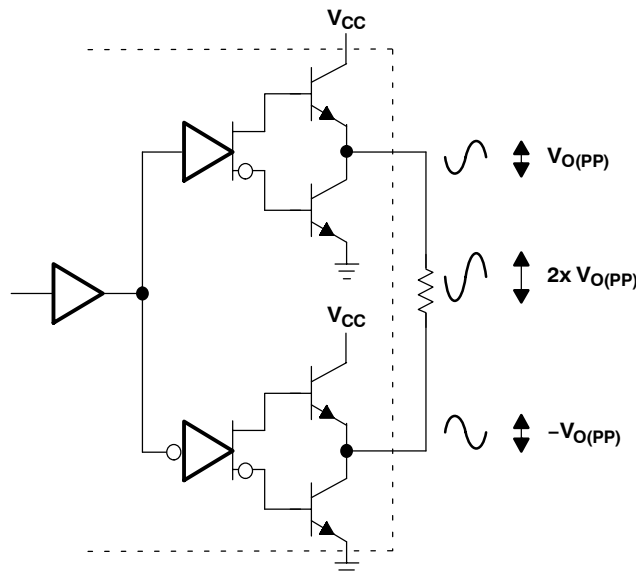
Low-ESR capacitors are recommended throughout this applications section. A real (as opposed to ideal) capacitor can be modeled simply as a resistor in series with an ideal capacitor. The voltage drop across the resistor minimizes the beneficial effects of the capacitor in the circuit. The lower the equivalent value of this resistance, the more the real capacitor behaves like an ideal capacitor.

### Bridge-Tied Load Versus Single-Ended Mode

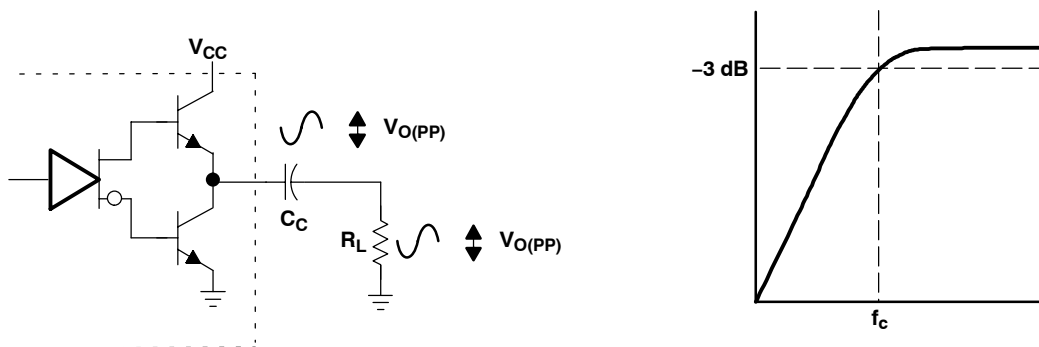
Figure 24 shows a Class-AB audio power amplifier (APA) in a bridge-tied-load (BTL) configuration. The TPA6030A4 amplifier consists of two Class-AB differential amplifiers driving both the positive and negative terminals of the load (per channel). Specifically, differential drive means that as one side amplifier (the positive terminal, for example) is slewing up, the other side is slewing down, and vice versa. This doubles the voltage swing across the load as opposed to a ground-referenced load, or a single-ended load. Power is proportional to the square of the voltage. Plugging  $2 \times V_{O(PP)}$  into the power equation yields 4X the output power from the same supply rail and load impedance as would have been obtained with a ground referenced load (see equation 9).

$$V_{(RMS)} = \frac{V_{O(PP)}}{2\sqrt{2}} \tag{9}$$

$$\text{Power} = \frac{V_{(RMS)}^2}{R_L}$$



**Figure 24. Bridge-Tied-Load Configuration**



**Figure 25. Single-Ended Configuration and Frequency Response**

Bridge-tying the outputs in a typical computer audio, or LCD TV or multimedia LCD monitor application drastically increases output power. For example, if an amplifier in a single-ended configuration was capable of outputting a maximum of 250 mW for a given load with a supply voltage of 12 V, then that same amplifier would be able to output 1 W of power in a BTL configuration with the same supply voltage and load. In addition to the increase in output power, the BTL configuration does not suffer from the same low frequency issues that plague the single-ended configuration. In a BTL configuration, there is no need for an output capacitor to block dc, so no unwanted filtering occurs. In addition, the BTL configuration saves money and space, as the dc-blocking capacitors needed for single-ended operation are large and expensive. For example, with an 8- $\Omega$  load in SE operation, the user needs a capacitor of 995  $\mu$ F to obtain a lower cutoff frequency of 20 Hz. This capacitor would be very expensive and very large.

### Single-Ended Operation

Figure 25 shows a Class-AB audio power amplifier in an SE configuration. In SE mode, the load is driven from the primary amplifier for each channel (Rout+ and Lout+, terminals 27 and 16 respectively). The amplifier switches from BTL to SE mode when the SE/BTL pin is held high<sup>(1)</sup>. This puts the negative outputs of the amplifier into a high impedance state, and reduces the amplifier's gain according to the voltage applied to SEDIFF and SEMAX.

### SE/BTL Operation

The ability of the TPA6030A4 to easily switch between BTL and SE modes is one of its most important cost saving features. This feature eliminates the requirement for an additional headphone amplifier in applications where internal stereo speakers are driven in BTL mode but an external headphone must be accommodated. The follower amplifiers that drive Rout- and Lout- (terminals 1 and 14) are controlled by the SE/BTL input (terminal 26). When SE/BTL is held low<sup>(1)</sup>, the amplifiers are on and the TPA6030A4 is in the BTL mode. When SE/BTL is held high<sup>(1)</sup>, only the positive output amplifiers are on. The negative outputs enter a high impedance state, which configures the TPA6030A4 as an SE driver from the Rout+ and Lout+ outputs (terminals 27 and 16). Control of the SE/BTL input can be from a separate voltage source or, more typically, from a resistor divider network. See Figure 26 for an example of a resistor divider network.

Using a readily available 1/8-in. (3,5 mm) stereo headphone jack, the control switch is closed when no plug is inserted. When closed, the parallel combination of R5 and R7 (see Figure 22) pulls the SE/BTL pin low<sup>(1)</sup>, causing the device to operate in BTL mode. When a plug is inserted, the 1-k $\Omega$  resistor is disconnected and the SE/BTL input is pulled high<sup>(1)</sup>. When the input goes high<sup>(1)</sup>, the negative output amplifiers go into a state of high impedance, essentially open circuiting the speaker. The positive output amplifiers then drive through the output capacitor (CO) into the headphone jack.

### IN2/IN1 Operation

The TPA6030A4 has the ability to switch between the two input sources. Those sources are dubbed IN2 and IN1. There is no functional difference between the two inputs. Both perform equally well with any audio signal (provided that signal is within the specified limits set forth earlier in this document). However, only one input at a time is allowed through to the output. IN2/IN1 (terminal 26) controls which input is allowed into the amplifier. As with SE/BTL, IN2/IN1 can be controlled by either a separate voltage source or, more typically, from a resistor divider network. See Figure 26 for an example of a resistor divider network.

<sup>(1)</sup> Refer to the table entitled *Recommended Operating Conditions*.

### Tying the SE/BTL and IN2/IN1 Pins Together

In some applications, it may be desirable to have one input specifically for BTL operation and one input specifically for SE operation. This is accomplished by tying the SE/BTL and IN2/IN1 pins together and connecting them to a common control voltage. An example of this type of configuration can be found in Figure 22. The two pins are tied together and are connected to the resistor divider network. That network is connected to the stereo headphone jack, and is closed when no plug is inserted. This pulls both the IN2/IN1 and SE/BTL pins low, causing the amplifier to go into BTL mode using the IN1 (RIN1 and LIN1) inputs. Should a headphone plug be inserted into the headphone jack, both inputs would be pulled high, and the amplifier would be in SE mode using the IN2 inputs.

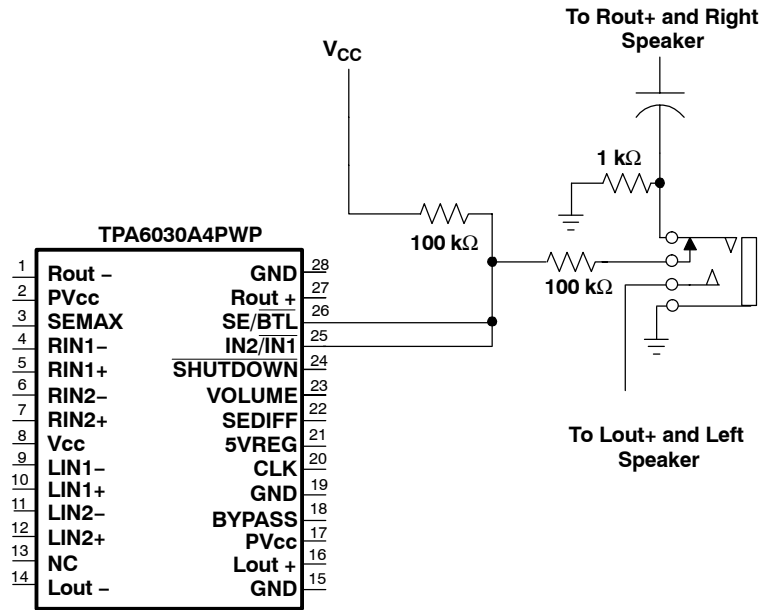
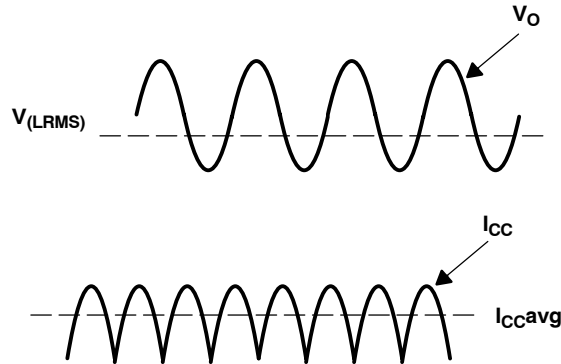


Figure 26. Resistor Divider Network

## THERMAL INFORMATION

Class-AB amplifiers are inefficient. The primary cause of these inefficiencies is a voltage drop across the output stage transistors. There are two components of the internal voltage drop. One is the headroom or dc voltage drop that varies inversely to output power. The second component is due to the sinewave nature of the output. The total voltage drop can be calculated by subtracting the RMS value of the output voltage from  $V_{CC}$ . The internal voltage drop multiplied by the average value of the supply current,  $I_{CCavg}$ , determines the internal power dissipation of the amplifier.

An easy-to-use equation to calculate efficiency starts out as being equal to the ratio of power from the power supply to the power delivered to the load. To accurately calculate the RMS and average values of power in the load and in the amplifier, the current and voltage waveform shapes must first be understood (see Figure 27).



**Figure 27. Voltage and Current Waveforms for BTL Amplifiers**

Although the voltages and currents for SE and BTL are sinusoidal in the load, currents from the supply are very different between SE and BTL configurations. In an SE application the current waveform is a half-wave rectified waveform, whereas in BTL it is a full-wave rectified waveform. This means RMS conversion factors are different. Keep in mind that for most of the waveform both the push and pull transistors are not on at the same time, which supports the fact that each amplifier in the BTL device only draws current from the supply for half the waveform. The following equations are the basis for calculating amplifier efficiency:

$$\text{Efficiency of a BTL amplifier} = \frac{P_L}{P_{SUP}} \quad (10)$$

where:

$$P_L = \frac{V_{LRMS}^2}{R_L}, \text{ and } V_{LRMS} = \frac{V_P}{\sqrt{2}}, \text{ therefore, } P_L = \frac{V_P^2}{2R_L} \text{ per channel}$$

$$P_{SUP} = V_{CC} I_{CCavg} + V_{CC} I_{CC(q)}$$

$$\text{and } I_{CCavg} = \frac{1}{\pi} \int_0^{\pi} \frac{V_P}{R_L} \sin(t) dt = -\frac{V_P}{\pi R_L} [\cos(t)]_0^{\pi} = \frac{2V_P}{\pi R_L} \quad (11)$$

$$\text{where } V_P = \sqrt{2 P_L R_L}$$

therefore,

$$P_{SUP} = \frac{2 V_{CC} V_P}{\pi R_L} + V_{CC} I_{CC(q)} \quad (12)$$

$P_L$  = Power delivered to load (per channel)  
 $P_{SUP}$  = Power drawn from power supply  
 $V_{LRMS}$  = RMS voltage on BTL load  
 $R_L$  = Load resistance  
 $V_P$  = Peak voltage on BTL load  
 $I_{CCavg}$  = Average current drawn from the power supply  
 $V_{CC}$  = Power supply voltage  
 $\eta_{BTL}$  = Efficiency of a BTL amplifier  
 $\eta_{SE}$  = Efficiency of a SE amplifier

Equation 12 represents the power drawn from the supply during mono operation. For stereo operation, the first term of equation 12 is doubled while the second term in the equation, quiescent power, does not change.

Equation 13 represents the power drawn from the supply during stereo operation.

$$P_{SUP(stereo)} = \frac{4 V_{CC} V_P}{\pi R_L} + V_{CC} I_{CC(q)} \quad (13)$$

Substituting  $P_L$  and  $P_{SUP}$  into equation 10:

$$\eta_{BTL(stereo)} = \frac{2 P_L}{\frac{4 V_{CC} V_P}{\pi R_L} + V_{CC} I_{CC(q)}} = \frac{2\pi P_L R_L}{4 V_{CC} V_P + V_{CC} I_{CC(q)} \pi R_L}$$

Note the factor of 2 in the numerator for stereo operation.

Recall that:

$$V_P = \sqrt{2 P_L R_L}$$

therefore,

$$\eta_{BTL(stereo)} = \frac{2\pi P_L \sqrt{R_L}}{4 V_{CC} \sqrt{2 P_L} + V_{CC} I_{CC(q)} \pi \sqrt{R_L}} \quad (14)$$

For SE operation, the current waveform is halfwave rectified. Therefore,  $I_{CCavg}$  must be recalculated.

In an SE system:

$$I_{CCavg} = \frac{1}{\pi} \int_0^{\pi} \frac{V_P}{R_L} \sin(t) dt = -\frac{V_P}{\pi R_L} [\cos(t)]_0^{\pi} = \frac{V_P}{\pi R_L} \quad (15)$$

therefore,

$$P_{SUP} = \frac{V_{CC} V_P}{\pi R_L} + V_{CC} I_{CC(q)} \quad (16)$$

Stereo operation has the same effect in SE as it does in BTL when doubling the first term of the equation dealing with power drawn from the supply (equation 16).

$$P_{SUP(stereo)} = \frac{2 V_{CC} V_P}{\pi R_L} + V_{CC} I_{CC(q)} \quad (17)$$

Following the same steps for SE operation as in BTL operation:

$$\eta_{SE(stereo)} = \frac{2 P_L}{\frac{2 V_{CC} V_P}{\pi R_L} + V_{CC} I_{CC(q)}} = \frac{2\pi P_L R_L}{2 V_{CC} V_P + V_{CC} I_{CC(q)} \pi R_L}$$

Recall that:

$$V_P = \sqrt{2 P_L R_L}$$

therefore,

$$\eta_{SE(stereo)} = \frac{2\pi P_L \sqrt{R_L}}{2 V_{CC} \sqrt{2 P_L} + V_{CC} I_{CC(q)} \pi \sqrt{R_L}} \quad (18)$$

# TPA6030A4

SLOS395B – DECEMBER 2002 – REVISED JANUARY 2005

Figures 28 through 31 demonstrate how the maximum ambient temperature changes with respect to  $V_{CC}$ ,  $R_L$ , and the derating factor.

**Table 4. Efficiency and Maximum Ambient Temperature vs Output Power in 12-V Stereo 16-Ω BTL Systems<sup>(1)</sup>**

OUTPUT POWER (PER CHANNEL) (W)	EFFICIENCY (%)	INTERNAL DISSIPATION (W)	POWER FROM SUPPLY (W)	MAX AMBIENT TEMPERATURE (°C)
0.25	17.1	2.4	2.92	82
0.50	24.8	3.0	4.04	65
1	35.6	3.6	5.62	49
2	50.9	3.9	7.88	42
3	62.7	3.6	9.57	50

<sup>(1)</sup>  $I_{CC(q)}$  = 18 mA as shown in the electrical characteristics table.

**Table 5. Efficiency and Maximum Ambient Temperature vs Output Power in 12-V Stereo 8-Ω SE Systems<sup>(2)</sup>**

OUTPUT POWER (PER CHANNEL) (W)	EFFICIENCY (%)	INTERNAL DISSIPATION (W)	POWER FROM SUPPLY (W)	MAX AMBIENT TEMPERATURE (°C)
0.05	10.1	0.89	0.99	125
0.1	14.9	1.14	1.34	118
0.25	24.5	1.54	2.04	107
0.5	35.3	1.13	2.83	99
0.75	43.6	1.94	3.44	96
1	50.6	1.95	3.95	95

<sup>(2)</sup>  $I_{CC(q)}$  = 11 mA as shown in the electrical characteristics table.

Tables 4 and 5 employ equations 14 and 18 respectively to calculate efficiencies for different output power levels. Calculating the efficiency for a specific system is the key to proper power supply design. For a stereo 3-W audio system with 16-Ω loads and a 12-V supply, the maximum draw on the power supply is almost 9.6 W.

A final point to remember about Class-AB amplifiers is how to manipulate the terms in the efficiency equations to the best advantage when possible. Note that in equations 14 and 18,  $V_{CC}$  is in the denominator. This indicates that as  $V_{CC}$  goes down, efficiency goes up. Additionally,  $R_L$  appears in both the numerator and denominator. Since the more dominant term is in the numerator, as  $R_L$  goes up, the efficiency goes up.

A simple formula for calculating the power dissipated,  $P_{DISS}$ , is as follows:

$$P_{DISS} = (1-\eta)P_{SUP}$$

The maximum ambient temperature,  $T_A$ , depends on the heat sinking ability of the PCB system. The derating factor for a 28-pin PWP is shown in the dissipation rating table.

Converting this to  $\theta_{JA}$ :

$$\theta_{JA} = \frac{1}{\text{Derating Factor}} = \frac{1}{0.0358} = 27.93^\circ\text{C/W} \quad (19)$$

Given  $\theta_{JA}$ , the maximum allowable junction temperature, and the maximum internal dissipation, the maximum ambient temperature can be calculated using equation 21. The maximum recommended junction temperature for the TPA6030A4 is 150°C.

$$T_A \text{ Max} = T_J \text{ Max} - \theta_{JA} P_{DISS} \quad (20)$$

The maximum ambient temperature for the TPA6030A4 operating with a 12-V supply, and driving 3 W into 16-Ω loads (stereo operation) is:

$$T_A \text{ Max} = 150 - 27.93 (3.6) = 50.2^\circ\text{C}$$



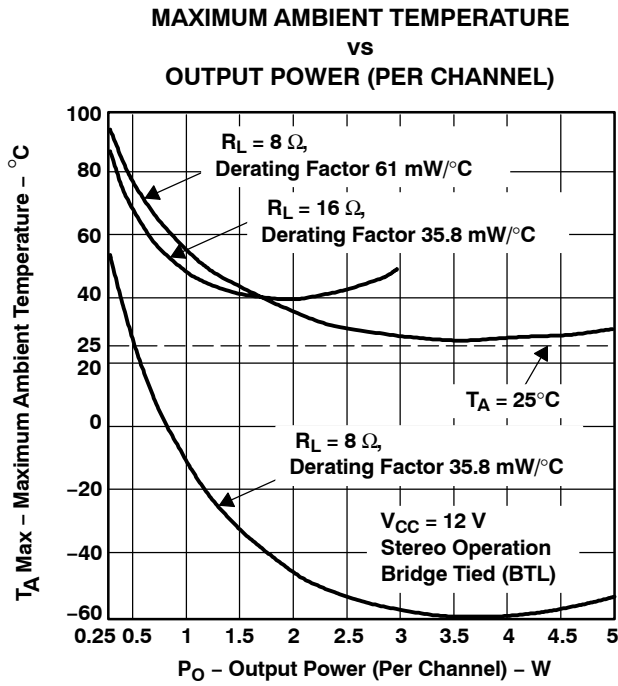


Figure 28

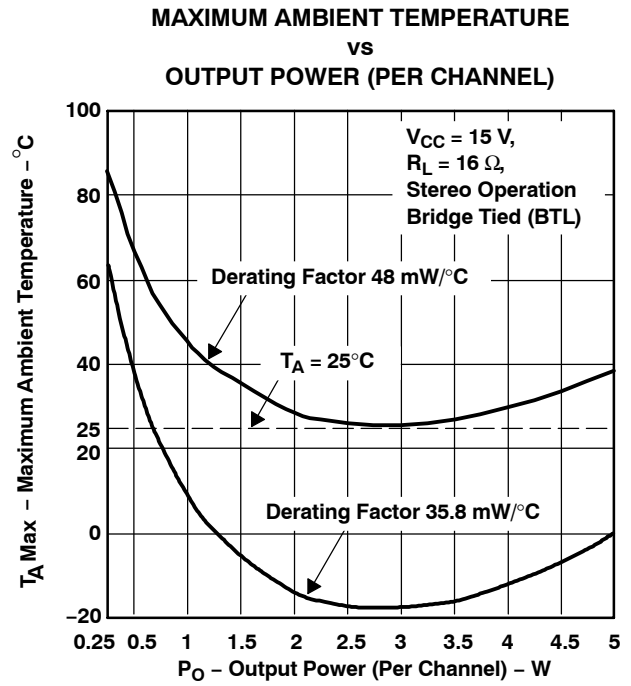


Figure 29

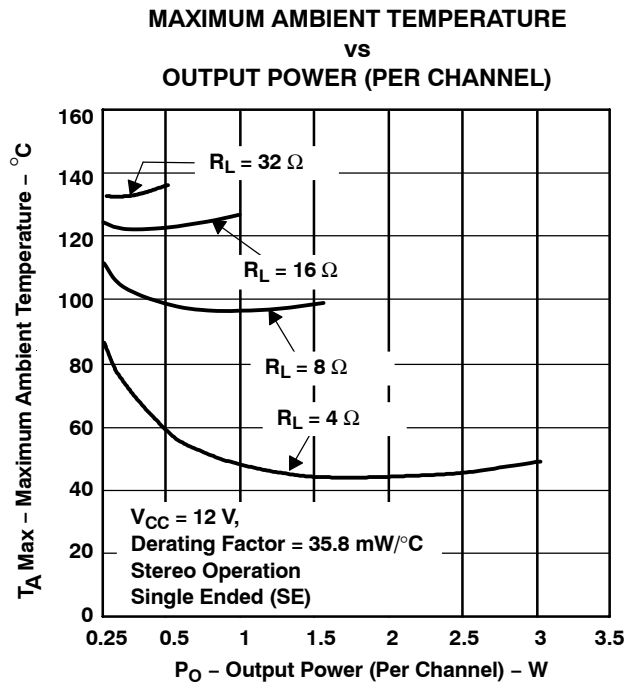


Figure 30

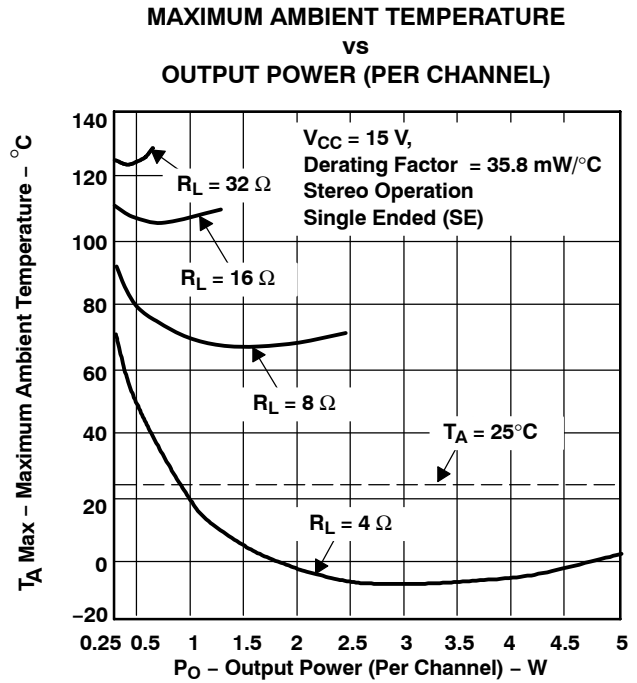


Figure 31

The derating factor is crucial for proper thermal performance. The higher the derating factor, the more power can be dissipated from the device. Board layout affects the derating factor, and should be optimized to achieve the best thermal performance. Using boards with large copper planes that are uncut by signal or power paths help tremendously. Using heavier copper, 2 oz. as opposed to 1 oz., is also beneficial. Placing the device close to a fan is another way to enhance thermal performance. Most importantly, the PowerPAD must be properly soldered down. Refer to the *PowerPAD Thermally Enhanced Package* application note (SLMA002).

**PACKAGING INFORMATION**

Orderable Device	Status (1)	Package Type	Package Drawing	Pins	Package Qty	Eco Plan (2)	Lead finish/ Ball material (6)	MSL Peak Temp (3)	Op Temp (°C)	Device Marking (4/5)	Samples
TPA6030A4PWP	ACTIVE	HTSSOP	PWP	28	50	RoHS & Green	NIPDAU	Level-4-260C-72 HR	-40 to 85	TPA6030A4	<a href="#">Samples</a>
TPA6030A4PWPG4	ACTIVE	HTSSOP	PWP	28	50	TBD	Call TI	Call TI	-40 to 85		<a href="#">Samples</a>
TPA6030A4PWPR	ACTIVE	HTSSOP	PWP	28	2000	RoHS & Green	NIPDAU	Level-4-260C-72 HR	-40 to 85	TPA6030A4	<a href="#">Samples</a>

(1) The marketing status values are defined as follows:

**ACTIVE:** Product device recommended for new designs.

**LIFEBUY:** TI has announced that the device will be discontinued, and a lifetime-buy period is in effect.

**NRND:** Not recommended for new designs. Device is in production to support existing customers, but TI does not recommend using this part in a new design.

**PREVIEW:** Device has been announced but is not in production. Samples may or may not be available.

**OBSOLETE:** TI has discontinued the production of the device.

(2) **RoHS:** TI defines "RoHS" to mean semiconductor products that are compliant with the current EU RoHS requirements for all 10 RoHS substances, including the requirement that RoHS substance do not exceed 0.1% by weight in homogeneous materials. Where designed to be soldered at high temperatures, "RoHS" products are suitable for use in specified lead-free processes. TI may reference these types of products as "Pb-Free".

**RoHS Exempt:** TI defines "RoHS Exempt" to mean products that contain lead but are compliant with EU RoHS pursuant to a specific EU RoHS exemption.

**Green:** TI defines "Green" to mean the content of Chlorine (Cl) and Bromine (Br) based flame retardants meet JS709B low halogen requirements of <=1000ppm threshold. Antimony trioxide based flame retardants must also meet the <=1000ppm threshold requirement.

(3) MSL, Peak Temp. - The Moisture Sensitivity Level rating according to the JEDEC industry standard classifications, and peak solder temperature.

(4) There may be additional marking, which relates to the logo, the lot trace code information, or the environmental category on the device.

(5) Multiple Device Markings will be inside parentheses. Only one Device Marking contained in parentheses and separated by a "~" will appear on a device. If a line is indented then it is a continuation of the previous line and the two combined represent the entire Device Marking for that device.

(6) Lead finish/Ball material - Orderable Devices may have multiple material finish options. Finish options are separated by a vertical ruled line. Lead finish/Ball material values may wrap to two lines if the finish value exceeds the maximum column width.

**Important Information and Disclaimer:**The information provided on this page represents TI's knowledge and belief as of the date that it is provided. TI bases its knowledge and belief on information provided by third parties, and makes no representation or warranty as to the accuracy of such information. Efforts are underway to better integrate information from third parties. TI has taken and continues to take reasonable steps to provide representative and accurate information but may not have conducted destructive testing or chemical analysis on incoming materials and chemicals. TI and TI suppliers consider certain information to be proprietary, and thus CAS numbers and other limited information may not be available for release.

In no event shall TI's liability arising out of such information exceed the total purchase price of the TI part(s) at issue in this document sold by TI to Customer on an annual basis.

**TAPE AND REEL INFORMATION**

**QUADRANT ASSIGNMENTS FOR PIN 1 ORIENTATION IN TAPE**

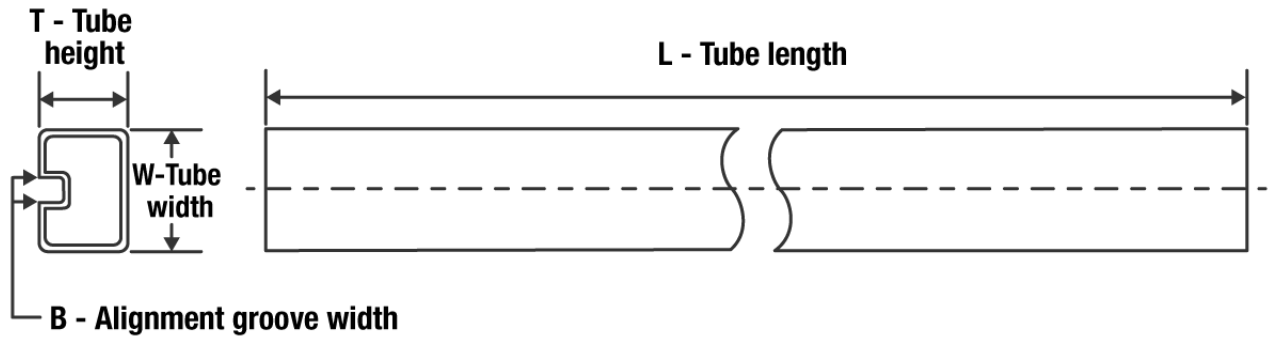

\*All dimensions are nominal

Device	Package Type	Package Drawing	Pins	SPQ	Reel Diameter (mm)	Reel Width W1 (mm)	A0 (mm)	B0 (mm)	K0 (mm)	P1 (mm)	W (mm)	Pin1 Quadrant
TPA6030A4PWPR	HTSSOP	PWP	28	2000	330.0	16.4	6.9	10.2	1.8	12.0	16.0	Q1

**TAPE AND REEL BOX DIMENSIONS**


\*All dimensions are nominal

Device	Package Type	Package Drawing	Pins	SPQ	Length (mm)	Width (mm)	Height (mm)
TPA6030A4PWPR	HTSSOP	PWP	28	2000	350.0	350.0	43.0

**TUBE**


\*All dimensions are nominal

Device	Package Name	Package Type	Pins	SPQ	L (mm)	W (mm)	T (μm)	B (mm)
TPA6030A4PWP	PWP	HTSSOP	28	50	530	10.2	3600	3.5
TPA6030A4PWPG4	PWP	HTSSOP	28	50	530	10.2	3600	3.5

## GENERIC PACKAGE VIEW

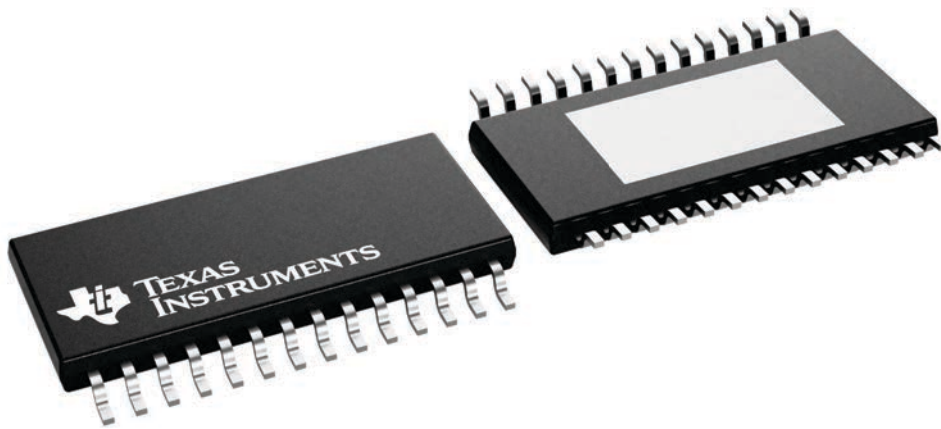
**PWP 28**

**PowerPAD™ TSSOP - 1.2 mm max height**

4.4 x 9.7, 0.65 mm pitch

SMALL OUTLINE PACKAGE

This image is a representation of the package family, actual package may vary.  
Refer to the product data sheet for package details.

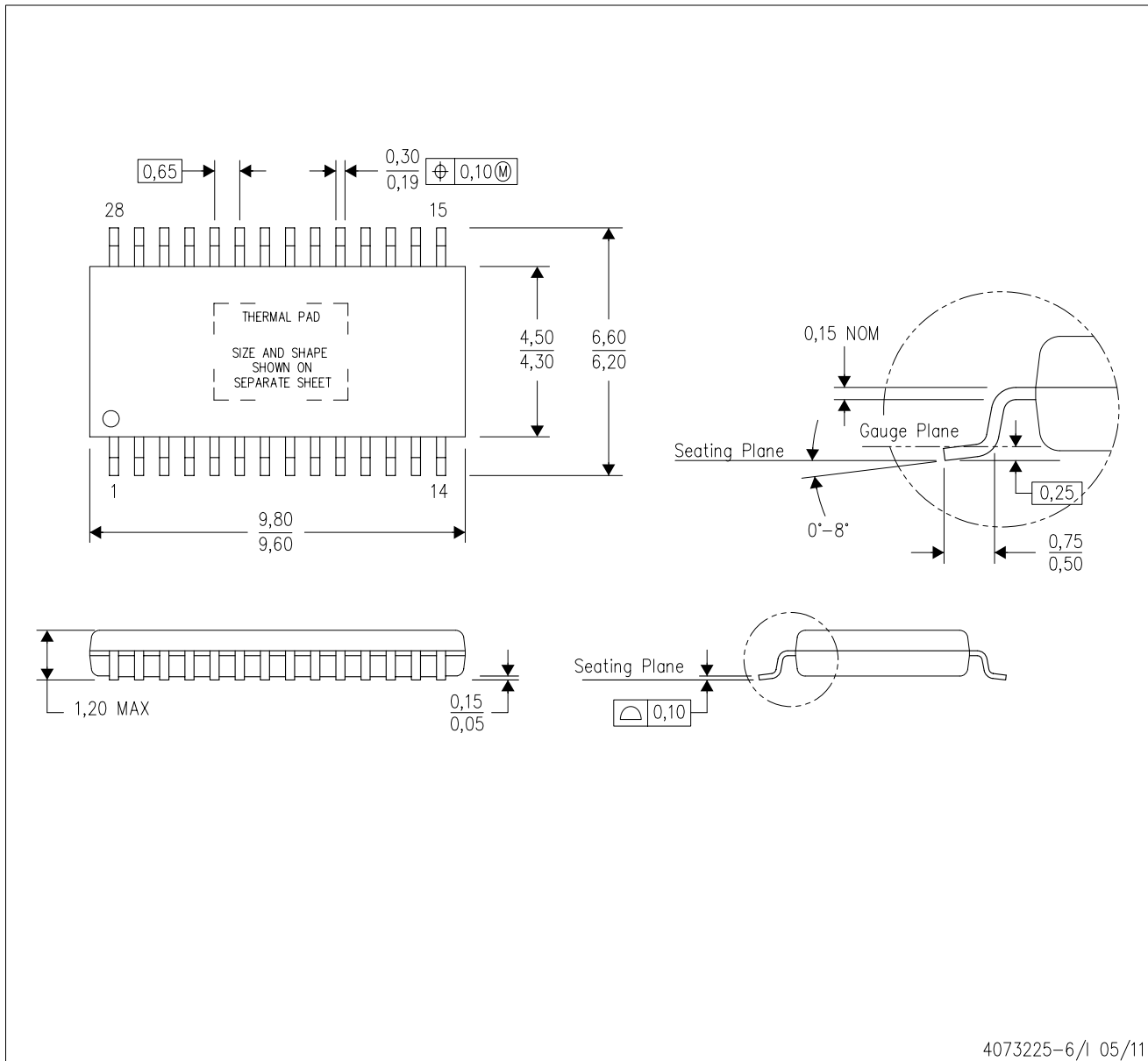


4224765/B

# MECHANICAL DATA

PWP (R-PDSO-G28)

PowerPAD™ PLASTIC SMALL OUTLINE



4073225-6/1 05/11

- NOTES:
- All linear dimensions are in millimeters.
  - This drawing is subject to change without notice.
  - Body dimensions do not include mold flash or protrusions. Mold flash and protrusion shall not exceed 0.15 per side.
  - This package is designed to be soldered to a thermal pad on the board. Refer to Technical Brief, PowerPad Thermally Enhanced Package, Texas Instruments Literature No. SLMA002 for information regarding recommended board layout. This document is available at [www.ti.com](http://www.ti.com) <<http://www.ti.com>>.
  - See the additional figure in the Product Data Sheet for details regarding the exposed thermal pad features and dimensions.
  - Falls within JEDEC MO-153

PowerPAD is a trademark of Texas Instruments.



# THERMAL PAD MECHANICAL DATA

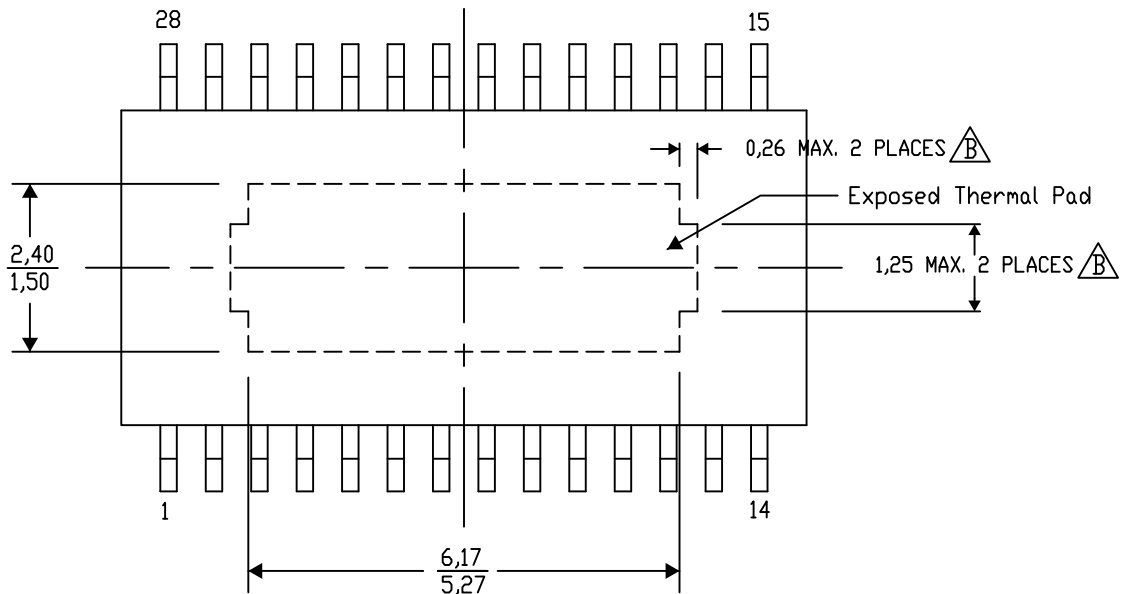
## PWP (R-PDSO-G28) PowerPAD™ SMALL PLASTIC OUTLINE

### THERMAL INFORMATION

This PowerPAD™ package incorporates an exposed thermal pad that is designed to be attached to a printed circuit board (PCB). The thermal pad must be soldered directly to the PCB. After soldering, the PCB can be used as a heatsink. In addition, through the use of thermal vias, the thermal pad can be attached directly to the appropriate copper plane shown in the electrical schematic for the device, or alternatively, can be attached to a special heatsink structure designed into the PCB. This design optimizes the heat transfer from the integrated circuit (IC).

For additional information on the PowerPAD package and how to take advantage of its heat dissipating abilities, refer to Technical Brief, PowerPAD Thermally Enhanced Package, Texas Instruments Literature No. SLMA002 and Application Brief, PowerPAD Made Easy, Texas Instruments Literature No. SLMA004. Both documents are available at [www.ti.com](http://www.ti.com).

The exposed thermal pad dimensions for this package are shown in the following illustration.



Top View

Exposed Thermal Pad Dimensions

4206332-33/AO 01/16

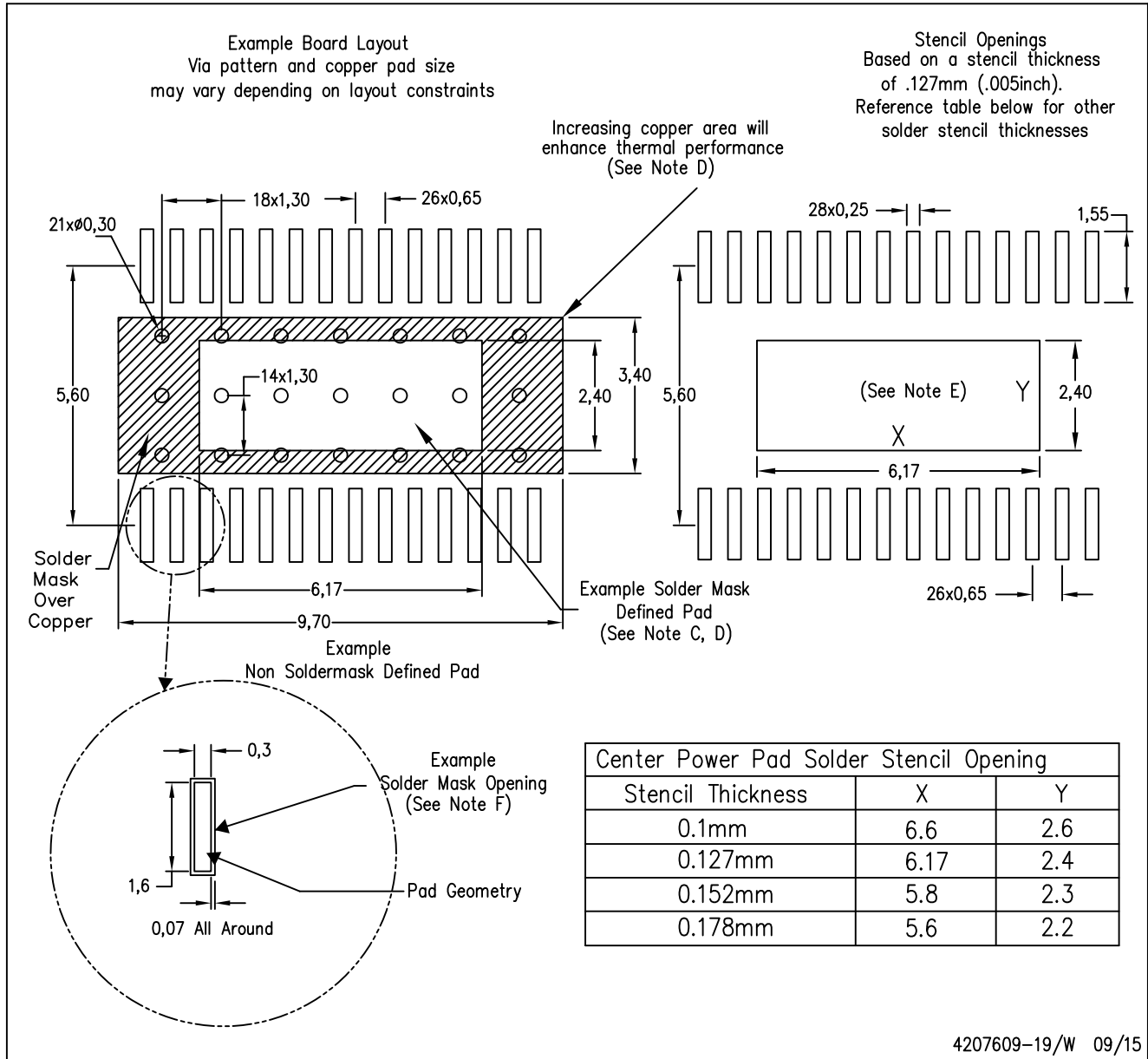
NOTE: A. All linear dimensions are in millimeters

$\triangle B$ . Exposed tie strap features may not be present.

PowerPAD is a trademark of Texas Instruments

PWP (R-PDSO-G28)

PowerPAD™ PLASTIC SMALL OUTLINE



NOTES:

- A. All linear dimensions are in millimeters.
- B. This drawing is subject to change without notice.
- C. Customers should place a note on the circuit board fabrication drawing not to alter the center solder mask defined pad.
- D. This package is designed to be soldered to a thermal pad on the board. Refer to Technical Brief, PowerPad Thermally Enhanced Package, Texas Instruments Literature No. SLMA002, SLMA004, and also the Product Data Sheets.
- E. For specific thermal information, via requirements, and recommended board layout. These documents are available at [www.ti.com](http://www.ti.com) <<http://www.ti.com>>. Publication IPC-7351 is recommended for alternate designs. Laser cutting apertures with trapezoidal walls and also rounding corners will offer better paste release. Customers should contact their board assembly site for stencil design recommendations. Example stencil design based on a 50% volumetric metal load solder paste. Refer to IPC-7525 for other stencil
- F. Customers should contact their board fabrication site for solder mask tolerances between and around signal pads.

## IMPORTANT NOTICE AND DISCLAIMER

TI PROVIDES TECHNICAL AND RELIABILITY DATA (INCLUDING DATA SHEETS), DESIGN RESOURCES (INCLUDING REFERENCE DESIGNS), APPLICATION OR OTHER DESIGN ADVICE, WEB TOOLS, SAFETY INFORMATION, AND OTHER RESOURCES "AS IS" AND WITH ALL FAULTS, AND DISCLAIMS ALL WARRANTIES, EXPRESS AND IMPLIED, INCLUDING WITHOUT LIMITATION ANY IMPLIED WARRANTIES OF MERCHANTABILITY, FITNESS FOR A PARTICULAR PURPOSE OR NON-INFRINGEMENT OF THIRD PARTY INTELLECTUAL PROPERTY RIGHTS.

These resources are intended for skilled developers designing with TI products. You are solely responsible for (1) selecting the appropriate TI products for your application, (2) designing, validating and testing your application, and (3) ensuring your application meets applicable standards, and any other safety, security, regulatory or other requirements.

These resources are subject to change without notice. TI grants you permission to use these resources only for development of an application that uses the TI products described in the resource. Other reproduction and display of these resources is prohibited. No license is granted to any other TI intellectual property right or to any third party intellectual property right. TI disclaims responsibility for, and you will fully indemnify TI and its representatives against, any claims, damages, costs, losses, and liabilities arising out of your use of these resources.

TI's products are provided subject to [TI's Terms of Sale](#) or other applicable terms available either on [ti.com](http://ti.com) or provided in conjunction with such TI products. TI's provision of these resources does not expand or otherwise alter TI's applicable warranties or warranty disclaimers for TI products.

TI objects to and rejects any additional or different terms you may have proposed.

Mailing Address: Texas Instruments, Post Office Box 655303, Dallas, Texas 75265  
Copyright © 2022, Texas Instruments Incorporated