

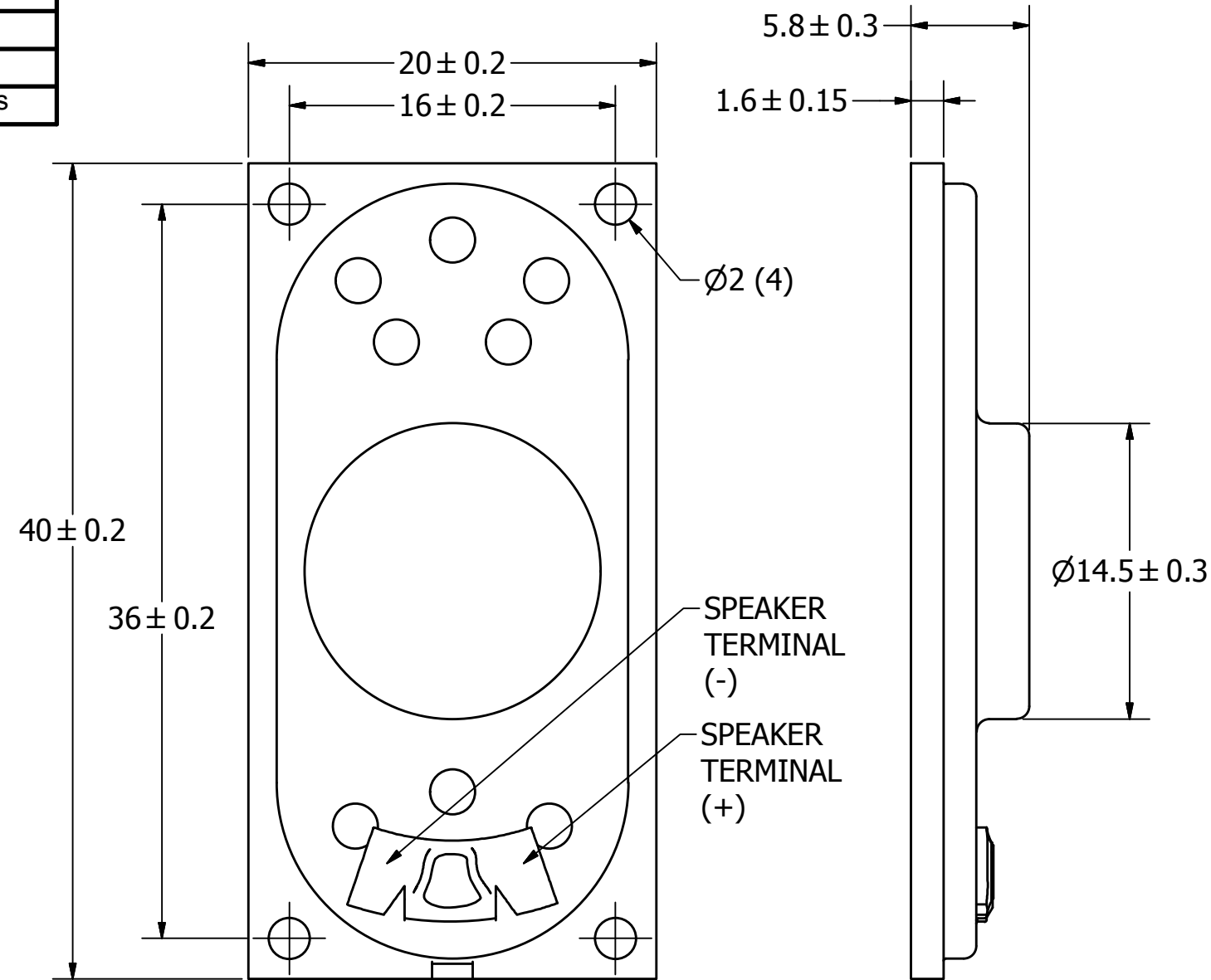
# SPECIFICATIONS

PARAMETERS	VALUES	UNITS
RATED INPUT POWER	2	W
MAX INPUT POWER	3	W
IMPEDANCE	8 ± 15%	OHM
OUTPUT SPL @ 1W/0.5M (AT 0.8, 1.0, 1.2, 1.5 kHz)	83 ± 3	dB
DISTORTION (MAX.)	5%	-
RESONANT FREQUENCY	500 ± 20%	Hz
FREQUENCY RANGE	200 ~ 20,000	Hz
HOUSING MATERIAL	METAL	-
CONE MATERIAL	CLOTH	-
MAGNET MATERIAL	Nd-Fe-B	-
OPERATING TEMPERATURE	-20 ~ +60	°C
WEIGHT	7.6	grams

THIS DOCUMENT CONTAINS DATA PROPRIETARY TO PROJECTS UNLIMITED, INC. ANY USE OR REPRODUCTION, IN ANY FORM, WITHOUT PRIOR WRITTEN PERMISSION OF PROJECTS UNLIMITED, INC. IS PROHIBITED.  
©2003, Projects Unlimited Inc.

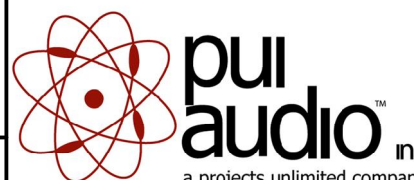
# REVISION HISTORY

LTR	DESCRIPTION	DATE	APPROVED
-	RELEASED FROM ENGINEERING	2/21/2006	
A	REVISED POWER RATINGS, SPL & FREQ.	3/6/2006	E.P.
B	REVISED TO INVENTOR 3-D DRAWING TEMPLATE	12/22/2008	B.R.
C	REVISED RESONANT FREQUENCY	9/25/2012	B.R.



## NOTES:

1. ALL DIMENSIONS ARE IN MILLIMETERS.
2. SPECIFICATIONS SUBJECT TO CHANGE OR WITHDRAWL WITHOUT NOTICE.
3. THIS PART IS RoHS 2002/95/EC COMPLIANT.

UNLESS OTHERWISE SPECIFIED: DIMENSIONS ARE IN MILLIMETERS, TOLERANCES ARE ±0.5 AND ANGLES ARE ±3°.	SIZE <b>A3</b>	Designed by	Date	Checked by	Date	Approved by	Date	Drawn Date
		J.A.F.	2/21/2006	E.P.	2/21/2006	B.R.	2/21/2006	12/12/2008
AS04008CO-R.idw		 a projects unlimited company		<b>AS04008CO-R</b> Speaker			Edition	Sheet
						-	1 / 1	