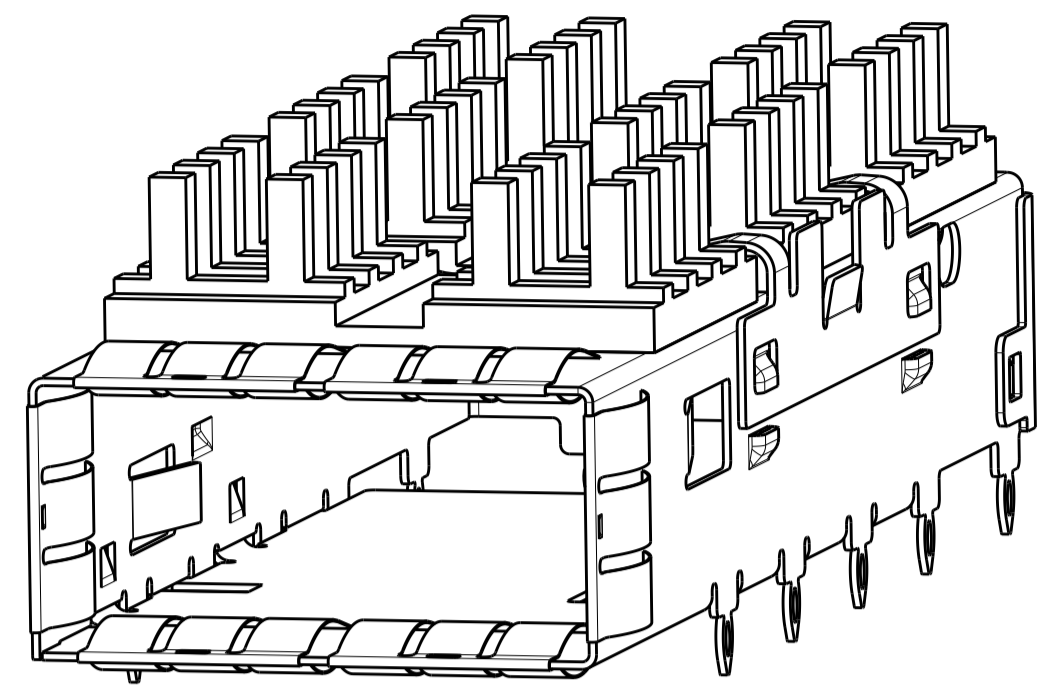
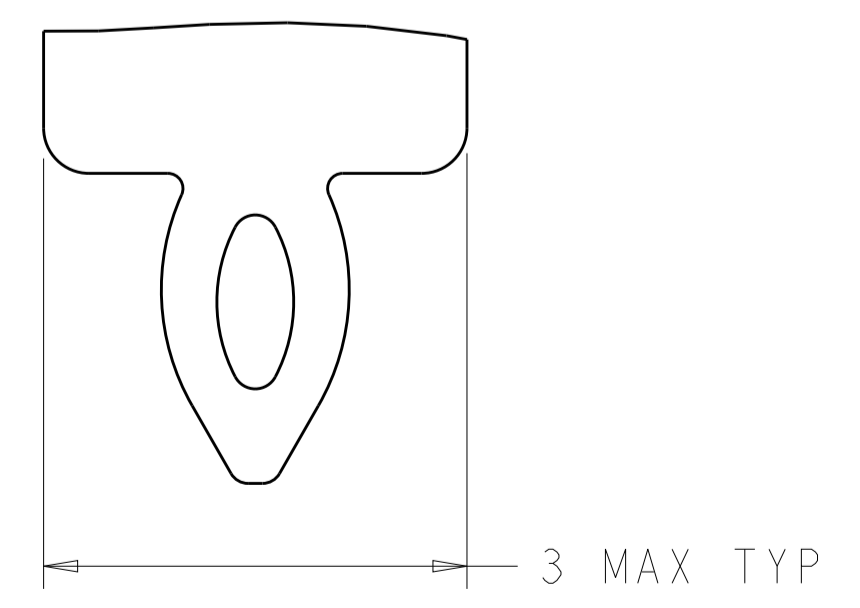
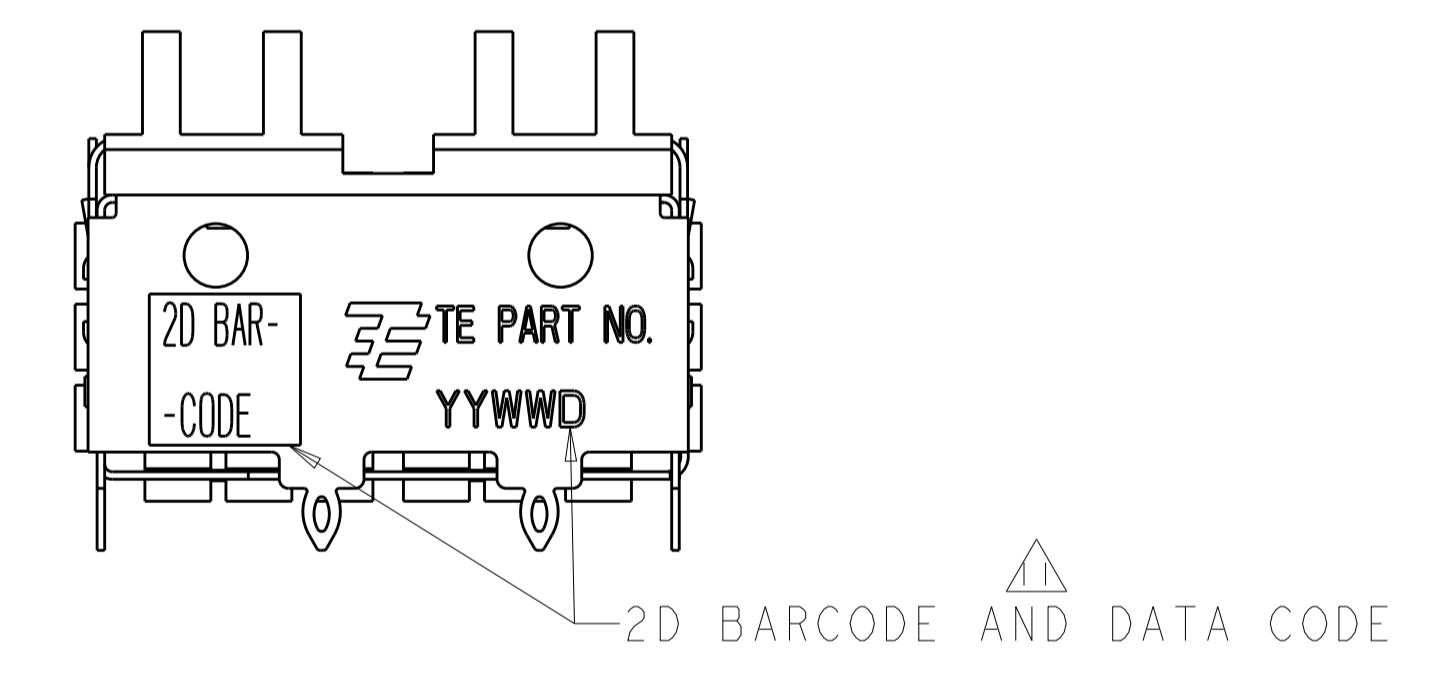
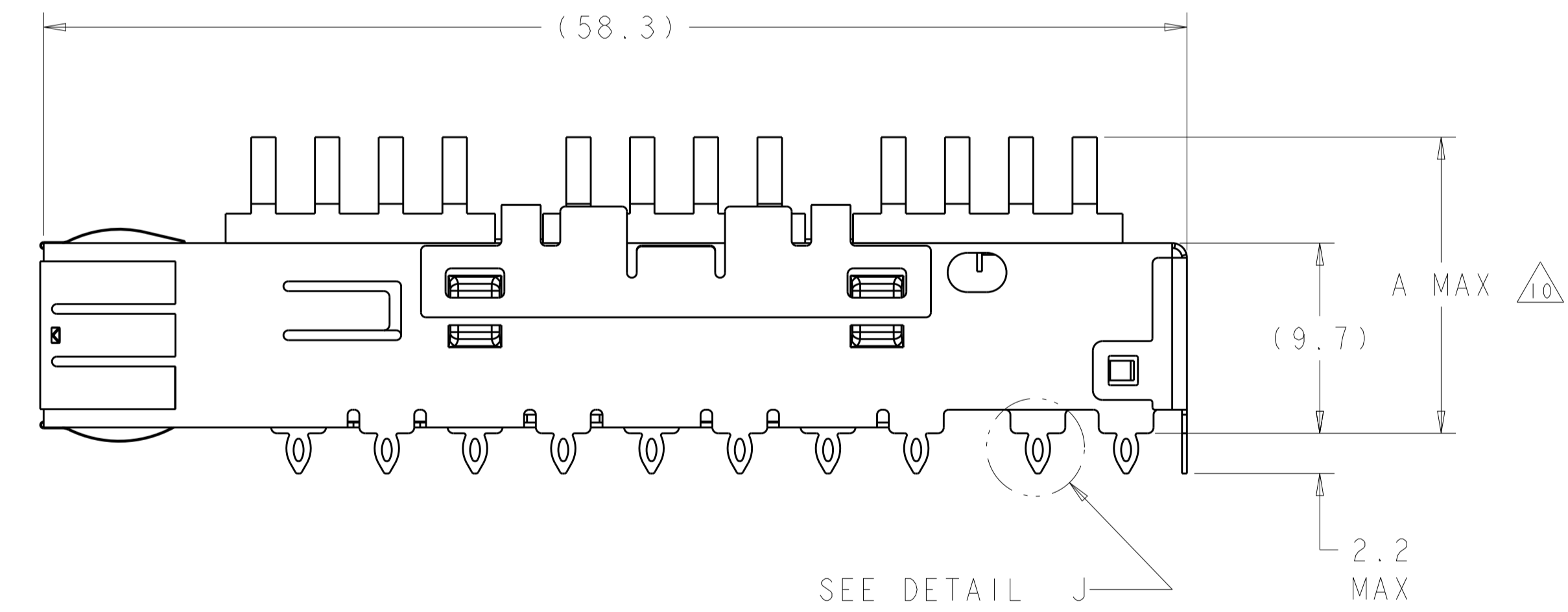
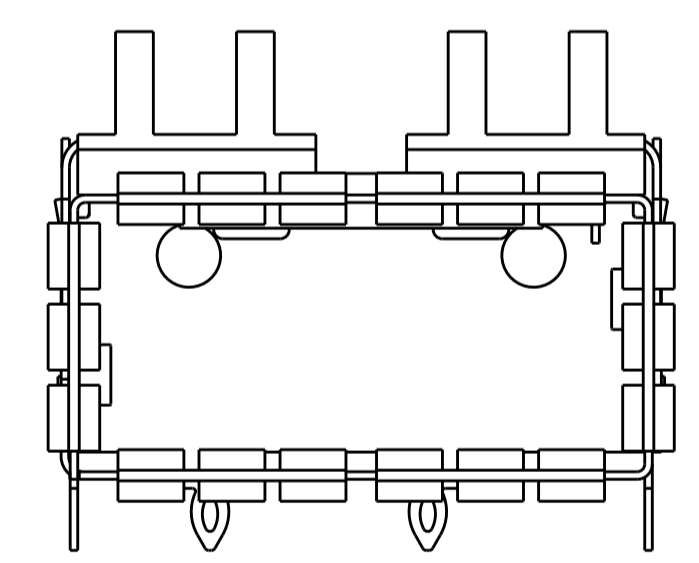
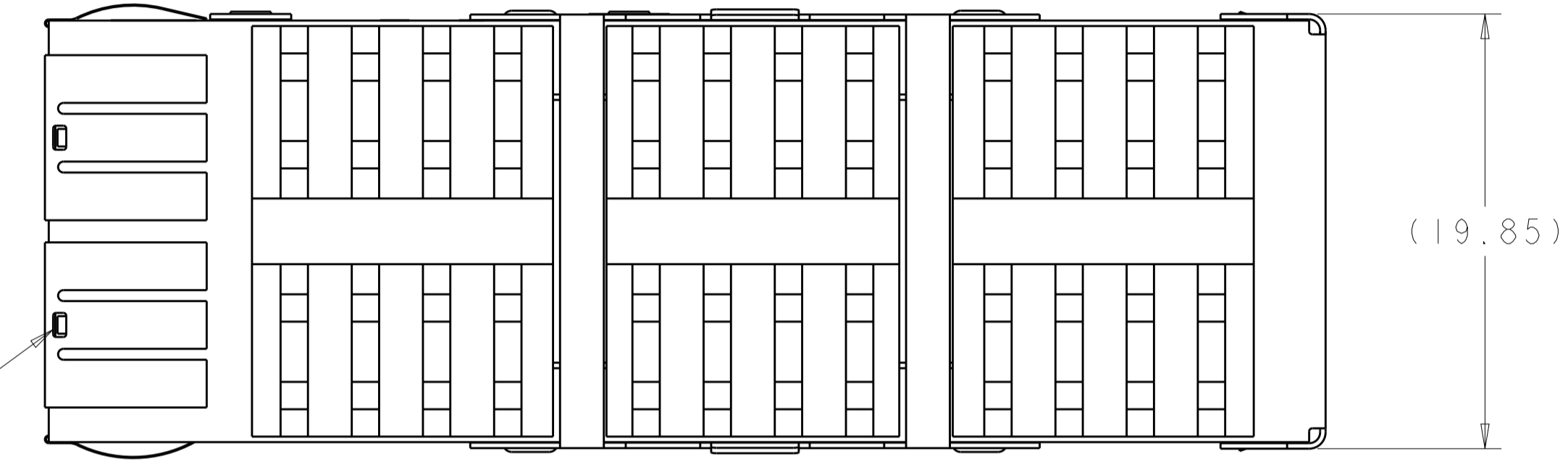


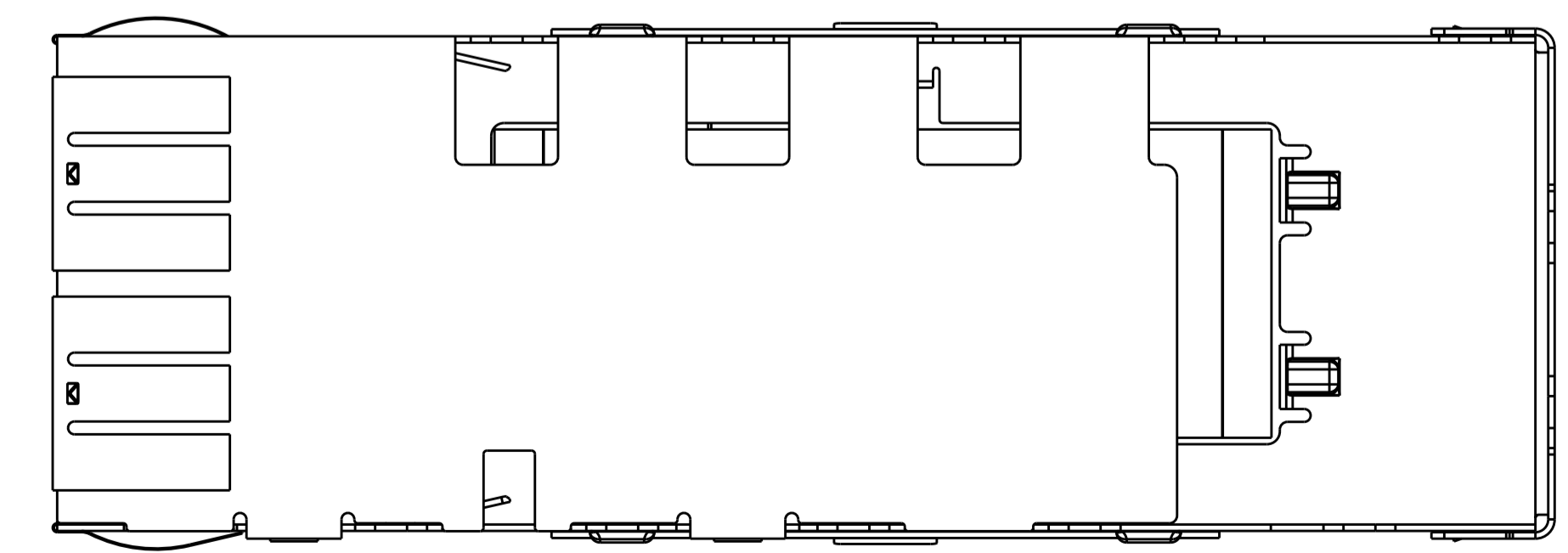
REVISIONS				
REV	LTN	DESCRIPTION	DATE	APP'D
B1		REVISE PER ECO-14-006734	16MAY2014	RG MC
C		REVISE PER ECO-14-009898	16JUNE2014	RG MC
D		REVISE PER ECO-14-017735	24MAR2015	RG MC
D1		REVISED PER ECO-15-012094	20AUG2015	RG SH



Sn42Bi58 SOLDER
6 PLACES



DETAIL J
SCALE 20:1

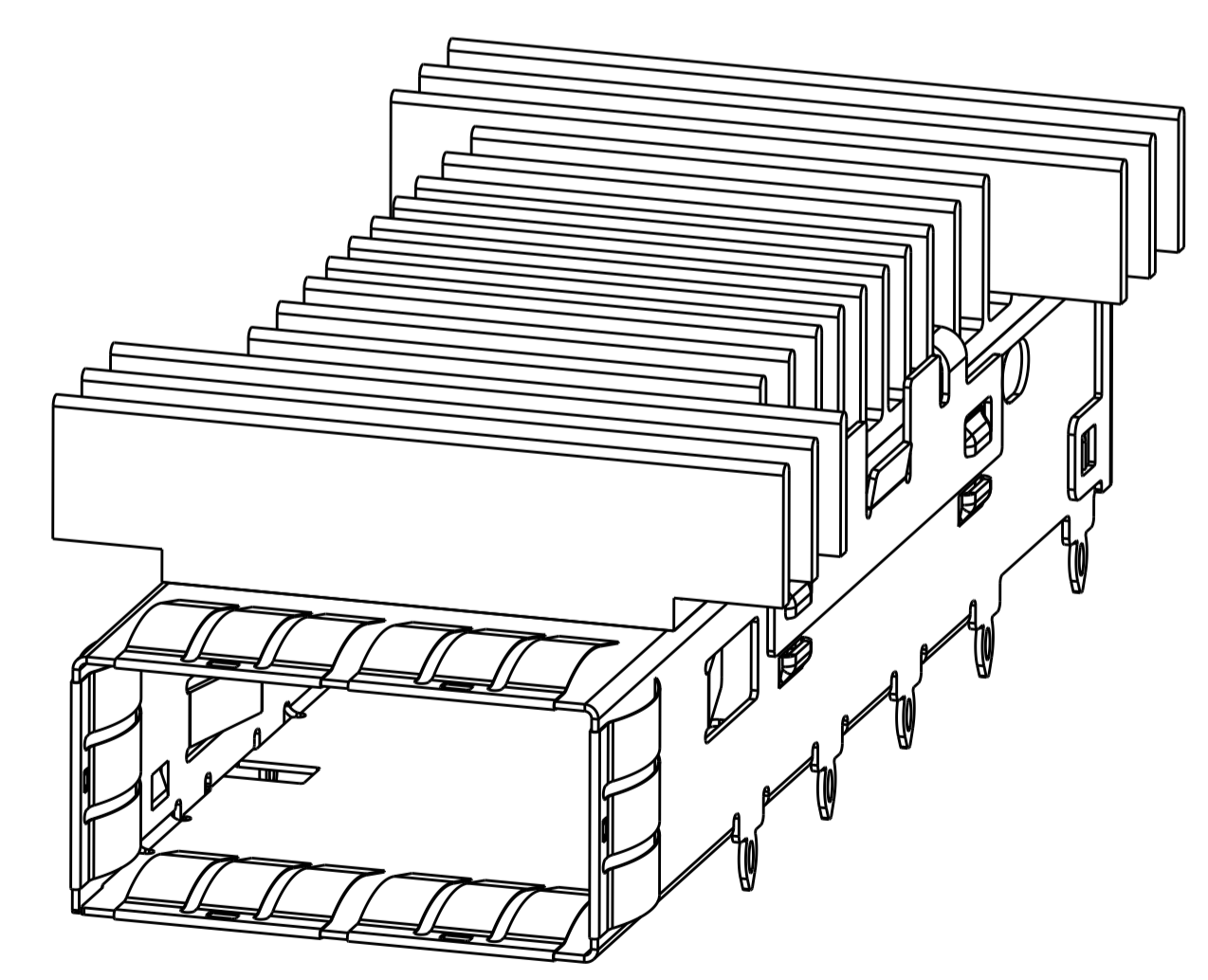
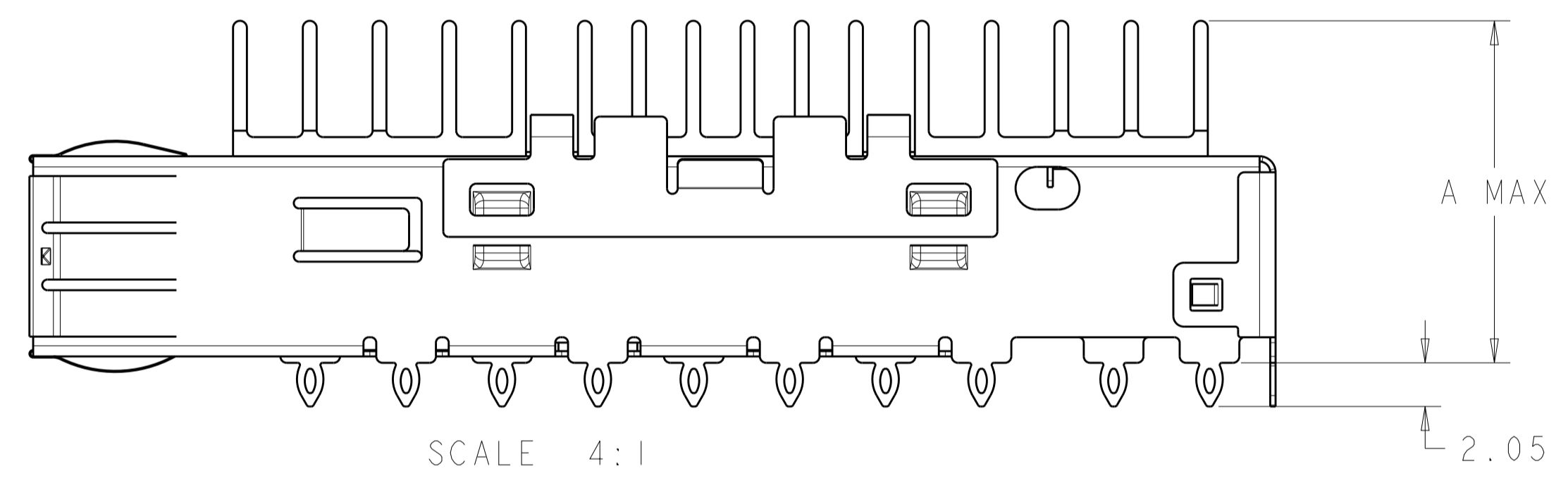
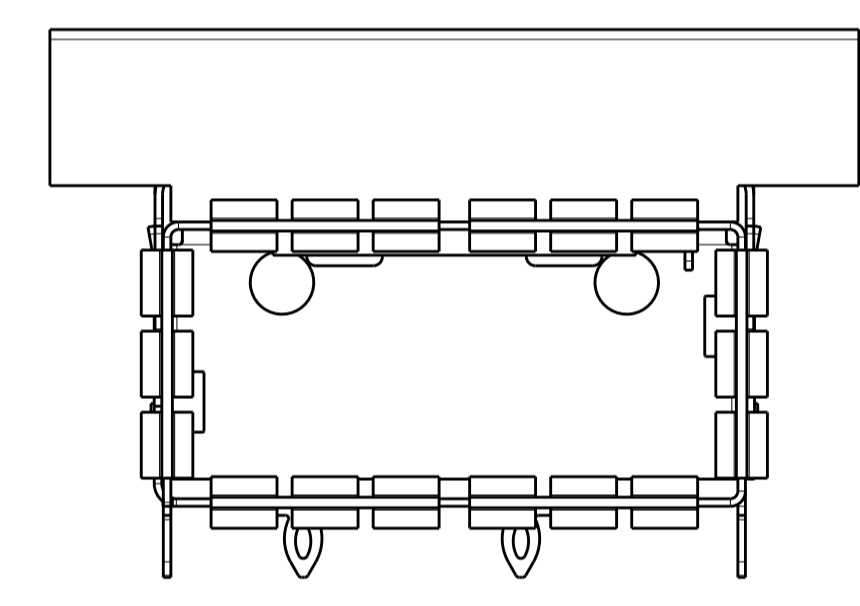
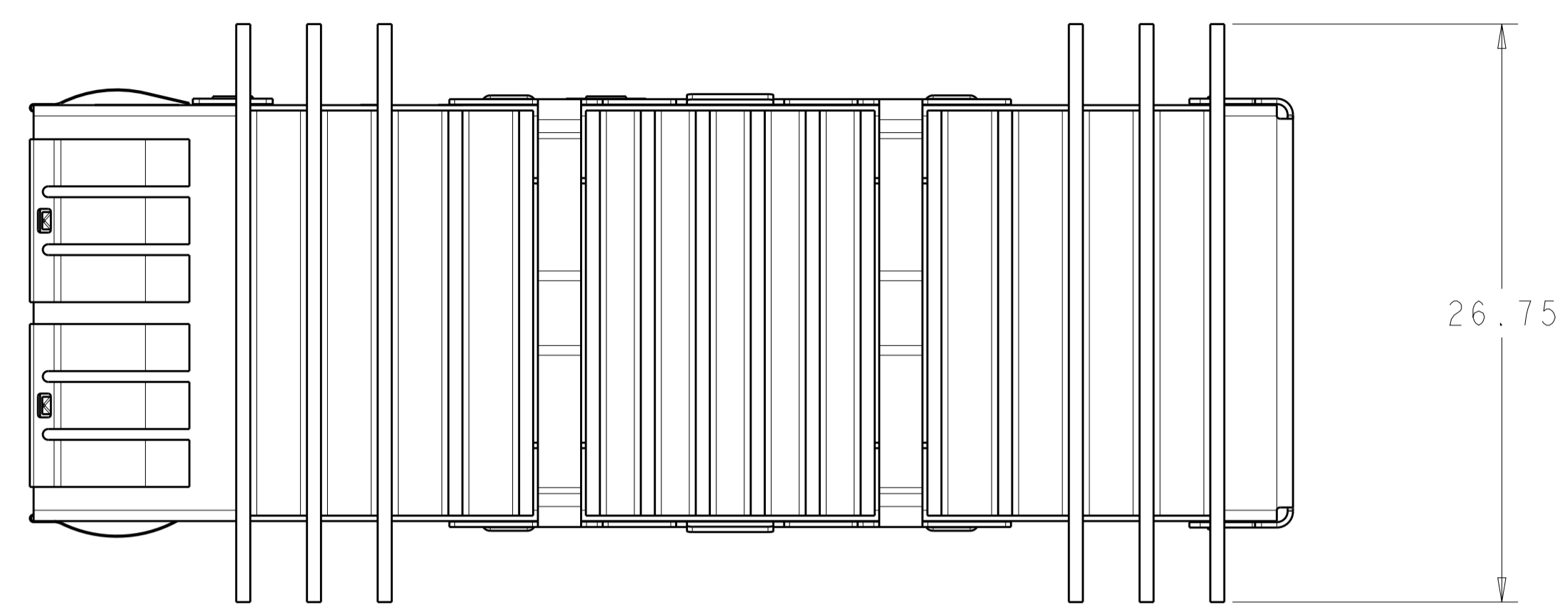


- 1. CAGE MATERIAL: NICKEL SILVER, 0.25 THICK
 HEAT SINK MATERIAL: ALUMINUM
 HEAT SINK CLIP MATERIAL: STAINLESS STEEL
 EMI SPRINGS MATERIAL: COPPER ALLOY
- 2. MINIMUM PITCH DIMENSION.
- 3. MATES WITH QSFP MSA COMPATIBLE TRANSCEIVER.
- 4. REFERENCE APPLICATION SPEC 114-13217 FOR RECOMMENDED DRILL HOLE DIAMETER AND PLATING THICKNESS.
- 5. DATUMS AND BASIC DIMENSIONS ESTABLISHED BY CUSTOMER.
- 6. MINIMUM PC BOARD THICKNESS:
 SINGLE SIDED = 1.45mm (shown, pg. 4)
 DOUBLE SIDED = 2.2mm
- 7. HEATSINK AND CLIP SHIPPED ASSEMBLED TO CAGE ASSEMBLY. CAGE ASSEMBLY MAY BE PRESSED INTO THE PCB AS SHIPPED.
- 8. DATUM -A- IS TOP SURFACE OF HOST BOARD.
- 9. SURFACE TRACES PERMITTED WITHIN THIS AREA EXCEPT WHERE CAGE STANDOFFS, SHOWN IN DETAIL J, CONTACT PC BOARD.
- 10. DIMENSION APPLIES WITH MODULE INSTALLED IN THE CAGE.
- 11. 2D BARCODE AND DATE CODE (YYWWD) MARKED ON BACK OF CAGE.
- 12. SPRING FINISH: 0.8µm MIN TIN OVER 0.8µm MIN NICKEL. NON-PLATED EDGES PERMISSIBLE.
 HEAT SINK FINISH: 0.076 µm MIN NICKEL OR BLACK ANODIZED.
- 13. PRODUCT HAS NOT COMPLETED QUALIFICATION TESTING.

23.0	NETWORKING HEAT SINK	1888631-3
16.0	SAN HEAT SINK (SHOWN)	1888631-2
13.7	PCI HEAT SINK	1888631-1
A	DESCRIPTION	PART NUMBER

THIS DRAWING IS A CONTROLLED DOCUMENT.		OWN: B. MCMASTER OTSEP06	
DIMENSIONS: mm		CHK: E. J. BRIGHT OTSEP06	
TOLERANCES UNLESS OTHERWISE SPECIFIED:		APP'D: E. J. BRIGHT OTSEP06	
0 PLC ± 1 PLC ±0.25 2 PLC ±0.13 3 PLC ± 4 PLC ± ANGLES ± FINISH		NAME: CAGE ASSEMBLY, THRU BEZEL, QSFP, WITH HEAT SINK PRODUCT SPEC: 108-2286 APPLICATION SPEC: 114-13217 WEIGHT: - CUSTOMER DRAWING	
MATERIAL		SIZE: CAGE CODE DRAWING NO: A100779C=1888631	RESTRICTED TO: -
SCALE: 4:1		SHEET 1 OF 6	REV: D1

REVISIONS				
P.	LTN	DESCRIPTION	DATE	APVD
-	-	SEE SHEET 1	-	-

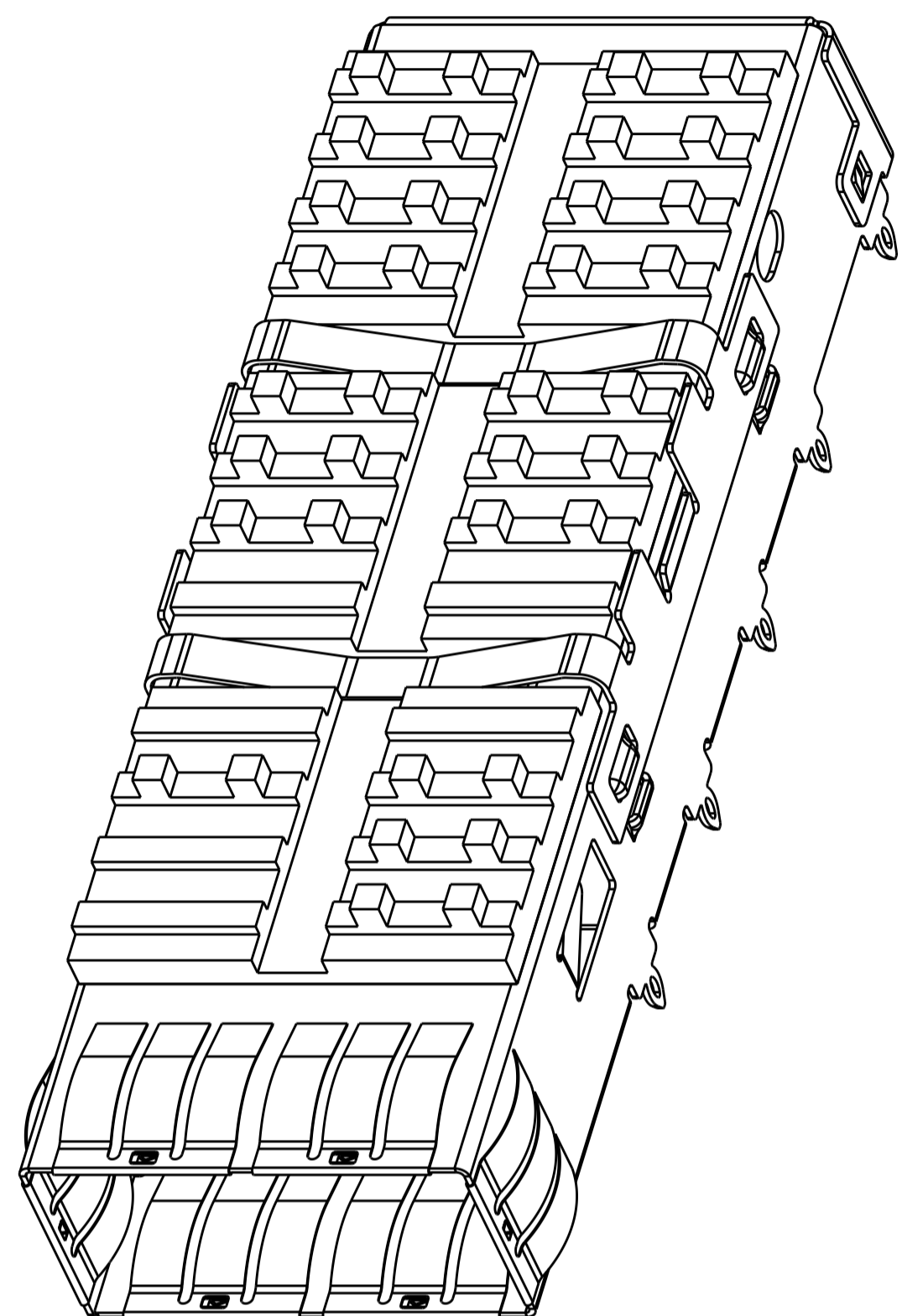


1888631-4 AS SHOWN
 SCALE 4:1

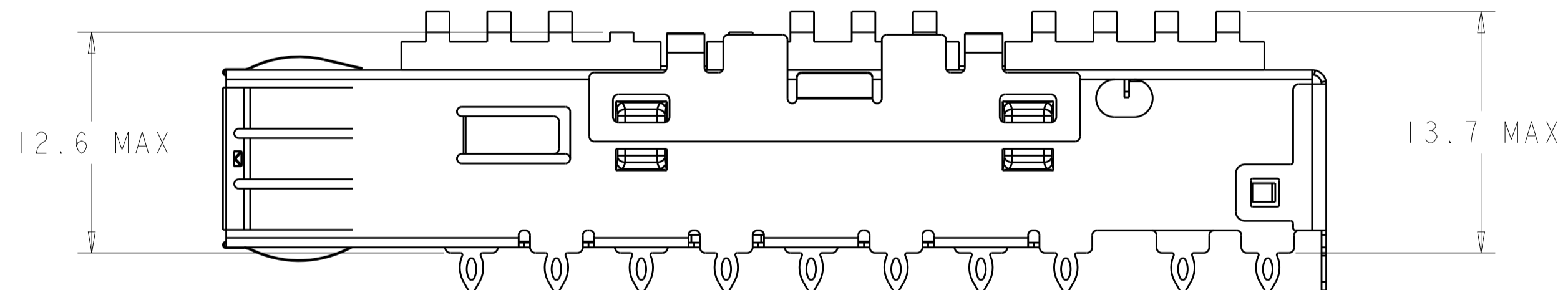
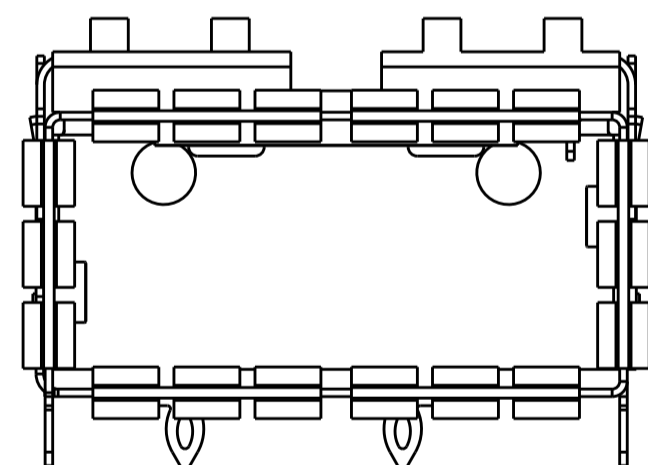
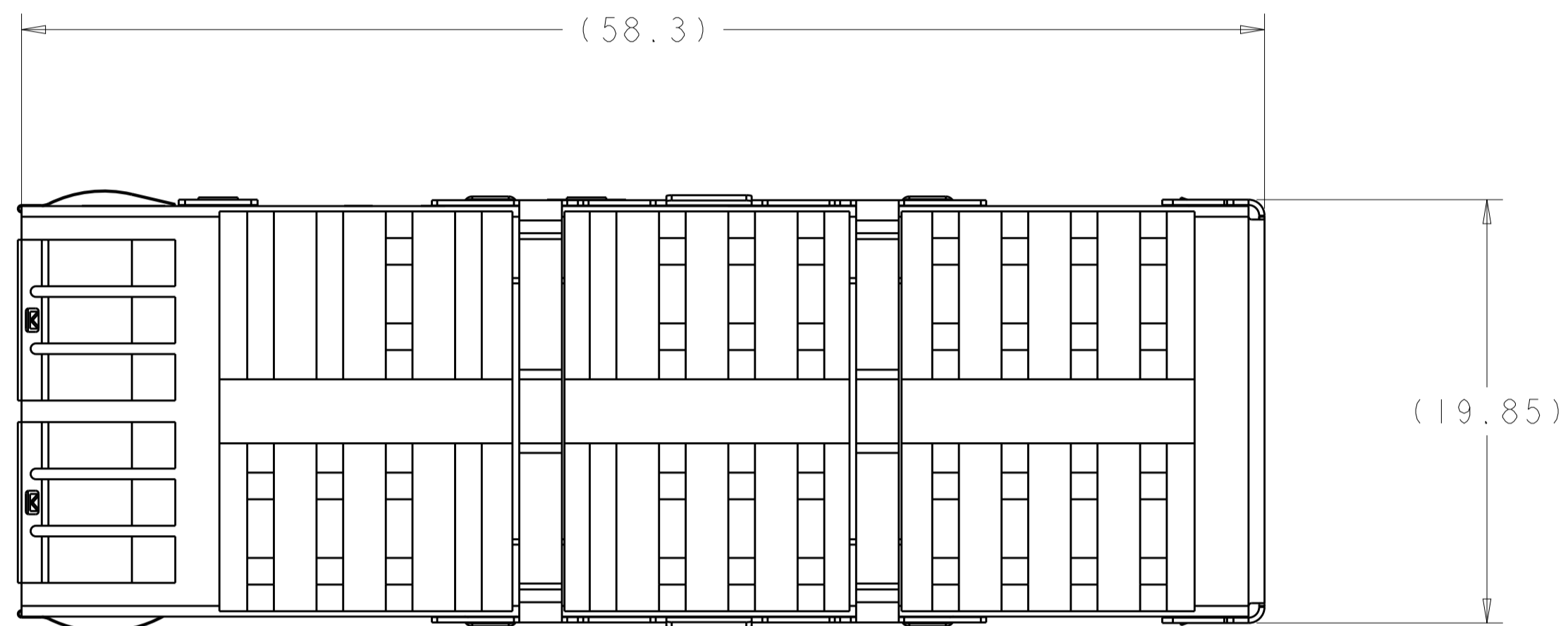
16.96	CUSTOMIZED HEAT SINK	1888631-4
A	DESCRIPTION	PART NUMBER

THIS DRAWING IS A CONTROLLED DOCUMENT.		DWN: B. MCMASTER OTSEP06 CHK: E. J. BRIGHT OTSEP06 APVD: E. J. BRIGHT OTSEP06	TE Connectivity
DIMENSIONS: mm 	TOLERANCES UNLESS OTHERWISE SPECIFIED: 0 PLC ± 1 PLC ±0.25 2 PLC ±0.13 3 PLC ± 4 PLC ± ANGLES ± FINISH	NAME: CAGE ASSEMBLY, THRU BEZEL, OSFP, WITH HEAT SINK PRODUCT SPEC: 108-2286 APPLICATION SPEC: 114-13217 WEIGHT: - CUSTOMER DRAWING	
MATERIAL: -		SIZE: A100779 CAGE CODE: C=1888631 SCALE: 4:1 SHEET: 2 OF 6 REV: D1	RESTRICTED TO: -

REVISIONS				
P.	LTN	DESCRIPTION	DATE	APVD
-	-	SEE SHEET 1	-	-



SCALE 4:1



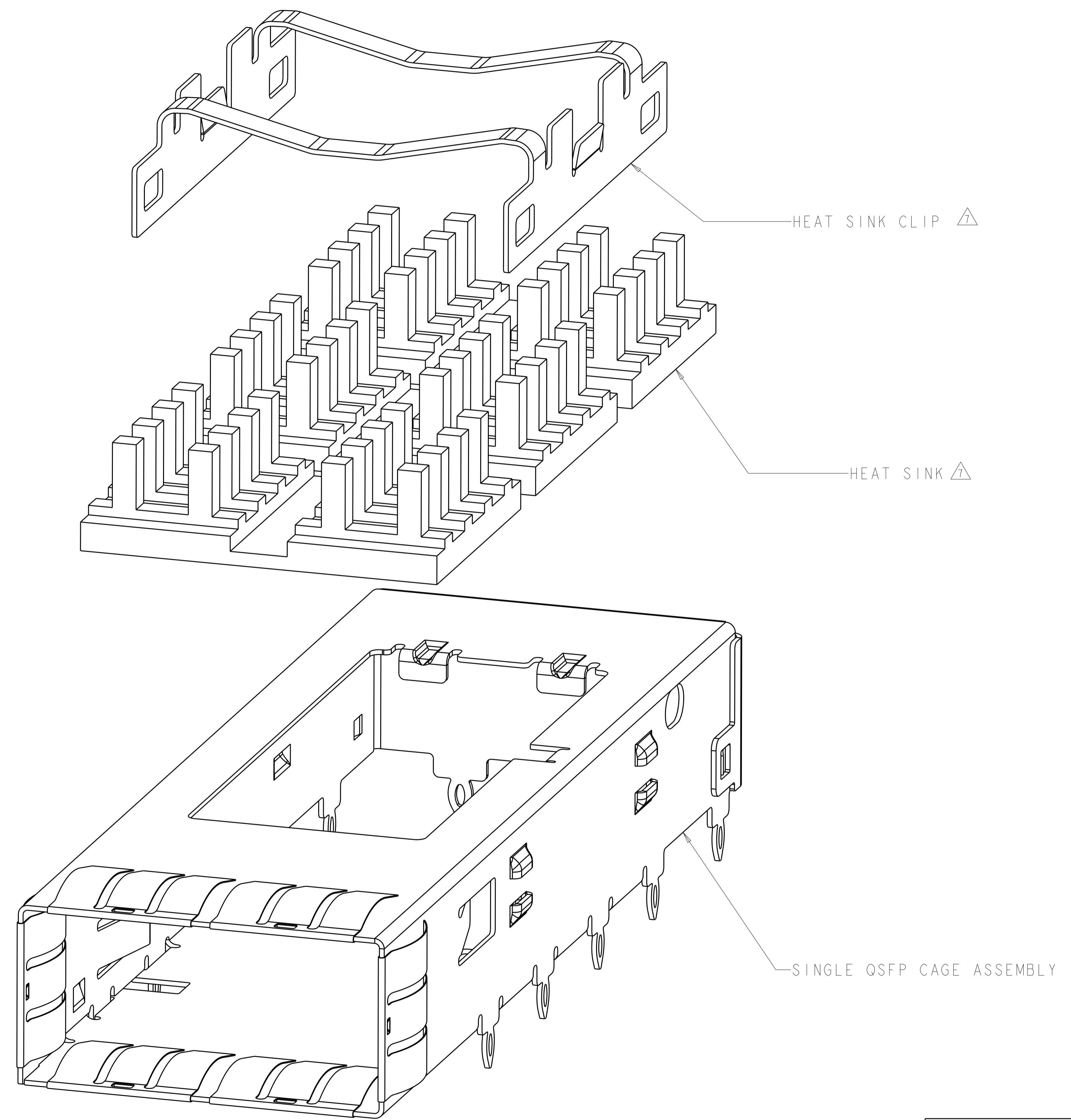
SCALE 4:1

UNSPECIFIED DIMENSIONS REFER 1888631-1

CUSTOMIZED HEAT SINK	1888631-5
DESCRIPTION	PART NUMBER

THIS DRAWING IS A CONTROLLED DOCUMENT.		OWN B. MCMASTER OTSEP06	TE Connectivity NAME CAGE ASSEMBLY, THRU BEZEL, OSFP, WITH HEAT SINK
DIMENSIONS:		CHK E. J. BRIGHT OTSEP06	
TOLERANCES UNLESS OTHERWISE SPECIFIED:		APVD E. J. BRIGHT OTSEP06	
mm		PRODUCT SPEC	
0 PLC	±	108-2286	APPLICATION SPEC
1 PLC	±0.25	114-13217	RESTRICTED TO
2 PLC	±0.13	WEIGHT	A100779C=1888631
3 PLC	±	CUSTOMER DRAWING	SCALE 4:1 SHEET 3 OF 6 REV D1
4 PLC	±		
ANGLES	±		
FINISH	-		

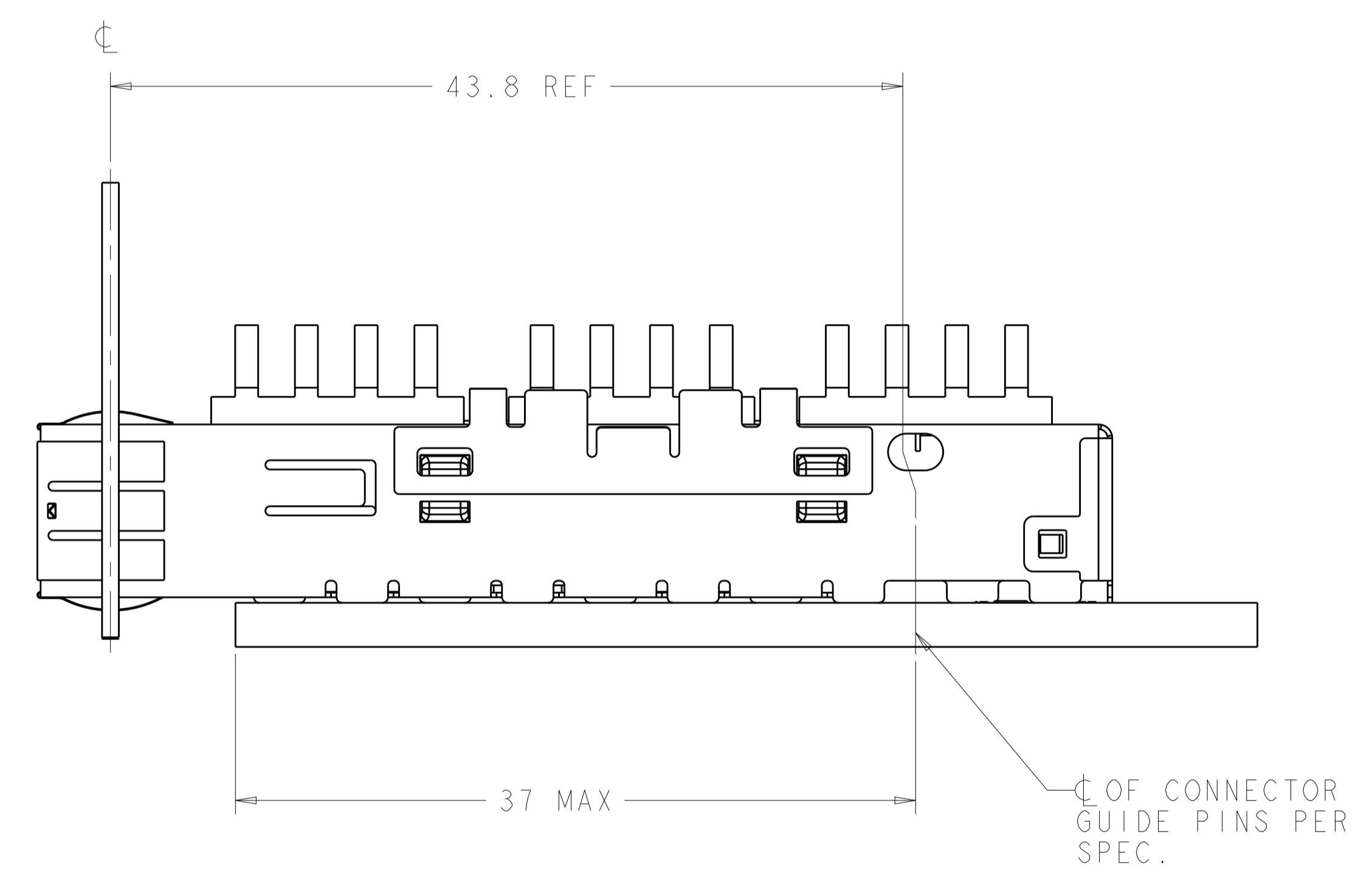
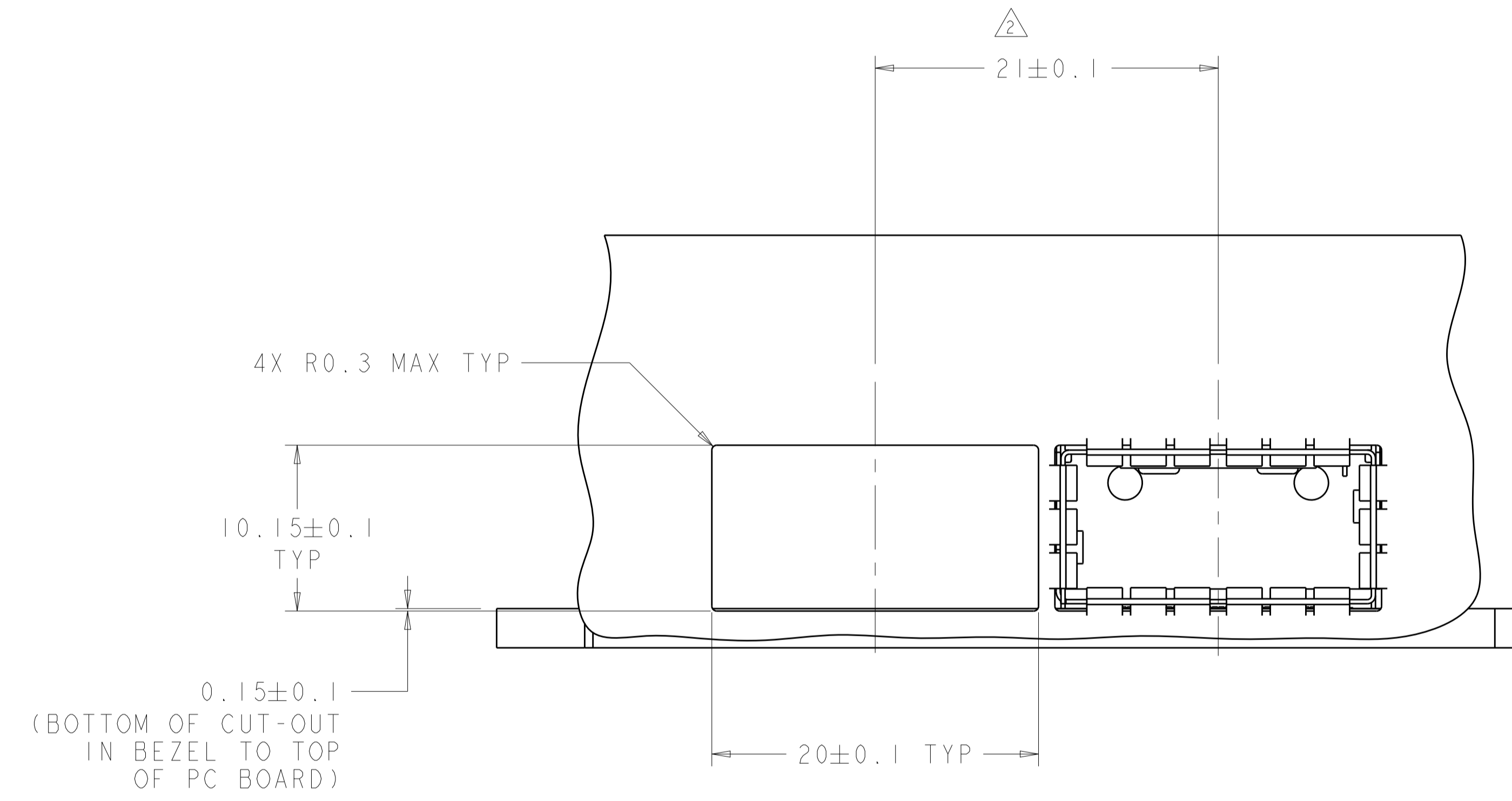
REVISIONS				
P.	LTN	DESCRIPTION	DATE	APVD
-	-	SEE SHEET 1	-	-



EXPLODED ASSEMBLY
SCALE 8:1

THIS DRAWING IS A CONTROLLED DOCUMENT.		DWN B. MCMASTER OTSEP06 CHK E. J. BRIGHT OTSEP06 APVD E. J. BRIGHT OTSEP06	TE Connectivity NAME CAGE ASSEMBLY, THRU BEZEL, QSPF, WITH HEAT SINK
DIMENSIONS: mm	TOLERANCES UNLESS OTHERWISE SPECIFIED: 0 PLC ± 1 PLC ±0.25 2 PLC ±0.13 3 PLC ± 4 PLC ± ANGLES ±	PRODUCT SPEC 108-2286 APPLICATION SPEC 114-13217 WEIGHT -	
MATERIAL	FINISH	CUSTOMER DRAWING	SCALE 4:1 SHEET 4 OF 6 REV D1

REVISIONS					
P.	LTN	DESCRIPTION	DATE	DMN	APVD
-	-	SEE SHEET 1	-	-	-



THIS DRAWING IS A CONTROLLED DOCUMENT.		DMN: B. MCMASTER 0TSEP06	TE Connectivity
DIMENSIONS: mm		CHK: E. J. BRIGHT 0TSEP06	
TOLERANCES UNLESS OTHERWISE SPECIFIED:		APVD: E. J. BRIGHT 0TSEP06	NAME: CAGE ASSEMBLY, THRU BEZEL, OSFP, WITH HEAT SINK
0 PLC ±	1 PLC ±0.25	PRODUCT SPEC: 108-2286	SIZE: A100779
2 PLC ±0.13	3 PLC ±	APPLICATION SPEC: 114-13217	CAGE CODE: C=1888631
4 PLC ±	ANGLES ±	WEIGHT: -	RESTRICTED TO: -
MATERIAL: -	FINISH: -	CUSTOMER DRAWING	SCALE: 4:1 SHEET 5 OF 6 REV: D1

