

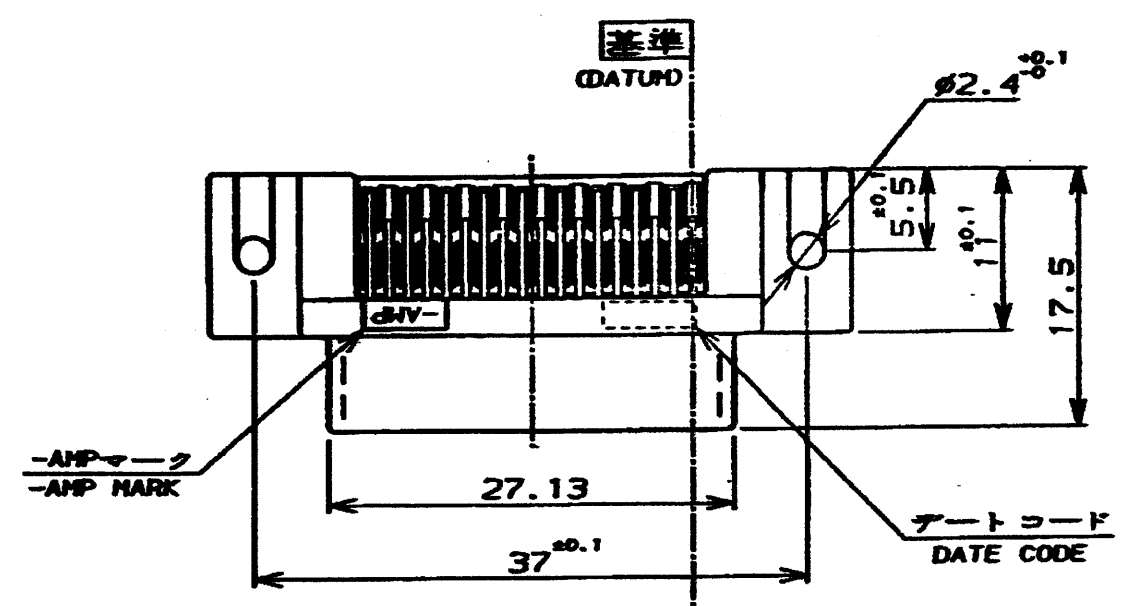
C-5178647

3-D ANGLE PROJECTION

METRIC

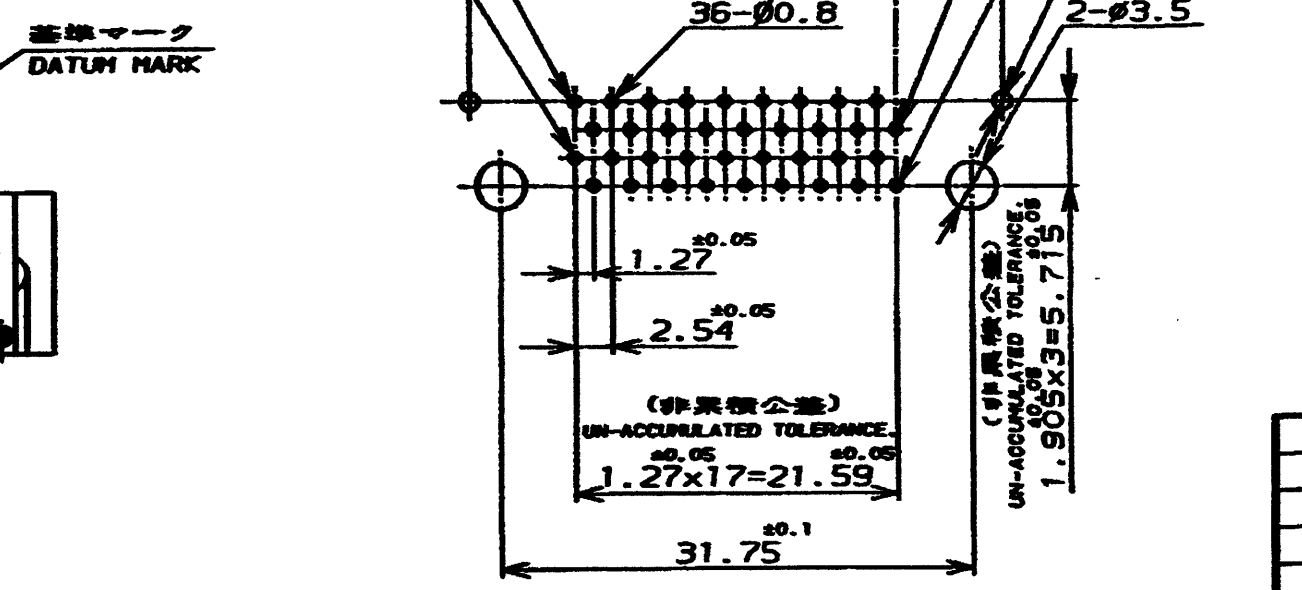
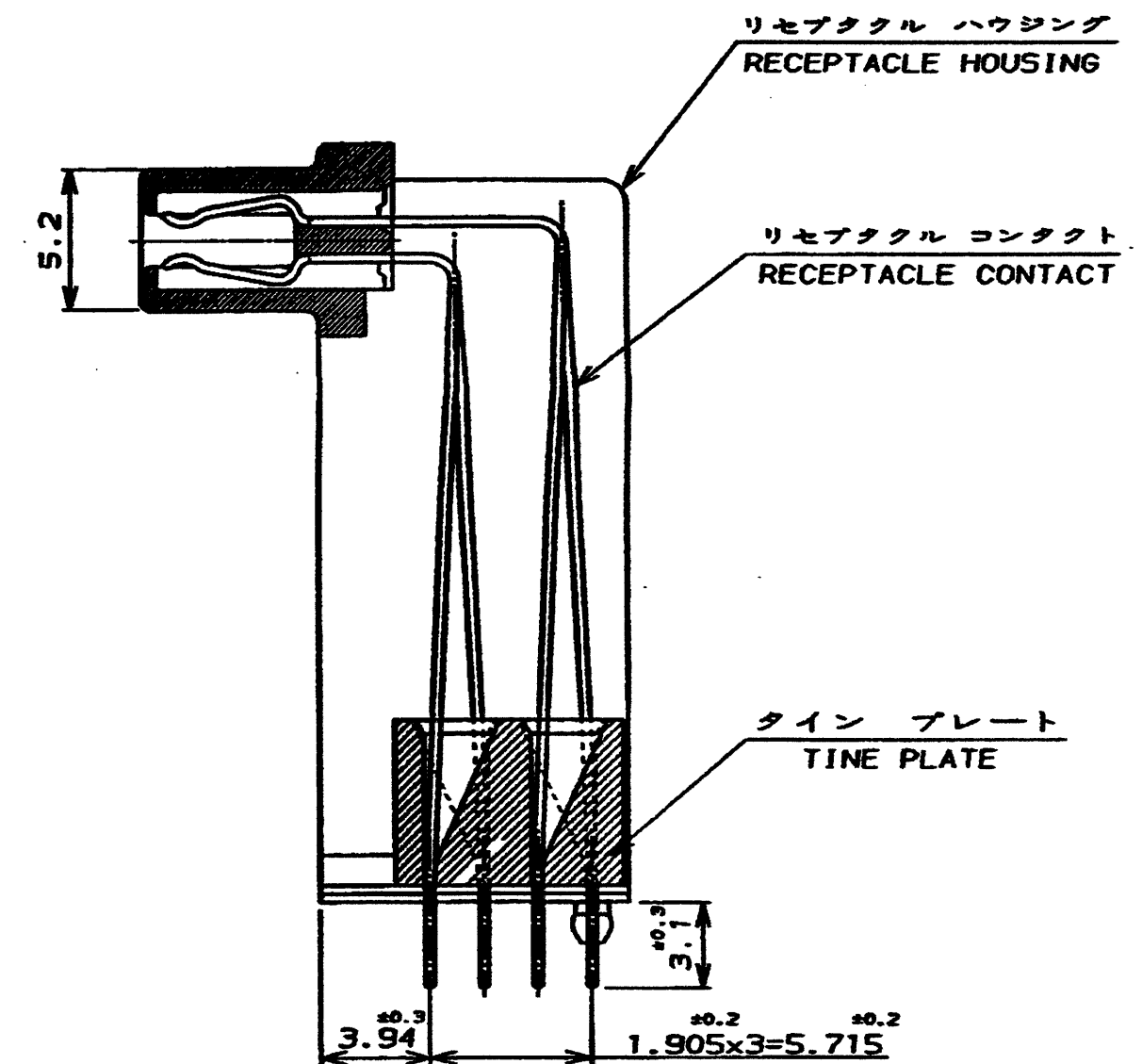
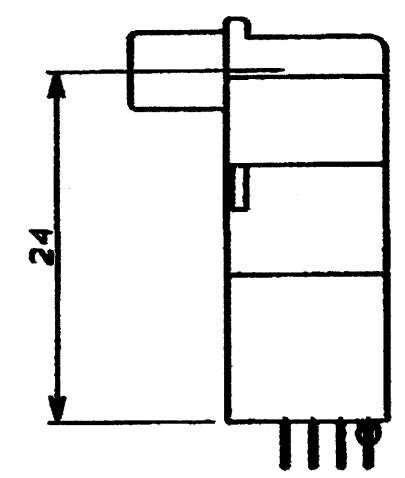
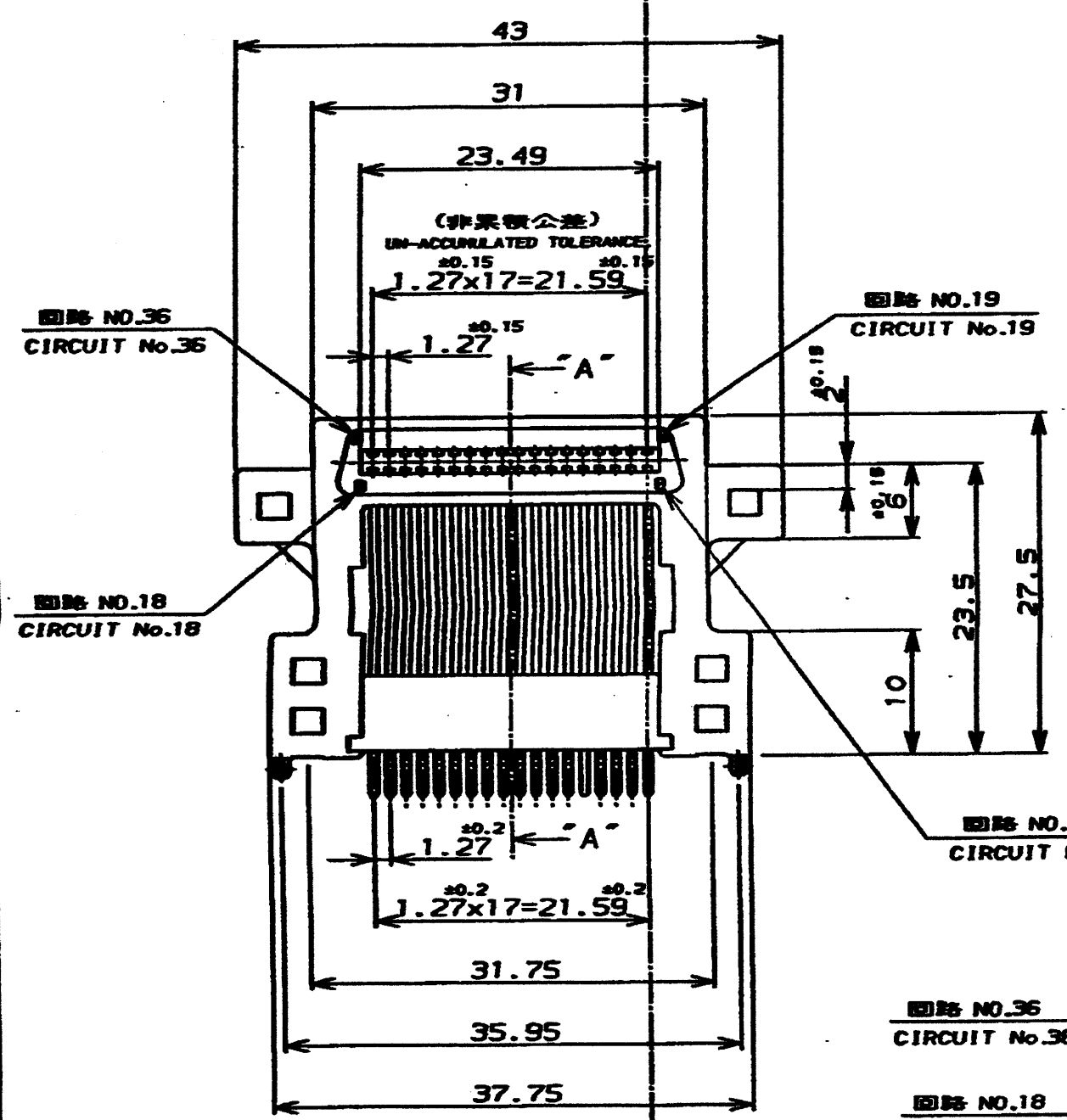
PRINT, DIST. DIMENSIONS IN MILLIMETERS. DO NOT SCALE PRINT

LEAD FREE



NOTES:

- 1. NUMBER "n" IS COUNTED FROM DATUM
- MATERIAL: HOUSING, AND TINE PLATE: 66 NYLON (GF) UL 94V-0, BLACK. CONTACT, PHOSPHOR BRONZE.
- FINISH: Au AT CONTACT AREA (SEE TABLE), TIN AT TINE, OVER Ni.
- FOR SECURING CONNECTOR, USE CROSS-RECESSED PAN HEAD TAPPING SCREW CLASS 2, M3x8mm. (SCREW-IN TORQUE TO BE 4Kgm MAX.)



基板穴位置 P.C.B HOLE LAYOUT (コネクタ搭載面) (CONN' MOUNT. SIDE)

36	0.2 μ	5178647-4
POS	Au PLATE	P/N

tyco Tyco Electronics AMP K.K. Kawasaki, Japan

WIRE RANGE		INSULATION DIA		NAME	
MATERIAL		FINISH		GENERAL TOLERANCE	
O ACTIVATE FJ80-0871-04		LZ IE Oct 8 '04		DR. LEO ZHOU Oct 8 '04	
LTR REVISION RECORD		DR CHK DATE		CHK STEVEN YAO Oct 8 '04	
APP. IENOMOTO Oct 8 '04		SCALE		SIZE LOC NUMBER	
0<=c<10 : ± 0.2		10<=c<30 : ± 0.25		30<=c<100 : ± 0.3	
ANGLES : $\pm 3^\circ$		2-1		A2 J C-5178647	
		REV. 0		SHEET 1 OF 1	

CUSTOMER DRAWING