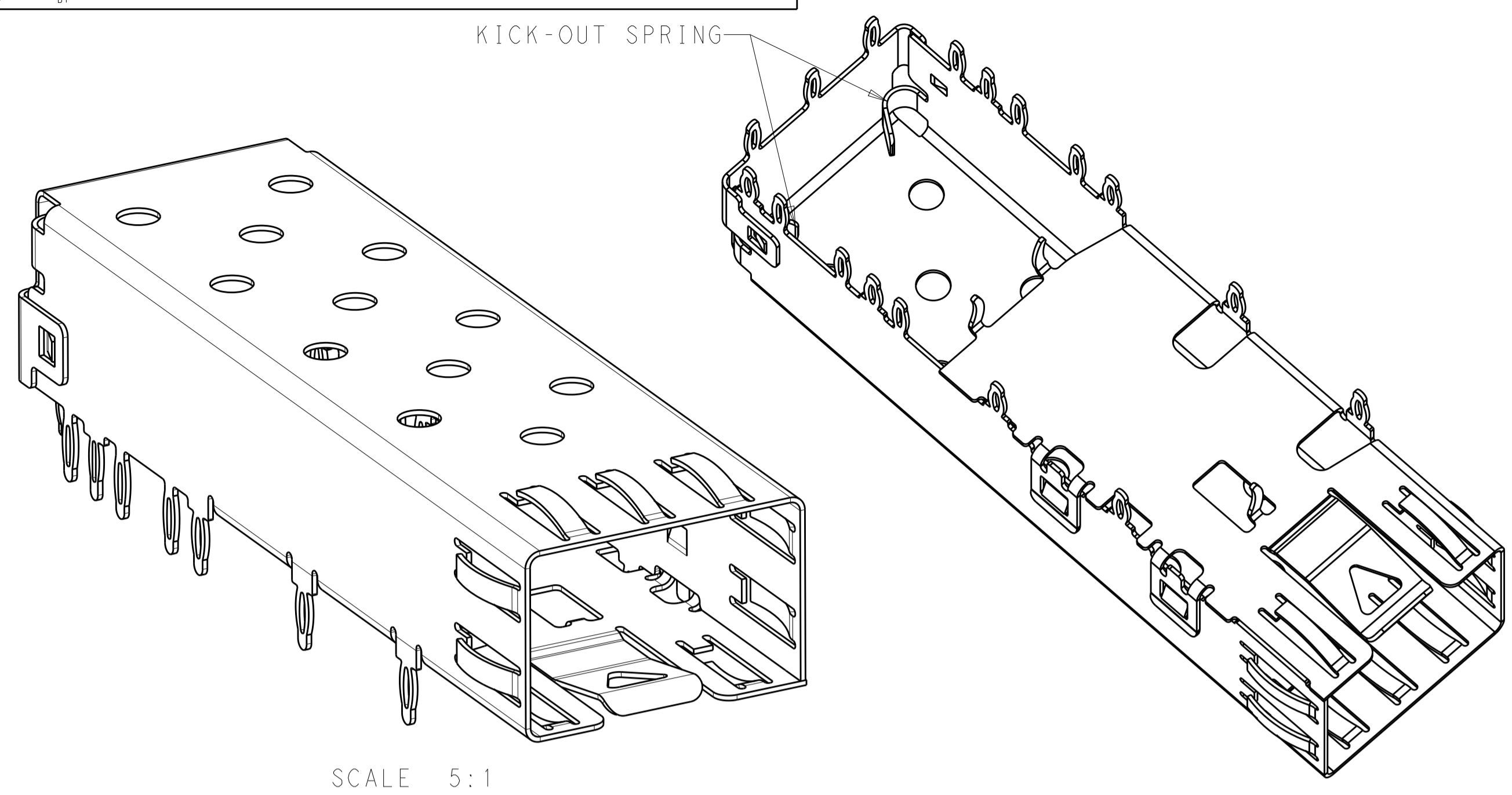


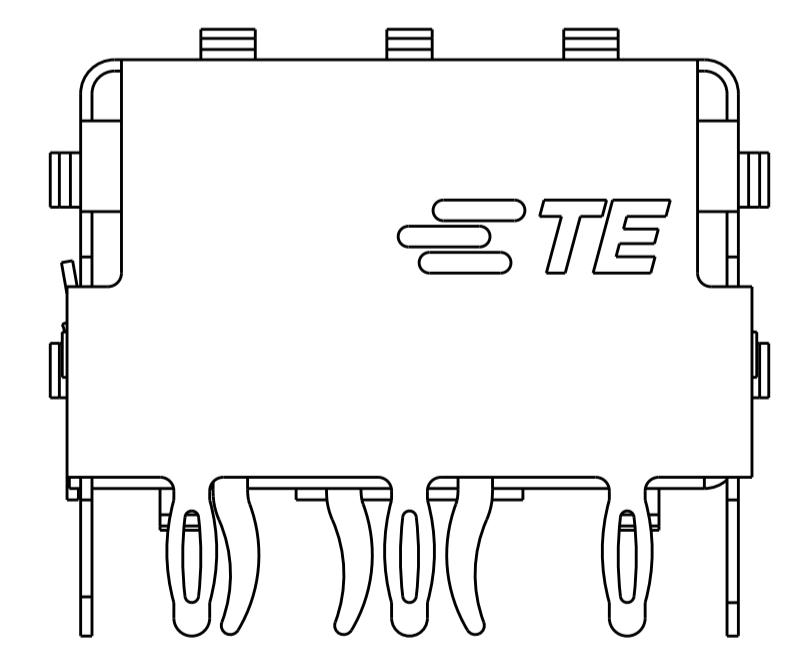
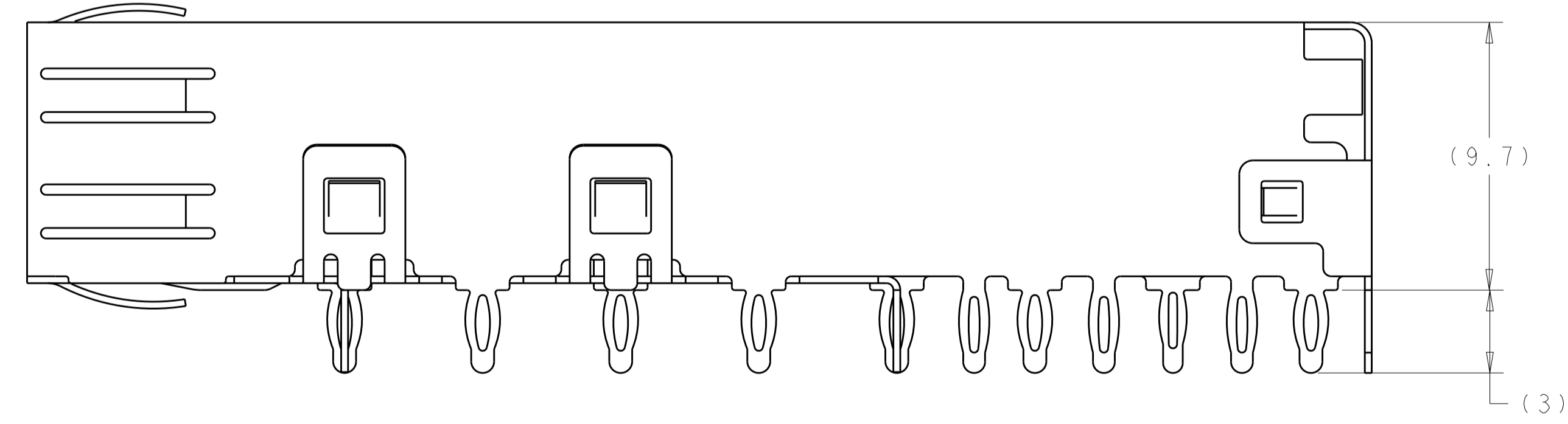
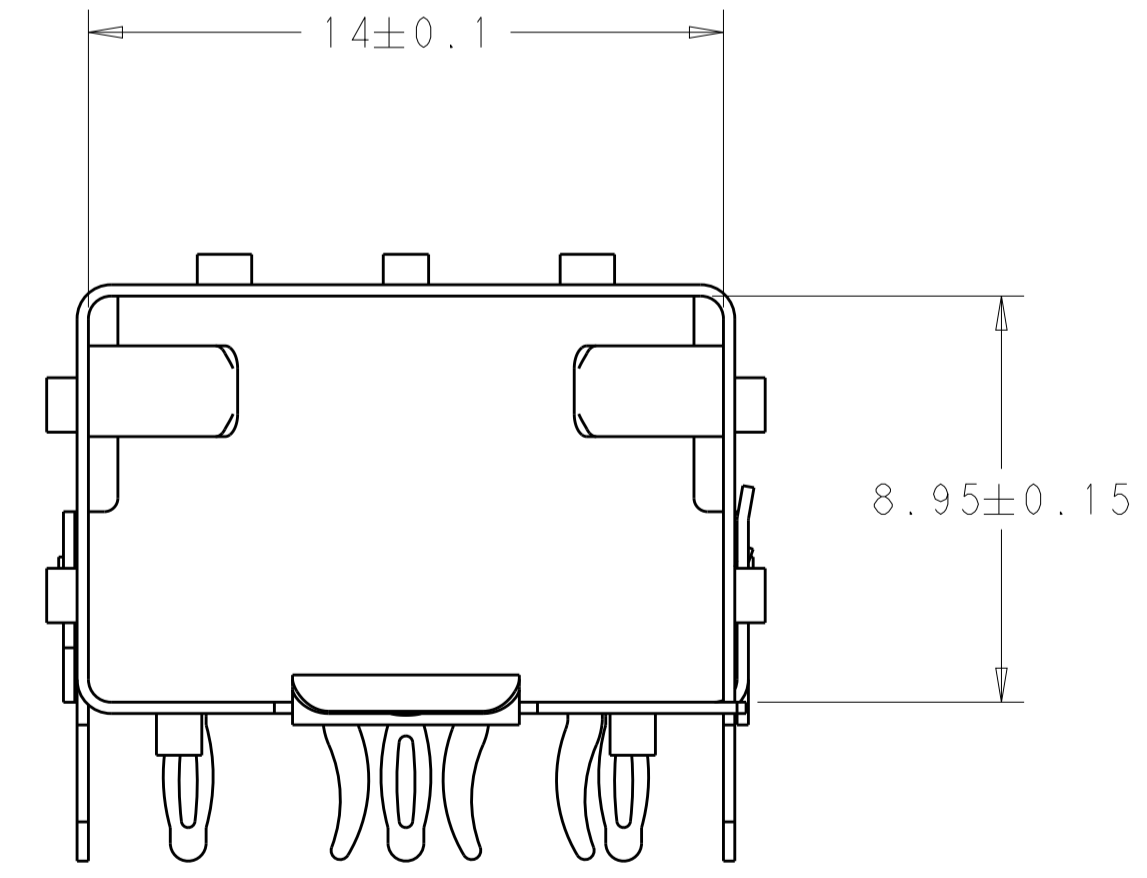
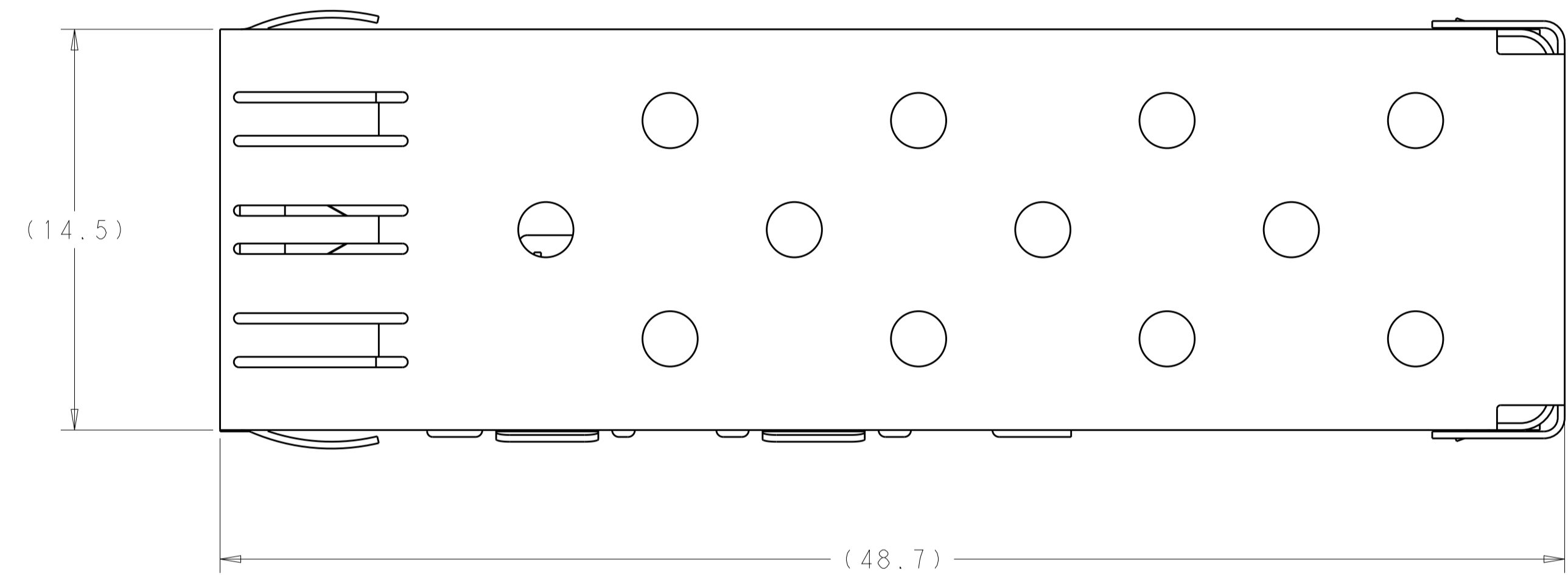
LOC	DIST	REVISIONS					
		P	LTN	DESCRIPTION	DATE	DWN	APVD
GP	00	A		INITIAL RELEASE	20APR2014	CW	SH
		B		ADD-3	25OCT2016	PP	SH



SCALE 5:1

SCALE 4:1

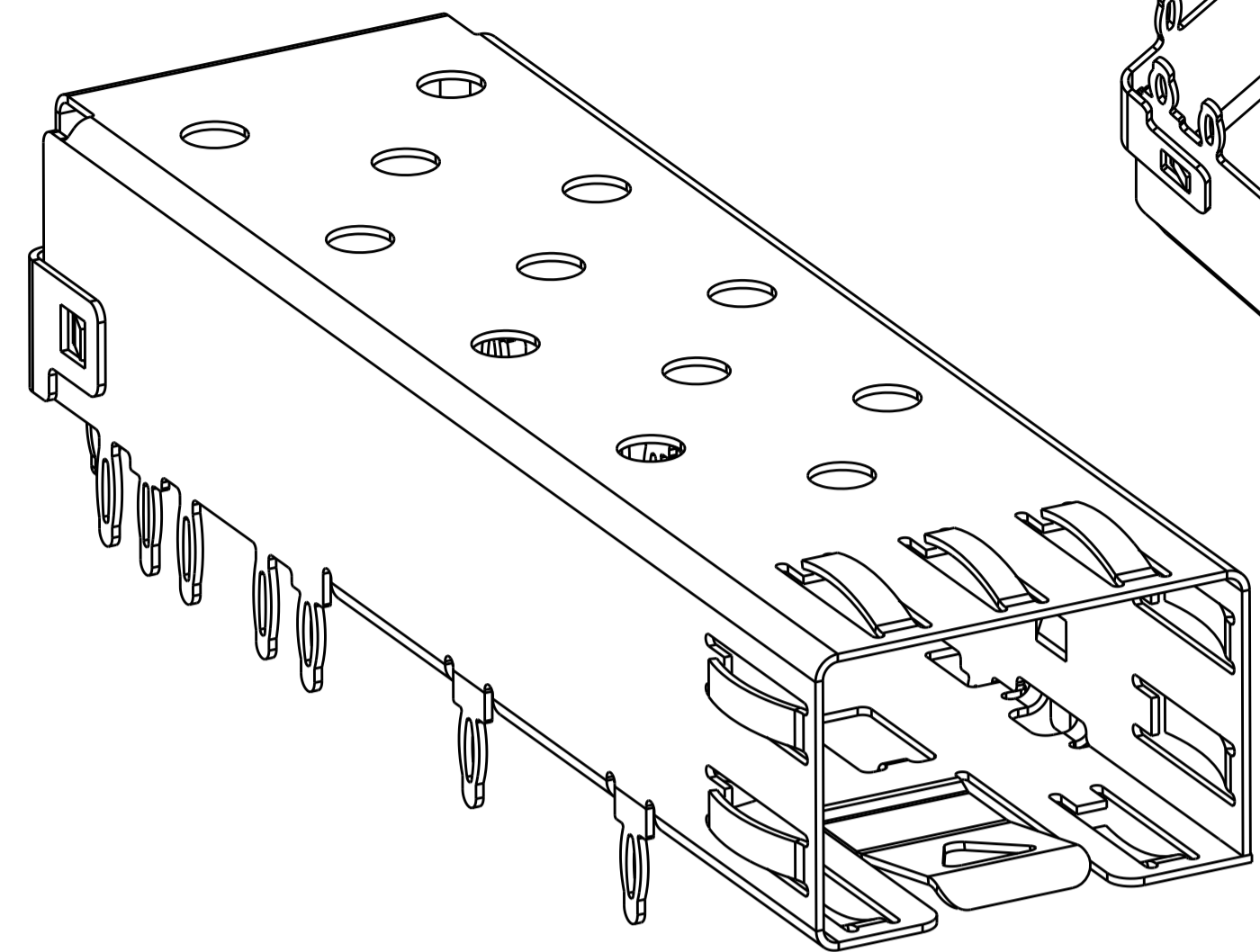
- 1 MATERIAL: 0.25mm THICK STAINLESS STEEL.
- 2 FINISH: NICKEL, NON PLATED EDGES PERMISSIBLE.
- 3. MATES WITH SFP MSA COMPLIANT TRANSCEIVERS.
- 4 PADS AND VIAS CHASSIS GROUND.
- 5 DATUM AND BASIC DIMENSION ESTABLISHED BY CUSTOMER.
- 6. MINIMUM PC BOARD THICKNESS:
SINGLE SIDED = 1.50 mm
- 7 REFERENCE APPLICATION SPEC. 114-13120, HOLE A, FOR
RECOMMENDED DRILL HOLE DIAMETER AND PLATING THICKNESS(EXCEPT IMMERSION SILVER PLATING).
- 8 REFERENCE APPLICATION SPEC. 114-13120, HOLE C, FOR
RECOMMENDED DRILL HOLE DIAMETER AND PLATING THICKNESS(EXCEPT IMMERSION SILVER PLATING).
- 9. THE RECOMMENDED DIMENSIONS FOR HOLES ON PAGE 2/2 ARE NOT COMPATIBLE WITH IMMERSION SILVER PLATING HOLES
BECAUSE OF OVERLARGE INSERTION FORCE.



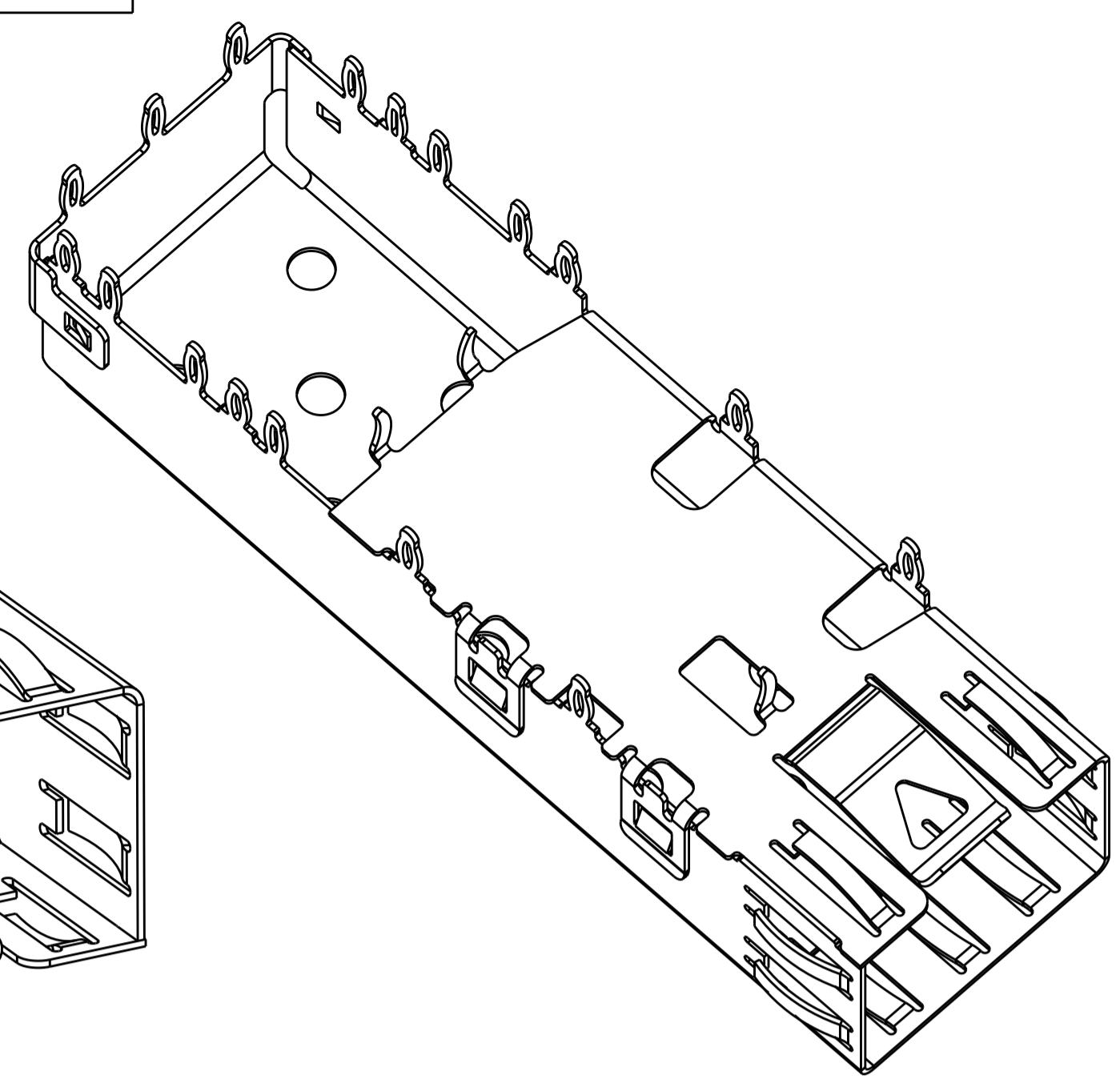
WITHOUT KICK-OUT SPRING(PAGE 2)	2227023-3
WITH KICK-OUT SPRING(PAGE 1)	2227023-1
DESCRIPTION	PART NUMBER

THIS DRAWING IS A CONTROLLED DOCUMENT. DIMENSIONING AND TOLERANCING PER ASME Y14.5M-2009.		DWN C. VALENTINE 07NOV2012	APVD M. SCHMITT 07NOV2012	NAME SFP, 1X1 SINGLE PIECE CAGE, PRESS FIT
DIMENSIONS:	TOLERANCES UNLESS OTHERWISE SPECIFIED:	CHK M. SCHMITT 07NOV2012	PRODUCT SPEC 108-1950	RESTRICTED TO
mm	0 PLC ± 1 PLC ±0.2 2 PLC ±0.1 3 PLC ±0.1 4 PLC ± ANGLES ±	APVD M. SCHMITT 07NOV2012	APPLICATION SPEC 114-13120	SIZE A100779
MATERIAL	FINISH	WEIGHT	CAGE CODE C=2227023	SCALE 6:1
			CUSTOMER DRAWING	SHEET 1 OF 3 REV B

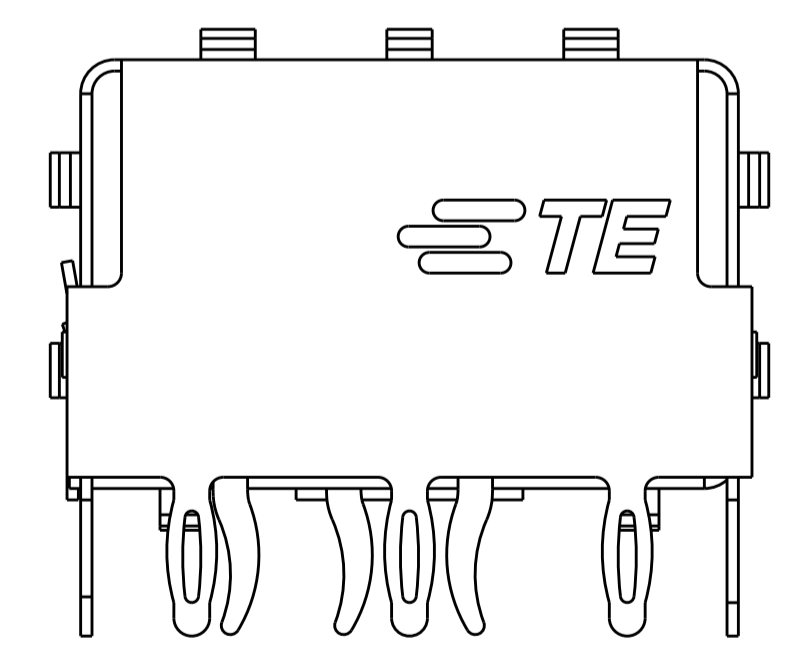
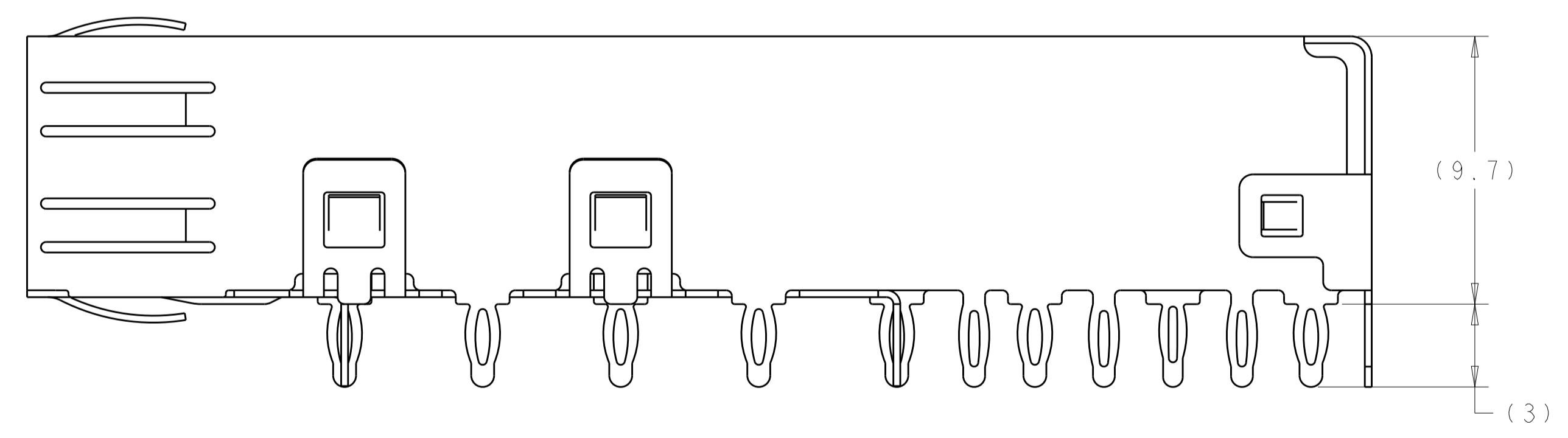
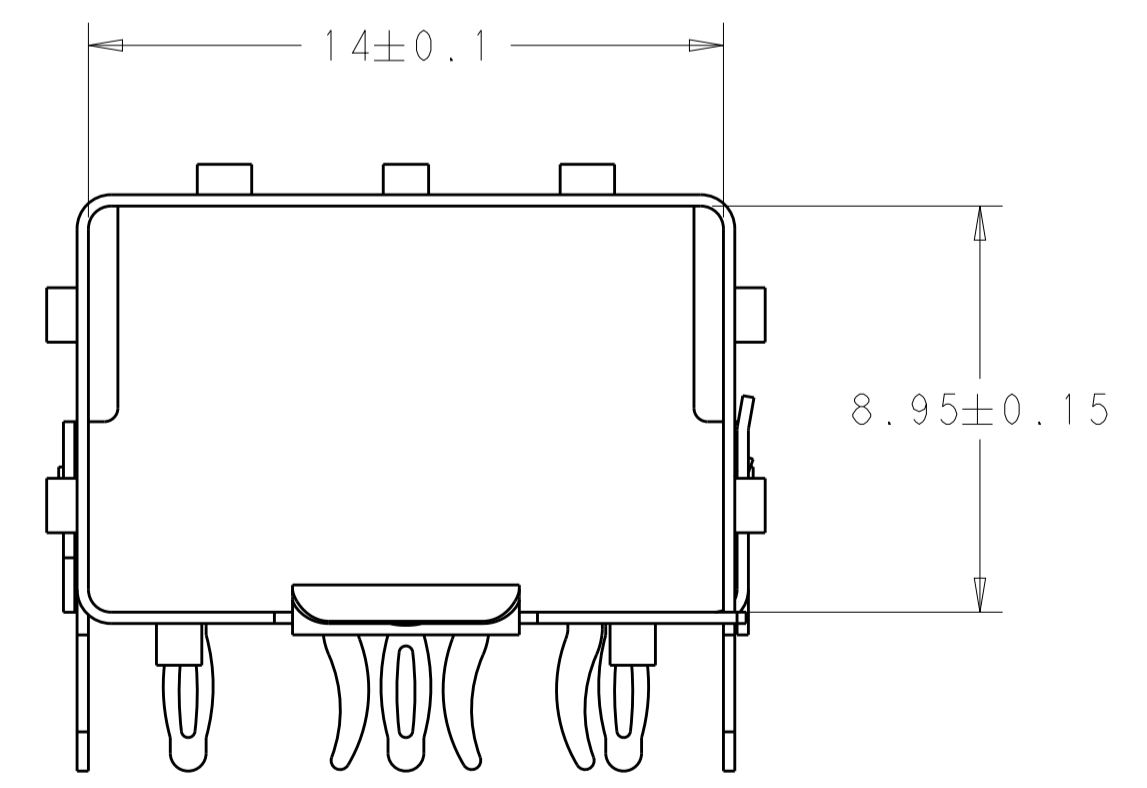
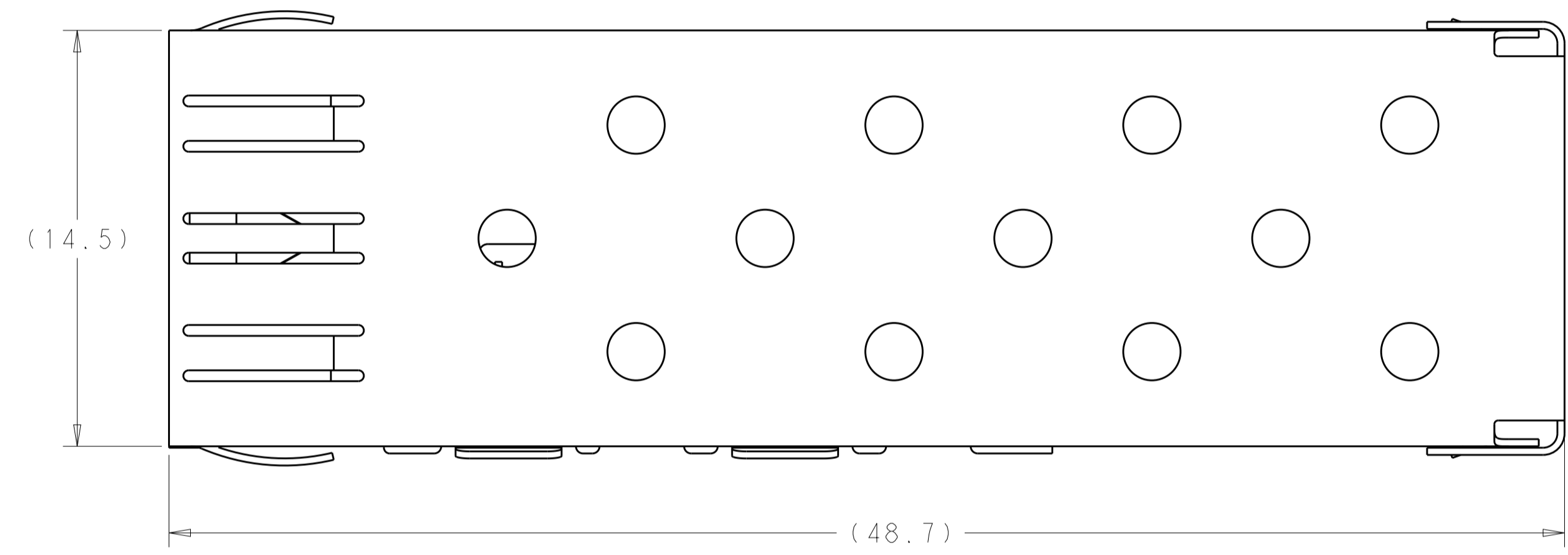
LOC		DIST		REVISIONS			
P.	LTN	DESCRIPTION	DATE	DWN	APVD		
-	-	SEE SHEET 1	-	-	-		



SCALE 5:1

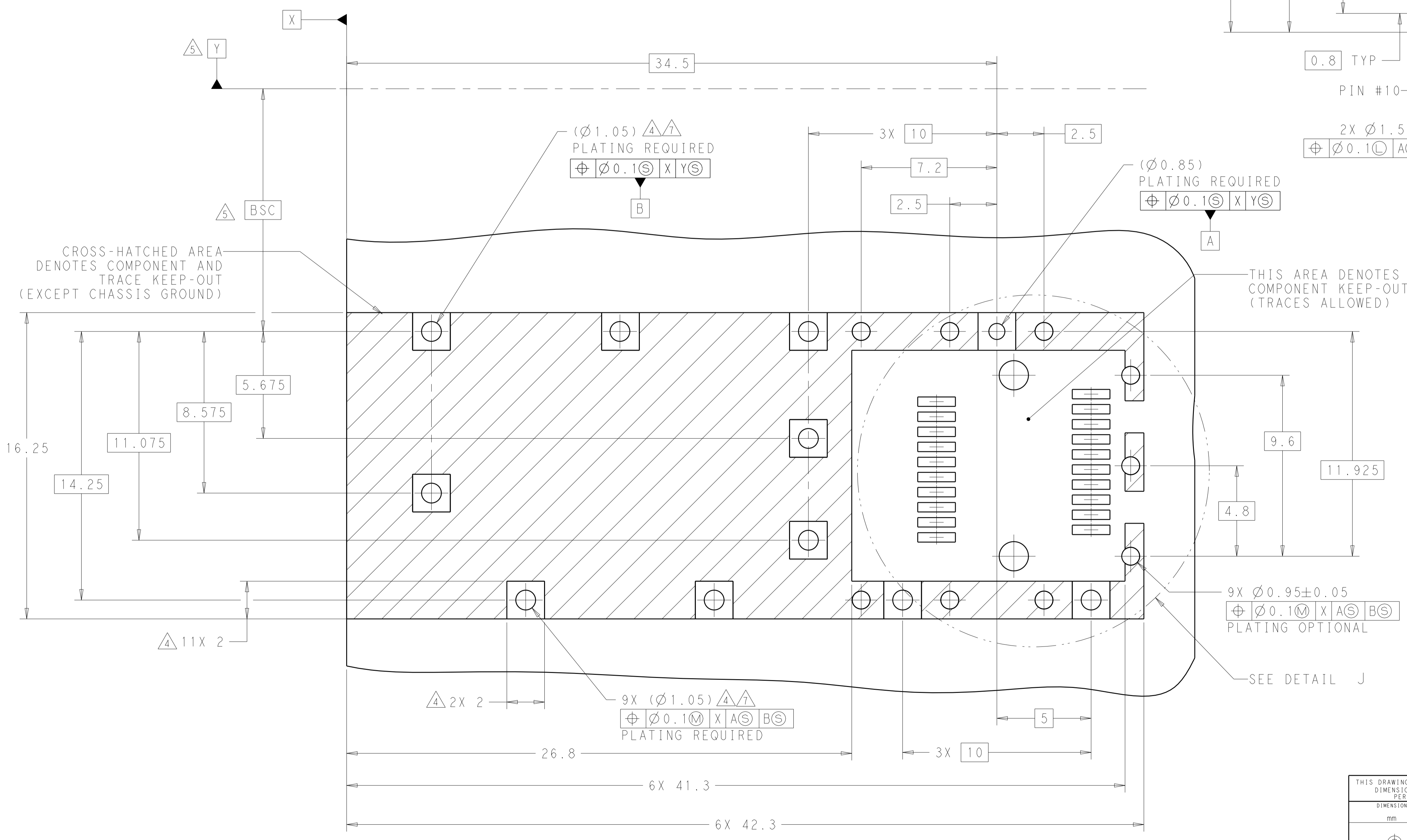
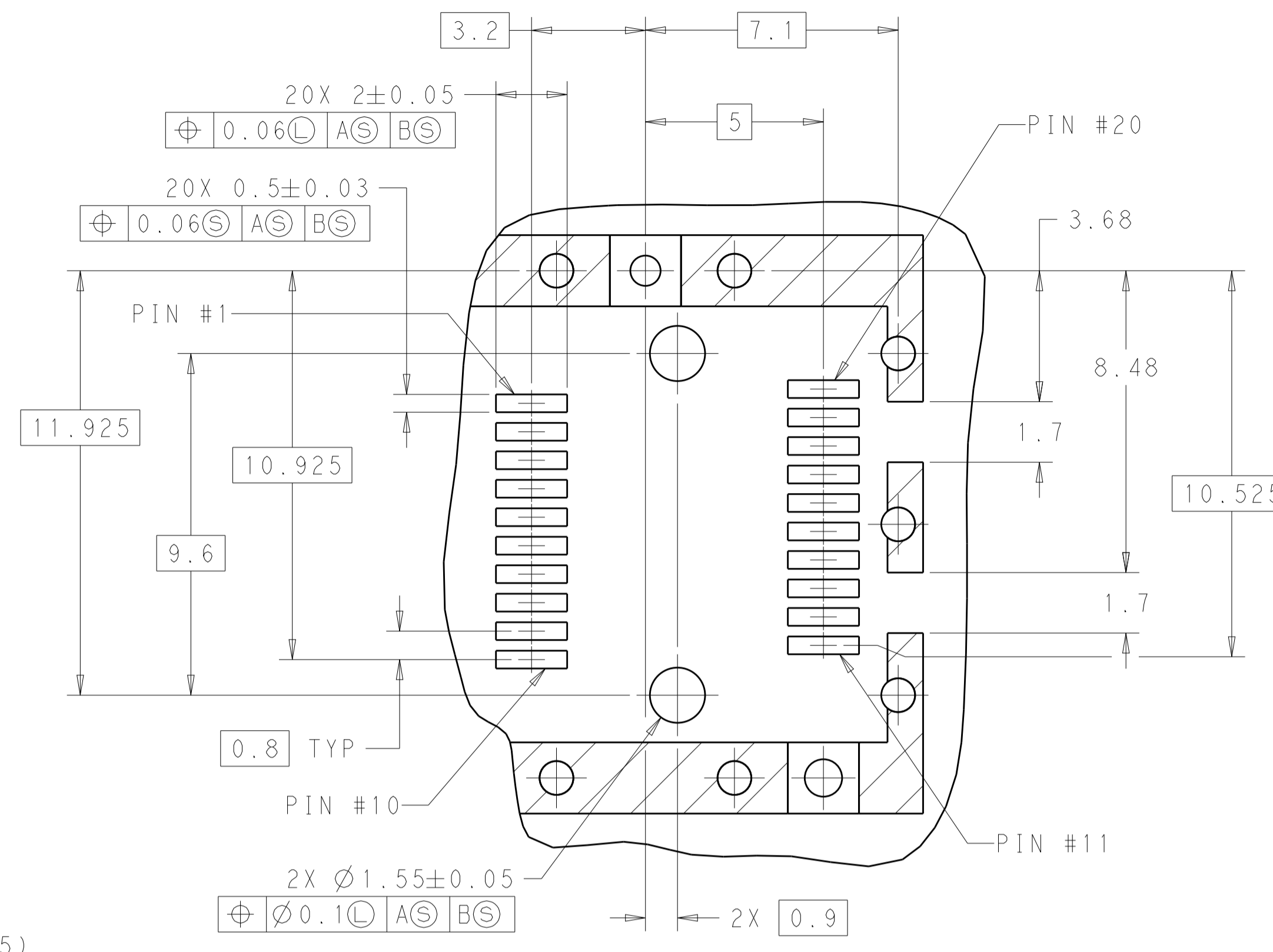
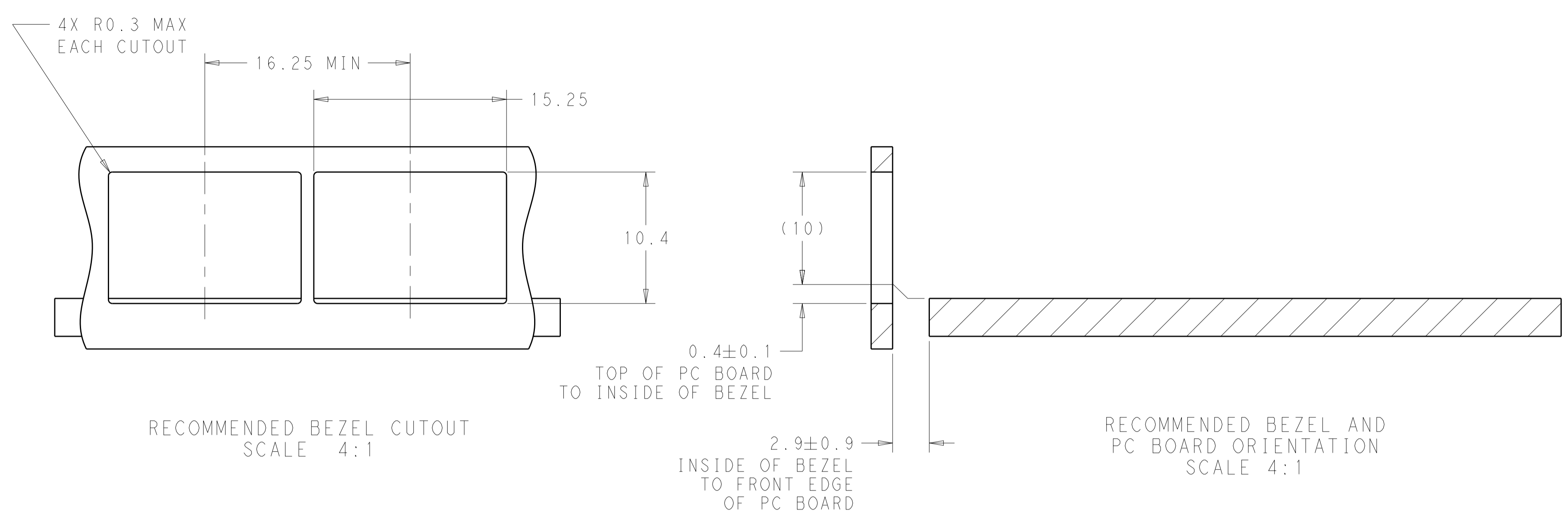


SCALE 4:1



THIS DRAWING IS A CONTROLLED DOCUMENT.		DWN C. VALENTIN 07NOV2012	TE Connectivity
DIMENSIONS:		CHK M. SCHMITT 07NOV2012	
mm	TOLERANCES UNLESS OTHERWISE SPECIFIED:	APVD M. SCHMITT 07NOV2012	NAME SFP, 1X1 SINGLE PIECE CAGE, PRESS FIT
0 PLC	±	PRODUCT SPEC	SIZE
1 PLC	±0.2	108-1950	CAGE CODE
2 PLC	±0.1	APPLICATION SPEC	DRAWING NO
3 PLC	±0.1	114-13120	RESTRICTED TO
4 PLC	±	WEIGHT	A100779C=2227023
ANGLES	±	Customer Drawing	SCALE 6:1 SHEET 2 OF 3 REV B
MATERIAL	FINISH		

LOC	DIST	REV	DESCRIPTION	DATE	DWN	APVD
GP	00		SEE SHEET 1			



THIS DRAWING IS A CONTROLLED DOCUMENT. DIMENSIONING AND TOLERANCING PER ASME Y14.5M-2009		DWN: C. VALENTINE 07NOV2012 CHK: M. SCHMITT 07NOV2012 APVD: M. SCHMITT 07NOV2012	NAME: SFP, 1X1 SINGLE PIECE CAGE, PRESS FIT
DIMENSIONS: mm	TOLERANCES UNLESS OTHERWISE SPECIFIED:	PRODUCT SPEC: 108-1950	SIZE: A1
0 PLC ±0.2	1 PLC ±0.1	APPLICATION SPEC: 114-13120	RESTRICTED TO: -
2 PLC ±0.1	3 PLC ±0.1	WEIGHT: -	SCALE: 1:1
4 PLC ±0.1	ANGLES ±0.1	CUSTOMER DRAWING	SHEET 3 OF 3
MATERIAL: -	FINISH: -	SCALE: 1:1	REV: B