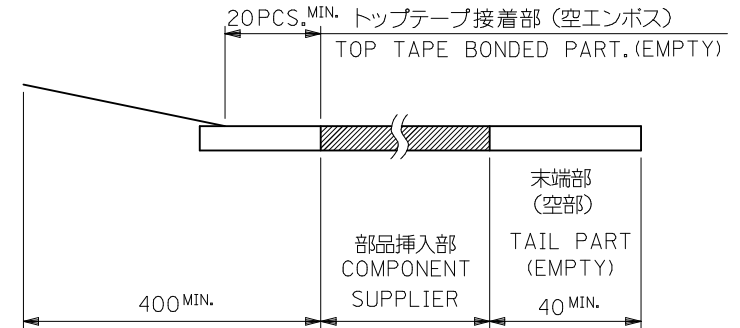


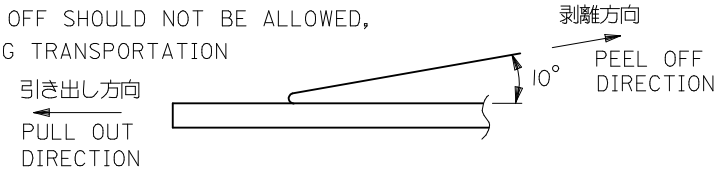
注記 NOTES

- 製品番号 52559-\*\*17 の梱包状態はアクチュエータがロックした状態とする。  
詳細寸法については図面 SD-52559-044 を参照下さい。  
IN THE PACKAGE,ACTUATOR OF PART NO.52559-\*\*17 SHOULD BE LOCKED RE DETAILED DIMENSIONS,SEE SD-52559-044
- 梱包数量：1000個/リール  
NUMBER OF CONNECTORS:1000PCS/REEL
- リードテープ長さ LEAD TAPE LENGTH

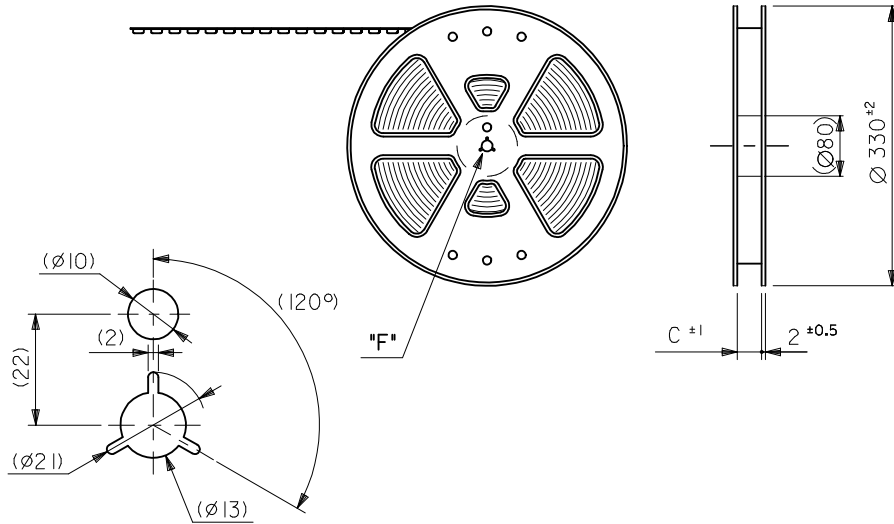


- トップテープの剥離強度：(剥離方向は下図参照)  
0.1N~0.7N(10.2gf~71.4gf)尚、本規格値は、出荷時に適用。  
(但し、輸送時に剥離が発生しない事。)

PEELING OFF FORCE OF TOP TAPE  
0.1N~0.7N(10.2gf~71.4gf)(PEELING DIRECTION AS SHOWN IN FOLLOWING FIG.)  
THIS REQUIREMENT SHOULD BE APPLIED AT SHIPMENT  
PEEL OFF SHOULD NOT BE ALLOWED,  
DURING TRANSPORTATION



引き出し方向  
PULL OUT  
DIRECTION

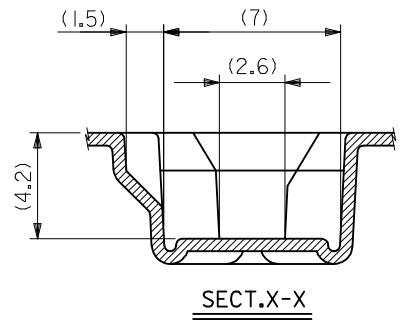
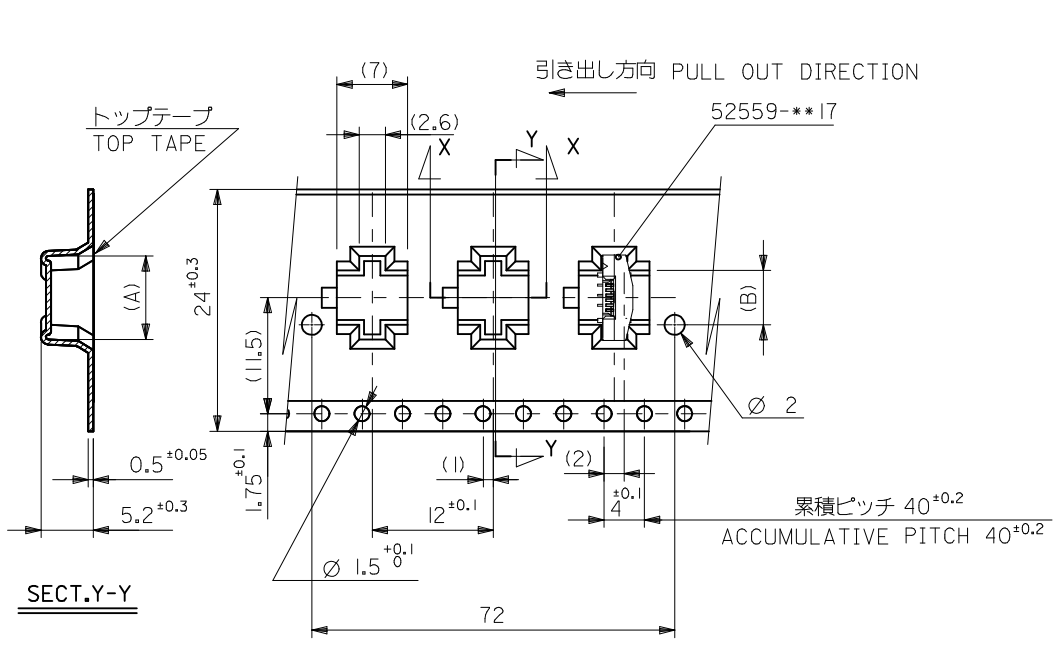


DETAIL "F"

- 材料  
キャリアテープ：ポリプロピレン (PP)  
トップテープ：PET, PE, PEF  
リール：ポリスチレン (PS) <リサイクル材を含む>

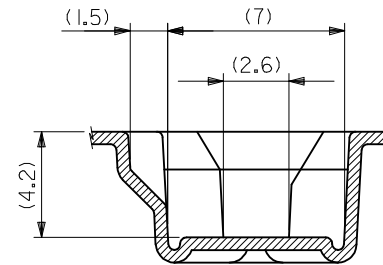
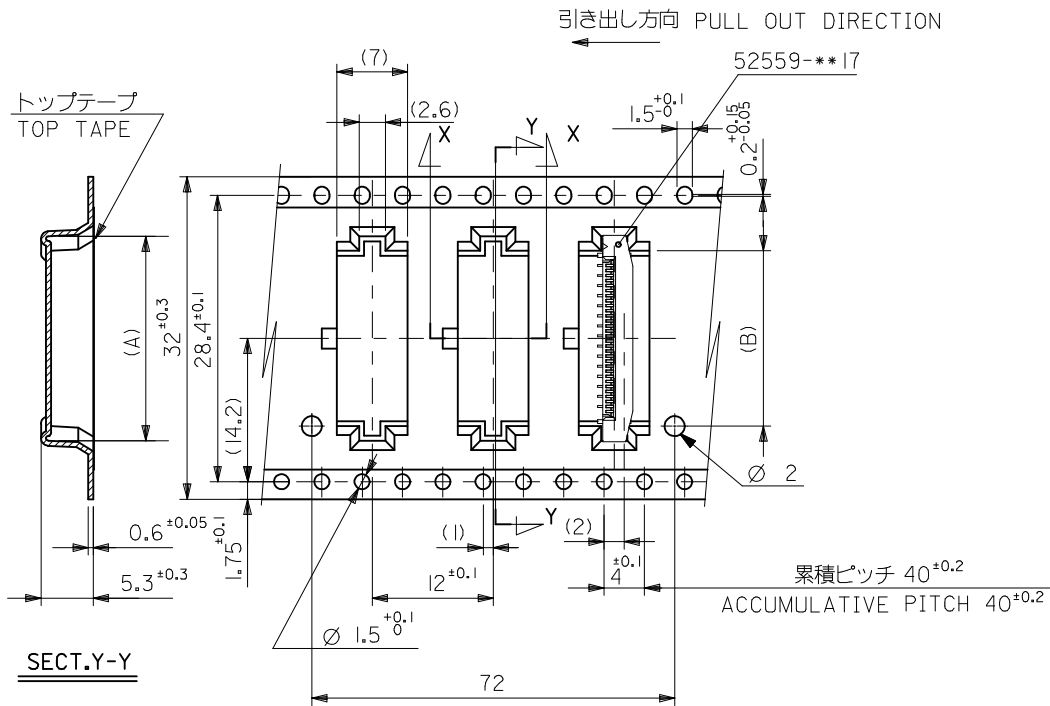
MATERIAL CARRIER TAPE:POLYPROPYLENE  
TOP TAPE:PET,PE,PEF  
REEL:POLYSTYREN(PS)  
<RECYCLE MATERIAL CONTAINED>

REVISED EC NO: J2016-0380 DRAWN:SANUMA 2015/10/15 CHKD:KAKAHASHI 2015/10/16 APPR:YNOGAWA 2015/11/09	GENERAL TOLERANCES (UNLESS SPECIFIED)		DIMENSION STYLE MM ONLY		SCALE ---	DESIGN UNITS METRIC	THIRD ANGLE PROJECTION
	0.25 UNDER	UNDER	±0.03	DRAWN BY M.SHIMIZU	DATE 2000/12/20	TITLE 0.5 FPC CONN ASSY ZIF SMT ST EMBSTP PKG	
	0.25 OVER	0.5 UNDER	±0.05	CHECKED BY	DATE	molex DOCUMENT NO. SD-52559-054 SHEET NO. 1 OF 3	
	0.5 OVER	1.0 UNDER	±0.1	S.KUNISHI	2000/12/20		
1.0 OVER	10 UNDER	±0.2	APPROVED BY	DATE			
10 OVER	30 UNDER	±0.25	M.FUKUSHIMA	2000/12/20			
30 OVER		±0.3	MATERIAL NO. SEE SHEET 2,3				
ANGULAR ±3 °			SIZE A3		THIS DRAWING CONTAINS INFORMATION THAT IS PROPRIETARY TO MOLEX INCORPORATED AND SHOULD NOT BE USED WITHOUT WRITTEN PERMISSION		
DRAFT WHERE APPLICABLE MUST REMAIN WITHIN DIMENSIONS							



24	25.5	5.4	8.3	52559-0692	6
キャリアテープ幅 CARRIER TAPE WIDTH	C	(B)	(A)	ENG. NO.	極数 CIRCUIT

<b>REVISED</b> EC NO: J2016-0380 DRW:NASANUMA 2015/10/15 CHK:D:KAKAHASHI 2015/10/16 APPR:YNOGAWA 2015/11/09	GENERAL TOLERANCES (UNLESS SPECIFIED)		DIMENSION STYLE		SCALE		DESIGN UNITS		THIRD ANGLE PROJECTION	
			MM ONLY		---		METRIC			
	0.25 UNDER	UNDER	±0.03	DRAWN BY	DATE	TITLE				
	0.25 OVER	0.5 UNDER	±0.05	M.SHIMIZU	2000/12/20	0.5 FPC CONN ASSY ZIF SMT ST EMBSTP PKG				
	0.5 OVER	1.0 UNDER	±0.1	S.KUNISHI	2000/12/20					
1.0 OVER	10 UNDER	±0.2	APPROVED BY		DATE	<b>molex</b> DOCUMENT NO. SD-52559-054 SHEET NO. 2 OF 3				
10 OVER	30 UNDER	±0.25	M.FUKUSHIMA		2000/12/20					
30 OVER		±0.3	MATERIAL NO.							
ANGULAR ±3 °			SEE CHART							
DRAFT WHERE APPLICABLE MUST REMAIN WITHIN DIMENSIONS			SIZE	THIS DRAWING CONTAINS INFORMATION THAT IS PROPRIETARY TO MOLEX INCORPORATED AND SHOULD NOT BE USED WITHOUT WRITTEN PERMISSION						
			A3							



SECT.X-X

32mm幅キャリアテープ  
32mm WIDTH CARRIER TAPE

32	33.5	17.4	20.3	52559-3092	30
キャリアテープ幅 CARRIER TAPE WIDTH	C	(B)	(A)	ENG. NO.	極数 CIRCUIT

REVISED EC NO: J2016-0380 DRWN: SANUMA 2015/10/15 CHKD: TAKAHASHI 2015/10/16 APPR: YNOGAWA 2015/11/09	GENERAL TOLERANCES (UNLESS SPECIFIED)		DIMENSION STYLE <b>MM ONLY</b>		SCALE ---		DESIGN UNITS <b>METRIC</b>		THIRD ANGLE PROJECTION		
	0.25 UNDER	UNDER	±0.03	DRAWN BY	DATE	TITLE					
	0.25 OVER	0.5 UNDER	±0.05	M. SHIMIZU	2000/12/20	0.5 FPC CONN ASSY ZIF SMT ST EMBSTP PKG					
	0.5 OVER	1.0 UNDER	±0.1	S. KUNISHI	2000/12/20						
	1.0 OVER	10 UNDER	±0.2	APPROVED BY		DATE	<b>molex</b> DOCUMENT NO. SD-52559-054 SHEET NO. 3 OF 3				
10 OVER	30 UNDER	±0.25	M. FUKUSHIMA		2000/12/20						
30 OVER		±0.3	MATERIAL NO.		SEE CHART						
ANGULAR ±3 °			SIZE <b>A3</b>		THIS DRAWING CONTAINS INFORMATION THAT IS PROPRIETARY TO MOLEX INCORPORATED AND SHOULD NOT BE USED WITHOUT WRITTEN PERMISSION						
DRAFT WHERE APPLICABLE MUST REMAIN WITHIN DIMENSIONS											