

PCN Number:	20130909001			PCN Date:	09/17/2013
Title:	Change 16DW Package Land Pattern Data Sheet				
Customer Contact:	PCN Manager	Phone:	+1(214) 480-6037	Dept:	Quality Services
Change Type:					
<input type="checkbox"/>	Assembly Site	<input type="checkbox"/>	Assembly Process	<input type="checkbox"/>	Assembly Materials
<input type="checkbox"/>	Design	<input checked="" type="checkbox"/>	Electrical Specification	<input type="checkbox"/>	Mechanical Specification
<input type="checkbox"/>	Test Site	<input type="checkbox"/>	Packing/Shipping/Labeling	<input type="checkbox"/>	Test Process
<input type="checkbox"/>	Wafer Bump Site	<input type="checkbox"/>	Wafer Bump Material	<input type="checkbox"/>	Wafer Bump Process
<input type="checkbox"/>	Wafer Fab Site	<input type="checkbox"/>	Wafer Fab Materials	<input type="checkbox"/>	Wafer Fab Process

PCN Details

Description of Change:

The product datasheet(s) is being update to Change 16DW Package Land Pattern for devices that use the following lead frames:

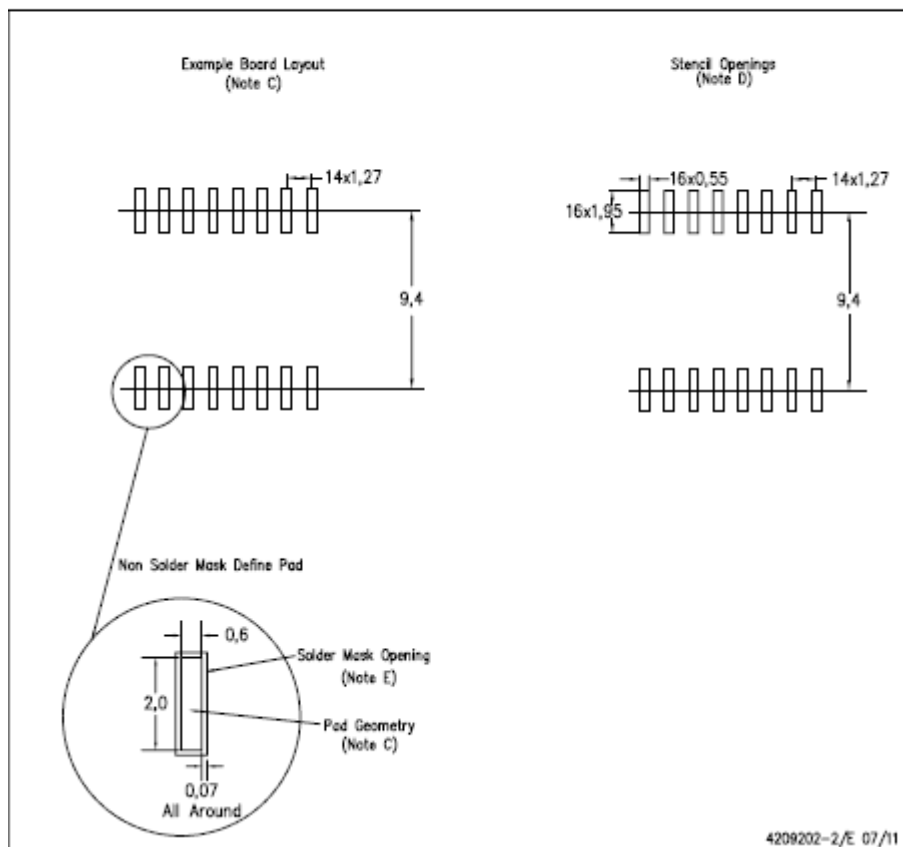
4208605, 4210564, 4210565, 4210908, 4211871, 4212064, 4212365, 4214710, 4218492, 4218346, 4218684, 4212364

Change From:

LAND PATTERN DATA

DW (R-PDSO-G16)

PLASTIC SMALL OUTLINE



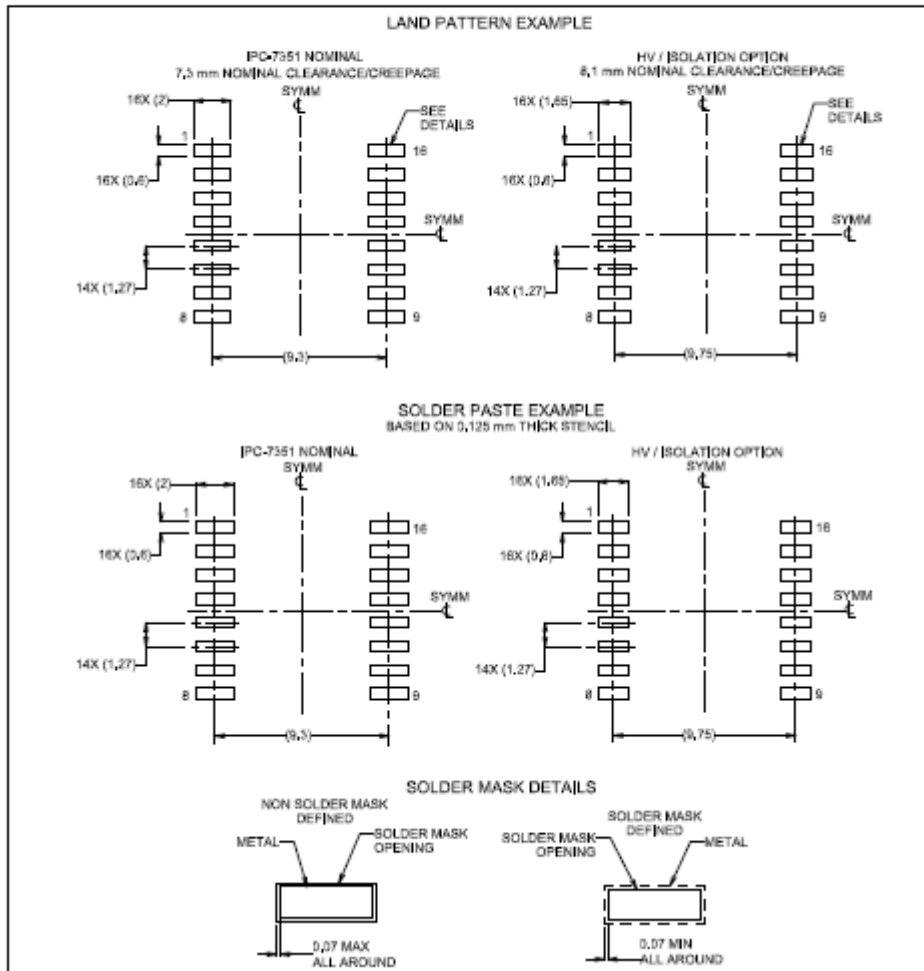
Change To:

EXAMPLE BOARD LAYOUT

DW0016B

SOIC - 2,65 mm max height

SOIC



The updated datasheet(s) can be accessed at www.ti.com

Reason for Change:

To more accurately reflect device characteristics

Anticipated impact on Fit, Form, Function, Quality or Reliability (positive / negative):

Electrical specification performance changes as indicated above.

Changes to product identification resulting from this PCN:

None

Product Affected:			
AMC1203BDW	ISO3086TDW	ISO7231CDWRG4	ISO7241MDW
AMC1203BDWR	ISO3086TDWR	ISO7231CQDWRQ1	ISO7241MDWG4
AMC1203DW	ISO3088DW	ISO7231MDW	ISO7241MDWR
AMC1203DWR	ISO3088DWG4	ISO7231MDWG4	ISO7241MDWRG4
AMC1204BDW	ISO3088DWR	ISO7231MDWR	ISO7242ADW
AMC1204BDWR	ISO3088DWRG4	ISO7231MDWRG4	ISO7242ADWG4
AMC1204DW	ISO35DW	ISO7240ADW	ISO7242ADWR
AMC1204DWR	ISO35DWG4	ISO7240ADWG4	ISO7242ADWRG4
AMC1204QDWRQ1	ISO35DWR	ISO7240ADWR	ISO7242CDW
ISO1050DW	ISO35DWRG4	ISO7240ADWRG4	ISO7242CDWG4
ISO1050DWR	ISO35MDW	ISO7240CDW	ISO7242CDWR
ISO1176DW	ISO35MDWR	ISO7240CDWG4	ISO7242CDWRG4
ISO1176DWG4	ISO35TDW	ISO7240CDWR	ISO7242CQDWRQ1
ISO1176DWR	ISO35TDWR	ISO7240CDWRG4	ISO7242MDW
ISO1176DWRG4	ISO5500DW	ISO7240CFDW	ISO7242MDWG4
ISO1176TDW	ISO5500DWR	ISO7240CFDWG4	ISO7242MDWR
ISO1176TDWR	ISO7230ADW	ISO7240CFDWR	ISO7242MDWRG4
ISO15DW	ISO7230ADWG4	ISO7240CFDWRG4	ISO7421EQDWRQ1
ISO15DWG4	ISO7230ADWR	ISO7240CFQDWRQ1	ISO7520CDW
ISO15DWR	ISO7230ADWRG4	ISO7240CFQDWRRB1	ISO7520CDWR
ISO15DWRG4	ISO7230CDW	ISO7240MDW	ISO7521CDW
ISO15MDW	ISO7230CDWG4	ISO7240MDWG4	ISO7521CDWR
ISO15MDWR	ISO7230CDWR	ISO7240MDWR	ISO7631FCDW
ISO3080DW	ISO7230CDWRG4	ISO7240MDWRG4	ISO7631FCDWR
ISO3080DWG4	ISO7230MDW	ISO7241ADW	ISO7631FMDW
ISO3080DWR	ISO7230MDWG4	ISO7241ADWG4	ISO7631FMDWR
ISO3080DWRG4	ISO7230MDWR	ISO7241ADWR	ISO7640FMDW
ISO3082DW	ISO7230MDWRG4	ISO7241ADWRG4	ISO7640FMDWR
ISO3082DWG4	ISO7231ADW	ISO7241AMDWREP	ISO7641FCDW
ISO3082DWR	ISO7231ADWG4	ISO7241AMDWREPG4	ISO7641FCDWR
ISO3082DWRG4	ISO7231ADWR	ISO7241CDW	ISO7641FMDW
ISO3086DW	ISO7231ADWRG4	ISO7241CDWG4	ISO7641FMDWR
ISO3086DWG4	ISO7231CDW	ISO7241CDWR	SN1007074DW
ISO3086DWR	ISO7231CDWG4	ISO7241CDWRG4	SN1007074DWR
ISO3086DWRG4	ISO7231CDWR	ISO7241CQDWRQ1	V62/10606-01XE

For questions regarding this notice, e-mails can be sent to the regional contacts shown below or your local Field Sales Representative.

Location	E-Mail
USA	PCNAmericasContact@list.ti.com
Europe	PCNEuropeContact@list.ti.com
Asia Pacific	PCNAsiaContact@list.ti.com
Japan	PCNJapanContact@list.ti.com