

REVISIONS

P	LTR	DESCRIPTION	DATE	DWN	APVD
A		RELEASE	23MAY2018	H.T	H.T
A2		MODIFY REEL PITCH	22OCT2018	H.T	H.T
A3		ASSIGN SPECIFICATION NUMBER	09NOV2018	H.T	H.T
A4		ECR-22-138775	11MAY2022	JZ	WKH

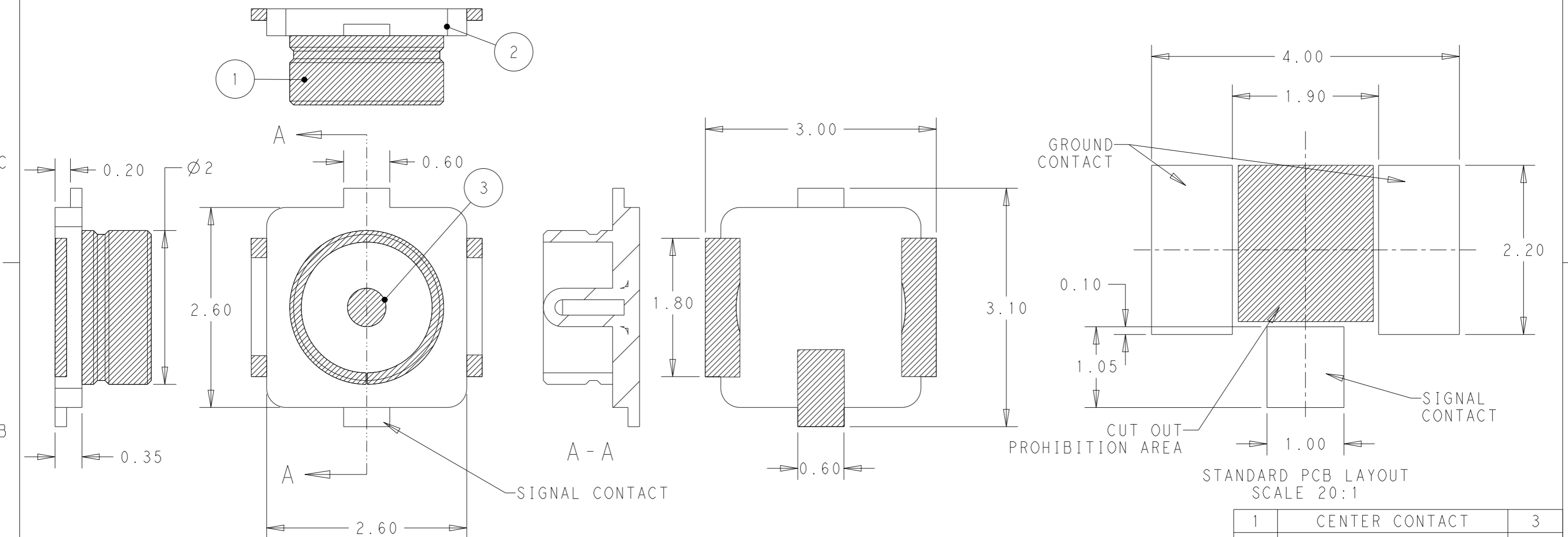
1. TECHNICAL PARAMETERS

FREQUENCY RANGE : 0~9GHz
 NOMINAL CHARACTERISTIC IMPEDANCE : 50Ω
 INSULATION RESISTANCE : 500MΩMIN
 INITIAL CONTACT RESISTANCE
 20mΩMAX(INNER CONTACT) / 20mΩMAX(OUTER CONTACT)
 WITH STANDING VOLTAGE : 200V AC 1min
 OPERAING TEMPERATURE : -40°C ~ +85°C

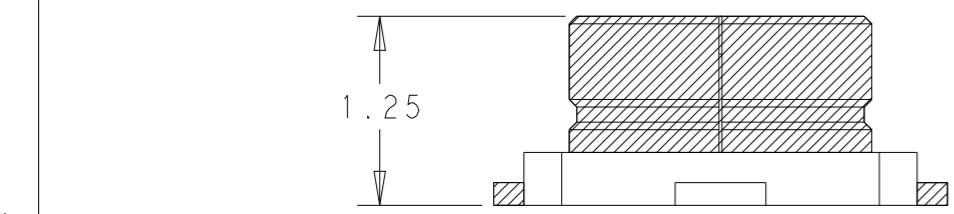
2. HATCHING FOR Au PLATING AREA. (Au PLATING : 0.05um MIN)

3. RoHS COMPLIANT
 4. COPLANARITY : 0.1MAX
 5. FITTING CONNECTOR
 USS RF PLUG CONNECTOR


AS SHOWN : 2337019-1



QTY	DESCRIPTION	ITEM
1	CENTER CONTACT	3
1	DIELECTRIC	2
1	SHELL	1

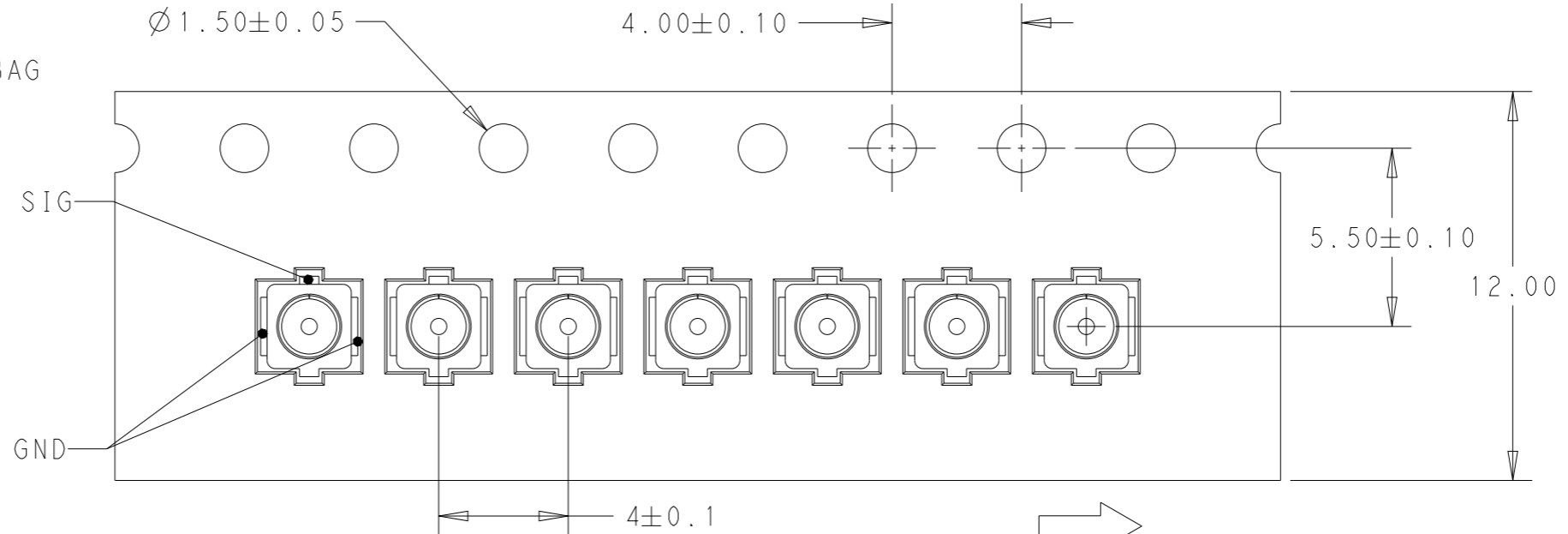
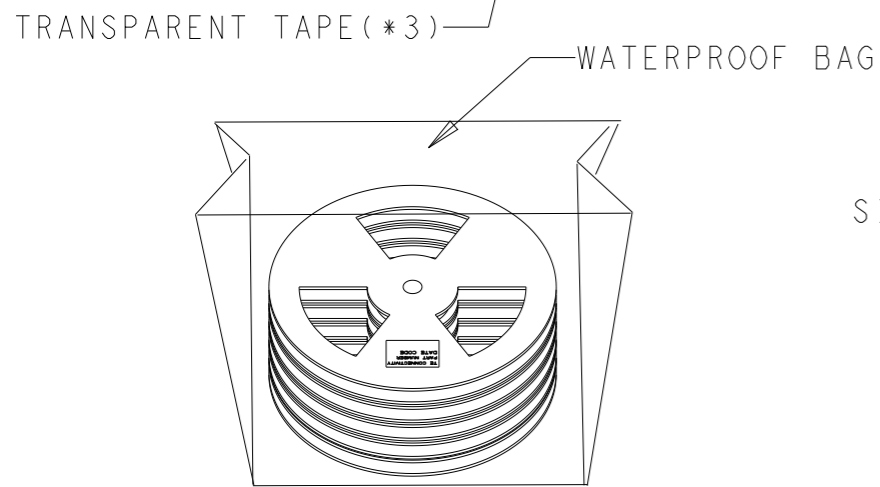
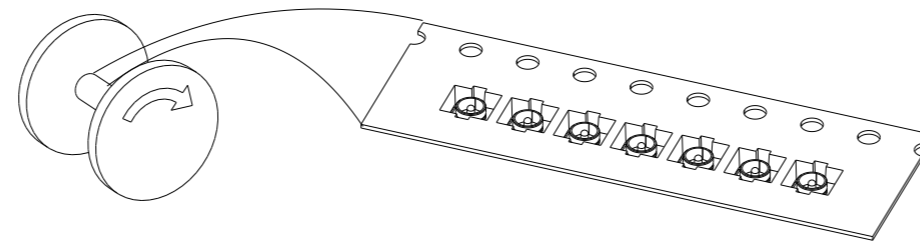
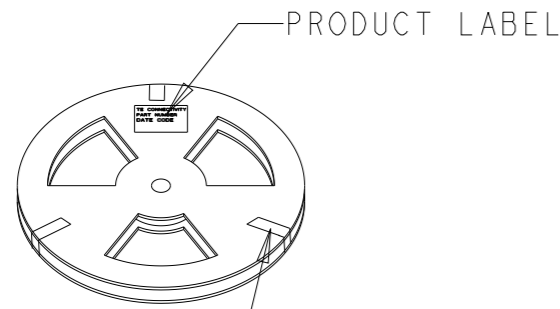


THIS DRAWING IS A CONTROLLED DOCUMENT.

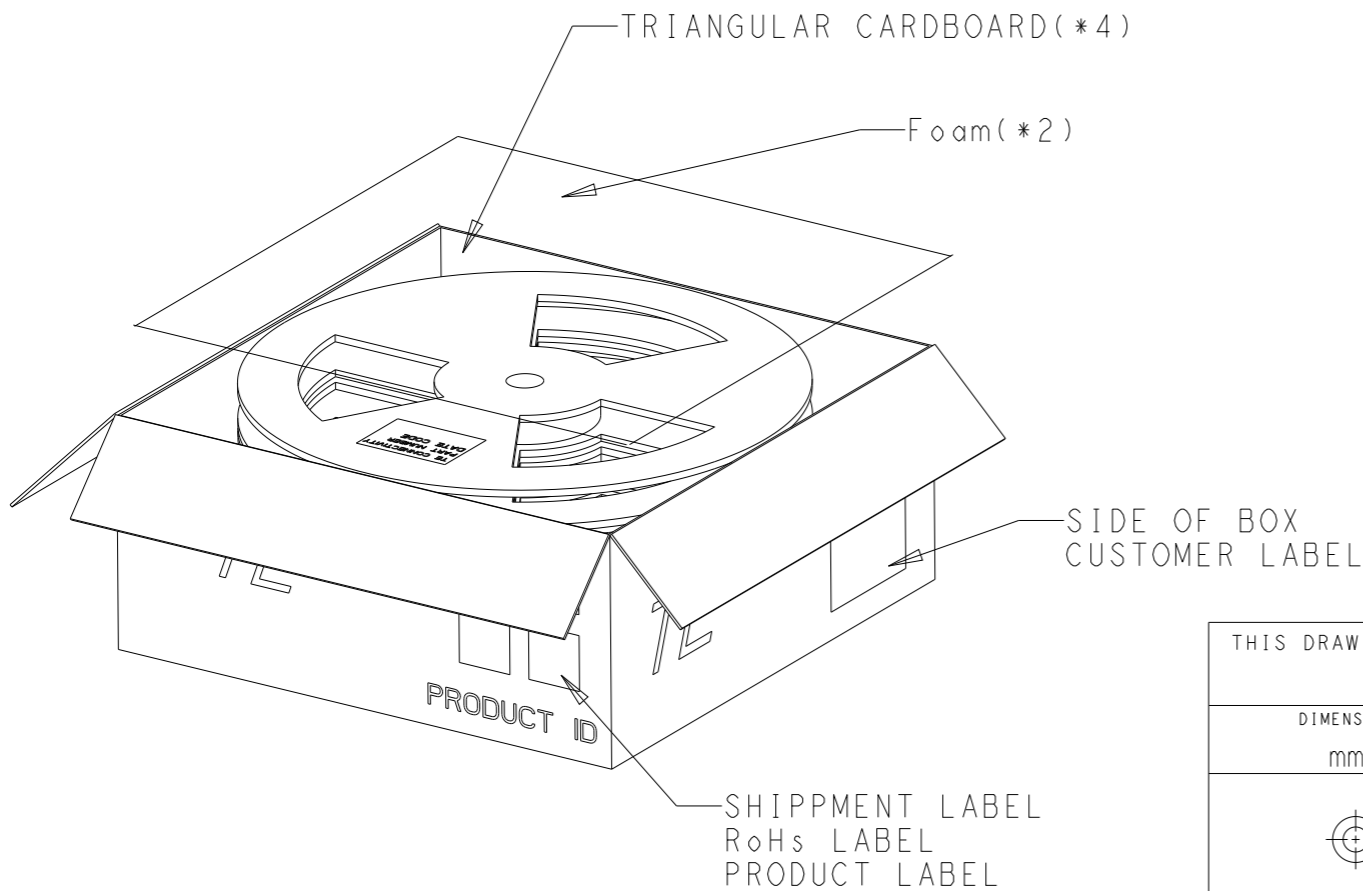
DWN H. TAMURA	23MAY2018	 TE Connectivity	NAME RF, RECEPTACLE CONNECTOR GENERATION 1 COMPATIBLE WITH MHF
CHK -	-		
APVD -	-		
PRODUCT SPEC 108-140209	-		
DIMENSIONS: mm	TOLERANCES UNLESS OTHERWISE SPECIFIED: ±0.15	SIZE A3	CAGE CODE -
0 PLC ±	1 PLC ±	DRAWING NO C-2337019	RESTRICTED TO -
1 PLC ±	2 PLC ±	WEIGHT 0.016	SCALE 15:1
2 PLC ±	3 PLC ±	CUSTOMER DRAWING	SHEET 1 OF 2
3 PLC ±	4 PLC ±		REV A4
4 PLC ±	ANGLES ±3°		
MATERIAL -	FINISH -		

REVISIONS

P	LTR	DESCRIPTION	DATE	DWN	APVD
-	-	SEE SHEET 1	-	-	-



➔ USER DIRECTION OF UNREELING



NOTE
 10000 PCS / REEL
 6 REEL / BOX
 60000 PCS / BOX
 REEL DIAM : 380mm
 MATERIAL : PS 0.3mm
 REEL INNER WIDTH : 13±0.2
 REEL OUTER WIDTH : 18±0.2
 LEADER : 400mm MIN
 COVER TAPE LEGTH IN LEADER : 50mm MIN
 EMPTY IN LEADER : 500mm
 TRAILER(EMPTY) : 160mm MIN

THIS DRAWING IS A CONTROLLED DOCUMENT.		DWN H. TAMURA	23MAY2018	TE Connectivity	
DIMENSIONS: mm		CHK -	APVD -		
TOLERANCES UNLESS OTHERWISE SPECIFIED: ± 0.15		PRODUCT SPEC -		NAME RF, RECEPTACLE CONNECTOR GENERATION 1 COMPATIBLE WITH MHF	
0 PLC \pm 1 PLC \pm 2 PLC \pm 3 PLC \pm 4 PLC \pm ANGLES $\pm 3^\circ$		APPLICATION SPEC -		SIZE A3	RESTRICTED TO -
MATERIAL -		FINISH -		CAGE CODE -	DRAWING NO C-2337019
-		-		WEIGHT -	SCALE NTS
CUSTOMER DRAWING				SHEET 2	REV A4