

Würth Elektronik eiSos GmbH & Co. KG

EMC & Inductive Solutions

Max-Eyth-Straße 1 · 74638 Waldenburg · Germany

Tel. +49 (0) 79 42 945-0 · Fax +49 (0) 79 42 945-400

eiSos@we-online.de · www.we-online.de



Product / Process Change Notification (PCN)

- Major change
 Minor change

PCN #: PCN_VarTVS_20210827

Affected Series: WE-TVS; 82401646

PCN Date: July 27, 2021

Effective Date: August 27, 2021

Change Category:

- Equipment / Location
 General Data
 Material
 Process
 Product Design
 Shipping / Packaging
 Supplier
 Software

Contact: Product Management

Phone: +49 (0) 7942 - 945 5001

Fax: +49 (0) 7942 - 945 5179

E-Mail: pcn.eisos@we-online.com

Data Sheet Change:

- Yes No

Attachment:

- Yes No

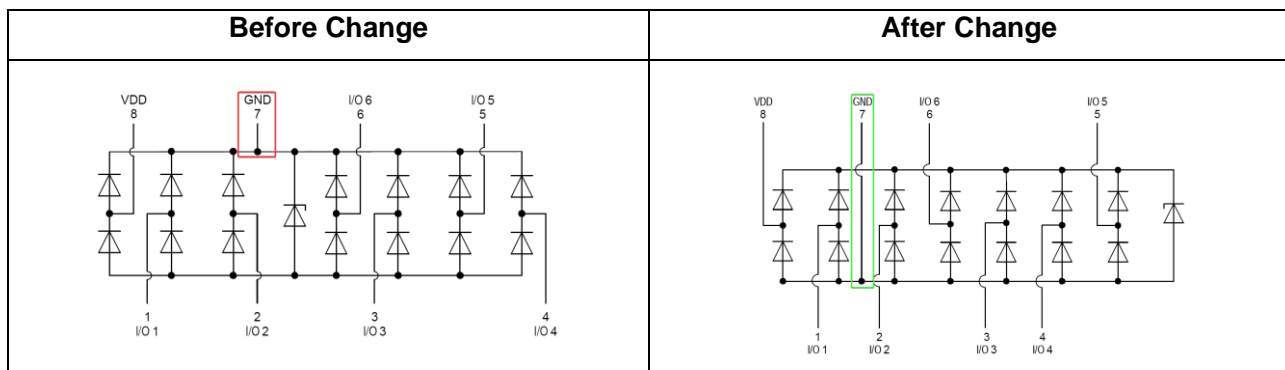
DESCRIPTION AND PURPOSE OF CHANGE:

Because of a database mismatch, Würth Elektronik update the schematic.

This is a datasheet correction only. There will be no change in form, fit, function, quality or reliability of the product.

DETAIL OF CHANGE:

The schematic shows wrongly that the GND Pin is connected on cathode side of the internal Z-Diode. But the real connection of GND Pin is on anode side.



RELIABILITY / QUALIFICATION SUMMARY:

There will be no change of the product, therefore no additional reliability or qualification testing will be performed.