

TLD 5095EL / TLD 5098EL

Infineon® Power LED driver- boost controller

The TLD 5095EL and the TLD 5098EL are two smart LED boost controllers with built in protection and diagnostic features. The main function of these devices is to step-up (boost) the output voltage and regulate a constant LED current. The TLD 5095EL offers a status pin for diagnostic purpose the TLD 5098EL a set pin to adjust the average LED current so called analog dimming.

Application

- Automotive interior and exterior lights
- LED daytime running lights
- LED front lights
- Boost to Ground, Boost to battery and SEPIC configuration possible



Key Features & Benefits

TLD 5095EL

- Implemented status pin to indicate fault conditions

TLD 5098EL

- Analog dimming feature to adjust average LED current

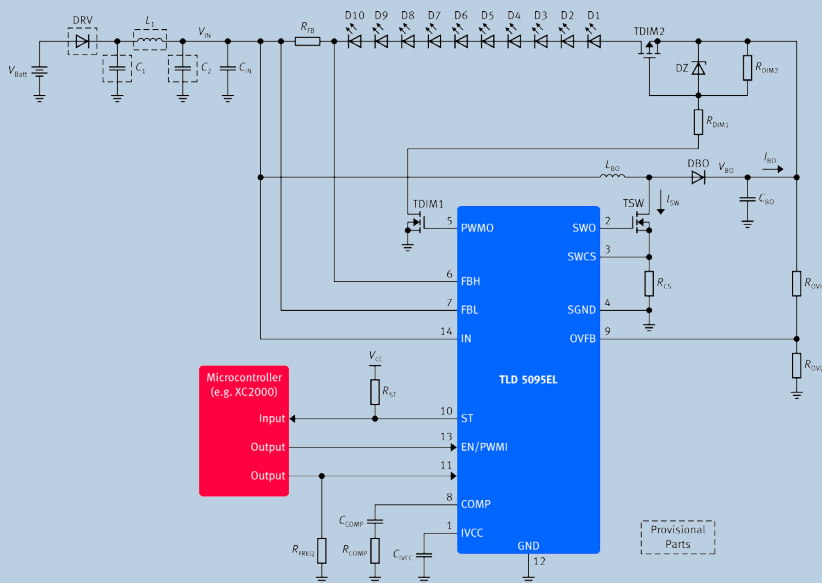
TLD 5095EL / TLD 5098EL

- Wide input voltage range from 4.75V to 45V
- Constant current or constant voltage regulation
- Flexible switching frequency from 100 kHz to 500 kHz
- PWM dimming
- Output overvoltage protection
- Available in a small, thermally enhanced PG-SSOP-14 exposed pad package

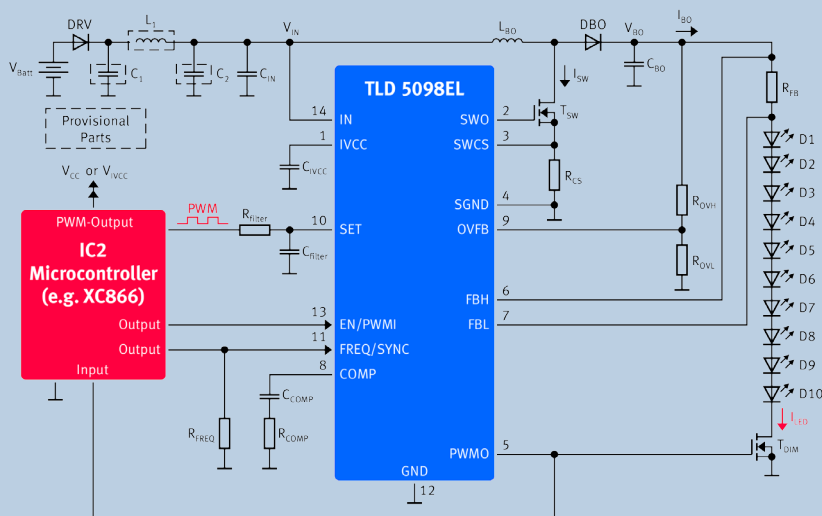
TLD 5095EL / TLD 5098EL

Infineon® Power LED driver- boost controller

TLD 5095EL Application Example in Boost to Battery Configuration



TLD 5098EL Application Example in Boost to Ground Configuration



Published by
Infineon Technologies AG
85579 Neuburg, Germany

© 2010 Infineon Technologies AG.
All Rights Reserved.

Visit us:
www.infineon.com

Order Number: B127-H9503-X-X-7600
Date: 07 / 2010

ATTENTION PLEASE!

The information given in this document shall in no event be regarded as a guarantee of conditions or characteristics ("Beschaffenheitsgarantie"). With respect to any examples or hints given herein, any typical values stated herein and/or any information regarding the application of the device, Infineon Technologies hereby disclaims any and all warranties and liabilities of any kind, including without limitation warranties of non-infringement of intellectual property rights of any third party.

INFORMATION

For further information on technology, delivery terms and conditions and prices please contact your nearest Infineon Technologies Office (www.infineon.com).

WARNINGS

Due to technical requirements components may contain dangerous substances. For information on the types in question please contact your nearest Infineon Technologies Office. Infineon Technologies Components may only be used in life-support devices or systems with the express written approval of Infineon Technologies, if a failure of such components can reasonably be expected to cause the failure of that life-support device or system, or to affect the safety or effectiveness of that device or system. Life support devices or systems are intended to be implanted in the human body, or to support and/or maintain and sustain and/or protect human life. If they fail, it is reasonable to assume that the health of the user or other persons may be endangered.