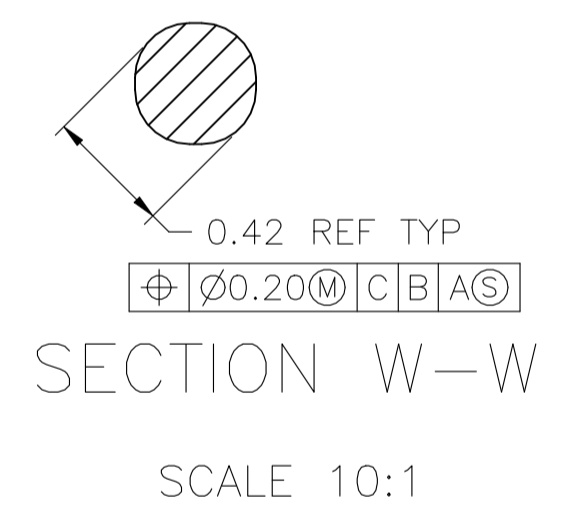
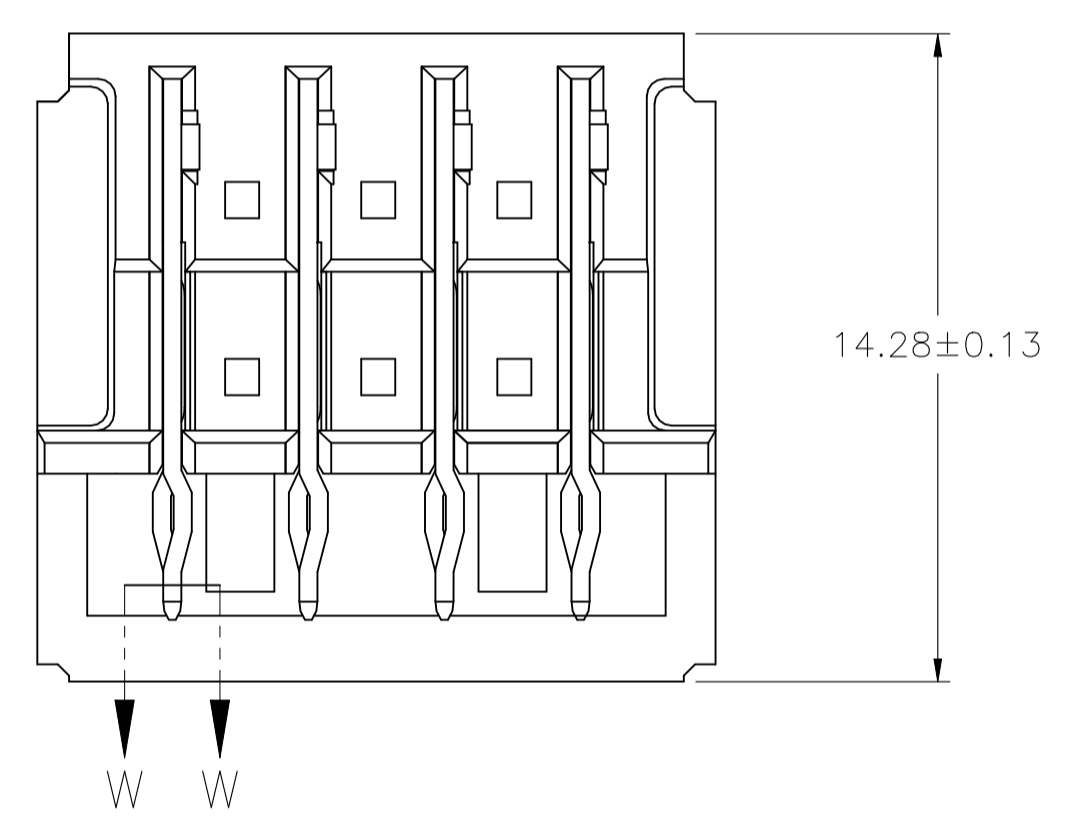
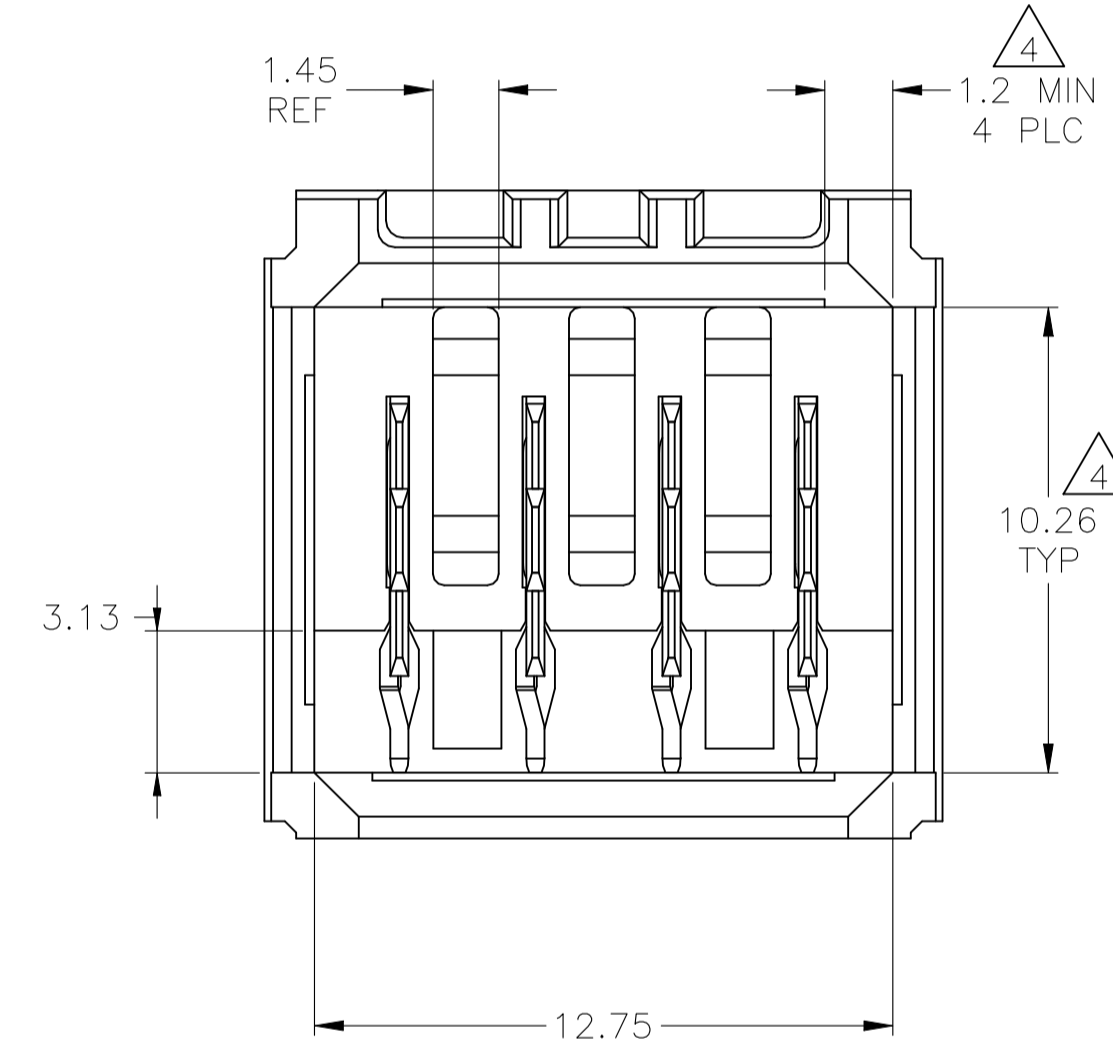
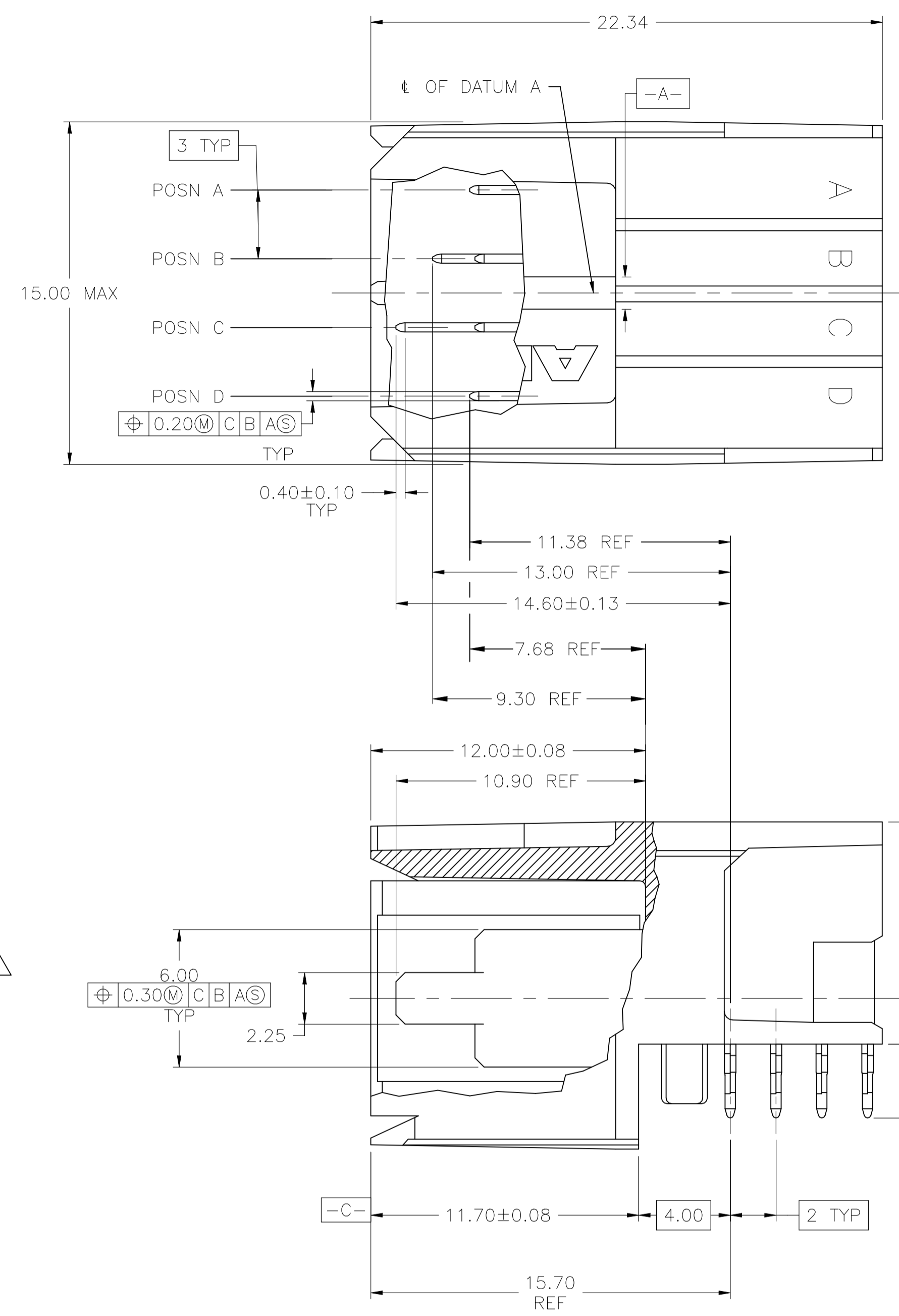
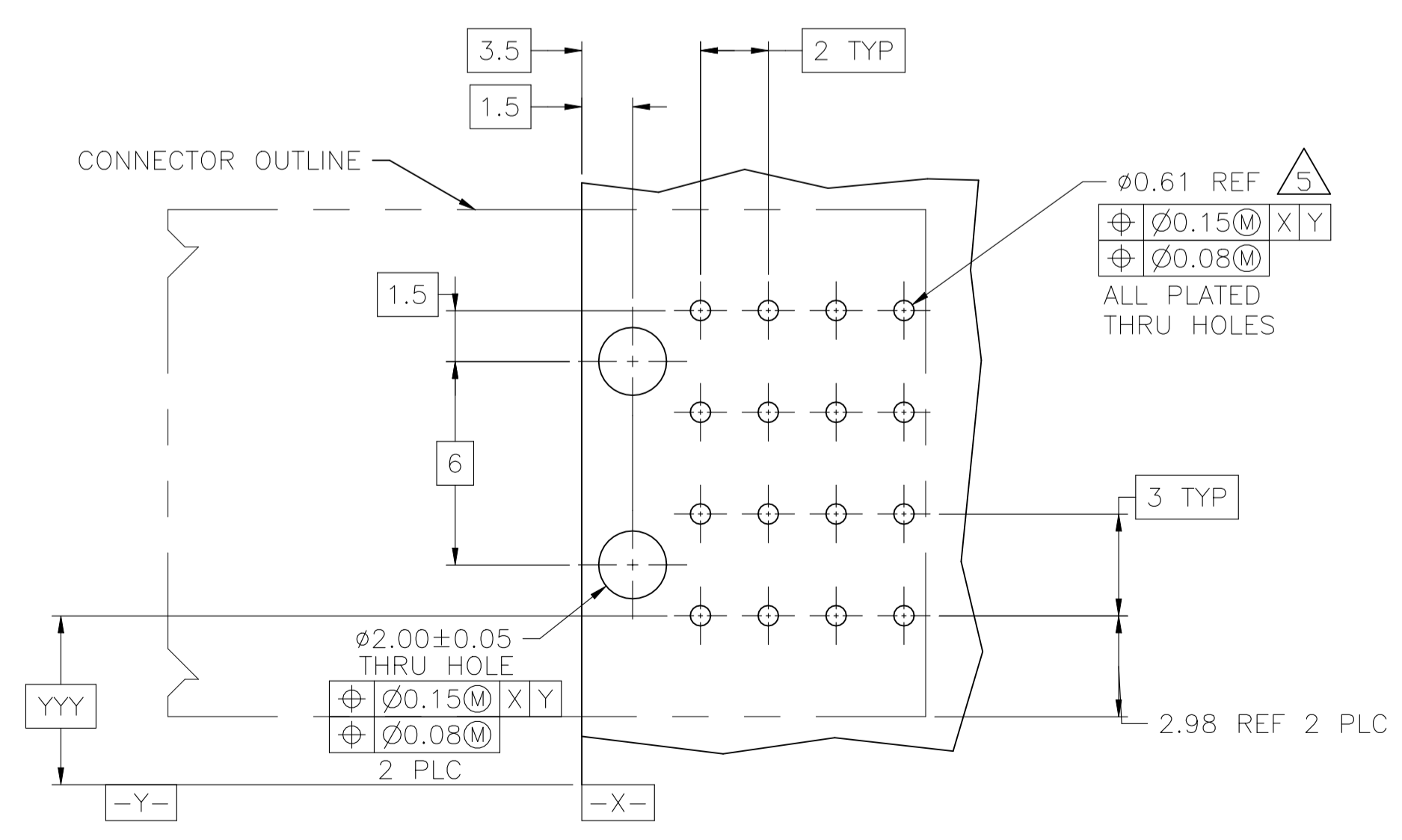


REVISIONS				
REV	DESCRIPTION	DATE	BY	APP'D
F2	ADDED NEW DASH NUMBER -7	08DEC2022	DP	SH



- 1 MATERIAL: HOUSING: POLYESTER, GRAY. UL 94V-0. CONTACT: HIGH CURRENT COPPER ALLOY.
- 2 FINISH: IN ACCORDANCE WITH PRODUCT SPECIFICATION 108-1651. GOLD PLATING OR EQUIVALENT PLATING ON PRODUCT CONTACT MATING AREA, AND MATTE TIN PLATING ON COMPLIANT PIN AREA, ALL OVER MATTE NICKEL UNDERPLATED. DETAIL PLEASE REFER TO PRODUCT SPECIFICATION 108-1651.
- 3 FINISH: CONTACT LUBRICATION WITH BELLCORE APPROVED LUBRICANT. TECHNICAL REFERENCE: TR-NWT-001217 ISSUE 1, SEPT 1992.
- 4 THE 10.26±0.13 DIMENSION APPLIES IN THIS AREA.
- 5 REFERENCE APPLICATION SPEC 114-1103 FOR RECOMMENDED PLATED THRU HOLE DIAMETER AND PLATING THICKNESSES.
- 6. CURRENT RATING 16A/CONTACT PER PRODUCT SPEC 108-1651.
- 7 MATERIAL: HOUSING: POLYESTER, BLACK. UL 94V-0. CONTACT: HIGH CURRENT COPPER ALLOY.



POSITIONS LOADED WITH 10.90 REF CONTACTS	POSITIONS LOADED WITH 9.30 REF CONTACTS	POSITIONS LOADED WITH 7.68 REF CONTACTS	NO OF LOADED POSITIONS	PART NUMBER
-	A,D	B,C	4	120954-7
-	C,D	A,B	4	120954-6
A,B	C,D	-	4	120954-5
A,D	-	B,C	4	120954-4
-	A,D	B,C	4	120954-3
A	B	C,D	4	120954-2
A,B,C,D	-	-	4	120954-1

THIS DRAWING IS A CONTROLLED DOCUMENT.

DIMENSIONS: mm	TOLERANCES UNLESS OTHERWISE SPECIFIED:	DIN R CARBO 08OCT04	08OCT04	08OCT04	08OCT04	08OCT04	08OCT04	08OCT04	08OCT04
0 PLC ± -	1 PLC ± -	2 PLC ± 0.13	3 PLC ± -	4 PLC ± -	ANGLES ± -	APPROVED: R PATTERSON	NAME: R PATTERSON	PRODUCT SPEC: 108-1651	APPLICATION SPEC: 114-1103
MATERIAL: 1 2 3	FINISH: 2 3	WEIGHT: 0.000000	SIZE: A1	CAGE CODE: 00779	DRAWING NO: 120954	TE Connectivity ASSEMBLY, RIGHT ANGLE HEADER HC W/ RETENTION PEGS, UNIVERSAL POWER MODULE			
CUSTOMER DRAWING						SCALE: 6:1	SHEET: 1 of 1	REV: F2	RESTRICTED TO: