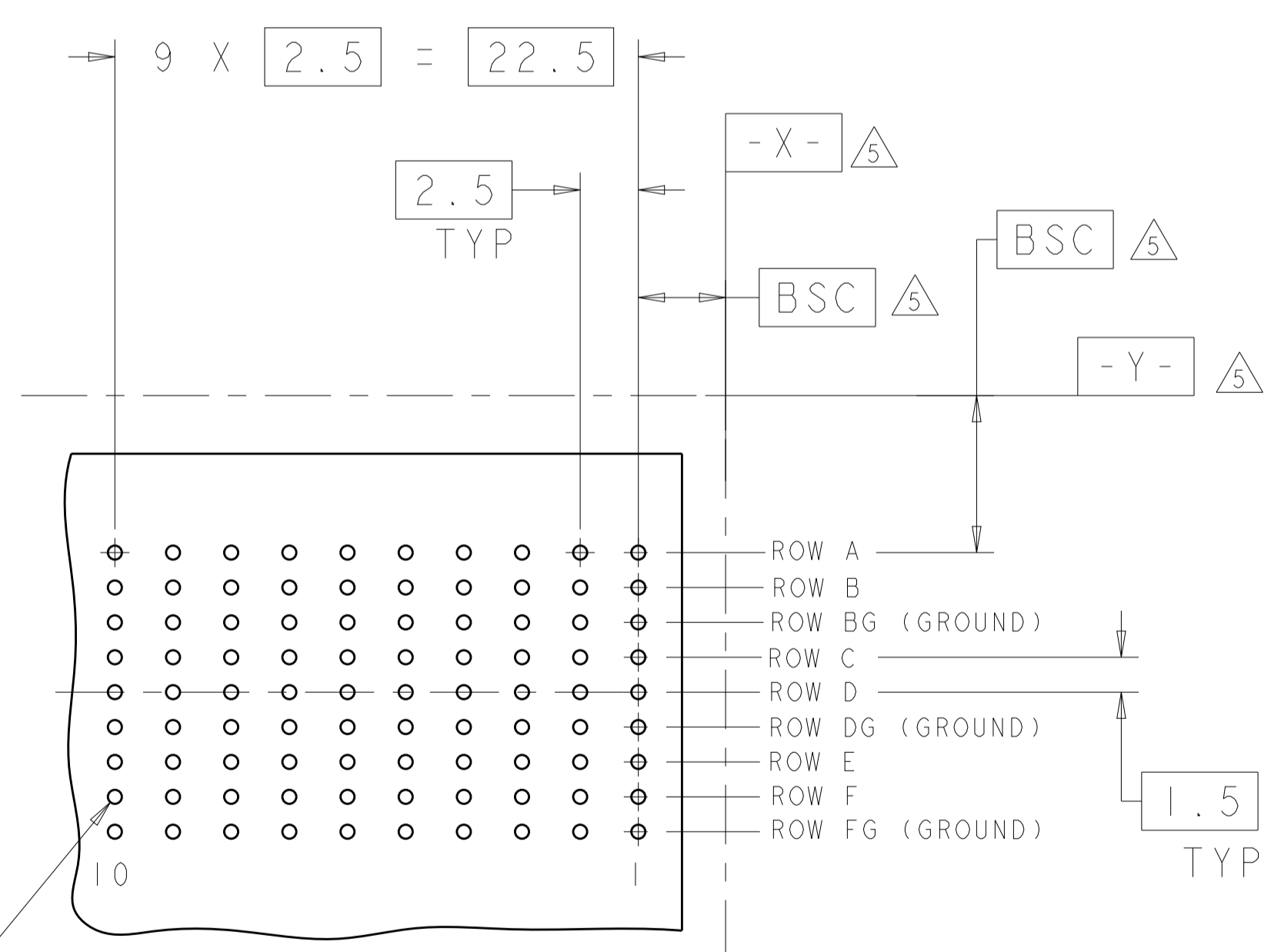
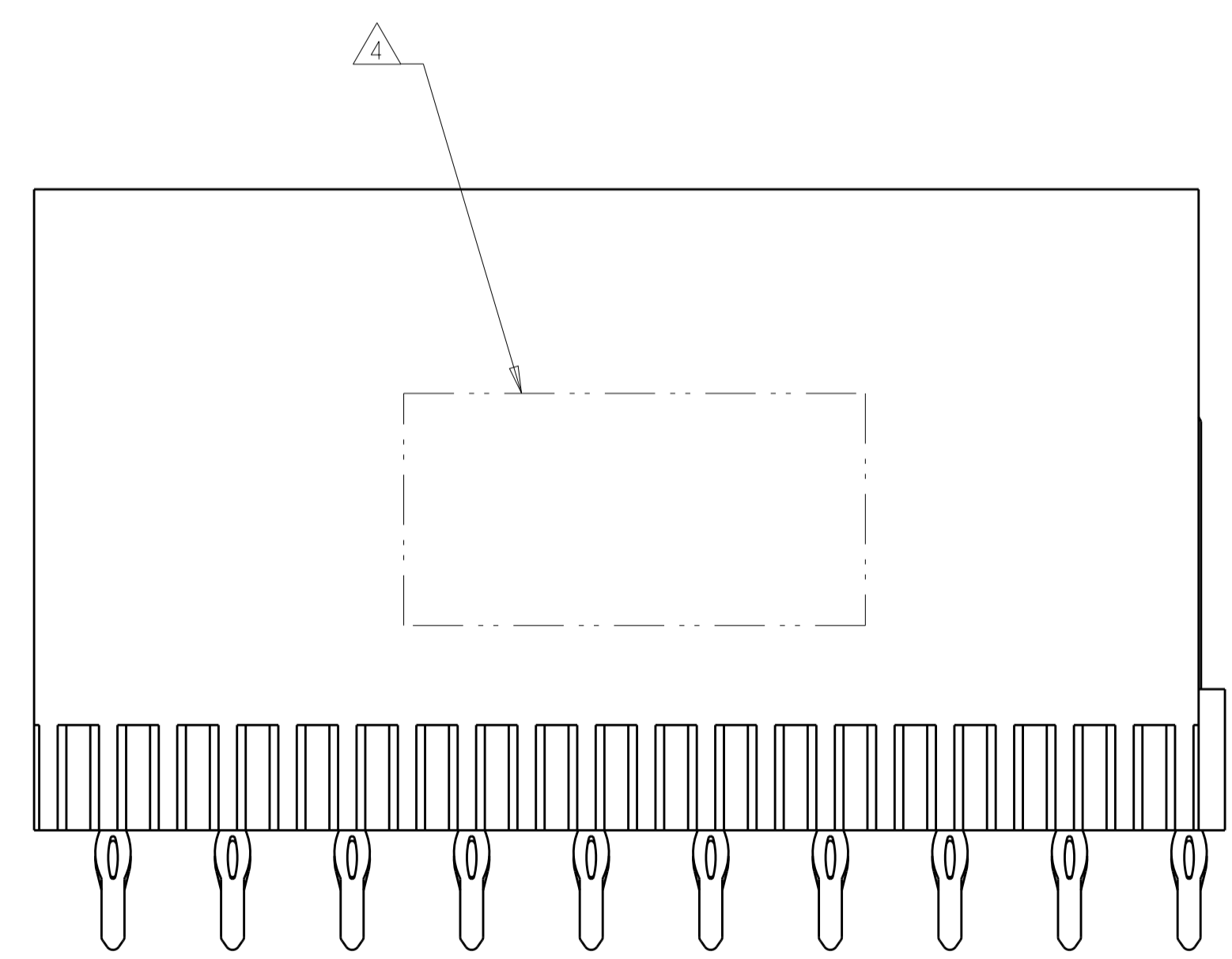
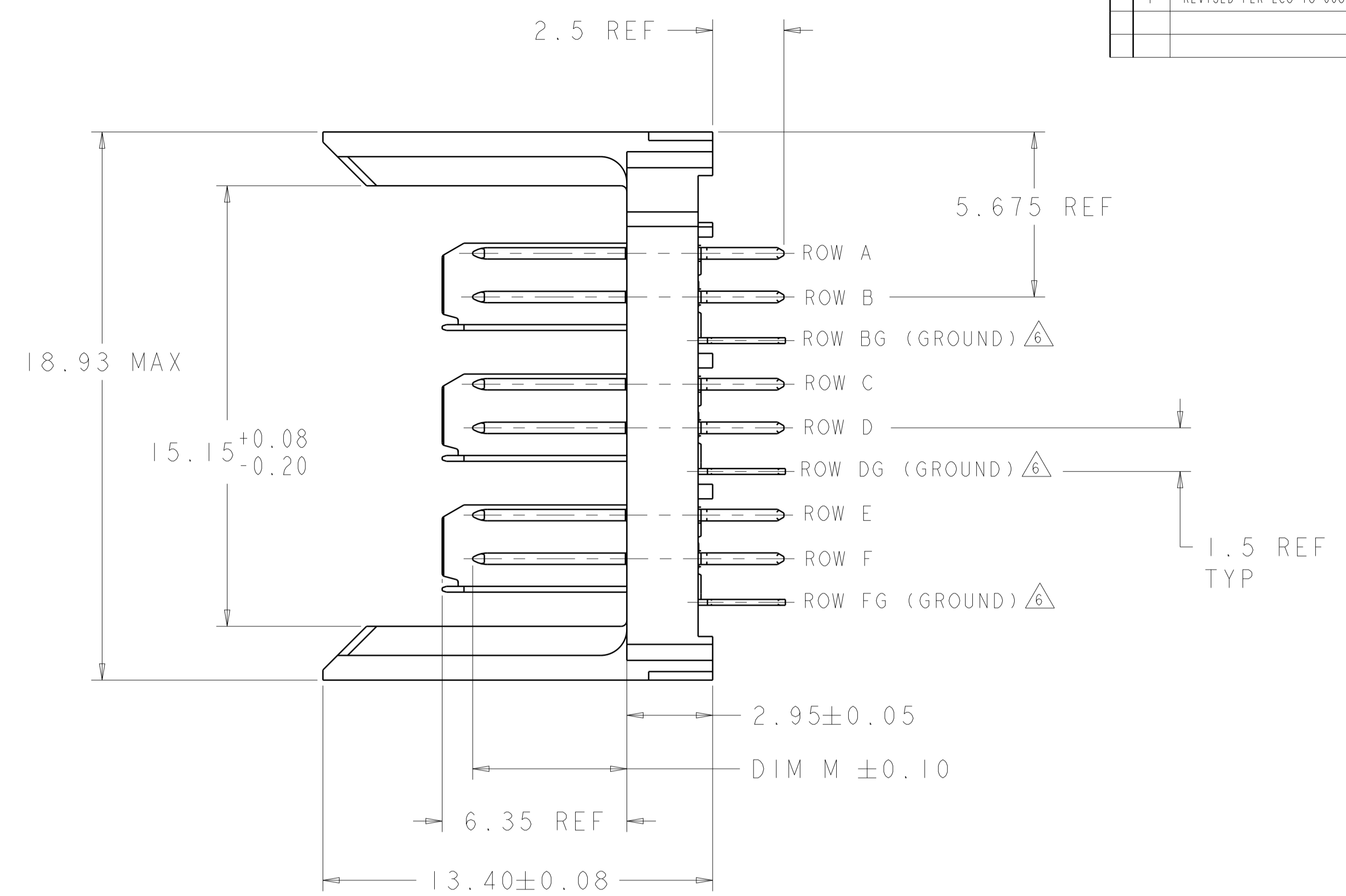
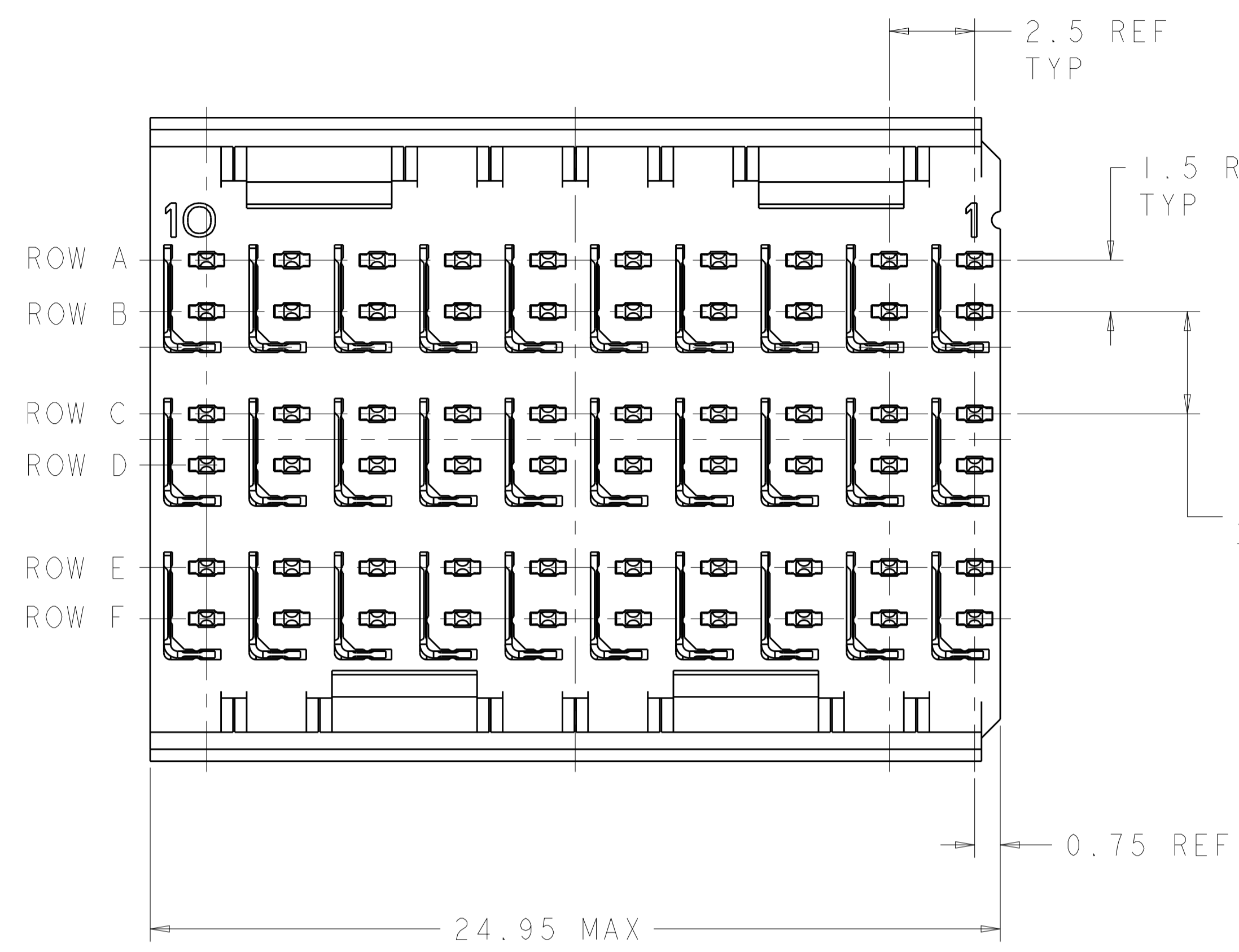


LOC		DIST		REVISIONS			
P	LTN	DESCRIPTION	DATE	DWN	APVD		
E1		REVISED PER ECO-13-003342	04MAR2013	KH	MH		
F		REVISED PER ECO-18-008925	11JUN2018	DS	HL		



⊕ | Ø0.05(S) | X | Y
 ALL PLATED THRU HOLES

RECOMMENDED PC BOARD LAYOUT, BACKPLANE, COMPONENT SIDE SHOWN SCALE 4:1

- 1. REFERENCE APPLICATION SPEC 114-13059 FOR RECOMMENDED PLATED THRU HOLE DIAMETER AND PLATING THICKNESSES.
- 2. MATERIAL:
 CONTACT AND SHIELD - PHOSPHOR BRONZE
 HOUSING - GLASS FILLED POLYESTER. UL 94V-0.
- 3. FINISH: SIGNAL AND GROUND CONTACTS:
 MATING AREA: MEETS THE PERFORMANCE REQUIREMENTS OF PRODUCT SPECIFICATION 108-2055; BASED ON TELCORDIA GR-1217-CORE, APPLICATIONS IN UNCONTROLLED ENVIRONMENTS
 COMPLIANT PIN AREA: 0.5µm MIN BRIGHT TIN-LEAD OVER BASE PLATING
- 4. CONNECTOR MARKED WITH PART NUMBER AND DATE CODE.
- 5. DATUMS AND BASIC DIMENSIONS ESTABLISHED BY CUSTOMER.
- 6. THE THREE GROUNDS IN EACH COLUMN ARE COMMONED.
- 7. CONTACT AREA LUBRICATED WITH BELLCORE APPROVED LUBRICANT. TECHNICAL REFERENCE: GR-1217-CORE, ISSUE 1, NOVEMBER 1995.
- 8. FINISH: CONTACT AND SHIELD
 MATING AREA - 1.27µm MIN GOLD OVER 1.27µm MIN NICKEL
 COMPLIANT PIN AREA - 0.5µm MIN BRIGHT TIN-LEAD OVER 1.27µm MIN NICKEL
- 9. FINISH: CONTACT AND SHIELD
 MATING AREA - 1.27µm MIN GOLD OVER 1.27µm MIN NICKEL
 COMPLIANT PIN AREA - 0.5µm MIN BRIGHT TIN-LEAD OVER 1.27µm MIN NICKEL
 NO LUBRICANT

5.30	9	1469083-4
5.30	8	1469083-3
3.80	3	1469083-2
5.30	3	1469083-1
DIM M	FINISH	PART NUMBER

THIS DRAWING IS A CONTROLLED DOCUMENT.

DIMENSIONS:	TOLERANCES UNLESS OTHERWISE SPECIFIED:	DWN: D. SCHRUM 02JAN2002	CHK: S. MAGARO 02JAN2002
mm	0 PLC ±	APVD: P. PATTERSON 16AUG2007	NAME: H. PATTERSON
	1 PLC ±	PRODUCT SPEC: 108-2055	
	2 PLC ±	APPLICATION SPEC: 114-13059	
	3 PLC ±	SIZE: A	CAGE CODE: 1469083
	4 PLC ±	WEIGHT: -	RESTRICTED TO: -
	ANGLES ±	MATERIAL: -	SCALE: 8:1
	FINISH: SEE TABLE	Customer Drawing	SHEET 1 OF 1

TE Connectivity
 HEADER ASSEMBLY, 3 PAIR, 2.5mm TAIL, 25mm, HMZd