

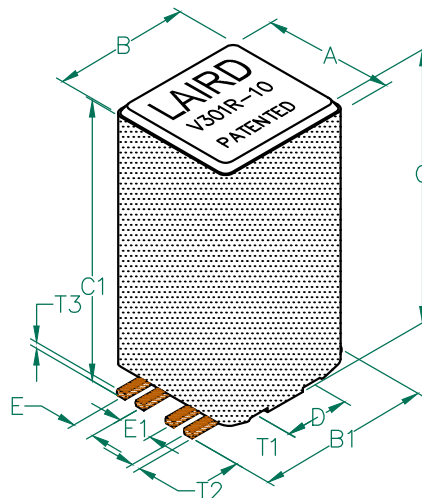
# CM3032V301R-10

## PHYSICAL DIMENSIONS:

A	7.62 [.300]	+ 0.13 [.005]
B	8.13 [.320]	+ 0.13 [.005]
B <sub>1</sub>	10.92 [.430]	MAX
C	14.48 [.570]	+ 0.25 [.010]
C <sub>1</sub>	15.11 [.595]	MAX
D	4.06 [.160]	+ 0.05 [.002]
E	1.27 [.050]	+ 0.13 [.005]
E <sub>1</sub>	2.03 [.080]	+ 0.13 [.005]

## WIRE DIMENSIONS:

T <sub>1</sub>	3.30 [.130]	+ 0.38 [.015]
T <sub>2</sub>	0.64 [.025]	TYP.
T <sub>3</sub>	0.38 [.015]	TYP.



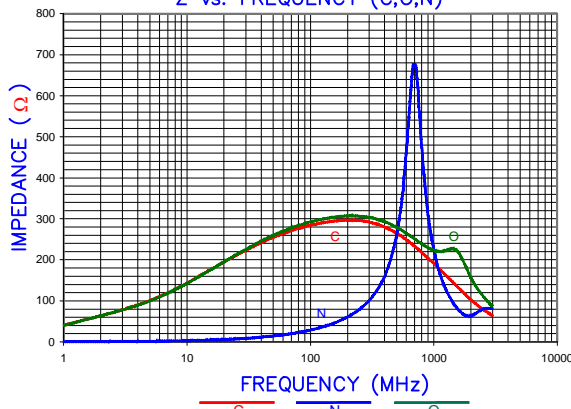
## ELECTRICAL CHARACTERISTICS:

Z @ 100MHz (Ω)	DCR (Ω)	Rated Current	Rated Voltage (VDC)
Nominal	300		
Minimum	225		
Maximum	375	0.01	8,000 mA
			30

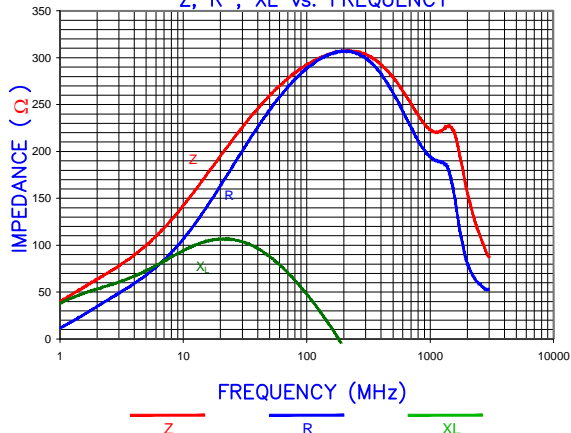
NOTES: UNLESS OTHERWISE SPECIFIED

1. TAPED AND REELED per CURRENT EIA SPECIFICATIONS 13" REELS, 100 PCS/REEL.
2. COMPONENTS SHOULD BE ADEQUATELY PREHEATED BEFORE SOLDERING.
3. REF. CARRIER TAPE SPECIFICATION # CART3032-33.
4. TERMINATION FINISH IS 100% TIN.
5. THIS PART HAS NO PIN POLARITY.
6. OPERATION TEMPERATURE (INCLUDING SELF-HEATING): -40 ~ +125°C.

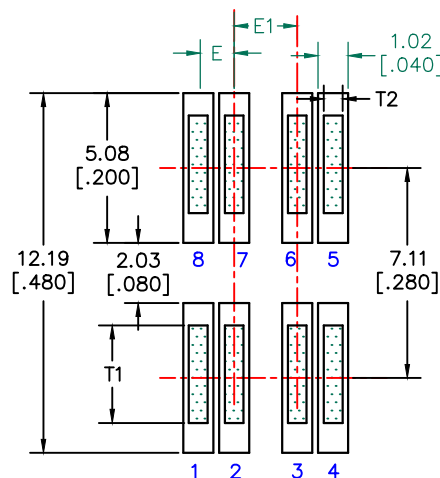
Z vs. FREQUENCY (C,O,N)



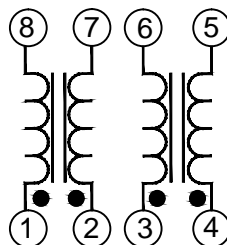
Z, R, XL vs. FREQUENCY



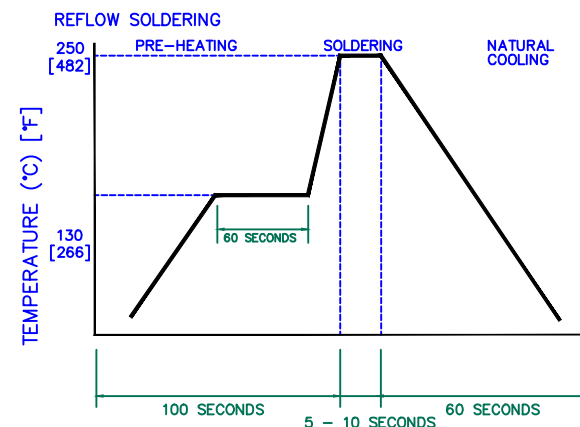
LAND PATTERNS FOR



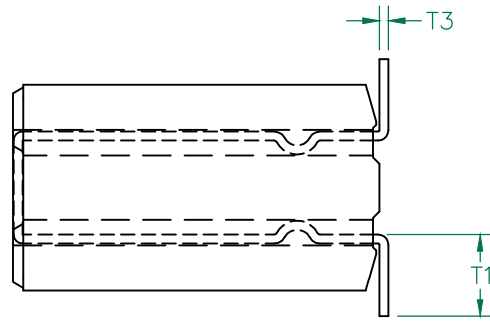
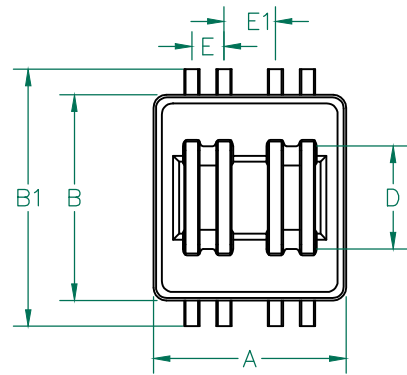
EQUIVALENT CIRCUIT



RECOMMENDED SOLDERING CONDITIONS



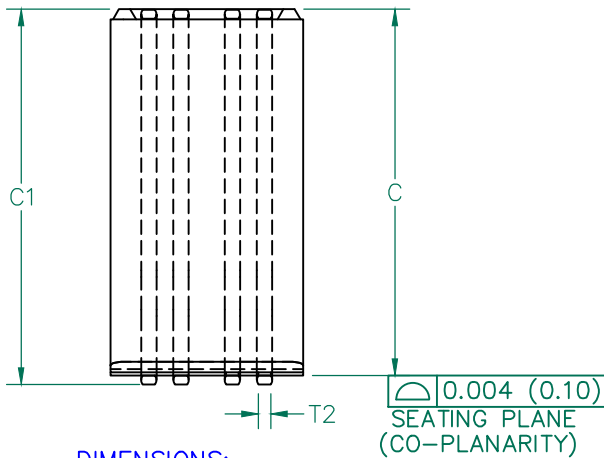
DIMENSIONS ARE IN mm (INCHES).				This print is the property of Laird Tech. and is loaned in confidence subject to return upon request and with the understanding that no copies shall be made without the written consent of Laird Tech. All rights to design or invention are reserved.			
D	ADD NOTE 6	08/30/12	QIU				
C	UPDATE COMPANY LOGO & KAPTON LABEL ADD EQUIVALENT CIRCUIT	11/12/08	JRK				
B	UPDATE COMPANY LOGO	11/21/07	JRK				
A	ORIGINAL DRAFT	5/28/04	JRK				
REV	DESCRIPTION	DATE	INT	PROJECT/PART NUMBER: <b>CM3032V301R-10</b>	REV: <b>D</b> PART TYPE: <b>CO-FIRE</b>	DRAWN BY: <b>JRK</b>	SCALE: <b>NTS</b> SHEET:
				DATE: <b>05/28/04</b>	TOOL # <b>-</b>	SHEET: <b>1 of 2</b>	
				CAD # <b>CM3032V301R-10-D-1</b>			



RoHS

SCALE DRAWING

CM3032V301R-10



**LAIRD**  
V301R-10  
PATENTED  
LABEL

ELECTRICAL TESTING

	GROSS	GROSS
TEST:	Z	Z
# TURNS	1	1
AWG	22	22
FREQUENCY	25 MHz	100 MHz
NOMINAL	169 Ω	300 Ω
MINIMUM	- Ω	225 Ω
MAXIMUM	- Ω	375 Ω
WEIGHT/1000	3.80 kgs.	8.37 lbs.

DIMENSIONS:

A	7.62 [.300]	+	0.13 [.005]
B	8.13 [.320]	+	0.13 [.005]
B1	10.92 [.430]		MAX
C	14.48 [.570]	+	0.25 [.010]
C1	15.11 [.595]		MAX
D	4.06 [.160]	+	0.05 [.002]
E	1.27 [.050]	+	0.13 [.005]
E1	2.03 [.080]	+	0.13 [.005]

WIRE DIMENSIONS:

T1	3.30 [.130]	+	0.38 [.015]
T2	0.64 [.025]		TYP.
T3	0.38 [.015]		TYP.

NOTES: UNLESS OTHERWISE SPECIFIED

1. WIRE: REFERENCE STEWARD WIRE PURCHASE SPEC. W0032-31.
2. IMPEDANCE VALUES ARE GROSS, MEASURED USING W0032-31 WIRE PLACED AGAINST END OF SLOT w/ NO D.C. BIAS.
4. REFERENCE STEWARD CORE P/N 24H0300-300.
5. PROTECTED BY U.S. PATENT NO. 5,455,552.
6. TERMINATION FINISH IS 100% TIN.
7. THIS PART HAS NO PIN POLARITY.

DIMENSIONS ARE IN mm (INCHES).				This print is the property of Laird Tech. and is loaned in confidence subject to return upon request and with the understanding that no copies shall be made without the written consent of Laird Tech. All rights to design or invention are reserved.		
D	ADD NOTE 6	08/30/12	QIU			
C	UPDATE COMPANY LOGO & KAPTON LABEL ADD EQUIVALENT CIRCUIT	11/12/08	JRK			
B	UPDATE COMPANY LOGO	11/21/07	JRK			
A	ORIGINAL DRAFT	5/28/04	JRK			
REV	DESCRIPTION	DATE	INT			
PROJECT/PART NUMBER: CM3032V301R-10				REV: D	PART TYPE: CO-FIRE	DRAWN BY: JRK
DATE: 05/28/04				SCALE: NTS	SHEET: 2 of 2	
CAD # CM3032V301R-10-D-2				TOOL # -		