

# LMX2820 22.6-GHz Wideband PLLatinum™ RF Synthesizer With Phase Synchronization and JESD204B Support

## 1 Features

- Output frequency: 45 MHz to 22.6 GHz
- 36-fs rms jitter (12 kHz – 95 MHz) at 6 GHz
- High-performance PLL
  - Figure of merit: –236 dBc/Hz
  - Normalized 1/f noise: –134 dBc/Hz
  - -95 dBc Integer Mode Spurs ( $f_{PD}=100$  MHz)
  - High phase detector frequency
    - 400-MHz integer mode
    - 300-MHz fractional mode
  - Programmable input multiplier
  - Direct PFD input for offset mixing support allowing PLL N divider to be one for ultra-low jitter
- 2.5- $\mu$ s fast VCO calibration time
- Mute pin with 200-ns mute/unmute time
- –45-dBc VCO leakage with doubler enabled
- Support for external VCO up to 22.6-GHz
- Synchronization of output phase across multiple devices
- Two differential RF outputs and one differential SYSREF output for JESD204B support

## 2 Applications

- Radar and electronic warfare
- 5G and mm-Wave wireless infrastructure
- Microwave backhaul
- Test and measurement equipment
- High-speed data converter clocking

## 3 Description

The LMX2820 is a high-performance, wideband synthesizer that can generate any frequency in the range of 45 MHz to 22.6 GHz. The high performance PLL with figure of merit of –236 dBc/Hz and high phase detector frequency can attain very low in-band noise and integrated jitter. The high-speed N-divider has no pre-divider, thus significantly reducing the amplitude and number of spurs. There is also a programmable input multiplier to mitigate integer boundary spurs.

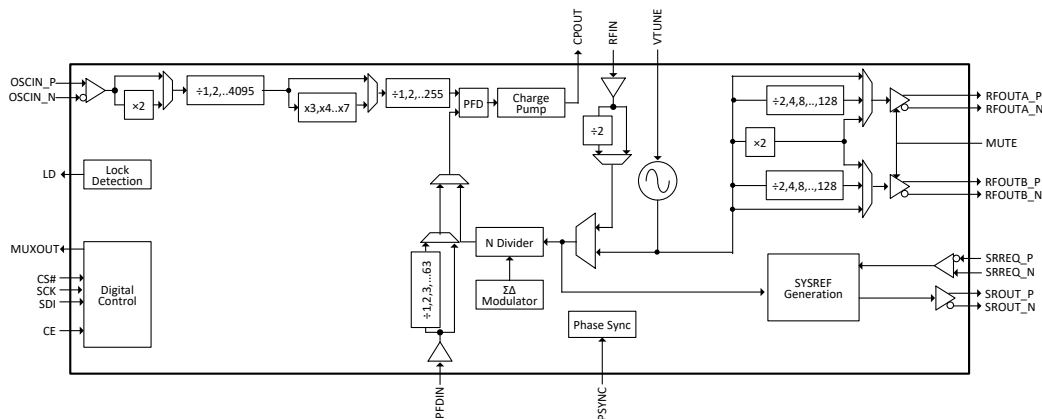
The LMX2820 allows users to synchronize the output of multiple devices and also enables applications that need deterministic delay between input and output. The fast calibration algorithm greatly reduces the VCO calibration time, enabling systems requiring fast frequency hopping. The LMX2820 can generate or repeat SYSREF that is compliant to the JESD204B standard, allowing for its use as a low-noise clock source for high-speed data converters. This synthesizer can also be used with an external VCO. A direct PFD input pin is provided to support offset mixing for low spurious transmission.

The device runs from a single 3.3-V supply and has integrated LDOs that eliminate the need for onboard low-noise LDOs.

### Device Information (1)

| PART NUMBER | PACKAGE   | BODY SIZE (NOM) |
|-------------|-----------|-----------------|
| LMX2820     | VQFN (48) | 7 mm x 7 mm     |

(1) For all available packages, see the orderable addendum at the end of the data sheet.



Functional Block Diagram



## Table of Contents

|  |    |  |    |
|--|----|--|----|
| <b>1 Features</b> .....                        | 1  | 7.4 Device Functional Modes.....                                 | 23 |
| <b>2 Applications</b> .....                    | 1  | <b>8 Application and Implementation</b> .....                    | 26 |
| <b>3 Description</b> .....                     | 1  | 8.1 Application Information.....                                 | 26 |
| <b>4 Revision History</b> .....                | 2  | 8.2 Typical Application.....                                     | 28 |
| <b>5 Pin Configuration and Functions</b> ..... | 3  | 8.3 Initialization and Power-on Sequencing .....                 | 30 |
| <b>6 Specifications</b> .....                  | 6  | <b>9 Power Supply Recommendations</b> .....                      | 32 |
| 6.1 Absolute Maximum Ratings .....             | 6  | <b>10 Layout</b> .....   | 32 |
| 6.2 ESD Ratings .....                          | 6  | 10.1 Layout Guidelines.....                                      | 32 |
| 6.3 Recommended Operating Conditions .....     | 6  | 10.2 Layout Example.....   | 33 |
| 6.4 Thermal Information .....                  | 6  | <b>11 Device and Documentation Support</b> .....                 | 34 |
| 6.5 Electrical Characteristics .....           | 7  | 11.1 Receiving Notification of Documentation Updates..           | 34 |
| 6.6 Timing Requirements .....                  | 10 | 11.2 Support Resources.....                                      | 34 |
| 6.7 Typical Characteristics.....               | 11 | 11.3 Trademarks.....   | 34 |
| <b>7 Detailed Description</b> .....            | 14 | 11.4 Electrostatic Discharge Caution.....                        | 34 |
| 7.1 Overview.....                              | 14 | 11.5 Glossary.....   | 34 |
| 7.2 Functional Block Diagram.....              | 15 | <b>12 Mechanical, Packaging, and Orderable Information</b> ..... | 34 |
| 7.3 Feature Description.....                   | 15 |  |    |

## 4 Revision History

NOTE: Page numbers for previous revisions may differ from page numbers in the current version.

### Changes from Revision B (December 2020) to Revision C (February 2021) Page

- Changed data sheet origin data from December 2018 to June 2020..... 1

### Changes from Revision A (November 2020) to Revision B (December 2020) Page

- Changed PSYNC pin description.....3
- Changed from V to V<sub>pp</sub>. Therefore numbers double, but actual voltage is the same..... 7
- Changed PFDIN sensitivity graph..... 11

### Changes from Revision \* (June 2020) to Revision A (November 2020) Page

- Updated the numbering format for tables, figures, and cross-references throughout the document.....1
- Changed data sheet status from: Advanced Information to: Production Data..... 1

## 5 Pin Configuration and Functions

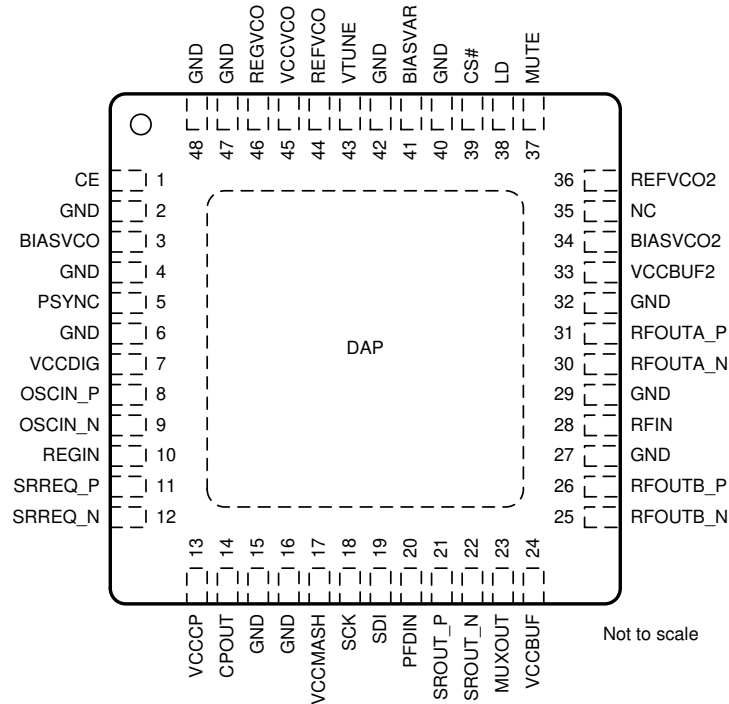


Figure 5-1. RTC Package 48-Pin VQFN Top View

Table 5-1. Pin Functions

| PIN                      |        | I/O | DESCRIPTION  |
|--------------------------|--------|-----|--|
| NAME                     | NO.(1) |     |  |
| <b>SUPPLY AND GROUND</b> |        |     |  |
| VCCBUF                   | 24     | P   | Output buffer supply. Connect to 3.3-V with a low-ESR, 0.1- $\mu$ F and a 1- $\mu$ F decoupling capacitor to ground. |
| VCCBUF2                  | 33     | P   | Buffer supply. Connect to 3.3-V with a low-ESR, 0.1- $\mu$ F and a 1- $\mu$ F decoupling capacitor to ground.        |
| VCCCP                    | 13     | P   | Charge pump supply. Connect to 3.3-V with a 1- $\mu$ F decoupling capacitor to ground.                               |
| VCCDIG                   | 7      | P   | Digital supply. Connect to 3.3-V with a low-ESR, 0.1- $\mu$ F and a 1- $\mu$ F decoupling capacitor to ground.       |
| VCCMASH                  | 17     | P   | Digital supply. Connect to 3.3-V with a low-ESR, 0.1- $\mu$ F and a 1- $\mu$ F decoupling capacitor to ground.       |
| VCCVCO                   | 45     | P   | VCO supply. Connect to 3.3-V with a low-ESR, 0.1- $\mu$ F and a 1- $\mu$ F decoupling capacitor to ground.           |

**Table 5-1. Pin Functions (continued)**

| PIN                    |        | I/O | DESCRIPTION   |
|------------------------|--------|-----|---|
| NAME                   | NO.(1) |     |   |
| GND                    | 2      | G   | Ground  |
|                        | 4      |     |   |
|                        | 6      |     |   |
|                        | 15     |     |   |
|                        | 16     |     |   |
|                        | 27     |     |   |
|                        | 29     |     |   |
|                        | 32     |     |   |
|                        | 40     |     |   |
|                        | 42     |     |   |
|                        | 47     |     |   |
| 48                     |        |     |   |
| DAP                    | —      | —   | Connect the GND pin to the exposed thermal pad for correct operation. Connect the thermal pad to any internal PCB ground plane using multiple vias for good thermal performance.  |
| NC                     | 35     | NC  | Connect to ground.  |
| <b>BIAS/LDO BYPASS</b> |        |     |   |
| BIASVAR                | 41     | B   | VCO varactor bias. Connect a 1- $\mu$ F decoupling capacitor to ground.   |
| BIASVCO                | 3      | B   | VCO bias. Connect a low-ESR capacitor in the range of 0.47- $\mu$ F (for fastest calibration time) to 4.7- $\mu$ F (for optimal in-band phase noise)  |
| BIASVCO2               | 34     | B   | VCO bias. Connect a 1- $\mu$ F decoupling capacitor to ground. Place close to pin.  |
| REFVCO2                | 36     | B   | VCO supply reference. Connect a 1- $\mu$ F decoupling capacitor to ground.  |
| REGIN                  | 10     | B   | Input reference path regulator decoupling. Connect a 1- $\mu$ F decoupling capacitor to ground. Place close to pin. An additional low-ESR, 0.1- $\mu$ F decoupling capacitor is recommended for high-frequency noise filtering. |
| REGVCO                 | 46     | B   | VCO regulator node. Connect a 1- $\mu$ F decoupling capacitor to ground.  |
| REFVCO                 | 44     | B   | VCO supply reference. Connect a 10- $\mu$ F decoupling capacitor to ground.   |
| <b>DIGITAL INPUTS</b>  |        |     |   |
| CE                     | 1      | I   | Chip Enable. High-impedance CMOS input. 1.8-V to 3.3-V logic. Active HIGH powers on the device.   |
| MUTE                   | 37     | I   | Buffer mute control. High-impedance CMOS input. 1.8-V to 3.3-V logic.   |
| PSYNC                  | 5      | I   | Phase synchronization with configurable input signal level. Connect with series 100 $\Omega$ to PSYNC signal, or to GND if not used.  |
| CS#                    | 39     | I   | SPI latch. High-impedance CMOS input. 1.8-V to 3.3-V logic.   |
| SCK                    | 18     | I   | SPI clock. High-impedance CMOS input. 1.8-V to 3.3-V logic.   |
| SDI                    | 19     | I   | SPI data. High-impedance CMOS input. 1.8-V to 3.3-V logic.  |
| <b>ANALOG INPUTS</b>   |        |     |   |
| OSCIN_P                | 8      | I   | Reference input clock (+). High impedance self-biasing pin. Requires AC coupling. If not being used, AC-couple it to ground through a 50- $\Omega$ resistor.  |
| PFDIN                  | 20     | I   | External PFD input. Self-biasing pin. Requires AC coupling and an external 50- $\Omega$ resistor to ground.   |
| RFIN                   | 28     | I   | External VCO input. Internal 50 $\Omega$ terminated. Requires AC coupling.  |
| OSCIN_N                | 9      | I   | Reference input clock (-). High impedance self-biasing pin. Requires AC coupling. If not being used, AC-couple it to ground through a 50- $\Omega$ resistor.  |
| SRREQ_P                | 11     | I   | Differential SYSREF input clock (+). Supports AC and DC coupling.   |
| VTUNE                  | 43     | I   | VCO tuning voltage input. Connect a 1.5-nF or more capacitor to VCO ground.   |
| SRREQ_N                | 12     | I   | Differential SYSREF input clock (-). Supports AC and DC coupling.   |

**Table 5-1. Pin Functions (continued)**

| PIN            |                    | I/O   | DESCRIPTION   |
|----------------|--------------------|-------|---|
| NAME           | NO. <sup>(1)</sup> |       |   |
| <b>OUTPUTS</b> |                    |       |   |
| CPOUT          | 14                 | O     | Charge pump output. Recommend connecting C1 of loop filter close to this pin. |
| LD             | 38                 | O     | Lock detect output. 3.3-V logic.  |
| MUXOUT         | 23                 | O     | SPI readback output. 3.3-V logic. High impedance when CE = LOW.               |
| RFOUTA_N       | 30                 | O, PU | Differential output A (-). Internal 50-Ω pullup. Requires AC coupling.        |
| RFOUTA_P       | 31                 | O, PU | Differential output A (+). Internal 50-Ω pullup. Requires AC coupling.        |
| RFOUTB_N       | 25                 | O, PU | Differential output B (-). Internal 50-Ω pullup. Requires AC coupling.        |
| RFOUTB_P       | 26                 | O, PU | Differential output B (+). Internal 50-Ω pullup. Requires AC coupling.        |
| SROUT_N        | 22                 | O, PU | Differential SYSREF output (-). Internal 50-Ω pullup.                         |
| SROUT_P        | 21                 | O, PU | Differential SYSREF output (+). Internal 50-Ω pullup.                         |

(1) The definitions below define the I/O type for each pin.

- P = Power supply
- G = Ground
- NC = No connect. Pin may be grounded or left unconnected.
- B = Bias/LDO Bypass
- I = Input
- O = Output
- PU = Pullup

## 6 Specifications

### 6.1 Absolute Maximum Ratings

over operating free-air temperature range (unless otherwise noted)<sup>(1)</sup>

|                  |                      | MIN  | MAX                  | UNIT |
|------------------|----------------------|------|----------------------|------|
| V <sub>CC</sub>  | Power supply voltage | -0.3 | 3.6                  | V    |
| V <sub>IN</sub>  | IO input voltage     |      | V <sub>CC</sub> +0.3 | V    |
| T <sub>J</sub>   | Junction temperature |      | 150                  | °C   |
| T <sub>stg</sub> | Storage temperature  | -65  | 150                  | °C   |

- (1) Stresses beyond those listed under *Absolute Maximum Rating* may cause permanent damage to the device. These are stress ratings only, which do not imply functional operation of the device at these or any other conditions beyond those indicated under *Recommended Operating Condition*. Exposure to absolute-maximum-rated conditions for extended periods may affect device reliability.

### 6.2 ESD Ratings

|                    |                         |  | VALUE | UNIT |
|--------------------|-------------------------|--|-------|------|
| V <sub>(ESD)</sub> | Electrostatic discharge | Human body model (HBM), per ANSI/ESDA/JEDEC JS-001, all pins <sup>(1)</sup>              | ±2000 | V    |
|                    |                         | Charged device model (CDM), per JEDEC specification JESD22-C101, all pins <sup>(2)</sup> | ±750  |      |

- (1) JEDEC document JEP155 states that 500-V HBM allows safe manufacturing with a standard ESD control process.  
 (2) JEDEC document JEP157 states that 250-V CDM allows safe manufacturing with a standard ESD control process.

### 6.3 Recommended Operating Conditions

over operating free-air temperature range (unless otherwise noted)

|                 |                      | MIN  | NOM | MAX  | UNIT |
|-----------------|----------------------|------|-----|------|------|
| T <sub>A</sub>  | Ambient temperature  | -40  |     | 85   | °C   |
| T <sub>J</sub>  | Junction temperature |      |     | 125  | °C   |
| V <sub>CC</sub> | Supply voltage       | 3.15 | 3.3 | 3.45 | V    |

### 6.4 Thermal Information

| THERMAL METRIC <sup>(1)</sup> |  | LMX2820    | UNIT |
|-------------------------------|--|------------|------|
|                               |  | RTC (VQFN) |      |
|                               |  | 48 PINS    |      |
| R <sub>θJA</sub>              | Junction-to-ambient thermal resistance       | 21.5       | °C/W |
| R <sub>θJC(top)</sub>         | Junction-to-case (top) thermal resistance    | 9.5        | °C/W |
| R <sub>θJB</sub>              | Junction-to-board thermal resistance         | 6.0        | °C/W |
| Ψ <sub>JT</sub>               | Junction-to-top characterization parameter   | 0.1        | °C/W |
| Ψ <sub>JB</sub>               | Junction-to-board characterization parameter | 5.9        | °C/W |
| R <sub>θJC(bot)</sub>         | Junction-to-case (bottom) thermal resistance | 0.6        | °C/W |

- (1) For more information about traditional and new thermal metrics, see the [Semiconductor and IC Package Thermal Metrics](#) application report.

## 6.5 Electrical Characteristics

3.15 V ≤ V<sub>CC</sub> ≤ 3.45 V, -40 °C ≤ T<sub>A</sub> ≤ 85 °C. Typical values are at V<sub>CC</sub> = 3.3 V, 25 °C (unless otherwise noted)

| PARAMETER                |   | TEST CONDITIONS  | MIN  | TYP  | MAX   | UNIT            |
|--------------------------|---|--|------|------|-------|-----------------|
| <b>POWER SUPPLY</b>      |   |  |      |      |       |                 |
| I <sub>CC</sub>          | Supply current                            | One direct RF output <sup>(1)</sup>                        |      | 500  |       | mA              |
|                          |   | One divided down RF output <sup>(2)</sup>                  |      | 580  |       |                 |
|                          |   | One RF output with VCO doubler enabled <sup>(3)</sup>      |      | 590  |       |                 |
|                          |   | RFIN External Feedback Mode, Internal VCO                  |      | 530  |       |                 |
|                          |   | PFDIN External Feedback Mode, Internal VCO <sup>(5)</sup>  |      | 455  |       |                 |
|                          |   | External VCO Mode <sup>(4)</sup>                           |      | 290  |       |                 |
| I <sub>CC</sub> POR      | Power-on-reset current                    |  |      | 234  |       |                 |
| I <sub>CC</sub> PD       | Power-down current                        |  |      | 10   |       |                 |
| <b>INPUT SIGNAL PATH</b> |   |  |      |      |       |                 |
| f <sub>OSCin</sub>       | OSCin input frequency                     | OSC_2X = 0 (Doubler bypassed)                              | 5    |      | 1400  | MHz             |
|                          |   | OSC_2X = 1 (Doubler enabled);<br>Single-ended input buffer | 5    |      | 250   |                 |
| V <sub>OSCin</sub>       | OSCin input voltage <sup>(6)</sup>        | Single-ended input buffer                                  | 0.3  |      | 3.6   | V <sub>pp</sub> |
|                          |   | Differential input buffer                                  | 0.1  |      | 1     |                 |
| f <sub>MULTin</sub>      | Multiplier input frequency                | MULT ≥ 3   | 30   |      | 70    | MHz             |
| f <sub>MULTout</sub>     | Multiplier output frequency               |  | 180  |      | 250   |                 |
| <b>PLL</b>               |   |  |      |      |       |                 |
| f <sub>PD</sub>          | Phase detector frequency <sup>(7)</sup>   | Integer channel  | 5    |      | 400   | MHz             |
|                          |   | 1 <sup>st</sup> and 2 <sup>nd</sup> order modulator        | 5    |      | 300   |                 |
|                          |   | 3 <sup>rd</sup> order modulator                            | 5    |      | 225   |                 |
| I <sub>CPout</sub>       | Charge pump current                       | CPG = 1  |      | 1.4  |       | mA              |
|                          |   | CPG = 8  |      | 2.8  |       |                 |
|                          |   | CPG = 4  |      | 5.6  |       |                 |
|                          |   | CPG = 12   |      | 8.4  |       |                 |
|                          |   | CPG = 15   |      | 15.4 |       |                 |
| PN <sub>PLL_1/f</sub>    | Normalized PLL 1/f noise <sup>(8)</sup>   |  |      | -134 |       |                 |
| PN <sub>PLL_Flat</sub>   | Normalized PLL noise floor <sup>(8)</sup> | Integer channel <sup>(9)</sup>                             |      |      | -236  | dBc/Hz          |
|                          |   | Fractional channel <sup>(10)</sup>                         |      |      | -236  |                 |
| f <sub>RFIN</sub>        | RFin input frequency                      |  | 1000 |      | 22600 | MHz             |
| P <sub>RFIN</sub>        | RFin input power                          |  | -10  |      | 5     | dBm             |
| RL <sub>RFIN</sub>       | RFin return loss                          | 2 GHz ≤ f <sub>RFin</sub> ≤ 22 GHz                         |      | -8   |       | dB              |
| f <sub>PFDIN</sub>       | PFDin input frequency                     |  | 20   |      | 2000  | MHz             |
| V <sub>PFDIN</sub>       | PFDin input voltage                       |  | 0.2  |      | 2     | V <sub>pp</sub> |
| <b>VCO</b>               |   |  |      |      |       |                 |
| f <sub>VCO</sub>         | VCO frequency                             |  | 5650 |      | 11300 | MHz             |

3.15 V ≤ V<sub>CC</sub> ≤ 3.45 V, -40 °C ≤ T<sub>A</sub> ≤ 85 °C. Typical values are at V<sub>CC</sub> = 3.3 V, 25 °C (unless otherwise noted)

| PARAMETER                   |                           | TEST CONDITIONS  |          | MIN                        | TYP    | MAX | UNIT   |
|-----------------------------|---------------------------|--|----------|----------------------------|--------|-----|--------|
| PN <sub>VCO</sub>           | Open-loop VCO phase noise | f <sub>VCO</sub> = 6.0 GHz   | 10 kHz   |                            | -77.0  |     | dBc/Hz |
|                             |                           |  | 100 kHz  |                            | -110.3 |     |        |
|                             |                           |  | 1 MHz    |                            | -131.9 |     |        |
|                             |                           |  | 10 MHz   |                            | -151.0 |     |        |
|                             |                           |  | 100 MHz  |                            | -159.5 |     |        |
|                             |                           | f <sub>VCO</sub> = 6.8 GHz   | 10 kHz   |                            | -76.5  |     |        |
|                             |                           |  | 100 kHz  |                            | -109.3 |     |        |
|                             |                           |  | 1 MHz    |                            | -130.7 |     |        |
|                             |                           |  | 10 MHz   |                            | -149.8 |     |        |
|                             |                           |  | 100 MHz  |                            | -159.3 |     |        |
|                             |                           | f <sub>VCO</sub> = 7.6 GHz   | 10 kHz   |                            | -75.8  |     |        |
|                             |                           |  | 100 kHz  |                            | -108.5 |     |        |
|                             |                           |  | 1 MHz    |                            | -130.2 |     |        |
|                             |                           |  | 10 MHz   |                            | -149.2 |     |        |
|                             |                           |  | 100 MHz  |                            | -159.2 |     |        |
|                             |                           | f <sub>VCO</sub> = 8.4 GHz   | 10 kHz   |                            | -74.7  |     |        |
|                             |                           |  | 100 kHz  |                            | -107.6 |     |        |
|                             |                           |  | 1 MHz    |                            | -129.4 |     |        |
|                             |                           |  | 10 MHz   |                            | -148.8 |     |        |
|                             |                           |  | 100 MHz  |                            | -159.0 |     |        |
|                             |                           | f <sub>VCO</sub> = 9.4 GHz   | 10 kHz   |                            | -76.0  |     |        |
|                             |                           |  | 100 kHz  |                            | -105.5 |     |        |
|                             |                           |  | 1 MHz    |                            | -128.0 |     |        |
|                             |                           |  | 10 MHz   |                            | -147.4 |     |        |
|                             |                           |  | 100 MHz  |                            | -157.9 |     |        |
|                             |                           | f <sub>VCO</sub> = 10.2 GHz  | 10 kHz   |                            | -75.9  |     |        |
|                             |                           |  | 100 kHz  |                            | -105.6 |     |        |
|                             |                           |  | 1 MHz    |                            | -127.5 |     |        |
|                             |                           |  | 10 MHz   |                            | -146.8 |     |        |
|                             |                           |  | 100 MHz  |                            | -157.6 |     |        |
|                             |                           | f <sub>VCO</sub> = 11.2 GHz  | 10 kHz   |                            | -75.4  |     |        |
|                             |                           |  | 100 kHz  |                            | -104.4 |     |        |
|                             |                           |  | 1 MHz    |                            | -126.4 |     |        |
|                             |                           |  | 10 MHz   |                            | -145.8 |     |        |
|                             |                           |  | 100 MHz  |                            | -156.5 |     |        |
|                             |                           | K <sub>VCO</sub>   | VCO gain | f <sub>VCO</sub> = 6.0 GHz |        | 95  |        |
| f <sub>VCO</sub> = 6.8 GHz  |                           |  |          | 108                        |        |     |        |
| f <sub>VCO</sub> = 7.6 GHz  |                           |  |          | 131                        |        |     |        |
| f <sub>VCO</sub> = 8.4 GHz  |                           |  |          | 140                        |        |     |        |
| f <sub>VCO</sub> = 9.4 GHz  |                           |  |          | 149                        |        |     |        |
| f <sub>VCO</sub> = 10.2 GHz |                           |  |          | 156                        |        |     |        |
| f <sub>VCO</sub> = 11.2 GHz |                           |  |          | 139                        |        |     |        |
| t <sub>VCOcal</sub>         | VCO calibration time      | f <sub>OSCin</sub> = f <sub>PD</sub> = 100 MHz;<br>Switch between 5.65 GHz and 11.3 GHz;<br>Using Instant Calibration<br>0.47 μF capacitor at V <sub>biasVCO</sub> pin |          | 2.5                        |        | μs  |        |



3.15 V ≤ V<sub>CC</sub> ≤ 3.45 V, -40 °C ≤ T<sub>A</sub> ≤ 85 °C. Typical values are at V<sub>CC</sub> = 3.3 V, 25 °C (unless otherwise noted)

| PARAMETER   |  | TEST CONDITIONS  |  | MIN | TYP                  | MAX             | UNIT |
|---|--|--|--|-----|----------------------|-----------------|------|
| ΔT <sub>CL</sub>  | Allowable temperature drift <sup>(11)</sup>                    | VCO not being recalibrated;<br>-40 °C ≤ T <sub>A</sub> ≤ 85 °C         |  |     |                      | 125             | °C   |
| <b>RF OUTPUT</b>  |  |  |  |     |                      |                 |      |
| f <sub>OUT</sub>  | RF output frequency  |  |  | 45  |                      | 22600           | MHz  |
| P <sub>OUT</sub>  | Single-ended output power <sup>(12)</sup>                      |  | f <sub>OUT</sub> = 22 GHz                                      |     | 3                    |                 | dBm  |
|   |  |  | f <sub>OUT</sub> = 11 GHz                                      |     | 5                    |                 |      |
|   |  |  | f <sub>OUT</sub> ≤ 5.5 GHz                                     |     | 6                    |                 |      |
| H <sub>1/2</sub>  | 1/2 harmonic <sup>(13)</sup>                                   | OUTx_PWR=7   | f <sub>OUT</sub> = 2 × f <sub>VCO</sub> = 22 GHz               |     | -45                  |                 | dBc  |
| H <sub>3/2</sub>  | 3/2 harmonic   |  | f <sub>OUT</sub> = 2 × f <sub>VCO</sub> = 11.3 GHz to 22.6 GHz |     | -65                  |                 |      |
| H <sub>2</sub>  | Second harmonic  |  | f <sub>VCO</sub> = f <sub>OUT</sub> = 11 GHz                   |     | -20                  |                 |      |
|   |  |  | f <sub>VCO</sub> = 11 GHz; f <sub>OUT</sub> = 5.5 GHz          |     | -35                  |                 |      |
| H <sub>3</sub>  | Third harmonic   |  | f <sub>OUT</sub> = 2 × f <sub>VCO</sub> = 11.3 GHz to 22.6 GHz |     | -25                  |                 |      |
| P <sub>MUTE</sub>   | Single-ended output power when output is muted <sup>(12)</sup> |  | f <sub>OUT</sub> = 22 GHz                                      |     | -32                  |                 | dBm  |
|   |  |  | f <sub>OUT</sub> = 11 GHz                                      |     | -32                  |                 |      |
|   |  |  | f <sub>OUT</sub> = 5.5 GHz                                     |     | -53                  |                 |      |
| t <sub>MUTE</sub>   | Mute enable time   | f <sub>OUT</sub> = 11 GHz  |  |     | 200                  |                 | ns   |
| t <sub>unMUTE</sub>                                       | Mute disable time  | f <sub>OUT</sub> = 11 GHz  |  |     | 200                  |                 |      |
| isoCH   | Channel to channel isolation                                   | f <sub>OUTA</sub> = 11 GHz; f <sub>OUTB</sub> = 5.5 GHz;<br>OUTx_PWR=7 |  |     | -40                  |                 | dBc  |
| <b>PHASE SYNCHRONIZATION</b>                              |  |  |  |     |                      |                 |      |
| f <sub>OSCin</sub> SYNC                                   | OSCin input frequency with SYNC                                | Category 3   |  | 5   |                      | 200             | MHz  |
| <b>DIGITAL INTERFACE (CE, SCK, SDI, CS#, PSYNC, MUTE)</b> |  |  |  |     |                      |                 |      |
| V <sub>IH</sub>   | High-level input voltage                                       |  |  | 1.2 |                      | V <sub>CC</sub> | V    |
| V <sub>IL</sub>   | Low-level input voltage  |  |  |     |                      | 0.6             |      |
| I <sub>IH</sub>   | High-level input current                                       | CS#, MUTE, CE  |  |     |                      | 25              | μA   |
|   |  | SCK, SDI, PSYNC  |  |     |                      | 70              |      |
| I <sub>IL</sub>   | Low-level input current  |  |  | -1  |                      |                 |      |
| V <sub>OH</sub>   | High-level output voltage                                      | MUXout, LD   | Load current = -3 mA   |     | V <sub>CC</sub> -0.5 |                 | V    |
| V <sub>OL</sub>   | Low-level output voltage                                       |  | Load current = 3 mA  |     |                      | 0.4             |      |

- (1) f<sub>OSCin</sub> = f<sub>PD</sub> = 100 MHz; f<sub>VCO</sub> = f<sub>OUT</sub> = 11 GHz; P<sub>OUT</sub> = 0 dBm; OSC\_2X = 0; MULT = 1.
- (2) f<sub>OSCin</sub> = f<sub>PD</sub> = 100 MHz; f<sub>VCO</sub> = 11 GHz; f<sub>OUT</sub> = 5.5 GHz; P<sub>OUT</sub> = 0 dBm; OSC\_2X = 0; MULT = 1.
- (3) f<sub>OSCin</sub> = f<sub>PD</sub> = 100 MHz; f<sub>VCO</sub> = 11 GHz; f<sub>OUT</sub> = 22 GHz; P<sub>OUT</sub> = 0 dBm; OSC\_2X = 1; MULT = 1.
- (4) f<sub>OSCin</sub> = f<sub>PD</sub> = 100 MHz; f<sub>RFin</sub> = 11 GHz; f<sub>OUT</sub> = 11 GHz (from external VCO); OSC\_2X = 0; MULT = 1.
- (5) f<sub>OSCin</sub> = f<sub>PD</sub> = 100 MHz; f<sub>PFDin</sub> = 2 GHz; f<sub>OUT</sub> = 11 GHz (from external VCO); OSC\_2X = 0; MULT = 1.
- (6) See applications section for definition of OSCin input voltage.
- (7) For lower VCO frequencies, the N-divider minimum value can limit the phase detector frequency.
- (8) Measured with a clean OSCin signal with a high slew rate using a wide loop bandwidth. The noise metrics model the PLL noise for an infinite loop bandwidth as: PLL<sub>Total</sub> = 10·log[10<sup>(PLL\_Flat/10)</sup>+10<sup>(PLL\_Flicker/10)</sup>]; PLL<sub>Flat</sub> = PN1 Hz + 20·log(N) + 10·log(f<sub>PD</sub>); PLL<sub>Flicker</sub> = PN10 kHz - 10·log(Offset/10 kHz) + 20·log(f<sub>OUT</sub>/1 GHz).
- (9) f<sub>OSCin</sub> = 100 MHz, f<sub>PD</sub> = 200 MHz; f<sub>VCO</sub> = f<sub>OUT</sub> = 11 GHz.
- (10) f<sub>OSCin</sub> = f<sub>PD</sub> = 100 MHz; f<sub>VCO</sub> = f<sub>OUT</sub> = 10.999 GHz; Fractional denominator = 1000.
- (11) Not tested in production. Ensured by characterization. Allowable temperature drift refers to programming the device at an initial temperature and allowing this temperature to drift WITHOUT reprogramming the device, and still have the device stay at lock. This change could be up or down in temperature and the specification does not apply to temperatures that go outside the recommended operating temperatures of the device.

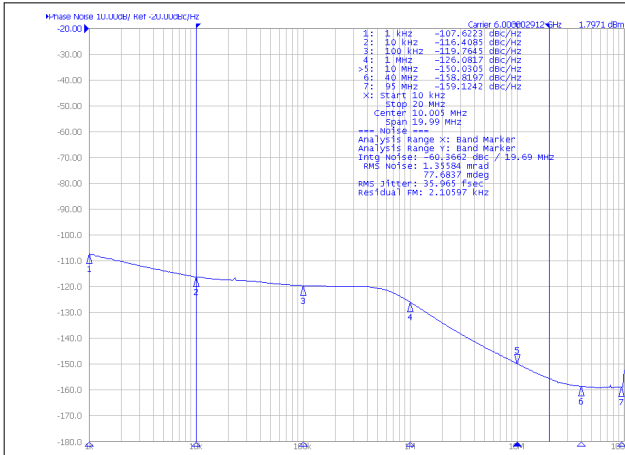
- (12) Measured with one of the RF output differential pair pins, the unused pin is 50-Ω terminated. See applications section for details.
- (13) One RF output is active. Measured differentially with JSO-51-471/6S balun. Consult typical performance plots to see how this varies over conditions.

## 6.6 Timing Requirements

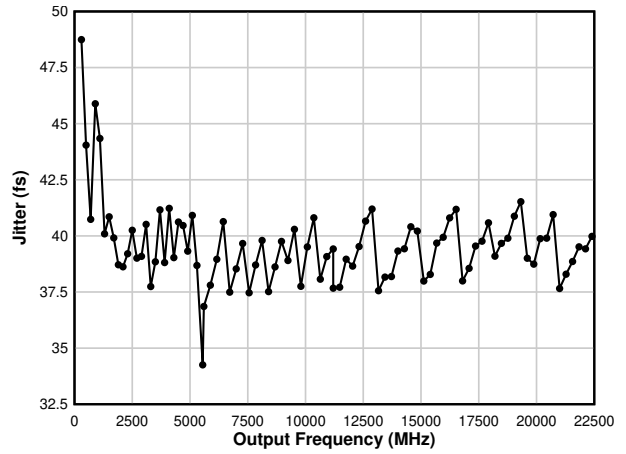
$3.15\text{ V} \leq V_{CC} \leq 3.45\text{ V}$ ,  $-40\text{ }^{\circ}\text{C} \leq T_A \leq 85\text{ }^{\circ}\text{C}$ . Typical values are at  $V_{CC} = 3.3\text{ V}$ ,  $25\text{ }^{\circ}\text{C}$  (unless otherwise noted)

| PARAMETER                            |                          | TEST CONDITIONS           | MIN | NOM | MAX | UNIT |
|--------------------------------------|--------------------------|---------------------------|-----|-----|-----|------|
| <b>SERIAL INTERFACE WRITE TIMING</b> |                          |                           |     |     |     |      |
| $f_{SCK}$                            | SCK frequency            | $1 / (t_{CWL} + t_{CWH})$ |     |     | 40  | MHz  |
| $t_{CE}$                             | SCK to CSB low time      |                           | 5   |     |     | ns   |
| $t_{CS}$                             | SDI to SCK setup time    |                           | 2   |     |     | ns   |
| $t_{CH}$                             | SDI to SCK hold time     |                           | 2   |     |     | ns   |
| $t_{CWH}$                            | SCK pulse width high     |                           | 10  |     |     | ns   |
| $t_{CWL}$                            | SCK pulse width low      |                           | 10  |     |     | ns   |
| $t_{CES}$                            | CSB to SCK setup time    |                           | 10  |     |     | ns   |
| $t_{EWH}$                            | CSB pulse width high     |                           | 3   |     |     | ns   |
| <b>SERIAL INTERFACE READ TIMING</b>  |                          |                           |     |     |     |      |
| $f_{SCK}$                            | SCK frequency            | $1 / (t_{CWL} + t_{CWH})$ |     |     | 40  | MHz  |
| $t_{CE}$                             | SCK to CSB low time      |                           | 5   |     |     | ns   |
| $t_{CS}$                             | SDI to SCK setup time    |                           | 2   |     |     | ns   |
| $t_{CH}$                             | SDI to SCK hold time     |                           | 2   |     |     | ns   |
| $t_{CWH}$                            | SCK pulse width high     |                           | 10  |     |     | ns   |
| $t_{CWL}$                            | SCK pulse width low      |                           | 10  |     |     | ns   |
| $t_{CES}$                            | CSB to SCK setup time    |                           | 10  |     |     | ns   |
| $t_{EWH}$                            | CSB pulse width high     |                           | 3   |     |     | ns   |
| $t_{OD}$                             | SCK to MUXout delay time |                           |     |     | 10  | ns   |
| <b>SYNC AND SYSREFREQ TIMING</b>     |                          |                           |     |     |     |      |
| $t_{CS}$                             | Pin to OSCin setup time  |                           | 2.5 |     |     | ns   |
| $t_{CH}$                             | Pin to OSCin hold time   |                           | 2   |     |     | ns   |

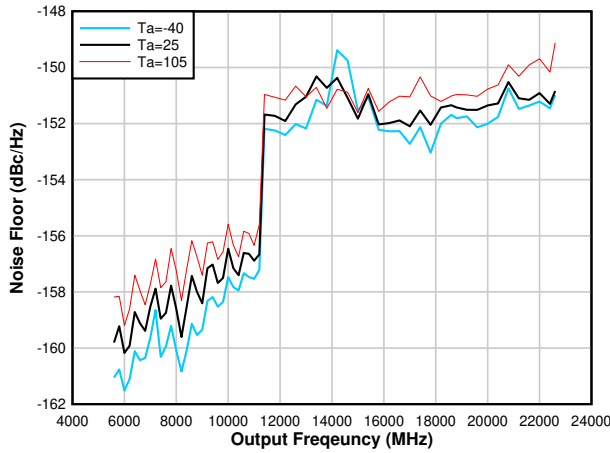
### 6.7 Typical Characteristics



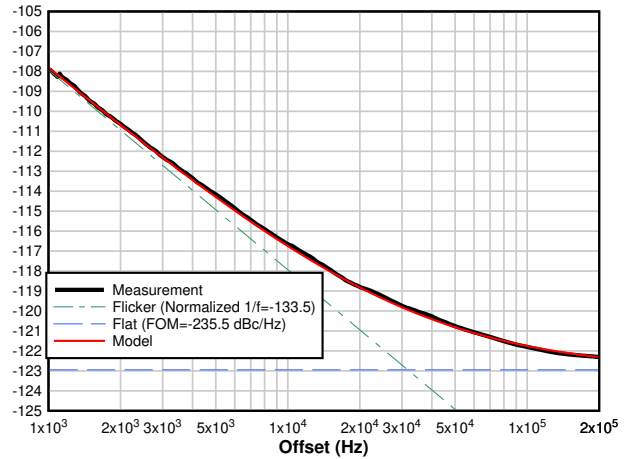
$f_{OUT} = 6$  GHz,  $f_{PD} = 200$  MHz, Jitter = 36 fs 12k-20 MHz  
**Figure 6-1. Closed-Loop Noise**



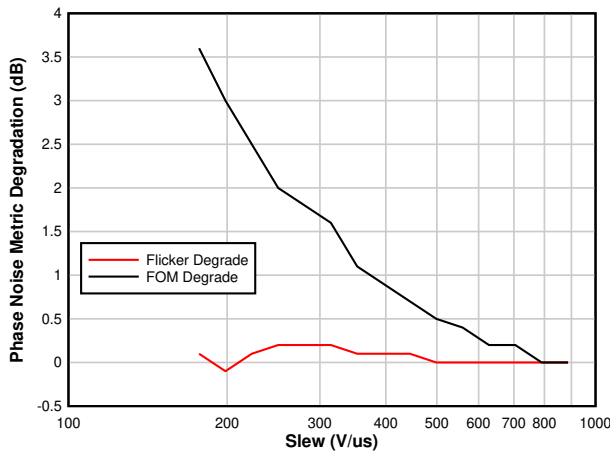
Integration Range is 12k-20 MHz  
**Figure 6-2. Integrated Jitter**



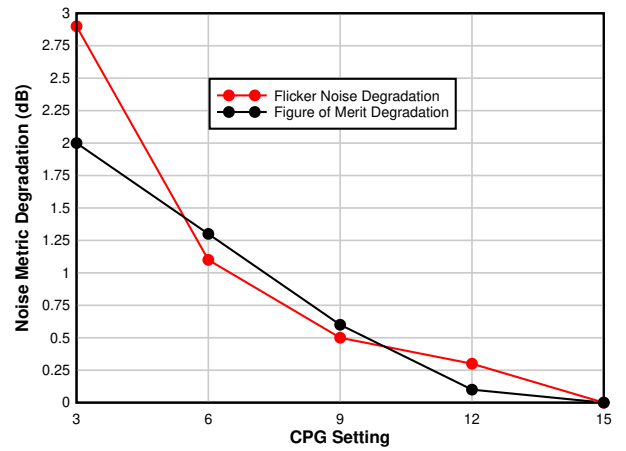
**Figure 6-3. Noise Floor**



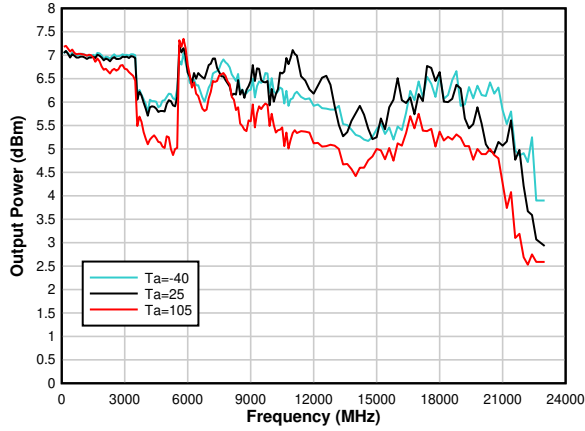
$f_{OSC} = 100$  MHz,  $f_{PD} = 200$  MHz,  $f_{OUT} = 6$  GHz,  $OSC\_2X = 1$   
Use of input doubler slightly degrades PLL noise metrics.  
**Figure 6-4. PLL Noise Metrics**



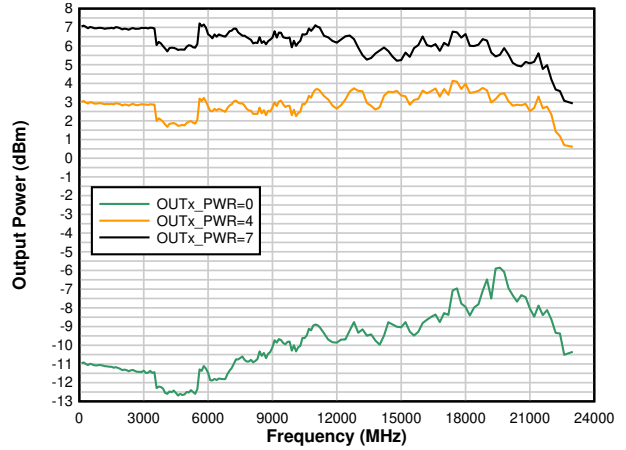
**Figure 6-5. PLL Noise Metric Degradation vs. OSCin Slew Rate**



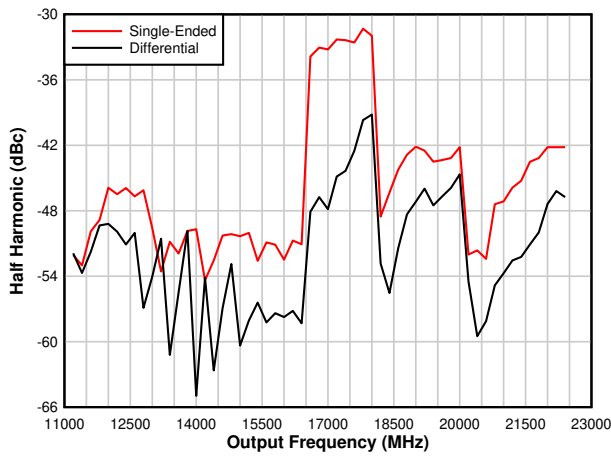
**Figure 6-6. IPLL Noise Metric Degradation vs. Charge Pump Gain**



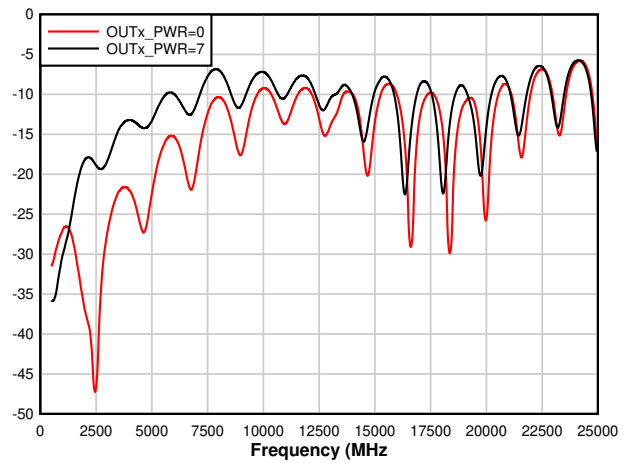
Single-ended, OUTx\_PWR=7, board losses de-embedded  
**Figure 6-7. Output Power vs. Temperature**



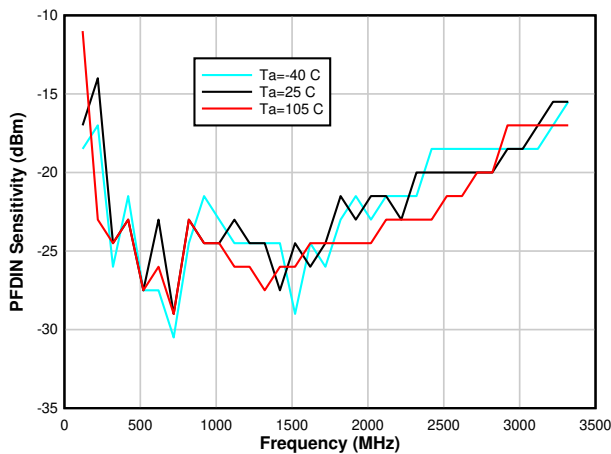
**Figure 6-8. Output Power vs. OUTx\_PWR**



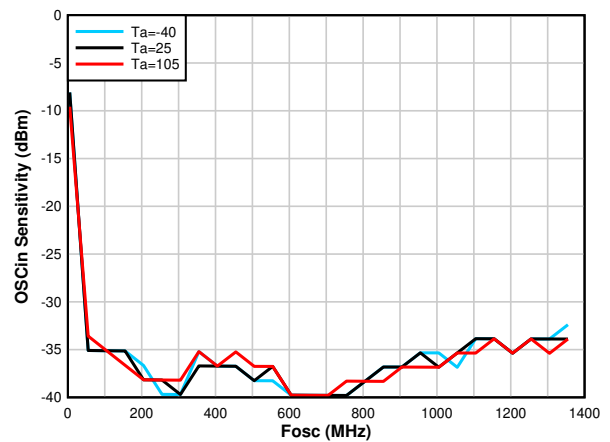
**Figure 6-9. Output Half Harmonic with Doubler Enabled**



**Figure 6-10. RF Output Return Loss**



**Figure 6-11. PFDIN Pin Input Sensitivity**



**Figure 6-12. OSCin Input Sensitivity**

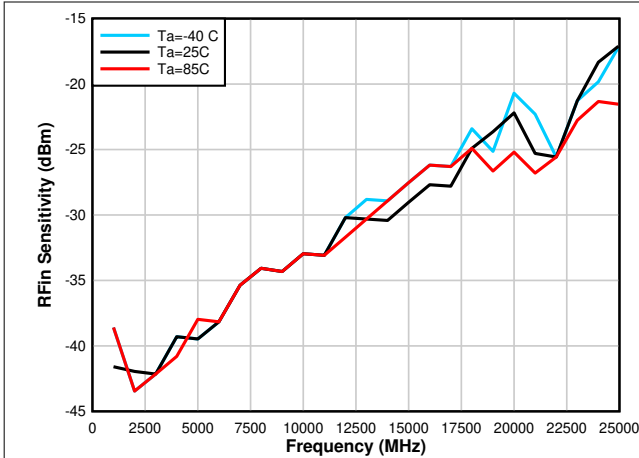


Figure 6-13. RFIN Input Sensitivity

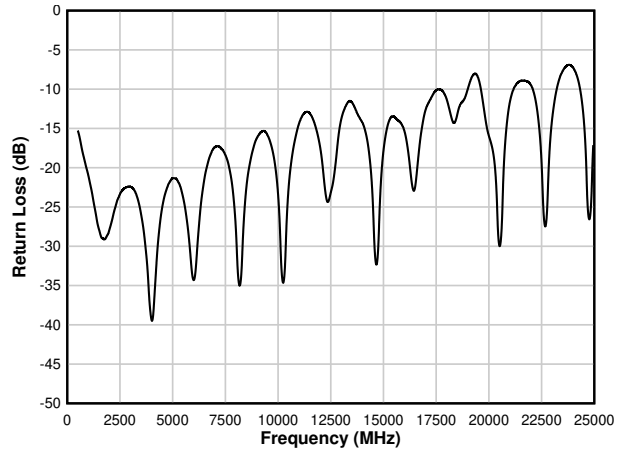
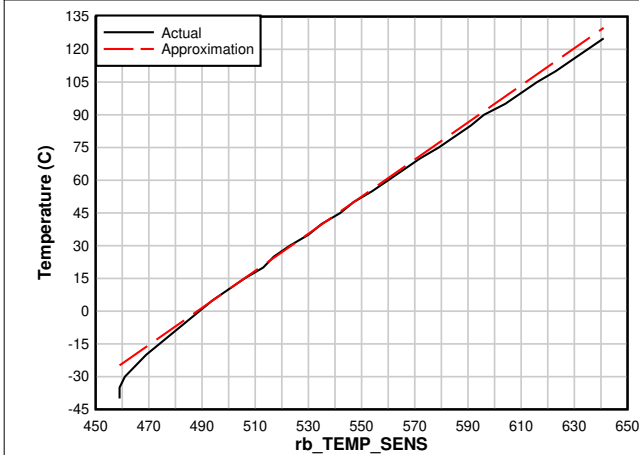
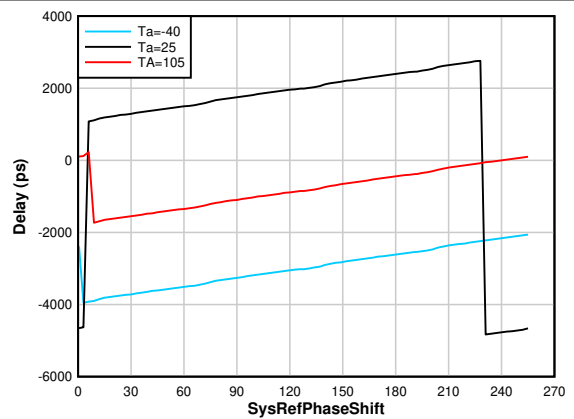


Figure 6-14. RFIN Return Loss



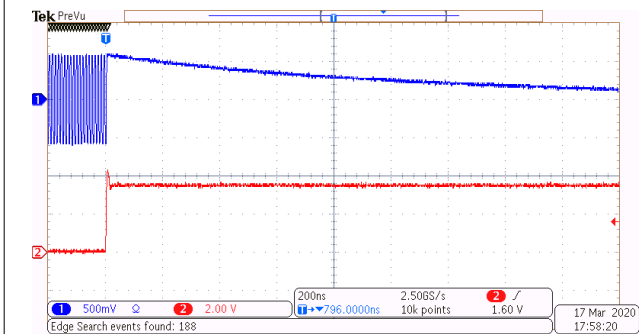
Approximation =  $0.85 * rb\_TEMP\_SENS - 415$

Figure 6-15. Temperature Sensor Readback



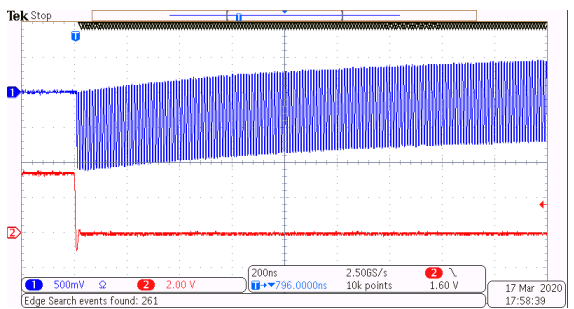
$f_{VCO} = 8.4$  GHz, SYSREF\_DIV\_PRE=8, Step Size=7.6 ps

Figure 6-16. SysRef Delays vs Temperature



This is showing the output is muted in well under 200 ns

Figure 6-17. Mute Pin Disable Output Time



Output is unmuted in under 200  $\mu$ s. DC bias level can stabilize faster if smaller AC-coupling capacitor is used.

Figure 6-18. Mute Pin Enable Output Time

## 7 Detailed Description

### 7.1 Overview

The LMX2820 is a high-performance, wideband frequency synthesizer with an integrated VCO and output divider. The VCO operates from 5.65 GHz to 11.3 GHz, and this can be combined with the output divider and doubler to produce any frequency in the range of 45 MHz to 22.6 GHz. Within the input path, there are two dividers and a multiplier for flexible frequency planning. The multiplier also allows the reduction of spurs by moving the frequencies away from the integer boundary. The PLL is fractional-N PLL with a programmable delta-sigma modulator up to third order. The fractional denominator is a programmable 32-bit long, which can easily provide fine frequency steps below 1-Hz resolution, or be used to do exact fractions like 1/3, 7/1000, and many others. The phase frequency detector goes up to 300 MHz in fractional mode or 400 MHz in integer mode, although minimum N-divider values must also be taken into account. For applications where deterministic or adjustable phase is desired, the PSYNC Pin can be used to get the phase relationship between the OSCIN and RFOUT pins deterministic. When this is done, the phase can be adjusted in very fine steps of the VCO period divided by the fractional denominator. The ultra-fast VCO calibration is designed for applications where the frequency must be swept or abruptly changed. The JESD204B support includes using the SROUT output to create a differential SYSREF output that can be either a single pulse or a series of pulses that occur at a programmable distance away from the rising edges of the output signal. The LMX2820 device requires only a single 3.3-V power supply. The internal power supplies are provided by integrated LDOs, eliminating the need for high-performance external LDOs. The digital logic for the SPI interface and is compatible with voltage levels from 1.8 V to 3.3 V. [Table 7-1](#) shows the range of several of the dividers, multipliers, and fractional settings.

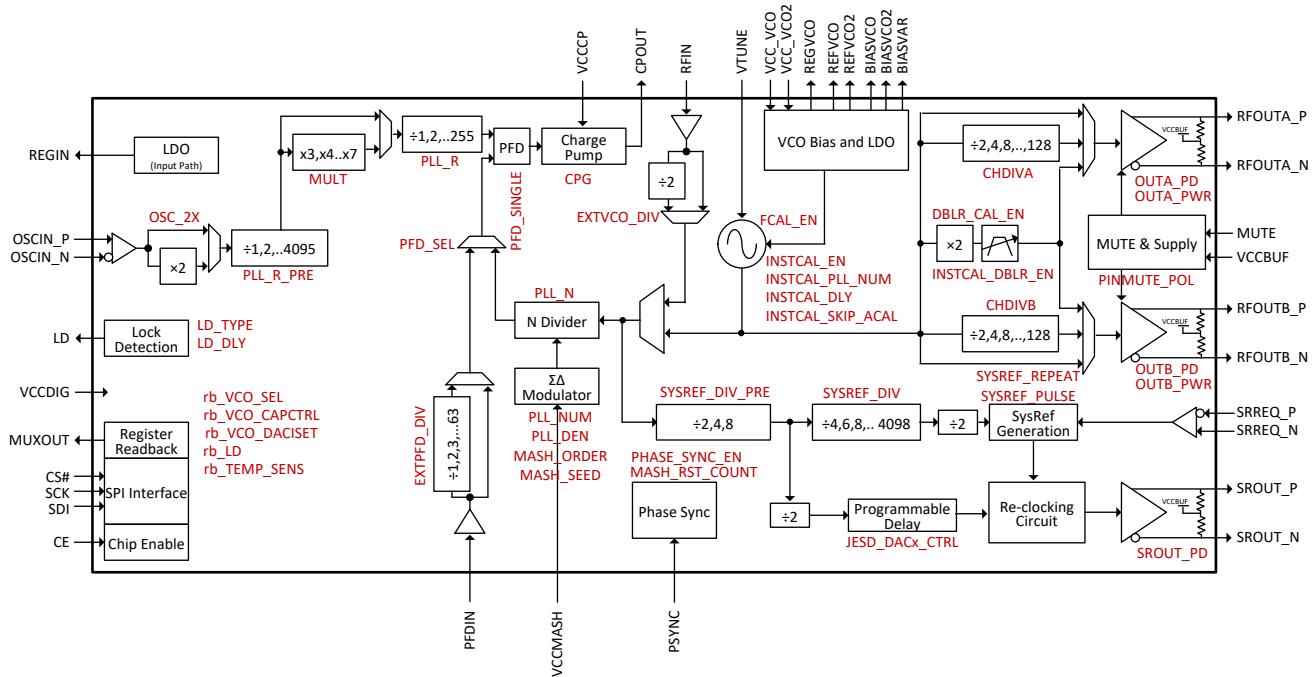
**Table 7-1. Dividers, Multipliers, and Fractional Settings**

| BLOCK        | SUB-BLOCK              | FIELD          | MIN         | MAX                       | COMMENTS  |
|--------------|------------------------|----------------|-------------|---------------------------|---|
| Input Path   | Doubler                | OSC_2X         | 0<br>(= 1X) | 1 (= 2X)                  | The low noise doubler can be used to increase the phase detector frequency to improve phase noise and avoid spurs.                              |
|              | Pre-R Divider          | PLL_R_PRE      | 1           | 4095                      | Only use the Pre-R divider if the frequency is too high for the input multiplier or for the Post-R divider.                                     |
|              | Input Multiplier       | MULT           | 3           | 7                         | The input multiplier is effective for spur avoidance, increases PLL noise.  |
|              | Post-R Divider         | PLL_R          | 1           | 255                       | The maximum input frequency for this divider is 500 MHz for PLLR=2 and 250 MHz for PLL_R>2. Use the Pre-R divider if necessary.                 |
| N Divider    | N Divider              | PLL_N          | ≥ 12        | 32767                     | The minimum divide depends on the modulator order, VCO frequency/core, and choice of internal/external VCO.                                     |
|              | Fractional numerator   | PLL_NUM        | 1           | $2^{32} - 1 = 4294967295$ | PLL_NUM should be smaller than PLL_DEN  |
|              | Fractional Denominator | PLL_DEN        | 0           | $2^{32} - 1 = 4294967295$ | The fractional denominator is programmable and can assume any value between 1 and $2^{32} - 1$ ; it is not a fixed denominator.                 |
|              | Fractional Order       | MASH_ORDER     | 0           | 3                         | The fractional order is programmable from 0 to 3; 0 is integer mode.  |
| PFDIN Path   | PFD Input Divider      | EXTPFD_DIV     | 1           | 63                        |   |
| External VCO | External VCO Divider   | EXTVCO_DIV     | 1           | 2                         | If the VCO frequency exceeds 11.3 GHz, then use divide by 2, otherwise use divide by 1 (bypass).  |
| SYSREF       | Pre-Divider            | SYSREF_DIV_PRE | 1           | 4                         | Supports 1, 2 and 4 ONLY. There is an additional divide-by-2 in this block. The total pre-divider value is $2 \times \text{SYSREF\_DIV\_PRE}$ . |
|              | Divider                | SYSREF_DIV     | 0           | 2047                      | Total divider value is $2 + \text{SYSREF\_DIV}$ .   |
|              | Extra Divide           | None           | 4           | 4                         | This is a fixed divide-by-4 divider.  |

**Table 7-1. Dividers, Multipliers, and Fractional Settings (continued)**

| BLOCK   | SUB-BLOCK        | FIELD  | MIN | MAX   | COMMENTS  |
|---------|------------------|--------|-----|-------|---|
| Outputs | OUTA Divider     | CHDIVA | 2   | 128   | This is a power-of-2 divider that supports 2, 4, 8, 16, 32, 64 and 128.   |
|         | OUTB Divider     | CHDIVB | 2   | 128   | This is a power-of-2 divider that supports 2, 4, 8, 16, 32, 64 and 128.   |
|         | Output Frequency | n/a    | 45  | 22600 | Below 5.65 GHz, the channel divider is used. 5.65 - 11.23 GHz is direct VCO. 11.3 - 22.6 GHz is using the output doubler. |

## 7.2 Functional Block Diagram



## 7.3 Feature Description

### 7.3.1 Reference Oscillator Input

The OSCIN pins are used as a frequency reference input to the device. The input is high impedance and requires AC-coupling caps at the pin. A CMOS clock or XO can drive the single-ended OSCIN pins. Differential clock input is also supported, making it easier to interface with high-performance system clock devices such as TI's LMK series clock devices. As the OSCIN signal is used as a clock for the VCO calibration, a proper reference signal must be applied at the OSCIN pin at the time of the VCO needs to calibrate.

### 7.3.2 Input Path

The reference path consists of an OSCIN doubler (OSC\_2X), Pre-R divider, multiplier (MULT) and a Post-R divider. The OSCIN doubler (OSC\_2X) can double up low OSCIN frequencies. Pre-R (PLL\_R\_PRE) and Post-R (PLL\_R) dividers both divide frequency down while the multiplier (MULT) multiplies frequency up. The purposes of adding a multiplier is to reduce integer boundary spurs or to increase the phase detector frequency. Use Equation 1 to calculate the phase detector frequency,  $f_{PD}$ :

$$f_{PD} = f_{OSC} \times OSC\_2X \times MULT / (PLL\_R\_PRE \times PLL\_R) \quad (1)$$

#### 7.3.2.1 Input Path Doubler (OSC\_2X)

The OSCIN doubler allows one to double the input reference frequency up to 500 MHz. This doubler adds minimal noise and is useful for raising the phase detector frequency for better phase noise and also to avoid

spurs. When the phase-detector frequency is increased, the flat portion of the PLL phase noise improves. There are a few considerations when using the Input Path Doubler:

- The doubler works by acting on both the rising and falling edges of the input signal.
- The duty cycle needs to be close to 50%, or else the spurs will be very high.
- Using the Input Path Doubler degrades the PLL flicker noise and figure of merit by about 1 dB. However, the benefit of the higher phase detector frequency outweighs this.

### 7.3.2.2 Pre-R Divider (PLL\_R\_PRE)

The Pre-R divider serves the purpose of reducing the input frequency if it is too high for the input of the programmable multiplier (MULT) or post R divider.

### 7.3.2.3 Programmable Input Multiplier (MULT)

The MULT is useful for shifting the phase-detector frequency to avoid integer boundary spurs. The multiplier allows a multiplication of 3, 4, 5, 6, or 7. There are some considerations when using the input multiplier:

- The programmable input multiplier cannot be used at the same time that the Input Path Doubler is used.
- The programmable input multiplier degrades the PLL figure of merit by about 8 dB; it is for spur mitigation, not PLL noise improvement.
- The programmable input multiplier is most effective when VCO frequency is not close to a multiple of the OSCIN frequency.

### 7.3.2.4 R Divider (PLL\_R)

The Post-R divider further divides down the frequency to the phase detector frequency. When it is used with PLL\_R=2, the maximum input frequency to this divider is limited to 500 MHz. When it is used with PLL\_R>2 then the maximum frequency to this divider is limited to 250 MHz.

## 7.3.3 PLL Phase Detector and Charge Pump

The phase detector compares the outputs of the R divider and N-divider, and generates a correction current corresponding to the phase error until the two signals are aligned in-phase. This charge-pump current is software programmable to many different levels, allowing modification of the closed-loop bandwidth of the PLL. See [Section 8.1](#) for more information. The polarity of the phase detector is configurable in order to suit for active loop filter application.

## 7.3.4 N Divider and Fractional Circuitry

The complete N divider divides down the VCO frequency to the phase detector frequency ( $f_{PD}$ ). The output frequency of the VCO is changed by changing this total N divider value. The total N divider value consists of an integer portion and a fractional portion as shown in [Equation 2](#):

$$N_{Total} = N_{Integer} + N_{Fractional} = PLL\_N + (PLL\_NUM / PLL\_DEN) \quad (2)$$

### 7.3.4.1 Integer N Divide Portion (PLL\_N)

Due to the requirements of the total N divider value to handle fractions and also high frequency, there are limitations based the modulator order and VCO frequency.

When using the internal VCO, the true minimum N divide is based on the VCO core. The VCO core frequencies may shift some with process, so the most reasonable thing to do is based this on worst case assumption for the VCO Core.

**Table 7-2. Minimum N Divider Value for Internal VCO**

| $f_{VCO}$       | WORST CASE CORE | MASH_ORDER = 0 | MASH_ORDER = 1 | MASH_ORDER = 2 | MASH_ORDER = 3 |
|-----------------|-----------------|----------------|----------------|----------------|----------------|
| 5.65 - 6.35 GHz | VCO1            | 12             | 18             | 19             | 24             |
| 6.35 - 7.3 GHz  | VCO2            | 14             | 21             | 22             | 26             |
| 7.3 - 8.1 GHz   | VCO3            | 16             | 23             | 24             | 26             |
| 8.1 - 9.0 GHz   | VCO4            | 16             | 26             | 27             | 29             |



**Table 7-2. Minimum N Divider Value for Internal VCO (continued)**

| $f_{VCO}$       | WORST CASE CORE | MASH_ORDER = 0 | MASH_ORDER = 1 | MASH_ORDER = 2 | MASH_ORDER = 3 |
|-----------------|-----------------|----------------|----------------|----------------|----------------|
| 9.0 - 9.8 GHz   | VCO5            | 18             | 28             | 29             | 31             |
| 9.8 - 10.6 GHz  | VCO6            | 18             | 30             | 31             | 33             |
| 10.6 - 11.3 GHz | VCO7            | 20             | 33             | 34             | 36             |

For the external VCO, the minimum N divides are slightly different. In cases where the VCO frequency is higher than 11.3 GHz, the VCO frequency must be divided by 2 by setting EXTVCO\_DIV bit.

**Table 7-3. Minimum N Divider for External VCO**

| $f_{RFIN}$ / (RFIN Divider) | MASH_ORDER = 0 | MASH_ORDER = 1 | MASH_ORDER = 2 | MASH_ORDER = 3 |
|-----------------------------|----------------|----------------|----------------|----------------|
| 0.5 - 4 GHz                 | 12             | 12             | 14             | 20             |
| 4 - 5.5 GHz                 | 12             | 15             | 18             | 24             |
| 5.5 - 7 GHz                 | 14             | 18             | 20             | 26             |
| 7 - 8.5 GHz                 | 16             | 23             | 24             | 26             |
| 8.5 - 10 GHz                | 20             | 28             | 29             | 35             |
| 10 GHz - 11.3 GHz           | 20             | 32             | 33             | 35             |

#### 7.3.4.2 Fractional N Divide Portion (PLL\_NUM and PLL\_DEN)

The N-divider includes fractional compensation and can achieve any fractional denominator from 1 to  $(2^{32} - 1)$ . The fractional portion of the total N divide value is  $N_{\text{Fractional}} = \text{PLL\_NUM} / \text{PLL\_DEN}$ . The higher the denominator, the finer the resolution step of the output. For example, even when using  $f_{PD} = 200$  MHz, the output can increment in steps of  $200 \text{ MHz} / (2^{32} - 1) = 0.047$  Hz.

#### 7.3.4.3 Modulator Order (MASH\_ORDER)

The fractional modulator order is programmable and has an impact on spurs. Theoretically, the higher order the fractional modulator order, the more it pushes the lower frequency spur energy to higher frequency. However, higher order modulators add more noise and increase the minimum N divide ratio. Modulator orders higher than one can create sub-fractional spurs, depending on the value of FDEN, which is the value of the denominator of the fraction  $\text{PLL\_NUM} / \text{PLL\_DEN}$ , after it is reduced to the lowest terms.

**Table 7-4. Rough Guidelines for Choosing MASH\_ORDER**

| MASH_ORDER          | WHEN TO USE  |
|---------------------|--|
| Integer Mode        | Integer mode (MASH_ORDER = 0) is good when the fractional circuitry is not needed. It has the advantage that it allows the lowest N divider value. Be aware that the output phase cannot be shifted with MASH_SEED in integer mode.  |
| 1st Order Modulator | The first order modulator is good for situations where the fractional denominator is small. Theoretically, if $\text{FDEN} < 7$ , then all the fractional spurs will be lowest with the first order modulator. If the fraction is divisible by 2, then there will be sub-fractional spurs which one has to trade-off with the primary spur level. If the primary fractional spur at offset of $f_{PD} / \text{FDEN}$ is far outside the loop bandwidth, this is often a good choice. |
| 2nd Order Modulator | The second order modulator gives good spurs. If FDEN is odd, then there are no sub-fractional spurs, so situations where $\text{FDEN} > 8$ and FDEN is odd, this might make sense. If FDEN is very large, like 1000000, then the fraction is likely well-randomized and one might consider a third-order modulator, if it does not overly restrict the N divider value.  |
| 3rd Order Modulator | The third-order modulator is a good general purpose starting point if $\text{FDEN} > 9$ and FDEN is not divisible by 3.  |

#### 7.3.5 LD Pin Lock Detect

Lock detect gives a rough indication of whether or not the PLL is in lock. There are two general types of lock detect supported: calibration status and indirect vtune. The calibration status lock detect starts low when the VCO begins calibration. If LD\_VTUNE\_EN=1, then an additional 4xLD\_DLY phase detector cycles is added to this delay. The indirect vtune lock detect works by creating an indirect internal voltage that is intended to mimic

the actual voltage at the VTUNE pin. When this voltage goes out of range, the Vtune lock detect is low. The calibration status and Vtune lock detect can be combined as well. In situations where the VCO calibration is bypassed, such as full assist mode or instant calibration, then this lock detect serves just the Vtune function.

### 7.3.6 MUXOUT Pin and Readback

Readback is useful for getting information regarding the device status. Fields that can be read back are:

1. Raw register values to confirm programming.
2. VCO lock detect status (rb\_LD).
3. VCO calibration information (rb\_VCO\_SEL; rb\_VCO\_CAPCTRL; rb\_VCO\_DACISSET).
4. Die temperature (rb\_TEMP\_SENS). To use this feature, set TEMPSENSE = 1. [Equation 3](#) calculates the readback temperature:

$$\text{Temperature [}^{\circ}\text{C]} = 0.85 \times \text{rb\_TEMP\_SENSE} - 415 \quad (3)$$

Measurement accuracy is  $\pm 5^{\circ}\text{C}$ .

### 7.3.7 Internal VCO

The LMX2820 includes a fully integrated VCO. The VCO takes the voltage from the loop filter and converts this into a frequency. The VCO frequency is related to the other frequencies as  $f_{\text{VCO}} = f_{\text{PD}} \times (\text{PLL\_N} + \text{PLL\_NUM} / \text{PLL\_DEN})$ .

#### 7.3.7.1 VCO Calibration

To reduce the VCO tuning gain and therefore improve the VCO phase-noise performance, the VCO frequency range is divided into several different frequency bands. The entire range, 5.65 to 11.3 GHz covers an octave that allows the divider to take care of frequencies below the lower bound. This creates the need for frequency calibration to determine the correct frequency band given a desired output frequency. The frequency calibration routine is activated any time that the R0 register is programmed with the FCAL\_EN = 1. It is important that a valid OSCIN signal must present before VCO calibration begins. The VCO also has an internal amplitude calibration algorithm to optimize the phase noise which is also activated any time the R0 register is programmed. The optimum internal settings for this are temperature dependent. The maximum allowable drift for continuous lock,  $\Delta\text{TCL}$ , is stated in the electrical specifications. For this device, a number of 125  $^{\circ}\text{C}$  means the device never loses lock if the device is operated under the *Recommended Operating Conditions*.

##### 7.3.7.1.1 Determining the VCO Gain and Ranges

VCO gain can vary based on core, and this can vary over temperature and process, but [Table 7-5](#) gives a rough guideline of what VCO gain to expect.

**Table 7-5. Approximate VCO Gain and Ranges**

| VCO CORE | Fmin (MHz) | Fmax (MHz) | KvcoMax | KvcoMin |
|----------|------------|------------|---------|---------|
| VCO1     | 5650       | 6350       | 84      | 115     |
| VCO2     | 6350       | 7300       | 94      | 131     |
| VCO3     | 7300       | 8100       | 123     | 156     |
| VCO4     | 8100       | 9000       | 132     | 169     |
| VCO5     | 9000       | 9800       | 131     | 163     |
| VCO6     | 9800       | 10600      | 152     | 185     |
| VCO7     | 10600      | 11300      | 130     | 151     |

### 7.3.8 Channel Divider

The channel divider is actually a single divider with multiple segments and tap points that is shared between RFOUTA and RFOUTB. In general, this can operate as independent divider values with the one exception that if a divide value of 128 is chosen for one output, then this divide must be chosen for the other output (although the channel divider can still be bypassed). Note that when the output frequencies are not the same, the higher frequency output will have sub-harmonic spurs at frequency offset equal to other output.

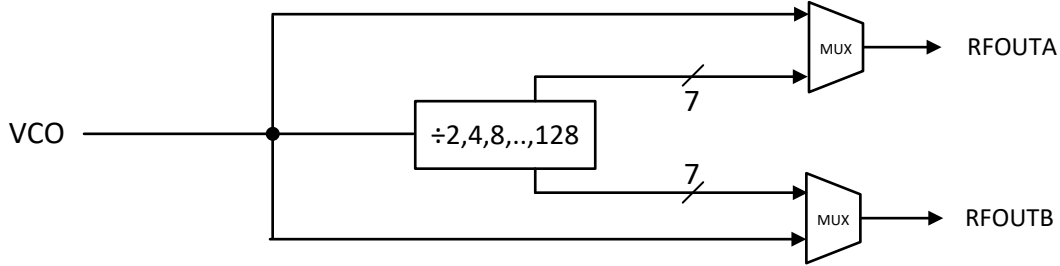


Figure 7-1. Channel Divider

### 7.3.9 Output Frequency Doubler

The frequency doubler is used to produce an output frequency that is twice the VCO frequency and is selected when  $OUT_x\_MUX = 2$ . When the VCO frequency is doubled, the fundamental (non-doubled) VCO frequency does leak to the output and this is the sub-harmonic (0.5X). To minimize these sub-harmonics, there is tunable filter that tracks the output frequency and filters out this sub-harmonic as well as other undesired harmonics (1.5X, 2X, 3X, ...). The calibration for this tunable filter is automatically triggered whenever the VCO calibration is done.

### 7.3.10 Output Buffer

The output buffer is an open-collector architecture, but the 50-Ω pullup resistor is integrated within the device. At lower frequencies, it is fair to assume the output impedance is 50 Ω, but at higher frequencies, parasitic can cause the output impedance to be different. The  $OUT_x\_PWR$  programming fields set the emitter current and adjust the power level.

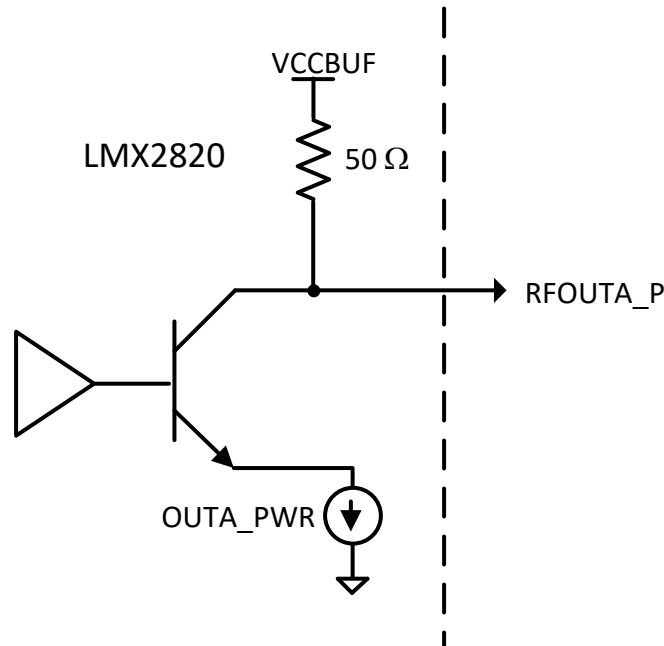


Figure 7-2. Output Buffer Structure

### 7.3.11 Power-Down Modes

The LMX2820 can be powered up and down using the CE pin or the POWERDOWN bit. In power-down mode, the majority of the device is shut down. However, in power-down mode, the device retains its programming information and can still be programmed, provided that the supply pins still have power applied to them. As this also powers down the internal LDOs, be aware that programming register R0 with POWERDOWN will recalibrate the VCO if  $FCAL\_EN = 1$ . In this case, one should re-program register R0 with  $FCAL\_EN = 1$  to ensure

that this happens with the LDOs at their proper bias level. If the instant calibration is used, then this extra programming of register R0 is unnecessary.

### 7.3.12 Phase Synchronization for Multiple Devices

In many situations, a synchronization pulse is needed to ensure that the device has deterministic phase. The requirements for phase synchronization depend on certain setup conditions. In cases that the timing of the synchronization pulse is not critical, it can be done through software by toggling the INPIN\_IGNORE bit. When it is timing critical, then it must be done through the pin and the setup and hold times for the OSCIN pin are critical. The following section gives categories for phase sync based on the input and output frequencies.

#### 7.3.12.1 SYNC Categories

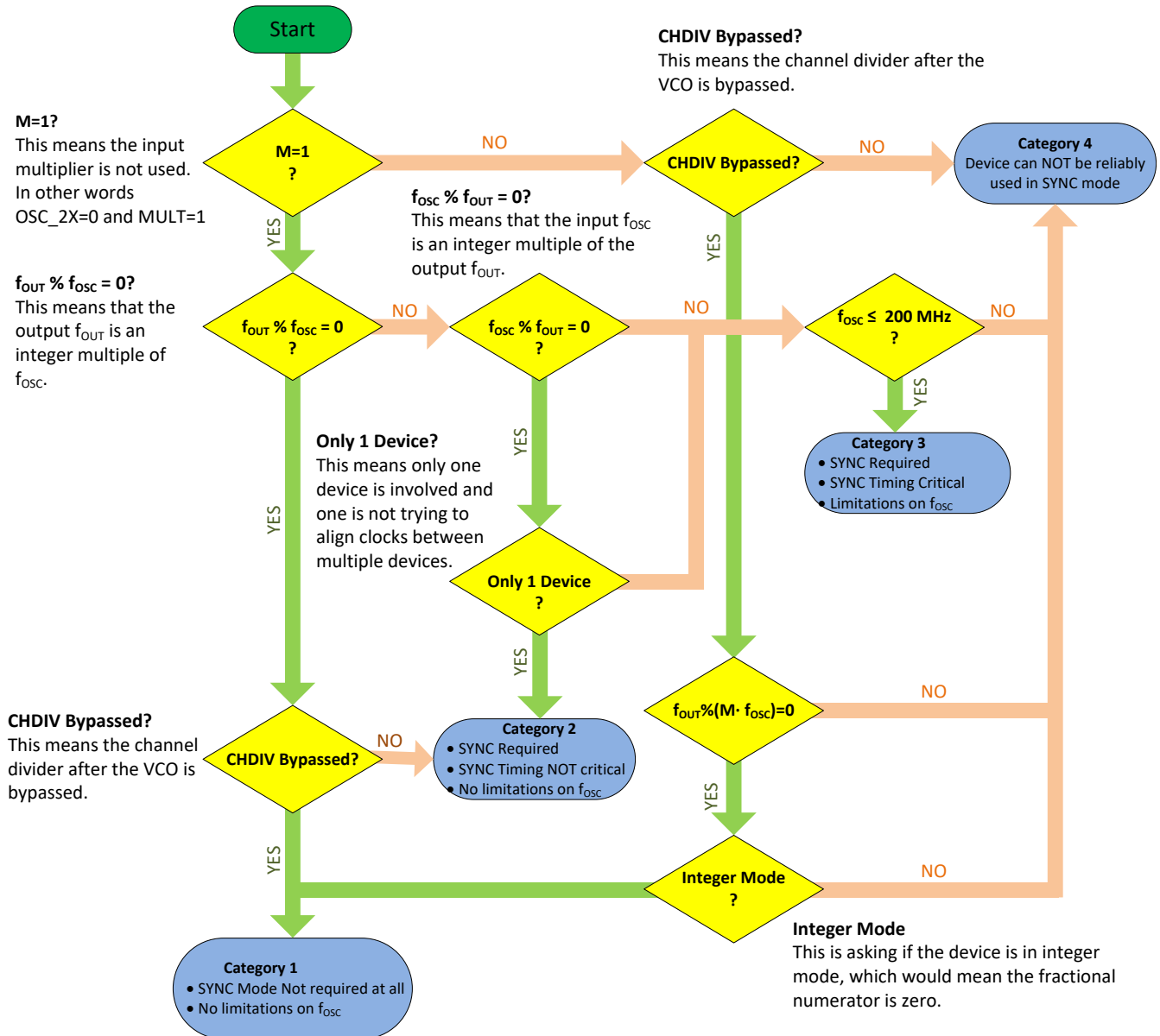


Figure 7-3. Synchronization Flowchart

### 7.3.12.2 Phase Adjust

#### 7.3.12.2.1 Using MASH\_SEED to Create a Phase Shift

The MASH\_SEED word can use the sigma-delta modulator to shift output signal phase with respect to the input reference. If a SYNC pulse is sent (software or pin) or the MASH is reset with MASH\_RST\_N, then this phase shift is from the initial phase of zero. The phase shift can be calculated based on the MASH\_SEED.

$$\text{Phase shift in degrees} = 360 \times (\text{MASH\_SEED} / \text{PLL\_DEN} / \text{CHDIV}) \quad (4)$$

There are a few considerations with MASH\_SEED:

- Phase shift can be done with a PLL\_NUM = 0, but MASH\_ORDER must be greater than zero.
- For MASH\_ORDER = 1, the phase shifting only occurs when MASH\_SEED is a multiple of PLL\_DEN.
- Setting MASH\_SEED > 0 can impact fractional spurs. If used with a PLL\_NUM = 0, it can create fractional spurs. If used with a non-zero numerator, it can either help or hurt spurs and this effect can be simulated with the TI PLLatinum Sim tool.

#### 7.3.12.2.2 Static vs. Dynamic Phase Adjust

The programming of the MASH\_SEED word is cumulative. By that it means that the programmed value is added to the current value. Whenever the MASH\_RST\_N bit or the VCO is re-calibrated, the current value is set to MASH\_SEED. Static phase adjust would involve setting the MASH\_SEED word to the desired value and toggling the MASH\_RST\_N bit to force this value. Dynamic phase adjust involves setting MASH\_SEED to a smaller value and repetitively program the MASH\_SEED word to add to the cumulative value for MASH\_SEED.

#### 7.3.12.2.3 Fine Adjustments to Phase Adjust

Phase SYNC refers to the process of getting the same phase relationship for every power-up cycle and each time assuming that a given programming procedure is followed. However, in cases of higher output frequencies which have shorter periods, there are some adjustments that may be necessary to achieve the most accurate results.. As for the consistency of the phase SYNC, the only source of variation could be if the VCO calibration chooses a different VCO core and capacitor, which can introduce a bimodal distribution with about 10 ps of variation. If this 10 ps is not desirable, then it can be eliminated by either using the instant calibration based VCO calibration or Full assist VCO calibration.

The delay through the device varies from part to part and can be on the order of 60 ps. This part to part variation can be calibrated out with the MASH\_SEED. The variation in delay through the device also changes on the order of +2.5 ps/°C, but devices on the same board likely have similar temperatures, so this will somewhat track. In summary, the device can be made to have consistent delay through the part and there are means to adjust out any remaining errors with the MASH\_SEED. This tends only to be an issue at higher output frequencies when the period is shorter.

### 7.3.13 SYSREF

The LMX2820 can generate a SYSREF output signal that is synchronized to f<sub>OUT</sub> with a programmable delay. This output can be a single pulse, series of pulses, or a continuous stream of pulses. To use the SYSREF capability, the PLL must first be placed in SYNC mode with PHASE\_SYNC\_EN = 1.

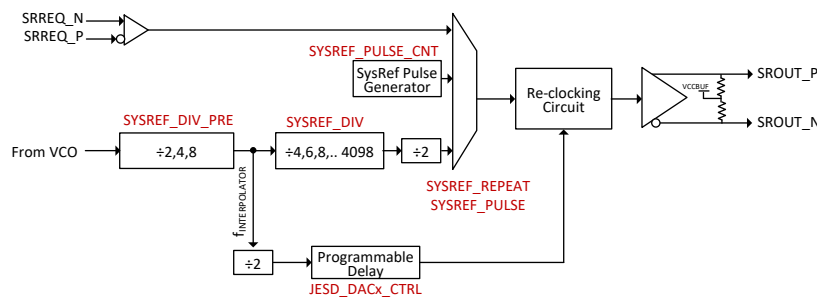


Figure 7-4. SYSREF Functional Diagram

The SYSREF feature uses SYSREF\_DIV\_PRE divider to generate  $f_{\text{INTERPOLATOR}}$ . This frequency is used for reclocking of the rising and falling edges at the SRREQ pin. In master mode, the  $f_{\text{INTERPOLATOR}}$  is further divided by  $2 \times \text{SYSREF\_DIV}$  to generate finite series or continuous stream of pulses.

The delay can be programmed using the JESD\_DAC1\_CTRL, JESD\_DAC2\_CTRL, JESD\_DAC3\_CTRL, and JESD\_DAC4\_CTRL words. By concatenating these words into a larger word called "SysRefPhaseShift", the relative delay can be found. The sum of these words should always be 63. The size of the delay step is:

$$\text{SysRefDelayStepSize} = \text{SYSREF\_DIV\_PRE} / (126 * f_{\text{VCO}})$$

**Table 7-6. SysRefPhaseShift vs. JESD\_DACx\_CTRL**

| SysRefPhaseShift | JESD_DAC1_CTRL | JESD_DAC2_CTRL | JESD_DAC3_CTRL | JESD_DAC4_CTRL |
|------------------|----------------|----------------|----------------|----------------|
| 0                | 63             | 0              | 0              | 0              |
| 1                | 62             | 1              | 0              | 0              |
| ...              | ...            | ...            | 0              | 0              |
| 62               | 1              | 62             | 0              | 0              |
| 63               | 0              | 63             | 0              | 0              |
| 64               | 0              | 62             | 1              | 0              |
| ...              | 0              | ...            | ...            | 0              |
| 125              | 0              | 1              | 62             | 0              |
| 126              | 0              | 0              | 63             | 0              |
| 127              | 0              | 0              | 62             | 1              |
| ...              | 0              | 0              | ...            | ...            |
| 188              | 0              | 0              | 1              | 62             |
| 189              | 0              | 0              | 0              | 63             |
| 190              | 1              | 0              | 0              | 62             |
| ...              | ...            | 0              | 0              | ...            |
| 251              | 62             | 0              | 0              | 1              |

One cannot always assume that the lowest value of SysRefPhaseShift gives the lowest delay. In other words, there could be a wrap around effect where there is an abrupt transition from the longest delay to the shortest delay. The code where this abrupt transition happens is mainly dependent on  $f_{\text{VCO}}$  and SYSREF\_DIV\_PRE.

### 7.3.14 Fast VCO Calibration

The time that it takes the VCO to calibrate can be reduced. [Table 7-7](#) shows the general methods of VCO Calibration.

**Table 7-7. Types of VCO Calibration**

| CALIBRATION TYPE    | DESCRIPTION   |
|---------------------|---|
| No Assist           | User does nothing to improve VCO calibration speed, but the user-specified VCO_SEL, VCO_DACISSET and VCO_CAPCTRL values do affect the starting point of VCO calibration.  |
| Partial Assist      | Upon every frequency change, before the FCAL_EN bit is checked, the user provides the initial starting point for the VCO core (VCO_SEL), band (VCO_CAPCTRL), and amplitude (VCO_DACISSET) based on values specified in the datasheet.   |
| Full Assist         | The user forces the VCO core (VCO_SEL), amplitude settings (VCO_DACISSET), and frequency band (VCO_CAPCTRL) and manually sets the value. If the two frequency points are no more than 5 MHz apart and on the same VCO core, the user can set the VCO amplitude and capcode for any frequency between those two points using linear interpolation. |
| Instant Calibration | The user initializes the device to generate an instant calibration. For as long as power is applied to the device, the instant calibration can be used to make ultra-fast VCO Calibration   |

### 7.3.15 Double Buffering (Shadow Registers)

Double buffering—also known as "shadow registers"—allows the user to program multiple registers without having them actually take effect. Then when the R0 register is programmed, then these registers take effect.

This is especially useful if one wants to change frequencies quickly and multiple register writes are required. When `DBLBUF_EN = 1`, the double buffering is enabled for the following registers: `PLL_N`, `PLL_NUM`, `PLL_DEN`, `MULT`, `PLL_R`, `PLL_R_PRE`, `MASH_ORDER`, and `PFD_DLY`.

### 7.3.16 Output Mute Pin and Ping Pong Approaches

The output buffer can be muted or unmuted using the MUTE pin. The polarity of this pin is programmable with the `PINMUTE_POL` bit. When the output is muted, the PLL stays in lock, so this can be used to combine multiple synthesizers for faster lock time. The PLL with the muted output can be accepting programming commands or even locking to a new frequency. As the output is muted, the unwanted signal is greatly attenuated and can be further attenuated with an RF switch.

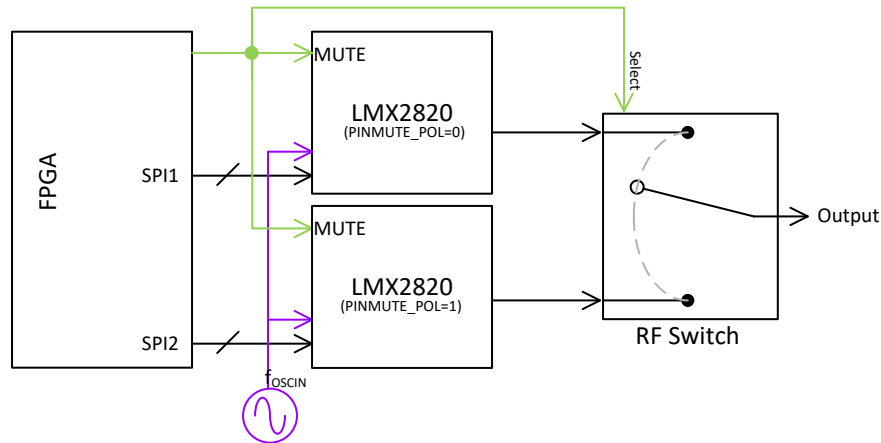


Figure 7-5. Output Mute Pins

## 7.4 Device Functional Modes

There are six basic modes of the LMX2820 that allow the choices of the use of internal vs. external VCO and three different ways that the output of the VCO can be sent to the phase detector.

Table 7-8. Summary of Device Functional Modes

| VCO MODE | FEEDBACK MODE           | COMMENT   |
|----------|-------------------------|---|
| Internal | Internal Feedback       | The internal VCO is used and the VCO is internally fed back to the phase detector.  |
|          | PFDIN External Feedback | The internal VCO is used, but the output is downconverted with an external mixer and fed to the PFDIN pin.  |
|          | RFIN External Feedback  | The internal VCO is used and the output is downconverted with an external mixer and fed to the RFIN pin.  |
| External | Internal Feedback       | For some applications, especially if it is narrowband, an external VCO may be able to provide better phase noise performance than the internal VCO. There could be an advantage in phase noise and harmonics if the output divider or doubler can be avoided by using external VCO. |
|          | PFDIN External Feedback | Theoretically, an external VCO can be used with the external phase detector for the ultimate in phase noise. This does require a high-performance source, mixer, and VCO to fully take advantage of this mode.  |
|          | RFIN External Feedback  | An external VCO is used and the output is downconverted with an external mixer and fed to the RFIN pin.   |

### 7.4.1 External VCO Mode

An external VCO can also be used with the LMX2820, but note that the output buffers cannot be used while the `SYSREF` feature can. The charge pump voltage maximum output voltage is about 2.5 V, but this is not sufficient for most VCOs. For this reason, an active filter is recommended, which can keep the charge pump voltage

biased around 1.2 V and provide the higher output voltage. If the VCO frequency is higher than 11.3 GHz, the EXTVCODIV bit must be enabled, otherwise, it should be zero.

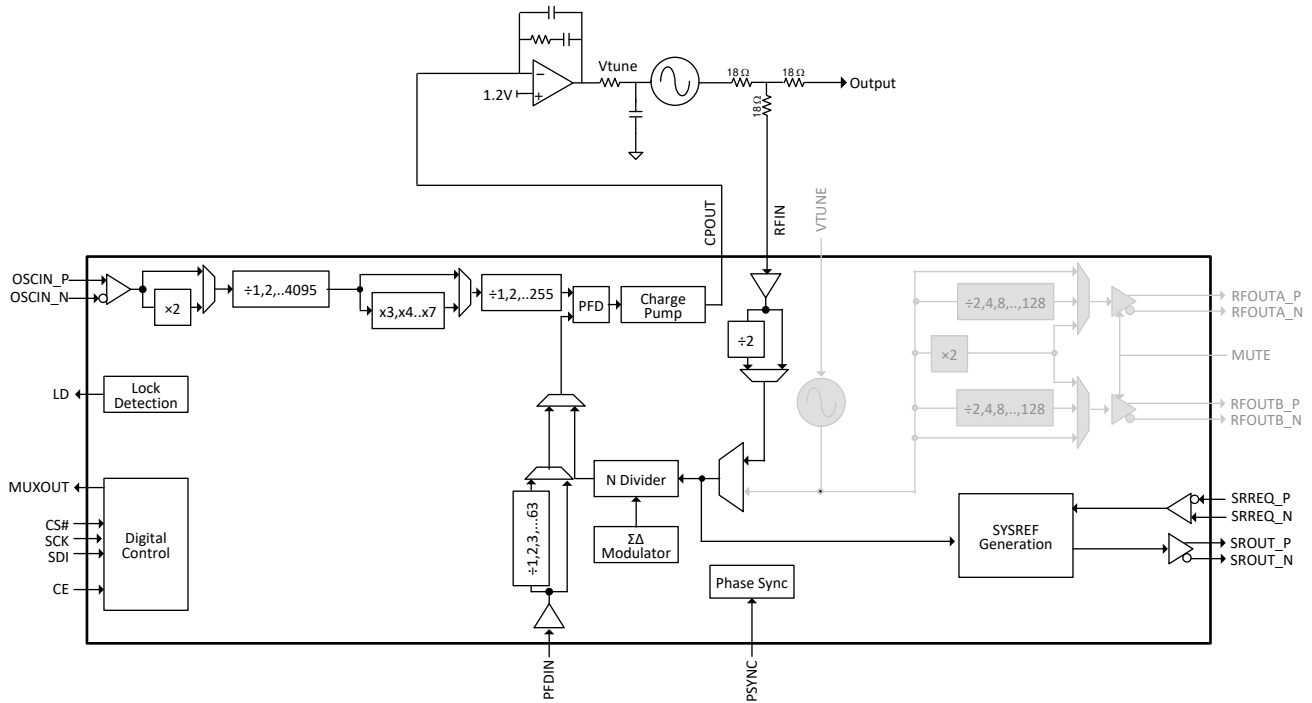


Figure 7-6. External VCO Mode

When using the external VCO, the PFD\_DLY word must be set manually as shown in Table 7-9. For the case of an integrated VCO, it is not necessary to program this word. PFD\_DLY\_MANUAL = 1 is required to manually set the PFD\_DLY.

Table 7-9. PFD\_DLY\_SEL Settings for External VCO Mode

| $f_{RFIN}/(\text{RFIN Divider})$ | MASH_ORDER = 0 | MASH_ORDER = 1 | MASH_ORDER = 2 | MASH_ORDER = 3 |
|----------------------------------|----------------|----------------|----------------|----------------|
| 0.5 - 4 GHz                      | 1              | 1              | 2              | 4              |
| 4 - 5.5 GHz                      | 2              | 2              | 3              | 5              |
| 5.5 - 7 GHz                      | 3              | 3              | 4              | 6              |
| 7 - 8.5 GHz                      | 4              | 4              | 5              | 7              |
| 8.5 - 10 GHz                     | 5              | 5              | 6              | 8              |
| > 10 GHz                         | 6              | 6              | 7              | 9              |

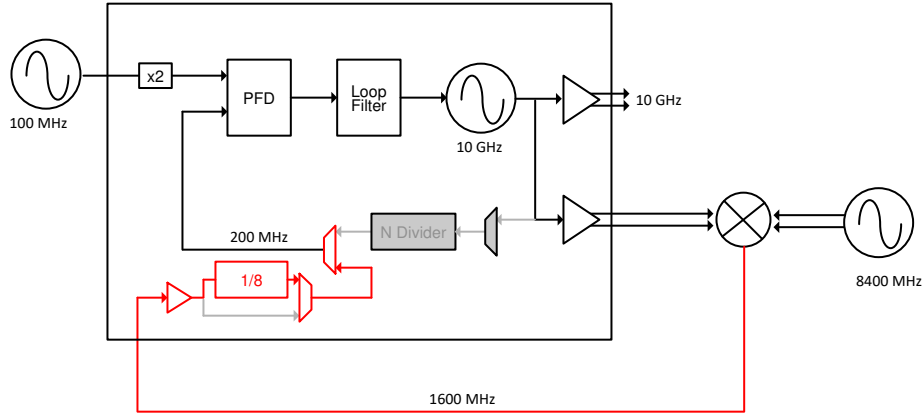
### 7.4.2 External Feedback Input Pins

The LMX2820 gives the user the option to downconvert the VCO frequency using an external mixer and clean source for improved PLL noise. This frequency can be input through the RFIN or PFDIN pins.

#### 7.4.2.1 PFDIN External Feedback Mode

The PFDIN pin allows the VCO frequency to be downconverted externally with a mixer in order to get a much lower N divider value. The EXTPFD\_DIV allows divide values down to one in order to get the lowest possible phase noise. When using the PFDIN pin, single PFD mode needs to be enabled by setting PFD\_SINGLE = 3. This setting degrades the PLL figure of merit about 3 dB, but allows the feedback divider to go all the way down to one. If it is not possible to take advantage of the lowest N divider, consider using the approach using the RFIN pin, which has a higher minimum N divider value, but the PLL figure of merit is not degraded.

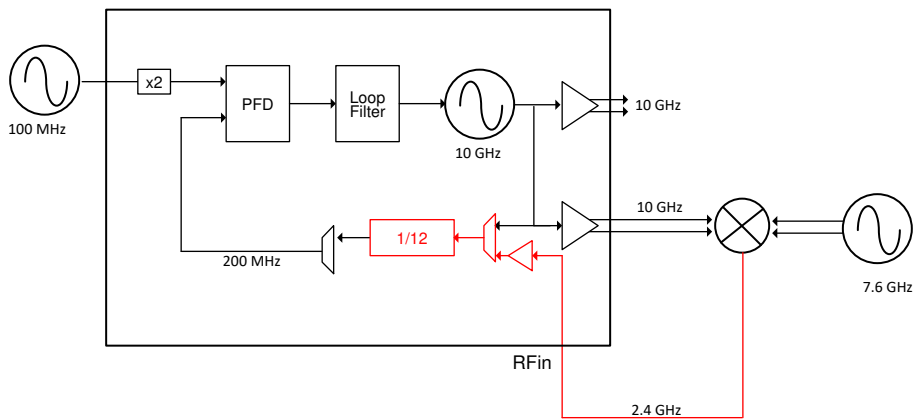




**Figure 7-7. External Feedback Using PFDIN pin and Internal VCO**

**7.4.2.2 RFIN External Feedback Mode**

The RFIN pin can also be used to allow a lower N divider value. This makes sense when the feedback divide value is higher or if the fractional circuitry is required. This does not require the use of the single PFD mode as is the case when the PFDIN pin is used for external feedback.



**Figure 7-8. External Feedback Using the RFIN pin and Internal VCO**

## 8 Application and Implementation

### Note

Information in the following applications sections is not part of the TI component specification, and TI does not warrant its accuracy or completeness. TI's customers are responsible for determining suitability of components for their purposes, as well as validating and testing their design implementation to confirm system functionality.

### 8.1 Application Information

#### 8.1.1 Treatment of Unused Pins

In some applications, not all pins are needed. [Table 8-1](#) discusses how to treat these unused pins.

**Table 8-1. Treatment of Unused Pins**

| SITUATION           | PINS APPLYING TO        | COMMENT  |
|---------------------|-------------------------|--|
| Single-Ended Input  | OSCIN_N                 | AC-couple this pin to GND through a 50-Ω resistor. For optimal spurs, the impedance seen looking out of OSCIN_P and OSCIN_N should be similar                      |
| Single-Ended Output | RFOUTA_N, RFOUTB_N      | Terminate this pin to a load that looks similar to the output that is used. This is typically a 50-Ω resistor AC-coupled to ground. This is to minimize harmonics. |
| Unused Input        | RFIN, PFDIN, SRREQ pins | This pin may be left floating. This feature can be powered down in software.   |
| Unused Output       | RFOUT Pins, SROUT pins  | This pin may be left floating. This feature can be powered down in software.   |
| Unused Digital Pin  | Input pins              | Ground this pin.   |

#### 8.1.2 External Loop Filter

The LMX2820 requires an external loop filter that is application-specific and can be configured by PLLatinum Sim. For the LMX2820, it matters what impedance is seen from the VTUNE pin looking outwards. This impedance is dominated by the component C3 for a third order filter or C1 for a second order filter. If there is at least 1.5 nF for the capacitance that is shunt with this pin, the VCO phase noise will be as close to the best it can be. If the capacitance is less, the VCO phase noise in the 100-kHz to 1-MHz region will degrade. This capacitor should be placed close to the VTUNE pin.

#### 8.1.3 Using Instant Calibration

Instant calibration allows the device to very quickly calibrate the VCO in 2.5 μs and choose the same calibration settings (rb\_VCO\_SEL, rb\_VCO\_DACISSET, rb\_VCO\_CAPCTRL). Once this feature is initialized, then there is no overhead in changing the VCO frequency. This initialization is required when the device is initially powered up, but the settings are retained, provided power is not removed from the supply pins. The following procedure details how this is done:

- Power up device Normally.
- Program INSTCAL\_DLY =  $t_{DLY} \times f_{OSC}$  (in MHz) /  $2^{CAL\_CLK\_DIV}$ .  $t_{DLY}$  is the required timeout count for instant calibration and is based on the bias capacitor at pin 3.

**Table 8-2. Determining Instant Calibration Timeout**

| PIN 3 CAPACITANCE | PLL 1/f NOISE DEGRADATION | MINIMUM $t_{DLY}$                   |
|-------------------|---------------------------|-------------------------------------|
| 0.47 μF           | 1 dB                      | 2.5 μs                              |
| C                 | 0-1 dB                    | $2.5 \mu s \times C / (0.47 \mu F)$ |
| 4.7 μF            | 0 dB                      | 25 μs                               |

- Program register R1 for Instant Calibration.

- Set INSTCAL\_EN = 1. The action of toggling INSTCAL\_EN from 0 to 1 resets the instant calibration settings and sets the part up to generate settings the next time that register R0 is programmed with FCAL\_EN = 1.
  - If the output doubler is used set INSTCAL\_DBLR\_EN = 1, otherwise set it to 0
4. Program the device to output 5.65 GHz.
  5. Program INSTCAL\_PLL\_NUM =  $2^{32} \times (\text{PLL\_NUM} / \text{PLL\_DEN})$ .
  6. Write R0 with FCAL\_EN = 1 to generate the calibration settings.
  7. Write R0 with FCAL\_EN = 0 to have the device lock to 5.65 GHz
  8. Wait for Lock Detect to go high.

Now the device is initialized for the particular phase detector frequency that this was done at. Provided that power is not removed from the device and then phase detector frequency does not change, subsequent frequency changes can be done using the instant cal. To change frequencies after the instant calibration is initialized:

1. Write the values for INSTCAL\_PLL\_NUM, PLL\_N, PLL\_NUM, PLL\_DEN.
2. Write R0 to trigger Calibration (with DBLR\_CAL\_EN = 0, FCAL\_EN = 0).

## 8.2 Typical Application

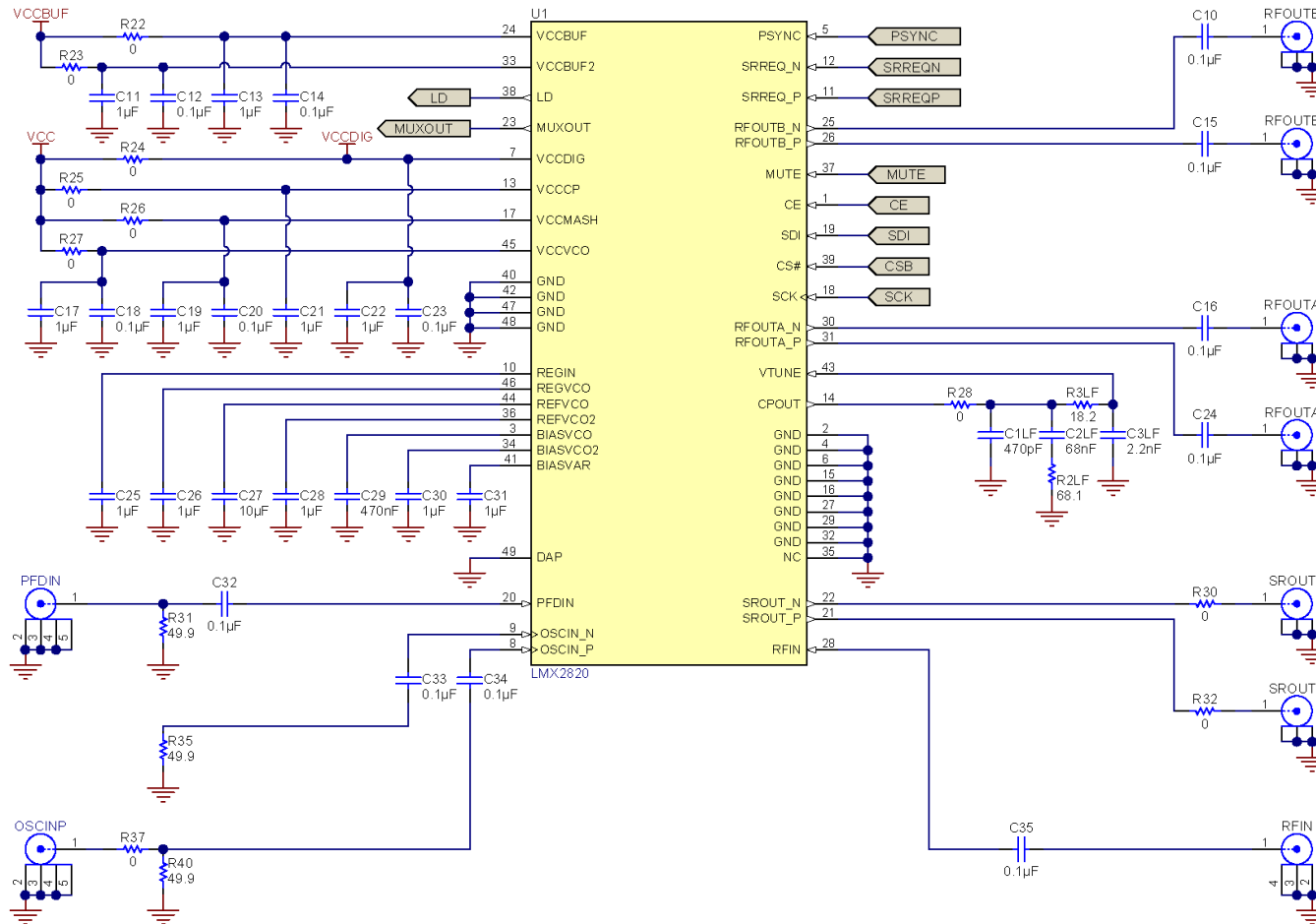


Figure 8-1. Typical Application Schematic

### 8.2.1 Design Requirements

The design of the loop filter is complex and is typically done with software. The PLLATINUM Sim software is an excellent resource for doing this and the design and simulation. In this case, an integer design is assumed and this is being designed for optimal jitter, as would be the case for many clocking applications. For this example, it will be assumed that a 6-GHz output will be generated from a 100-MHz clock. From this, the engineer must choose a VCO frequency and phase detector before proceeding to the loop filter design.

The VCO frequency must be in the range of 5.65 to 11.3 GHz, the output frequency must either divide into this or double the VCO frequency selected (in the case that it is higher than 11.3 GHz). In this case, this implies the VCO frequency is 6 GHz. The next step is to choose the phase detector frequency. The phase detector frequency must either divide the input frequency, or it can be double this if the OSC\_2X feature is used. Also, if the phase detector frequency divides the VCO frequency, the spur performance is much better. So by choosing a 200-MHz phase detector frequency and using the OSC\_2X doubler, the device can be used in integer mode and the best phase noise performance can be achieved.

**Table 8-3. Design Parameters**

| SYMBOL    | DESCRIPTION  | VALUE | UNITS |
|-----------|--|-------|-------|
| $f_{OSC}$ | This is the input frequency that was given.  | 100   | MHz   |
| $f_{OUT}$ | This is the output frequency that was given.   | 6000  | MHz   |
| $f_{VCO}$ | This is the VCO frequency that was chosen to generate the output frequency.          | 6000  | MHz   |
| $f_{PD}$  | This is the phase detector frequency that was chosen for the best noise performance. | 200   | MHz   |

### 8.2.2 Detailed Design Procedure

When the frequencies are known, the loop filter must be designed. The integration of phase noise over a certain bandwidth (jitter) is an performance specification that translates to signal-to-noise ratio. Phase noise inside the loop bandwidth is dominated by the PLL, while the phase noise outside the loop bandwidth is dominated by the VCO.

Generally, jitter is lowest if the loop bandwidth is designed to the point where the two intersect. A higher phase margin loop filter design has less peaking at the loop bandwidth and thus lower jitter. The trade-off with this is that longer lock times and spurs must be considered in design as well.

The PLLatinum Sim software is very useful in designing the loop filter and is available on the TI website. Using this tool, the results in [Table 8-4](#) were obtained.

**Table 8-4. PLLatinum Sim Results**

| COMPONENT | VALUE | UNIT     |
|-----------|-------|----------|
| C1        | 390   | pF       |
| C2        | 68    | nF       |
| C3        | 1.8   | nF       |
| R2        | 68    | $\Omega$ |
| R3        | 18    | $\Omega$ |

### 8.2.3 Application Curves

The actual phase noise result shows the outstanding result of 36 fs of jitter.

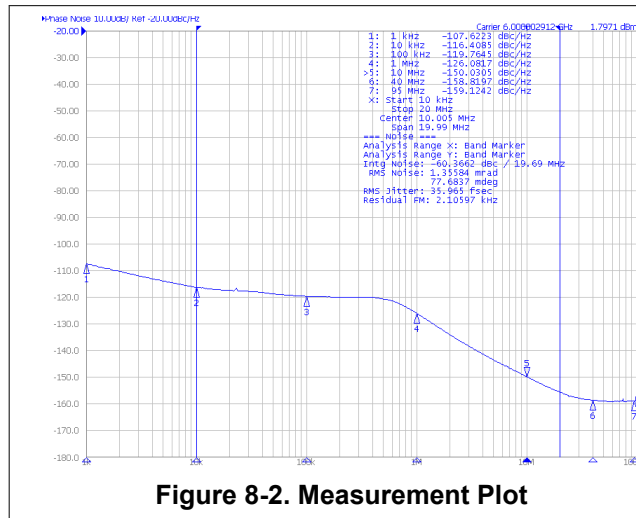


Figure 8-2. Measurement Plot

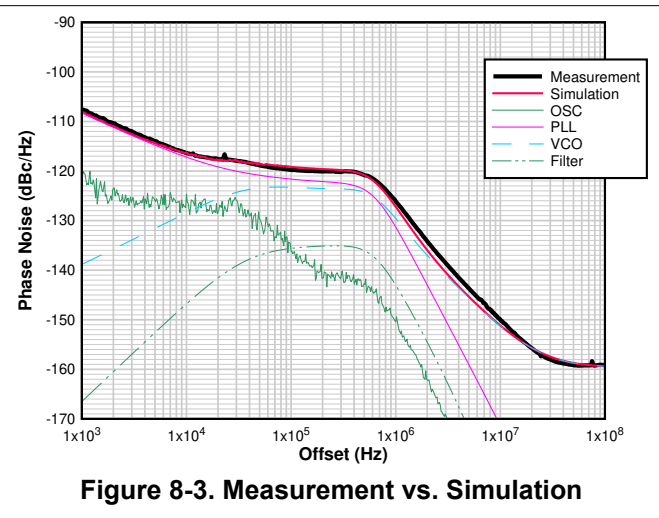


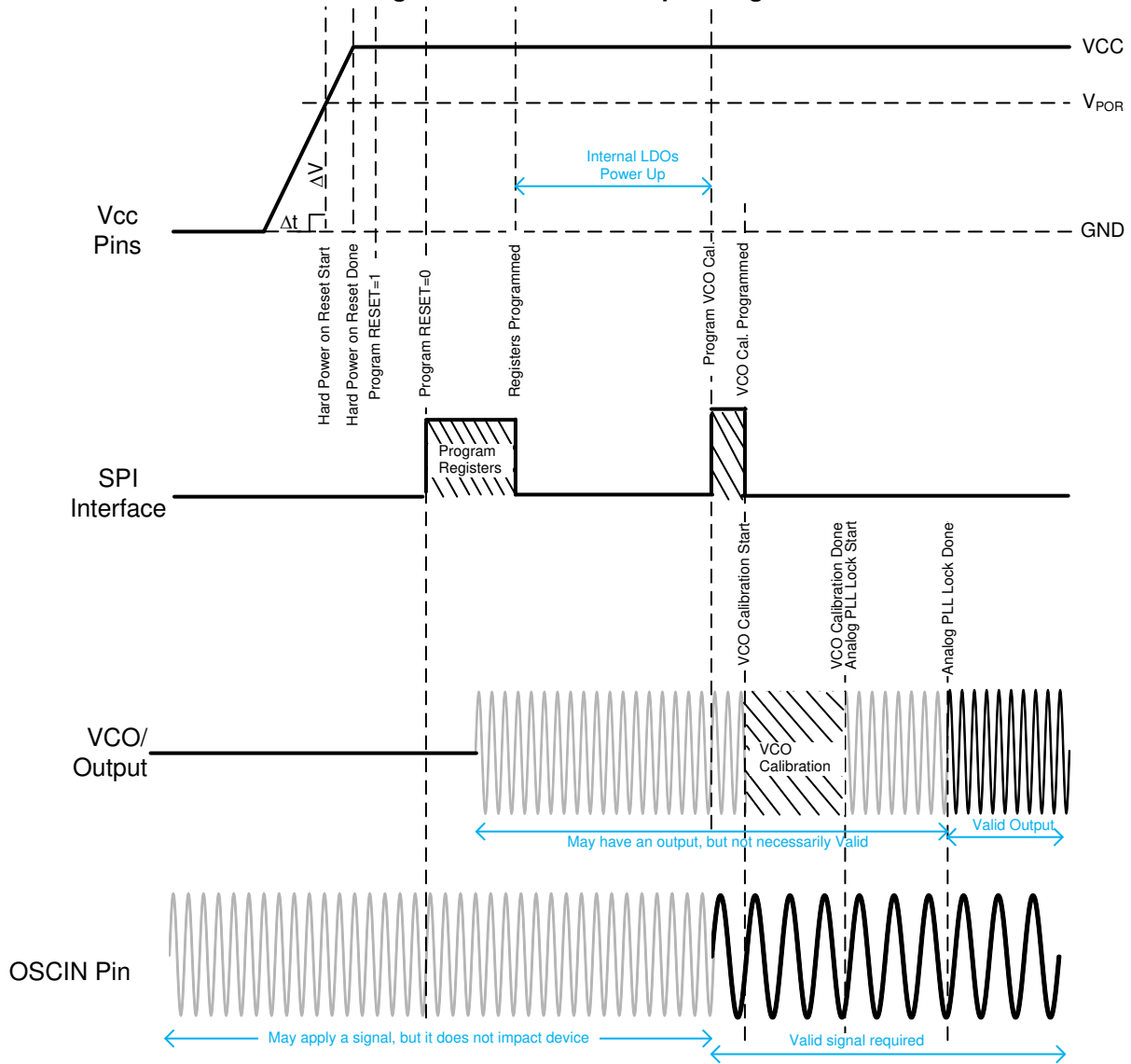
Figure 8-3. Measurement vs. Simulation

### 8.3 Initialization and Power-on Sequencing

To ensure the proper operation of the device, proper power on sequencing needs to be followed.

1. When power is initially applied, the Power-on Reset (POR) circuitry will reset the registers and state machines to a default state.
2. Before any programming is done, the voltages at VCC\_CP, VCC\_VCO, VCC\_VCO2, VCC\_MASH, and VCC\_BUF are at least above the minimum operating voltage of 3.15 V.
3. Although the POR circuitry does initialize the device, it is good practice to toggle the RESET bit from 1 to 0 to manually do a software reset. This is necessary to ensure that the internal state machines, bias levels, and overall device current reset to a stable starting condition. This reset takes less than 1  $\mu$ s.
4. Program the registers in descending order; R0 should be the last register programmed. This loads the device to the desired state.
5. Wait 10 ms to allow the internal LDOs to power up.
6. Program the R0 register one more time to activate the VCO calibration with the LDOs in a stable state. Even if this was done before, the calibration is not valid if it was done before the LDOs in the chip are at the proper levels. Also, it is important to have a stable and accurate input reference as the VCO calibration is based off of this. An input reference may be applied earlier to the device without damaging it. This applies to both the calibration methods with and without instant calibration.
7. After the VCO has calibrated, the frequency will be closer, but not exact. The frequency must settle out with the analog lock time, which adds to the VCO digital calibration.
8. After the analog PLL lock is done, the output is valid. There may be a signal that comes out of the output before this, but the frequency may not be valid.

**Figure 8-4. Power-on Sequencing**



## 9 Power Supply Recommendations

If fractional spurs are a large concern, using a ferrite bead to each of these power supply pins can reduce spurs to a small degree. This device has integrated LDOs, which improves the resistance to power supply noise. This device can be powered by an external DC-DC buck converter, such as the TPS62150. For the purposes of power supply filtering, it is useful to have a general idea of how much current goes through different pins. This may change significantly with configuration, but the following table gives a good idea.

**Table 9-1. Current Consumption per Pin in mA**

| Condition                                  | Total | VCCDIG | VCCCP | VCCMASH | VCCBUF | VCCVCO |
|--|-------|--------|-------|---------|--------|--------|
| One direct RF Output                       | 420   | 23     | 5     | 5       | 124    | 263    |
| One divided RF Output                      | 580   | 21     | 13    | 96      | 212    | 238    |
| One RF output with VCO doubler enabled     | 590   | 20     | 12    | 89      | 238    | 231    |
| RFIN External Feedback Mode, Internal VCO  | 530   | 18     | 12    | 90      | 170    | 240    |
| PFDIN External Feedback Mode, Internal VCO | 455   | 18     | 10    | 79      | 110    | 238    |
| External VCO Mode                          | 290   | 19     | 9     | 92      | 54     | 116    |
| Power-on reset current                     | 234   | 10     | 6     | 48      | 24     | 146    |
| Power-down current                         | 10    | 2      | 0     | 1       | 6      | 1      |

## 10 Layout

### 10.1 Layout Guidelines

In general, the layout guidelines are similar to most other PLL devices. Here are some specific guidelines.

- GND pins may be routed on the package back to the DAP.
- The OSCIN pins, these are internally biased and must be AC coupled.
- If not used, the SRREQ pins may be grounded to the DAP.
- For optimal VCO phase noise in the 200 kHz to 1 MHz range, it is ideal that the capacitor closest to the VTUNE pin be at least 1.5 nF. As requiring this larger capacitor may restrict the loop bandwidth, this value can be reduced (to say 1 nF) at the expense of VCO phase noise.
- If a single-ended output is needed, the other side must have the same loading. However, the routing for the used side can be optimized by routing the complementary side through a via to the other side of the board. On this side, make the load look equivalent to the side that is used.
- Ensure DAP on device is well-grounded with many vias, preferably copper filled.
- Have a thermal pad that is as large as the LMX2820 exposed pad. Add vias to the thermal pad to maximize thermal performance.
- Use a low loss dielectric material, such as Rogers 4350B, for optimal output power.



## 10.2 Layout Example

For this layout, all of the loop filter (C1LF, C2LF, C3LF, R2LF and R3LF) are on the top side of the board. C3LF is located right next to the VTUNE pin. In the event that this C3LF capacitor would be open, TI recommends to move one of loop capacitors in this spot. For instance, if a second order loop filter was used, technically C3LF would be open. However, for this layout example that is designed for a third order loop filter, it would be optimal to make C1LF = open, and C3LF to be whatever C1LF would have been.

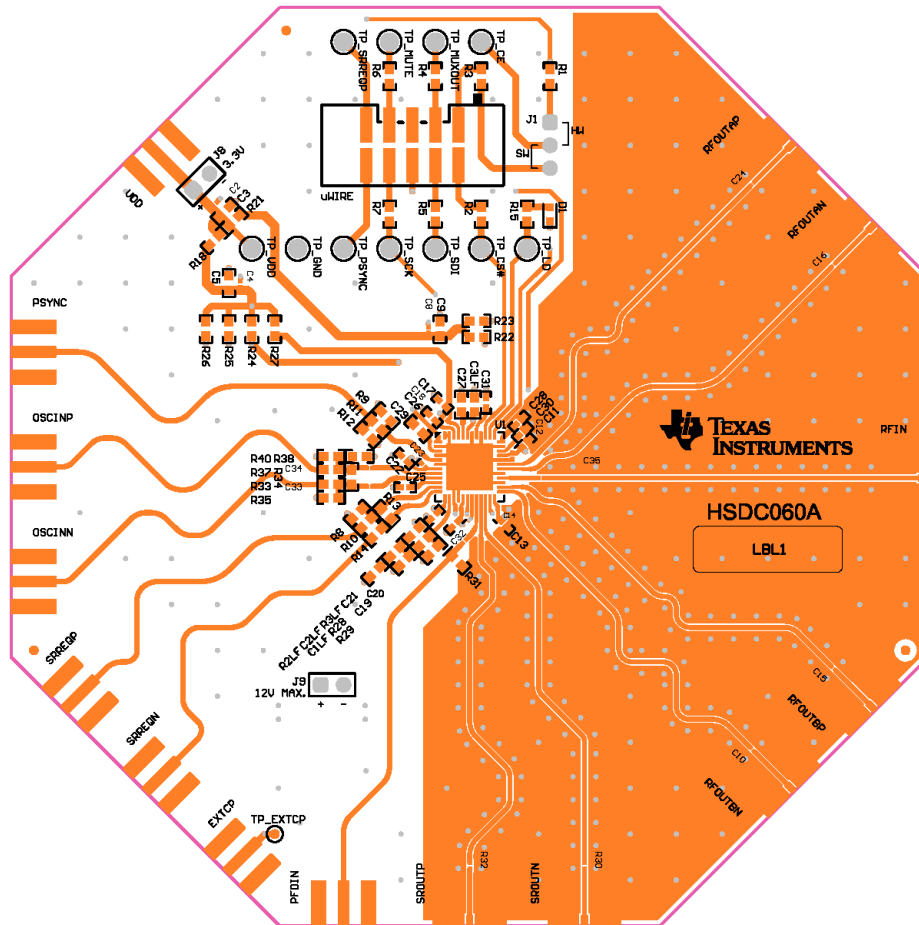


Figure 10-1. Layout Example

## 11 Device and Documentation Support

### 11.1 Receiving Notification of Documentation Updates

To receive notification of documentation updates, navigate to the device product folder on [ti.com](http://ti.com). Click on *Subscribe to updates* to register and receive a weekly digest of any product information that has changed. For change details, review the revision history included in any revised document.

### 11.2 Support Resources

[TI E2E™ support forums](#) are an engineer's go-to source for fast, verified answers and design help — straight from the experts. Search existing answers or ask your own question to get the quick design help you need.

Linked content is provided "AS IS" by the respective contributors. They do not constitute TI specifications and do not necessarily reflect TI's views; see TI's [Terms of Use](#).

### 11.3 Trademarks

PLLatinum™ are trademarks of Texas Instruments.

TI E2E™ is a trademark of Texas Instruments.

All trademarks are the property of their respective owners.

### 11.4 Electrostatic Discharge Caution



This integrated circuit can be damaged by ESD. Texas Instruments recommends that all integrated circuits be handled with appropriate precautions. Failure to observe proper handling and installation procedures can cause damage.

ESD damage can range from subtle performance degradation to complete device failure. Precision integrated circuits may be more susceptible to damage because very small parametric changes could cause the device not to meet its published specifications.

### 11.5 Glossary

[TI Glossary](#) This glossary lists and explains terms, acronyms, and definitions.

## 12 Mechanical, Packaging, and Orderable Information

The following pages include mechanical, packaging, and orderable information. This information is the most current data available for the designated devices. This data is subject to change without notice and revision of this document. For browser-based versions of this data sheet, refer to the left-hand navigation.

**PACKAGING INFORMATION**

| Orderable Device | Status<br>(1) | Package Type | Package Drawing | Pins | Package Qty | Eco Plan<br>(2) | Lead finish/<br>Ball material<br>(6) | MSL Peak Temp<br>(3) | Op Temp (°C) | Device Marking<br>(4/5) | Samples                 |
|------------------|---------------|--------------|-----------------|------|-------------|-----------------|--------------------------------------|----------------------|--------------|-------------------------|-------------------------|
| LMX2820RTCR      | ACTIVE        | VQFN         | RTC             | 48   | 2500        | RoHS & Green    | NIPDAUAG                             | Level-3-260C-168 HR  | -40 to 85    | LMX2820                 | <a href="#">Samples</a> |
| LMX2820RTCT      | ACTIVE        | VQFN         | RTC             | 48   | 250         | RoHS & Green    | NIPDAUAG                             | Level-3-260C-168 HR  | -40 to 85    | LMX2820                 | <a href="#">Samples</a> |

(1) The marketing status values are defined as follows:

**ACTIVE:** Product device recommended for new designs.

**LIFEBUY:** TI has announced that the device will be discontinued, and a lifetime-buy period is in effect.

**NRND:** Not recommended for new designs. Device is in production to support existing customers, but TI does not recommend using this part in a new design.

**PREVIEW:** Device has been announced but is not in production. Samples may or may not be available.

**OBSELETE:** TI has discontinued the production of the device.

(2) **RoHS:** TI defines "RoHS" to mean semiconductor products that are compliant with the current EU RoHS requirements for all 10 RoHS substances, including the requirement that RoHS substance do not exceed 0.1% by weight in homogeneous materials. Where designed to be soldered at high temperatures, "RoHS" products are suitable for use in specified lead-free processes. TI may reference these types of products as "Pb-Free".

**RoHS Exempt:** TI defines "RoHS Exempt" to mean products that contain lead but are compliant with EU RoHS pursuant to a specific EU RoHS exemption.

**Green:** TI defines "Green" to mean the content of Chlorine (Cl) and Bromine (Br) based flame retardants meet JS709B low halogen requirements of <=1000ppm threshold. Antimony trioxide based flame retardants must also meet the <=1000ppm threshold requirement.

(3) MSL, Peak Temp. - The Moisture Sensitivity Level rating according to the JEDEC industry standard classifications, and peak solder temperature.

(4) There may be additional marking, which relates to the logo, the lot trace code information, or the environmental category on the device.

(5) Multiple Device Markings will be inside parentheses. Only one Device Marking contained in parentheses and separated by a "~" will appear on a device. If a line is indented then it is a continuation of the previous line and the two combined represent the entire Device Marking for that device.

(6) Lead finish/Ball material - Orderable Devices may have multiple material finish options. Finish options are separated by a vertical ruled line. Lead finish/Ball material values may wrap to two lines if the finish value exceeds the maximum column width.

**Important Information and Disclaimer:**The information provided on this page represents TI's knowledge and belief as of the date that it is provided. TI bases its knowledge and belief on information provided by third parties, and makes no representation or warranty as to the accuracy of such information. Efforts are underway to better integrate information from third parties. TI has taken and continues to take reasonable steps to provide representative and accurate information but may not have conducted destructive testing or chemical analysis on incoming materials and chemicals. TI and TI suppliers consider certain information to be proprietary, and thus CAS numbers and other limited information may not be available for release.

In no event shall TI's liability arising out of such information exceed the total purchase price of the TI part(s) at issue in this document sold by TI to Customer on an annual basis.



## TAPE AND REEL INFORMATION



### QUADRANT ASSIGNMENTS FOR PIN 1 ORIENTATION IN TAPE



\*All dimensions are nominal

| Device      | Package Type | Package Drawing | Pins | SPQ  | Reel Diameter (mm) | Reel Width W1 (mm) | A0 (mm) | B0 (mm) | K0 (mm) | P1 (mm) | W (mm) | Pin1 Quadrant |
|-------------|--------------|-----------------|------|------|--------------------|--------------------|---------|---------|---------|---------|--------|---------------|
| LMX2820RTCR | VQFN         | RTC             | 48   | 2500 | 330.0              | 16.4               | 7.3     | 7.3     | 1.1     | 12.0    | 16.0   | Q2            |
| LMX2820RTCT | VQFN         | RTC             | 48   | 250  | 180.0              | 16.4               | 7.3     | 7.3     | 1.1     | 12.0    | 16.0   | Q2            |

**TAPE AND REEL BOX DIMENSIONS**


\*All dimensions are nominal

| Device      | Package Type | Package Drawing | Pins | SPQ  | Length (mm) | Width (mm) | Height (mm) |
|-------------|--------------|-----------------|------|------|-------------|------------|-------------|
| LMX2820RTCR | VQFN         | RTC             | 48   | 2500 | 367.0       | 367.0      | 38.0        |
| LMX2820RTCT | VQFN         | RTC             | 48   | 250  | 210.0       | 185.0      | 35.0        |

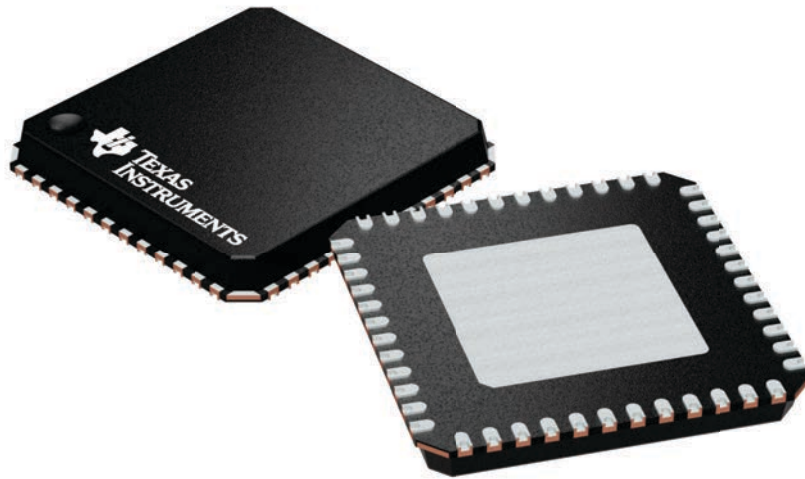
## GENERIC PACKAGE VIEW

**RTC 48**

**VQFNP - 0.9 mm max height**

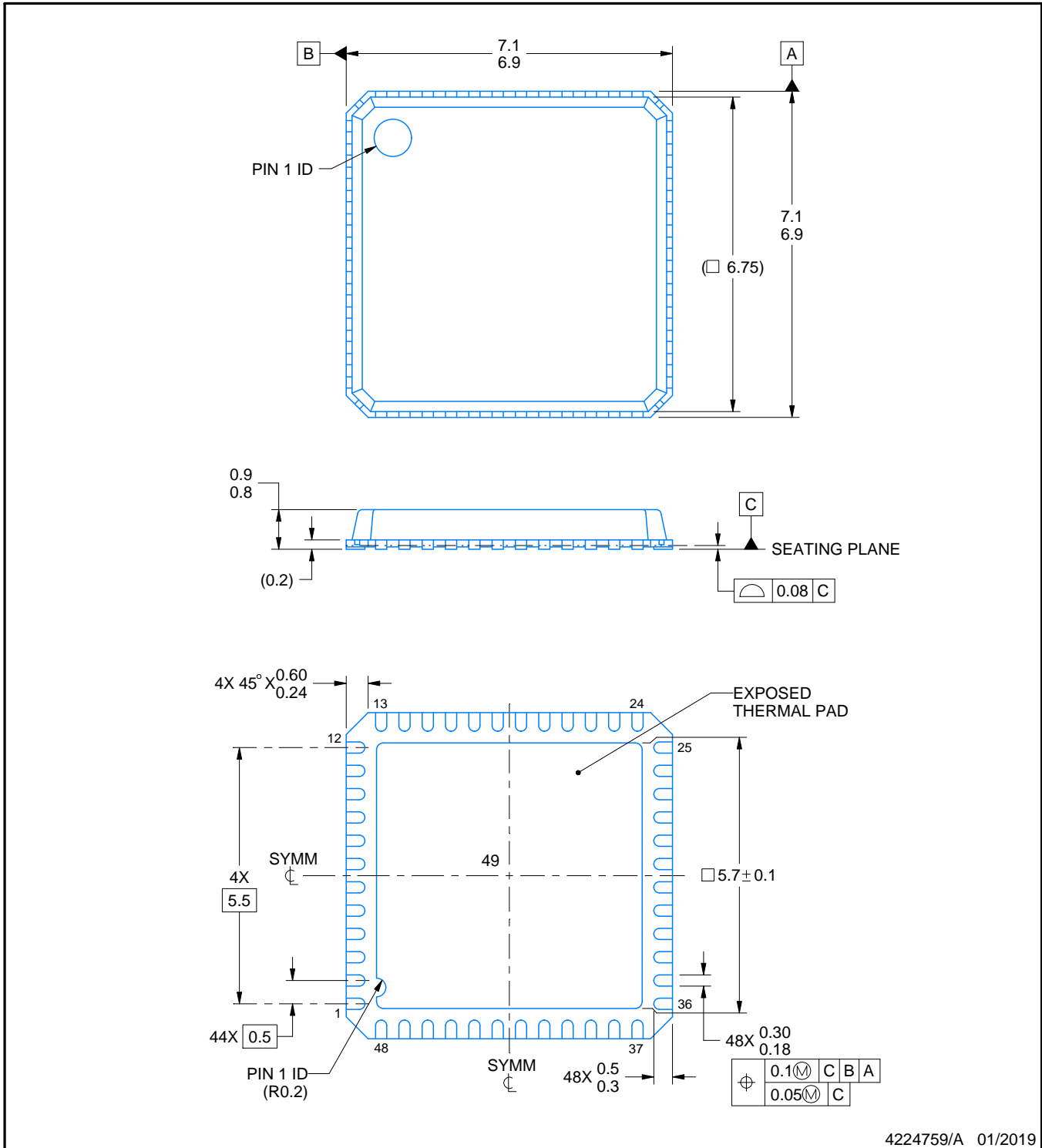
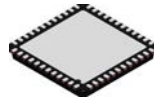
7 x 7, 0.5 mm pitch

PLASTIC QUAD FLATPACK - NO LEAD



Images above are just a representation of the package family, actual package may vary.  
Refer to the product data sheet for package details.

4224601/A



NOTES:

1. All linear dimensions are in millimeters. Any dimensions in parenthesis are for reference only. Dimensioning and tolerancing per ASME Y14.5M.
2. This drawing is subject to change without notice.
3. The package thermal pad must be soldered to the printed circuit board for thermal and mechanical performance.

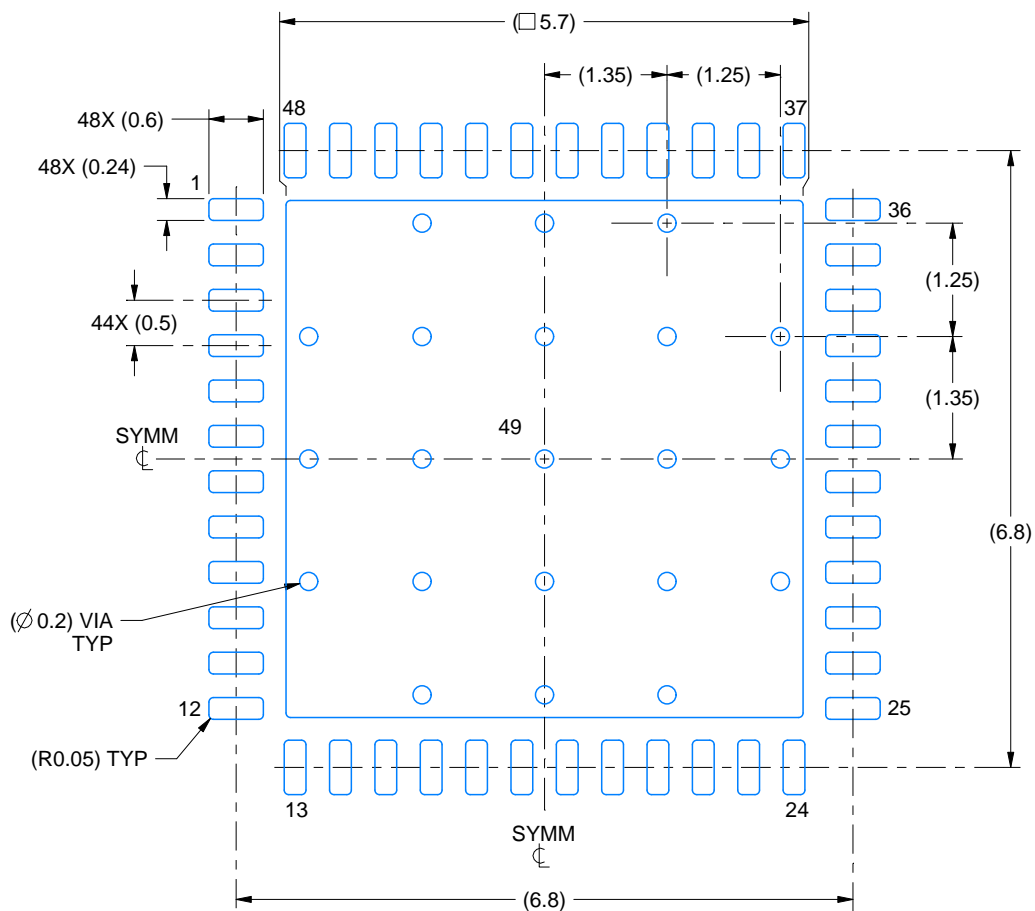


# EXAMPLE BOARD LAYOUT

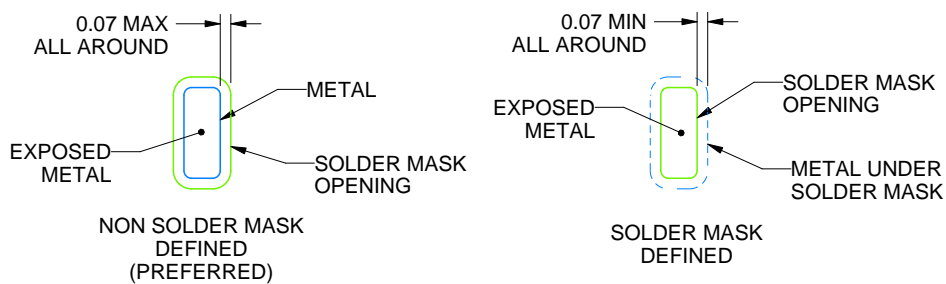
RTC0048G

VQFNP - 0.9 mm max height

PLASTIC QUAD FLATPACK - NO LEAD



LAND PATTERN EXAMPLE  
EXPOSED METAL SHOWN  
SCALE:12X



SOLDER MASK DETAILS

4224759/A 01/2019

NOTES: (continued)

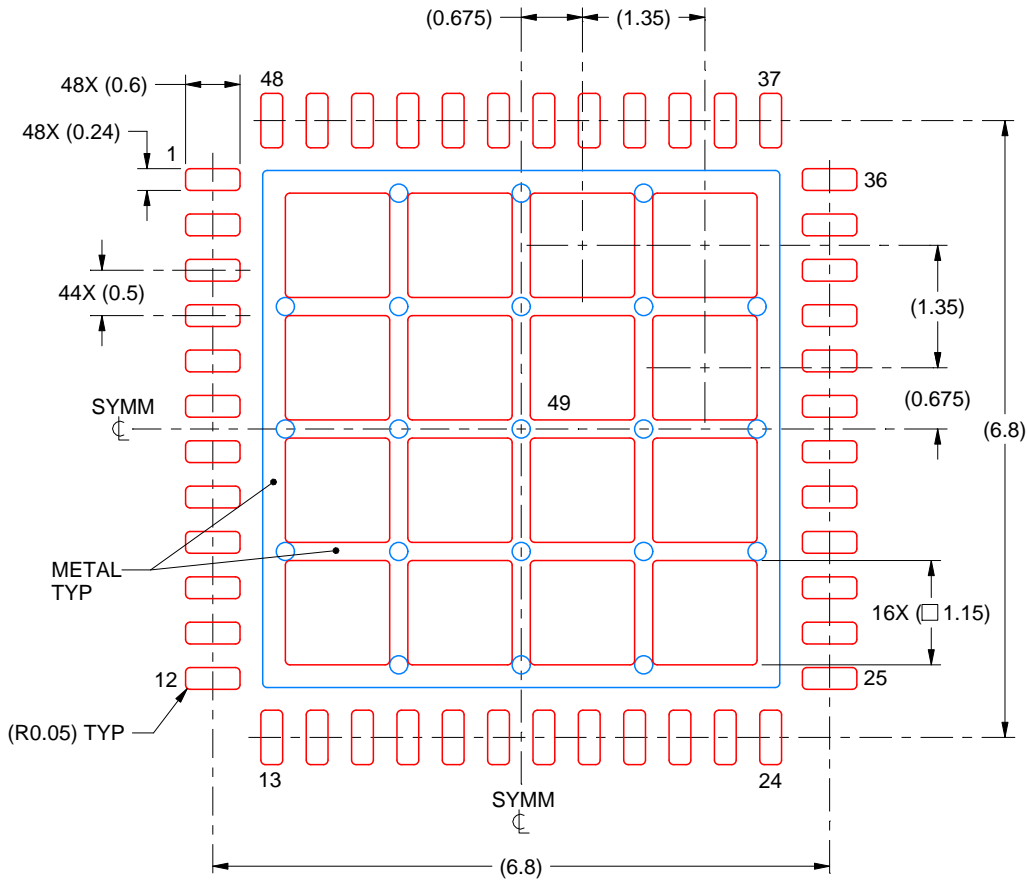
- This package is designed to be soldered to a thermal pad on the board. For more information, see Texas Instruments literature number SLUA271 ([www.ti.com/lit/slua271](http://www.ti.com/lit/slua271)).
- Vias are optional depending on application, refer to device data sheet. If any vias are implemented, refer to their locations shown on this view. It is recommended that vias under paste be filled, plugged or tented.

# EXAMPLE STENCIL DESIGN

RTC0048G

VQFNP - 0.9 mm max height

PLASTIC QUAD FLATPACK - NO LEAD



SOLDER PASTE EXAMPLE  
BASED ON 0.125 mm THICK STENCIL

EXPOSED PAD 49:  
65% PRINTED SOLDER COVERAGE BY AREA UNDER PACKAGE  
SCALE:12X

4224759/A 01/2019

NOTES: (continued)

6. Laser cutting apertures with trapezoidal walls and rounded corners may offer better paste release. IPC-7525 may have alternate design recommendations.

## IMPORTANT NOTICE AND DISCLAIMER

TI PROVIDES TECHNICAL AND RELIABILITY DATA (INCLUDING DATASHEETS), DESIGN RESOURCES (INCLUDING REFERENCE DESIGNS), APPLICATION OR OTHER DESIGN ADVICE, WEB TOOLS, SAFETY INFORMATION, AND OTHER RESOURCES "AS IS" AND WITH ALL FAULTS, AND DISCLAIMS ALL WARRANTIES, EXPRESS AND IMPLIED, INCLUDING WITHOUT LIMITATION ANY IMPLIED WARRANTIES OF MERCHANTABILITY, FITNESS FOR A PARTICULAR PURPOSE OR NON-INFRINGEMENT OF THIRD PARTY INTELLECTUAL PROPERTY RIGHTS.

These resources are intended for skilled developers designing with TI products. You are solely responsible for (1) selecting the appropriate TI products for your application, (2) designing, validating and testing your application, and (3) ensuring your application meets applicable standards, and any other safety, security, or other requirements. These resources are subject to change without notice. TI grants you permission to use these resources only for development of an application that uses the TI products described in the resource. Other reproduction and display of these resources is prohibited. No license is granted to any other TI intellectual property right or to any third party intellectual property right. TI disclaims responsibility for, and you will fully indemnify TI and its representatives against, any claims, damages, costs, losses, and liabilities arising out of your use of these resources.

TI's products are provided subject to TI's Terms of Sale (<https://www.ti.com/legal/termsofsale.html>) or other applicable terms available either on [ti.com](https://www.ti.com) or provided in conjunction with such TI products. TI's provision of these resources does not expand or otherwise alter TI's applicable warranties or warranty disclaimers for TI products.

Mailing Address: Texas Instruments, Post Office Box 655303, Dallas, Texas 75265  
Copyright © 2021, Texas Instruments Incorporated