

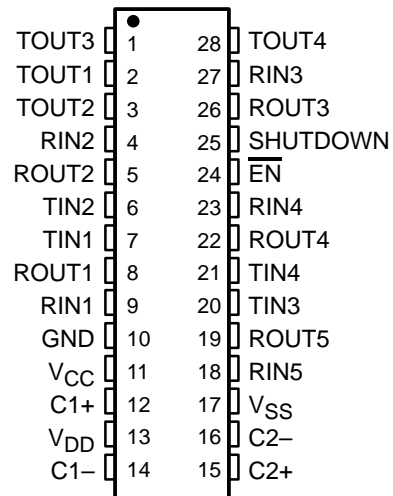
# SN75LBC241

## LOW-POWER LinBiCMOS™ MULTIPLE DRIVERS AND RECEIVERS

SLLS137F – MAY 1992 – REVISED FEBRUARY 2001

- Operates With Single 5-V Power Supply
- Meets or Exceeds the Requirements of TIA/EIA-232-F and ITU Recommendation V.28
- Improved Performance Replacement for MAX241
- Operates at Data Rates up to 100 kbit/s Over a 3-m Cable
- Low-Power Shutdown Mode . . .  $\leq 1 \mu\text{A Typ}$
- LinBiCMOS™ Process Technology
- Four Drivers and Five Receivers
- $\pm 30\text{-V}$  Input Levels
- 3-State TTL/CMOS Receiver Outputs
- $\pm 9\text{-V}$  Output Swing With a 5-V Supply
- Applications
  - TIA/EIA-232-F Interface
  - Battery-Powered Systems
  - Terminals
  - Modems
  - Computers
- Packaged in Plastic Small-Outline Package

**DW PACKAGE  
(TOP VIEW)**



### description

The SN75LBC241 is a low-power LinBiCMOS™ line-interface device containing four independent drivers and five receivers. It is designed as a plug-in replacement for the Maxim MAX241. The SN75LBC241 provides a capacitive-charge-pump voltage generator to produce RS-232 voltage levels from a 5-V supply. The charge-pump oscillator frequency is 20 kHz. Each receiver converts RS-232 inputs to 5-V TTL/CMOS levels. The receivers have a typical threshold of 1.2 V and a typical hysteresis of 0.5 V and can accept  $\pm 30\text{-V}$  inputs. Each driver converts TTL/CMOS input levels into RS-232 levels.

The SN75LBC241 includes a receiver, a 3-state control line, and a low-power shutdown control line. When the  $\overline{\text{EN}}$  line is high, receiver outputs are placed in the high-impedance state. When  $\overline{\text{EN}}$  is low, normal operation is enabled.

The shutdown mode reduces power dissipation to less than  $5 \mu\text{W}$ , typically. In this mode, receiver outputs have high impedance, driver outputs are turned off, and the charge-pump circuit is turned off. When SHUTDOWN is high, the shutdown mode is enabled. When SHUTDOWN is low, normal operation is enabled.

This device has been designed to conform to TIA/EIA-232-F and ITU Recommendation V.28.

The SN75LBC241 has been designed using LinBiCMOS technology and cells contained in the Texas Instruments LinASIC™ library. Use of LinBiCMOS circuitry increases latch-up immunity in this device over an all-CMOS design.

The SN75LBC241 is characterized for operation from  $0^\circ\text{C}$  to  $70^\circ\text{C}$ .



Please be aware that an important notice concerning availability, standard warranty, and use in critical applications of Texas Instruments semiconductor products and disclaimers thereto appears at the end of this data sheet.

LinBiCMOS and LinASIC are trademarks of Texas Instruments.

PRODUCTION DATA information is current as of publication date. Products conform to specifications per the terms of Texas Instruments standard warranty. Production processing does not necessarily include testing of all parameters.



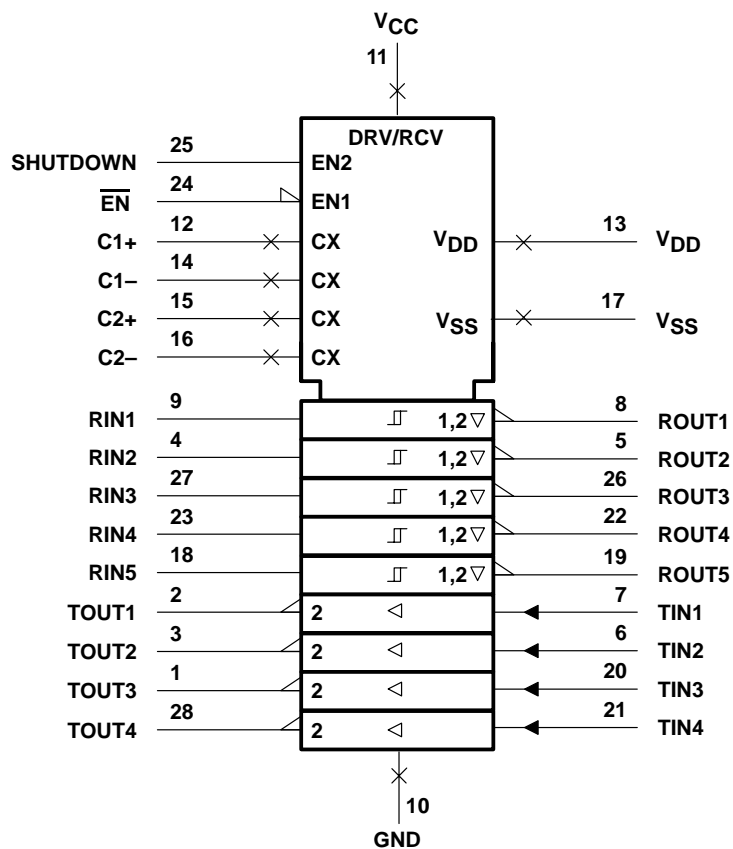
POST OFFICE BOX 655303 • DALLAS, TEXAS 75265

Copyright © 2001, Texas Instruments Incorporated

# SN75LBC241 LOW-POWER LinBiCMOS™ MULTIPLE DRIVERS AND RECEIVERS

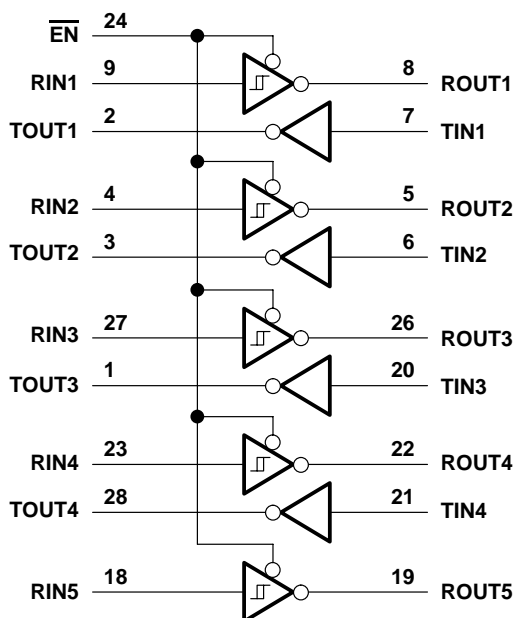
SLLS137F – MAY 1992 – REVISED FEBRUARY 2001

## logic symbol†



† This symbol is in accordance with ANSI/IEEE Std 91-1984 and IEC Publication 617-12.

## logic diagram (positive logic)



# SN75LBC241

## LOW-POWER LinBiCMOS™ MULTIPLE DRIVERS AND RECEIVERS

SLLS137F – MAY 1992 – REVISED FEBRUARY 2001

### absolute maximum ratings over operating free-air temperature range (unless otherwise noted)†

Input supply voltage range, $V_{CC}$ (see Note 1)	–0.3 V to 6 V
Positive output supply voltage range, $V_{DD}$	$V_{CC}$ –0.3 V to 15 V
Negative output supply voltage range, $V_{SS}$	0.3 V to –15 V
Input voltage range, $V_I$ : Driver	–0.3 V to $V_{CC} + 0.3$ V
Receiver	±30 V
Output voltage range, $V_O$ : TOUT	$V_{SS}$ –0.3 V to $V_{DD} + 0.3$ V
ROUT	–0.3 V to $V_{CC} + 0.3$ V
Short-circuit duration: TOUT	Unlimited
Continuous total dissipation	See Dissipation Rating Table
Package thermal impedance, $\theta_{JA}$ (see Note 2)	46°C/W
Lead temperature 1,6 mm (1/16 inch) from case for 10 seconds	260°C
Storage temperature range, $T_{stg}$	–65°C to 150°C

† Stresses beyond those listed under “absolute maximum ratings” may cause permanent damage to the device. These are stress ratings only, and functional operation of the device at these or any other conditions beyond those indicated under “recommended operating conditions” is not implied. Exposure to absolute-maximum-rated conditions for extended periods may affect device reliability.

- NOTES: 1. All voltage values are with respect to the network ground terminal.  
 2. The package thermal impedance is calculated in accordance with JESD 51-7.

**DISSIPATION RATING TABLE**

PACKAGE	$T_A \leq 25^\circ\text{C}$ POWER RATING	OPERATING FACTOR ABOVE $T_A = 25^\circ\text{C}$	$T_A = 70^\circ\text{C}$ POWER RATING
DW	1603 mW	12.8 mW/°C	1026 mW

### recommended operating conditions

			MIN	NOM	MAX	UNIT
$V_{CC}$	Supply voltage	Supply voltage, $V_{CC}$	4.5	5	5.5	V
$V_{IH}$	High-level input voltage	TIN	2			V
		$\overline{EN}$ , SHUTDOWN	2.4			
$V_{IL}$	Low-level input voltage	TIN, $\overline{EN}$ , SHUTDOWN	0.8			V
	External charge-pump capacitor	C1–C4 (see Figure 5)	1			μF
	External charge-pump capacitor voltage rating	C1, C3 (see Figure 5)	6.3			V
		C2, C4 (see Figure 5)	16			
$V_I$	Receiver input voltage		±30			V
$T_A$	Operating free-air temperature		0	70		°C



# SN75LBC241

## LOW-POWER LinBiCMOS™ MULTIPLE DRIVERS AND RECEIVERS

SLLS137F – MAY 1992 – REVISED FEBRUARY 2001

electrical characteristics over recommended ranges of supply voltage and operating free-air temperature range (unless otherwise noted)

PARAMETER		TEST CONDITIONS	MIN	TYP†	MAX	UNIT
V <sub>OH</sub> High-level output voltage	TOUT	R <sub>L</sub> = 3 kΩ to GND, See Note 3	5	9		V
	ROUT	I <sub>OH</sub> = -1 mA	3.5			
V <sub>OL</sub> Low-level output voltage	TOUT	R <sub>L</sub> = 3 kΩ to GND, See Note 4		-9‡	-5	V
	ROUT	I <sub>OL</sub> = 3.2 mA			0.4	
V <sub>IT+</sub> Receiver positive-going input threshold voltage	RIN	V <sub>CC</sub> = 5 V, T <sub>A</sub> = 25°C		1.7	2.4	V
V <sub>IT-</sub> Receiver negative-going input threshold voltage	RIN	V <sub>CC</sub> = 5 V, T <sub>A</sub> = 25°C	0.8	1.2		V
V <sub>hys</sub> Input hysteresis voltage (V <sub>IT+</sub> - V <sub>IT-</sub> )	RIN	V <sub>CC</sub> = 5 V		0.5	1	V
r <sub>i</sub> Receiver input resistance	RIN	V <sub>CC</sub> = 5 V, T <sub>A</sub> = 25°C	3	5	7	kΩ
r <sub>o</sub> Output resistance	TOUT	V <sub>DD</sub> = V <sub>SS</sub> = V <sub>CC</sub> = 0, V <sub>O</sub> = ±2 V	300			Ω
I <sub>OS</sub> Short-circuit output current§	TOUT	V <sub>CC</sub> = 5.5 V, V <sub>O</sub> = 0		±10		mA
I <sub>IS</sub> Short-circuit input current	TIN	V <sub>I</sub> = 0			200	μA
I <sub>CC</sub> Supply current		V <sub>CC</sub> = 5.5 V, T <sub>A</sub> = 25°C, All outputs open		4	8	mA
		All outputs open, T <sub>A</sub> = 25°C, SHUTDOWN high		1	10	

† All typical values are at V<sub>CC</sub> = 5 V, T<sub>A</sub> = 25°C.

‡ The algebraic convention, in which the least positive (most negative) value is designated minimum, is used in this data sheet for logic voltage levels only.

§ Not more than one output should be shorted at one time.

NOTES: 3. Total I<sub>OH</sub> drawn from TOUT1, TOUT2, TOUT3, TOUT4, and V<sub>DD</sub> terminals should not exceed 12 mA.

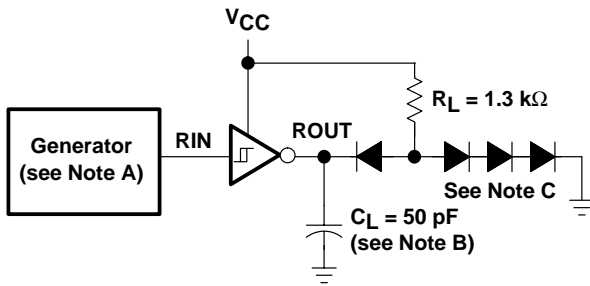
4. Total I<sub>OL</sub> drawn from TOUT1, TOUT2, TOUT3, TOUT4, and V<sub>SS</sub> terminals should not exceed -12 mA.

### switching characteristics, V<sub>CC</sub> = 5 V, T<sub>A</sub> = 25°C

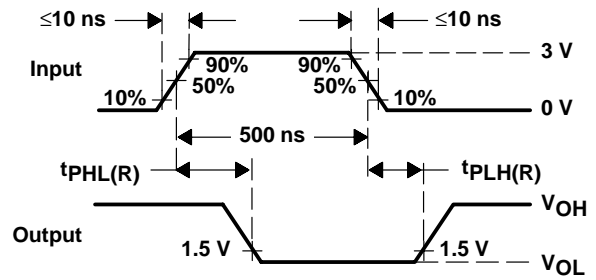
PARAMETER		TEST CONDITIONS	MIN	TYP	MAX	UNIT
t <sub>PLH(R)</sub> Receiver propagation-delay time, low- to high-level output		See Figure 1		500		ns
t <sub>PHL(R)</sub> Receiver propagation-delay time, high- to low-level output		See Figure 1		500		ns
t <sub>PZH</sub> Receiver output-enable time to high level		See Figure 4		100		ns
t <sub>PZL</sub> Receiver output-enable time to low level		See Figure 4		100		ns
t <sub>PHZ</sub> Receiver output-disable time from high level		See Figure 4		50		ns
t <sub>PLZ</sub> Receiver output-disable time from low level		See Figure 4		50		ns
SR Driver slew rate		R <sub>L</sub> = 3 kΩ to 7 kΩ, C <sub>L</sub> = 2500 pF, See Figure 3			30	V/μs
SR <sub>(tr)</sub> Driver transition-region slew rate		R <sub>L</sub> = 3 kΩ to 7 kΩ, C <sub>L</sub> = 2500 pF, See Figure 3	4	6		V/μs



**PARAMETER MEASUREMENT INFORMATION**



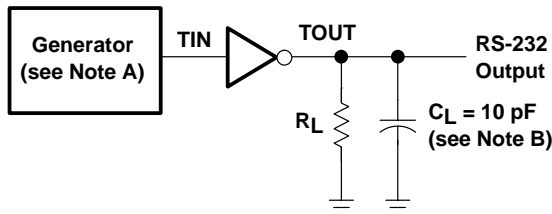
**TEST CIRCUIT**



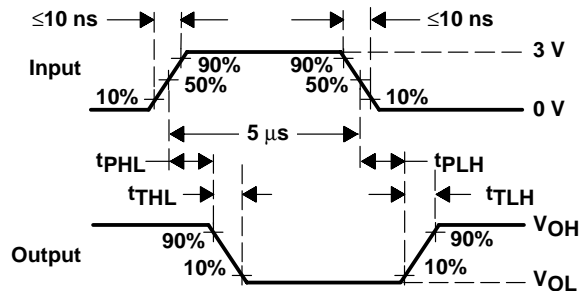
**VOLTAGE WAVEFORMS**

- NOTES: A. The pulse generator has the following characteristics:  $Z_O = 50 \Omega$ , duty cycle  $\leq 50\%$ .  
 B.  $C_L$  includes probe and jig capacitance.  
 C. All diodes are 1N3064 or equivalent.

**Figure 1. Receiver Test Circuit and Waveforms for  $t_{PHL}$  and  $t_{PLH}$  Measurement**



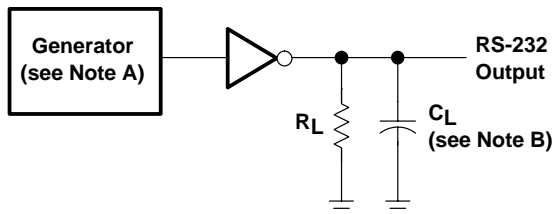
**TEST CIRCUIT**



**VOLTAGE WAVEFORMS**

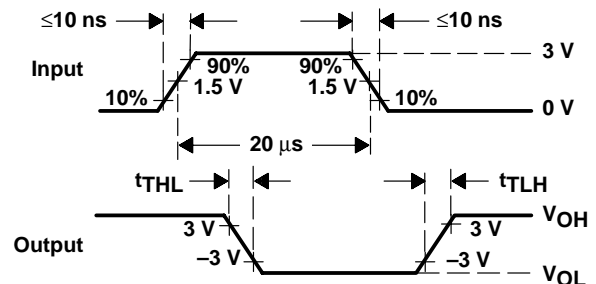
- NOTES: A. The pulse generator has the following characteristics:  $Z_O = 50 \Omega$ , duty cycle  $\leq 50\%$ .  
 B.  $C_L$  includes probe and jig capacitance.

**Figure 2. Driver Test Circuit and Waveforms for  $t_{PHL}$  and  $t_{PLH}$  Measurement (5- $\mu$ s Input)**



**TEST CIRCUIT**

$$SR = \frac{6 \text{ V}}{t_{THL} \text{ or } t_{TLH}}$$



**VOLTAGE WAVEFORMS**

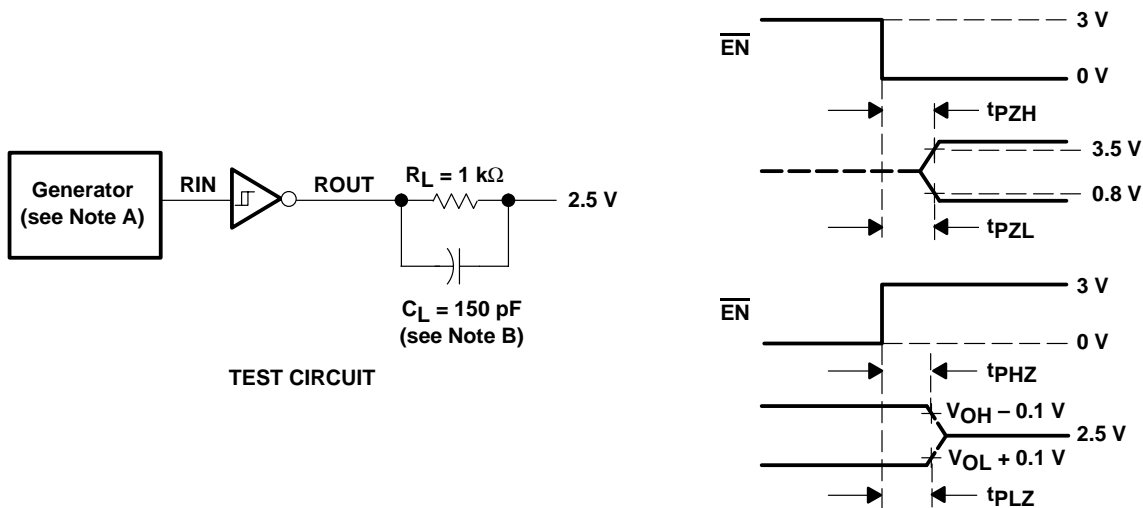
- NOTES: A. The pulse generator has the following characteristics:  $Z_O = 50 \Omega$ , duty cycle  $\leq 50\%$ .  
 B.  $C_L$  includes probe and jig capacitance.

**Figure 3. Test Circuit and Waveforms for  $t_{THL}$  and  $t_{TLH}$  Measurement (20- $\mu$ s Input)**

# SN75LBC241 LOW-POWER LinBiCMOS™ MULTIPLE DRIVERS AND RECEIVERS

SLLS137F – MAY 1992 – REVISED FEBRUARY 2001

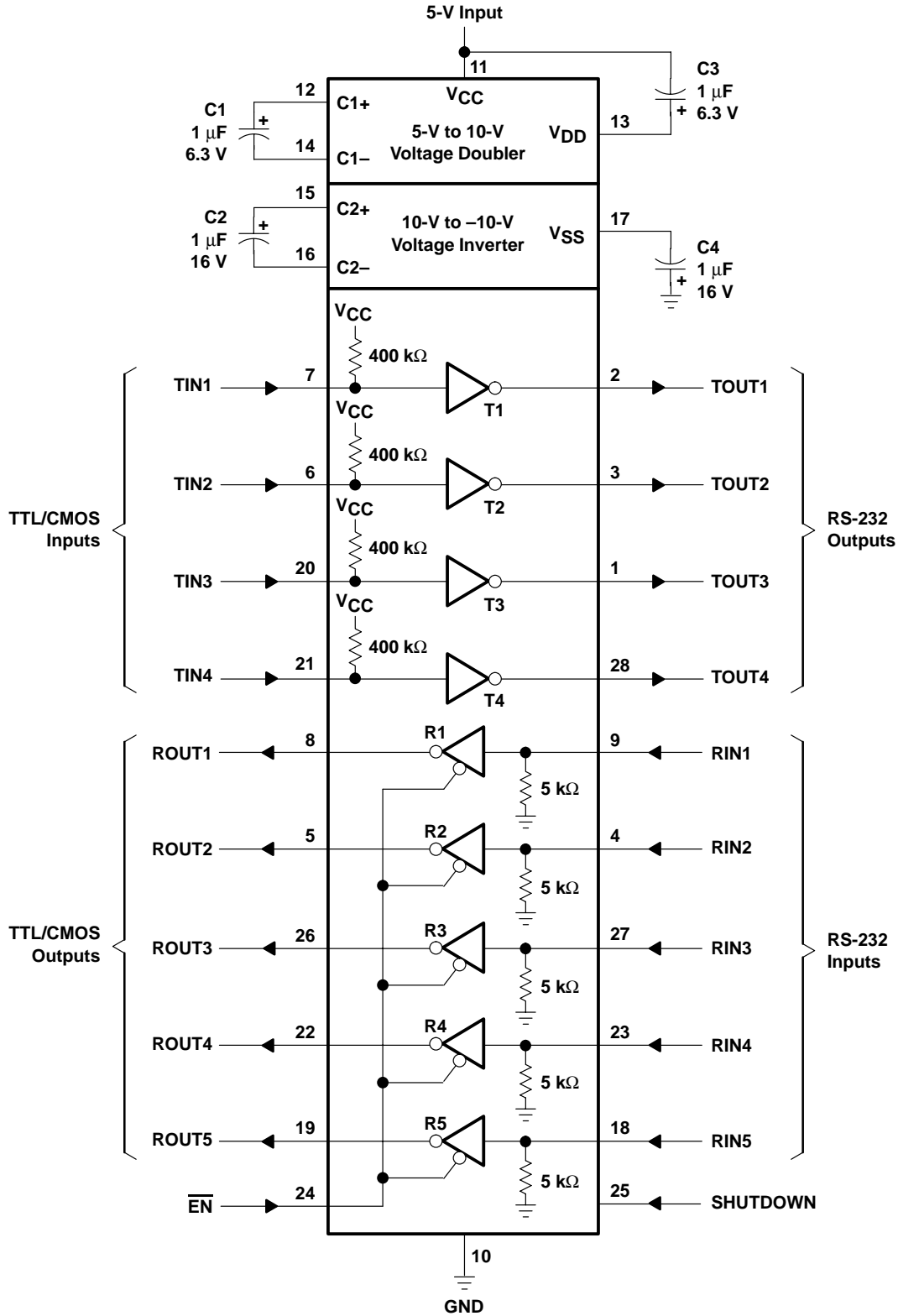
## PARAMETER MEASUREMENT INFORMATION



- NOTES: A. The pulse generator has the following characteristics:  $Z_O = 50\ \Omega$ , duty cycle  $\leq 50\%$ .  
 B.  $C_L$  includes probe and jig capacitance.

Figure 4. Receiver Output Enable and Disable Timing

**APPLICATION INFORMATION**



**Figure 5. Typical Operating Circuit**

**PACKAGING INFORMATION**

Orderable Device	Status (1)	Package Type	Package Drawing	Pins	Package Qty	Eco Plan (2)	Lead finish/ Ball material (6)	MSL Peak Temp (3)	Op Temp (°C)	Device Marking (4/5)	Samples
SN75LBC241DW	ACTIVE	SOIC	DW	28	20	RoHS & Green	NIPDAU	Level-1-260C-UNLIM	0 to 70	SN75LBC241	<a href="#">Samples</a>
SN75LBC241DWR	ACTIVE	SOIC	DW	28	1000	RoHS & Green	NIPDAU	Level-1-260C-UNLIM	0 to 70	SN75LBC241	<a href="#">Samples</a>

(1) The marketing status values are defined as follows:

**ACTIVE:** Product device recommended for new designs.

**LIFEBUY:** TI has announced that the device will be discontinued, and a lifetime-buy period is in effect.

**NRND:** Not recommended for new designs. Device is in production to support existing customers, but TI does not recommend using this part in a new design.

**PREVIEW:** Device has been announced but is not in production. Samples may or may not be available.

**OBSOLETE:** TI has discontinued the production of the device.

(2) **RoHS:** TI defines "RoHS" to mean semiconductor products that are compliant with the current EU RoHS requirements for all 10 RoHS substances, including the requirement that RoHS substance do not exceed 0.1% by weight in homogeneous materials. Where designed to be soldered at high temperatures, "RoHS" products are suitable for use in specified lead-free processes. TI may reference these types of products as "Pb-Free".

**RoHS Exempt:** TI defines "RoHS Exempt" to mean products that contain lead but are compliant with EU RoHS pursuant to a specific EU RoHS exemption.

**Green:** TI defines "Green" to mean the content of Chlorine (Cl) and Bromine (Br) based flame retardants meet JS709B low halogen requirements of <=1000ppm threshold. Antimony trioxide based flame retardants must also meet the <=1000ppm threshold requirement.

(3) MSL, Peak Temp. - The Moisture Sensitivity Level rating according to the JEDEC industry standard classifications, and peak solder temperature.

(4) There may be additional marking, which relates to the logo, the lot trace code information, or the environmental category on the device.

(5) Multiple Device Markings will be inside parentheses. Only one Device Marking contained in parentheses and separated by a "~" will appear on a device. If a line is indented then it is a continuation of the previous line and the two combined represent the entire Device Marking for that device.

(6) Lead finish/Ball material - Orderable Devices may have multiple material finish options. Finish options are separated by a vertical ruled line. Lead finish/Ball material values may wrap to two lines if the finish value exceeds the maximum column width.

**Important Information and Disclaimer:**The information provided on this page represents TI's knowledge and belief as of the date that it is provided. TI bases its knowledge and belief on information provided by third parties, and makes no representation or warranty as to the accuracy of such information. Efforts are underway to better integrate information from third parties. TI has taken and continues to take reasonable steps to provide representative and accurate information but may not have conducted destructive testing or chemical analysis on incoming materials and chemicals. TI and TI suppliers consider certain information to be proprietary, and thus CAS numbers and other limited information may not be available for release.

In no event shall TI's liability arising out of such information exceed the total purchase price of the TI part(s) at issue in this document sold by TI to Customer on an annual basis.





**TAPE AND REEL INFORMATION**

**QUADRANT ASSIGNMENTS FOR PIN 1 ORIENTATION IN TAPE**


\*All dimensions are nominal

Device	Package Type	Package Drawing	Pins	SPQ	Reel Diameter (mm)	Reel Width W1 (mm)	A0 (mm)	B0 (mm)	K0 (mm)	P1 (mm)	W (mm)	Pin1 Quadrant
SN75LBC241DWR	SOIC	DW	28	1000	330.0	32.4	11.35	18.67	3.1	16.0	32.0	Q1

**TAPE AND REEL BOX DIMENSIONS**


\*All dimensions are nominal

Device	Package Type	Package Drawing	Pins	SPQ	Length (mm)	Width (mm)	Height (mm)
SN75LBC241DWR	SOIC	DW	28	1000	350.0	350.0	66.0

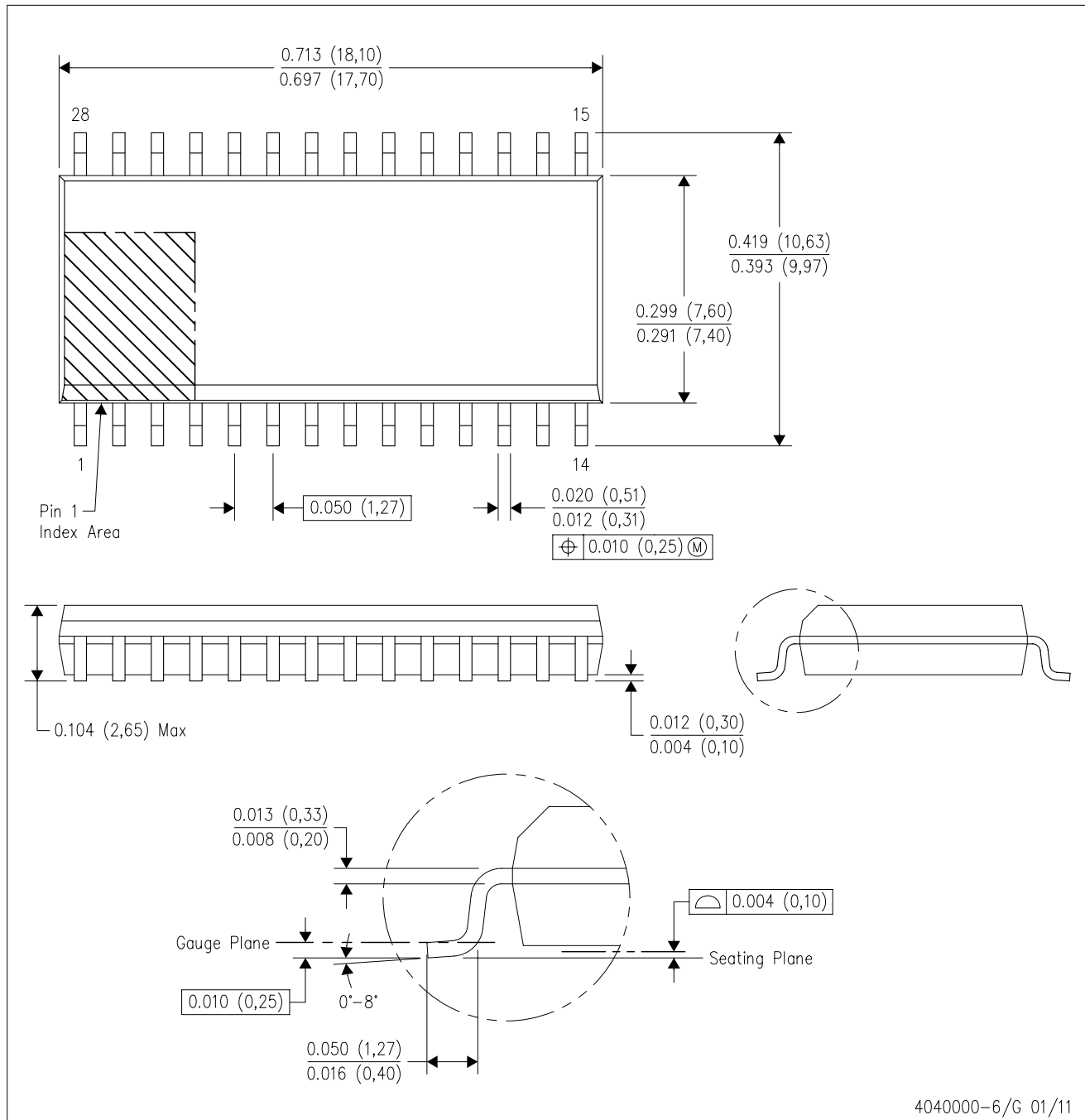
**TUBE**


\*All dimensions are nominal

Device	Package Name	Package Type	Pins	SPQ	L (mm)	W (mm)	T (μm)	B (mm)
SN75LBC241DW	DW	SOIC	28	20	506.98	12.7	4826	6.6

DW (R-PDSO-G28)

PLASTIC SMALL OUTLINE



- NOTES:
- All linear dimensions are in inches (millimeters). Dimensioning and tolerancing per ASME Y14.5M-1994.
  - This drawing is subject to change without notice.
  - Body dimensions do not include mold flash or protrusion not to exceed 0.006 (0,15).
  - Falls within JEDEC MS-013 variation AE.

## IMPORTANT NOTICE AND DISCLAIMER

TI PROVIDES TECHNICAL AND RELIABILITY DATA (INCLUDING DATA SHEETS), DESIGN RESOURCES (INCLUDING REFERENCE DESIGNS), APPLICATION OR OTHER DESIGN ADVICE, WEB TOOLS, SAFETY INFORMATION, AND OTHER RESOURCES "AS IS" AND WITH ALL FAULTS, AND DISCLAIMS ALL WARRANTIES, EXPRESS AND IMPLIED, INCLUDING WITHOUT LIMITATION ANY IMPLIED WARRANTIES OF MERCHANTABILITY, FITNESS FOR A PARTICULAR PURPOSE OR NON-INFRINGEMENT OF THIRD PARTY INTELLECTUAL PROPERTY RIGHTS.

These resources are intended for skilled developers designing with TI products. You are solely responsible for (1) selecting the appropriate TI products for your application, (2) designing, validating and testing your application, and (3) ensuring your application meets applicable standards, and any other safety, security, regulatory or other requirements.

These resources are subject to change without notice. TI grants you permission to use these resources only for development of an application that uses the TI products described in the resource. Other reproduction and display of these resources is prohibited. No license is granted to any other TI intellectual property right or to any third party intellectual property right. TI disclaims responsibility for, and you will fully indemnify TI and its representatives against, any claims, damages, costs, losses, and liabilities arising out of your use of these resources.

TI's products are provided subject to [TI's Terms of Sale](#) or other applicable terms available either on [ti.com](http://ti.com) or provided in conjunction with such TI products. TI's provision of these resources does not expand or otherwise alter TI's applicable warranties or warranty disclaimers for TI products.

TI objects to and rejects any additional or different terms you may have proposed.

Mailing Address: Texas Instruments, Post Office Box 655303, Dallas, Texas 75265  
Copyright © 2022, Texas Instruments Incorporated