

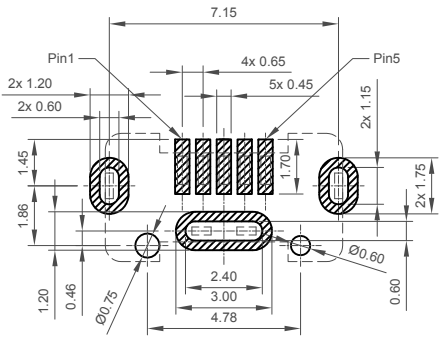
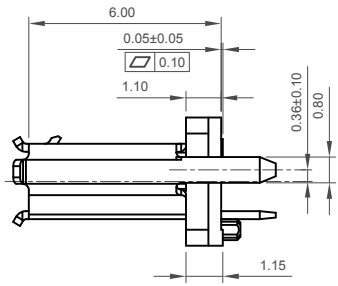
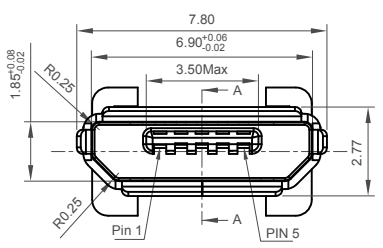
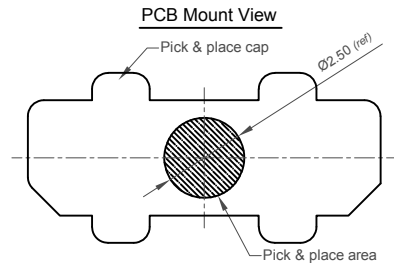
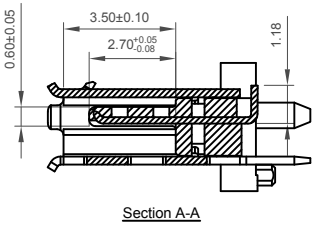
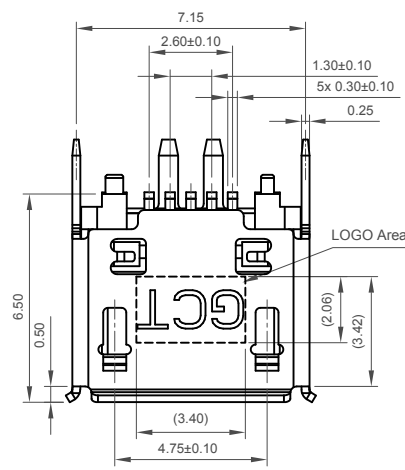
Specifications

Material
 Plastic Housing : LCP, UL94V-0, Black
 Contact Terminal : Copper Alloy
 Metallic Shell : Stainless Steel T=0.25mm.

Plating
 Contact Terminal:
 Contact Area: 30µ" Gold
 Solder Tails: Gold Flash
 Underplating: 50µ" Nickel
 Metallic Shell: Matte Tin over 50µ" Nickel

Electrical
 Voltage Rating: 30 V AC
 Current Rating: Signal (Pins 2,3,4): 1.0 A.
 Power (Pins 1,5): 1.8A.
 Operating Temperature: -30°C to +85°C.
 Contact Resistance: 30mΩ max.
 Insulating Resistance: 1000MΩ min.
 Dielectric Withstand Voltage: 100V AC/minute

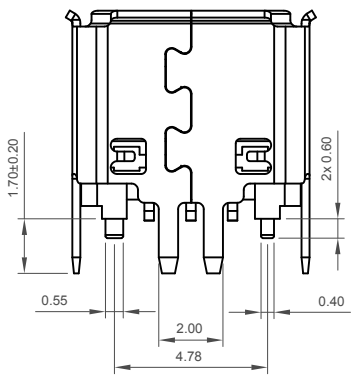
Mechanical & Environmental
 Mating Force: 35N max.
 Unmating Force: 8N to 25N after durability test
 Durability: 10,000 Cycles



Recommended PCB Layout
 As viewed from component side General tolerance: ±0.05
 [Hatched] Solder Area [Outline] Component Outline

Ordering Grid
USB3180 - 30 - C [Request Samples and Quotation](#)
Contact Plating
 30 = 30µ" Gold
Packing Options
 C = Tape & Reel with Cap
 (500 per reel)

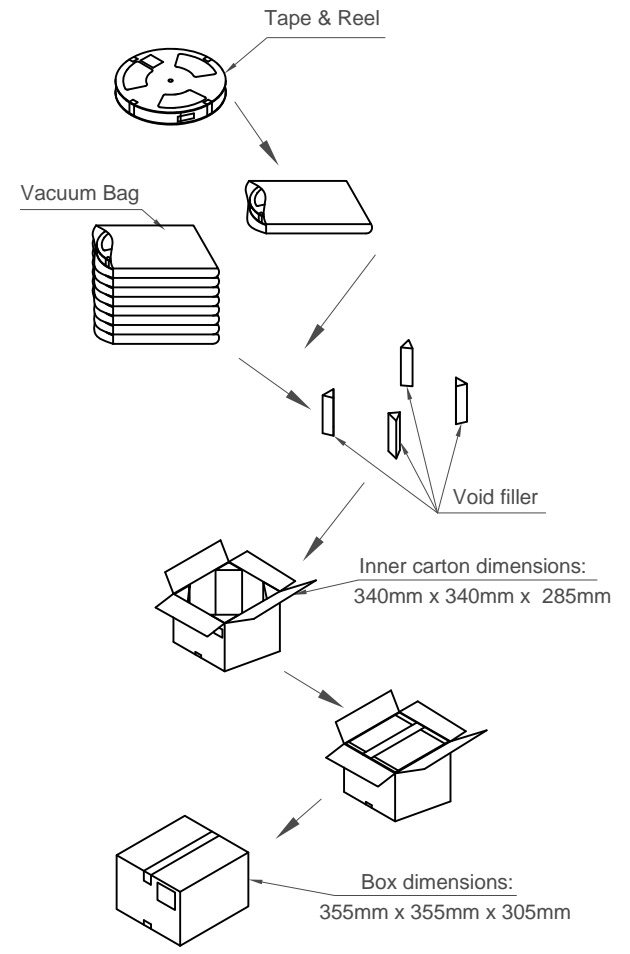
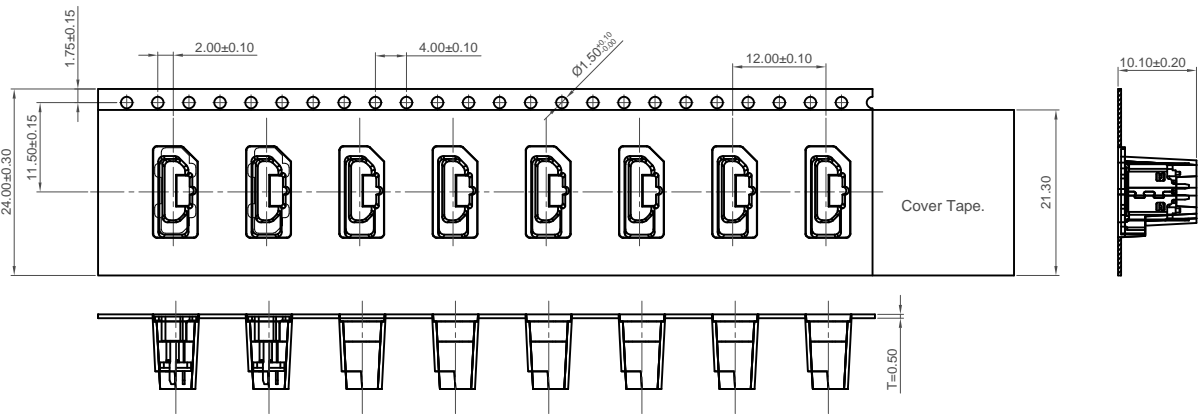
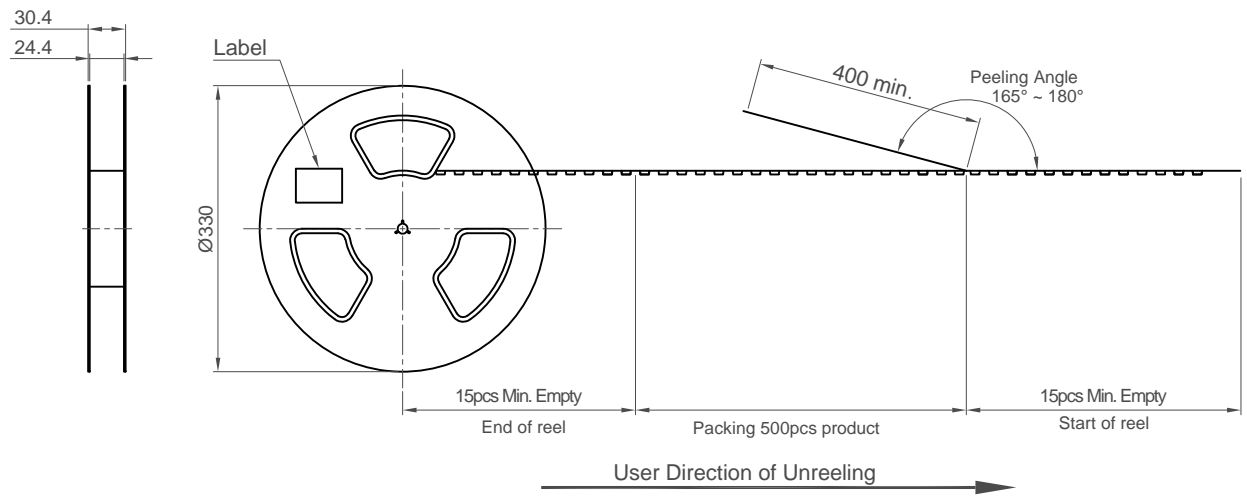
Designed to comply with physical, electrical and environmental requirements of Micro USB Standard (USB2.0)



Part Number		Product Description		
USB3180		Micro USB Receptacle, Type B, Surface Mount, Vertical, with Through-Hole Shell Stakes		
Drawing Date		2nd April 2020		
By	CC	Tolerances (Except as Noted)	Units:	
Detail	Drawing Release	Length X ±0.50	Metric (mm)	
Revision	A	Angle X.X ± 0.30		
Date	02/04/20	X.XX ± 0.20		
		X.XXX ± 0.10	X.X° ± 2°	
This drawing is confidential and copyright of Global Connector Technology, Ltd (GCT). This drawing must not be copied or disclosed without written consent. E & OE				
Not to Scale	Drawn By	CC	Sheet No. 1/2	



H
G
F
E
D
C
B
A



Notes:
Peeling off force of top tape: 0.1-1.3N (Peeling direction as shown)

Materials:
Carrier Tape: Polystyrene (PS)
Top Tape: PE
Reel Tape: Polystyrene (PS)

Pcs / Reel	Reels / Carton	Total Quantity
500	9	4500 pcs

Part Number USB3180		Product Description Micro USB Receptacle, Type B, Surface Mount, Vertical, with Through-Hole Shell Stakes		 	 This drawing is confidential and copyright of Global Connector Technology, Ltd (GCT). This drawing must not be copied or disclosed without written consent. E & OE	 www.gct.co
Drawing Date 2nd April 2020						
By CC	Drawing Release	Tolerances (Except as Noted)	Units: Metric (mm)			
Detail	Revision A	Length X.±0.20 X.X ± 0.15 X.XX ± 0.10 X.XXX ± 0.05	Angle X.X° ± 2°	 3rd Angle Projection	Not to Scale Drawn By CC	Sheet No. 2/2
Revision Date	02/04/20					