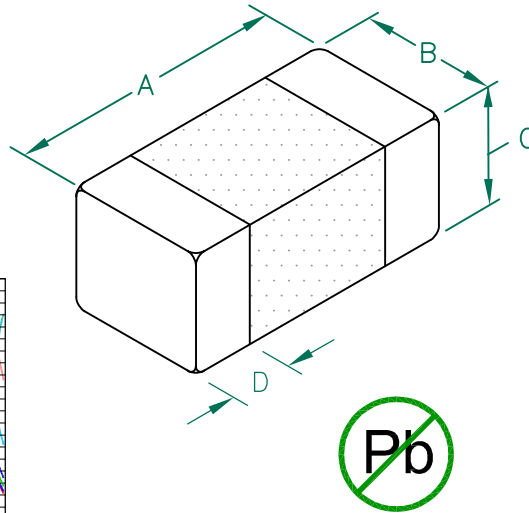


# MI0603L221R-10

**UNCONTROLLED DOCUMENT**

**PHYSICAL DIMENSIONS:**

A	1.60 [.063]	+ 0.15	[.006]
B	0.80 [.031]	+ 0.15	[.006]
C	0.80 [.031]	+ 0.15	[.006]
D	0.36 [.014]	+ 0.15	[.006]

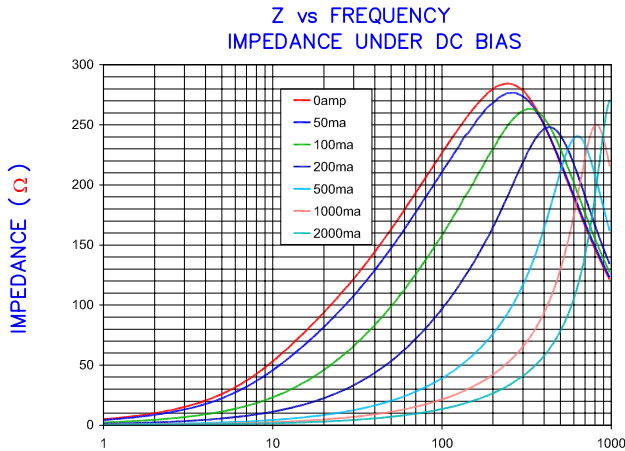


**ELECTRICAL CHARACTERISTICS:**

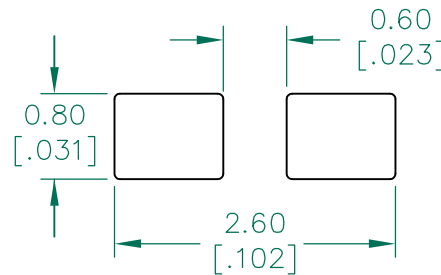
Z @ 100MHz (Ω)	DCR (Ω)	Rated Current
Nominal	220	-
Minimum	165	-
Maximum	275	2000 mA

NOTES: UNLESS OTHERWISE SPECIFIED

1. TAPED AND REELED per CURRENT EIA SPECIFICATIONS 7" REELS, 4000 PCS/REEL.
2. COMPONENTS SHOULD BE ADEQUATELY PREHEATED BEFORE SOLDERING.
3. TERMINATION FINISH IS 100% TIN.
4. OPERATING TEMP. RANGE: -40°C~+125°C. (INCLUDING SELF-HEATING)

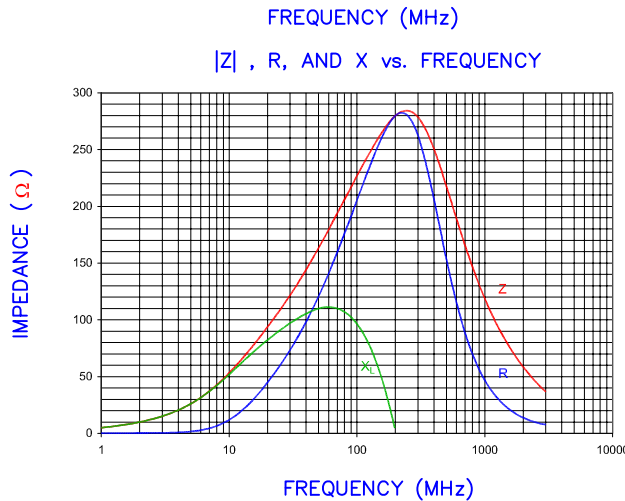
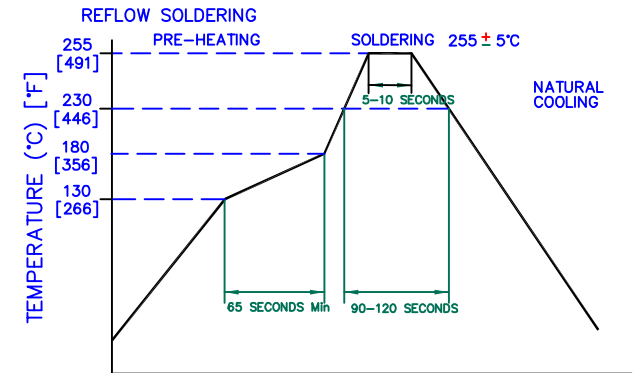


**LAND PATTERNS FOR REFLOW SOLDERING**



(For wave soldering, add 0.762 [.030] to this dimension)

**RECOMMENDED SOLDERING CONDITIONS**



DIMENSIONS ARE IN mm [INCHES].		This print is the property of Laird Tech. and is loaned in confidence subject to return upon request and with the understanding that no copies shall be made without the written consent of Laird Tech. All rights to design or invention are reserved.		<b>Laird</b>	
E	ADD OPERATING TEMPERATURE UPDATE LAIRD LOGO AND REFLOW CURVE	08/05/13	QU	PROJECT/PART NUMBER:	REV: E
D	UPDATE COMPANY LOGO	07/25/08	JRK	MI0603L221R-10	PART TYPE: CO-FIRE
C	CHANGE DCR FROM .080	09/27/06	JRK	DATE: 04/20/04	DRAWN BY: JRK
B	RE-ACTIVATE PRINT REM NOM/MIN DCR SPECS	02/17/06	JRK	SCALE: -	SHEET: 2 of 2
A	ORIGINAL DRAFT	04/20/04	JRK	CAD #	TOOL # -
REV	DESCRIPTION	DATE	INT	MI0603L221R-10-E	