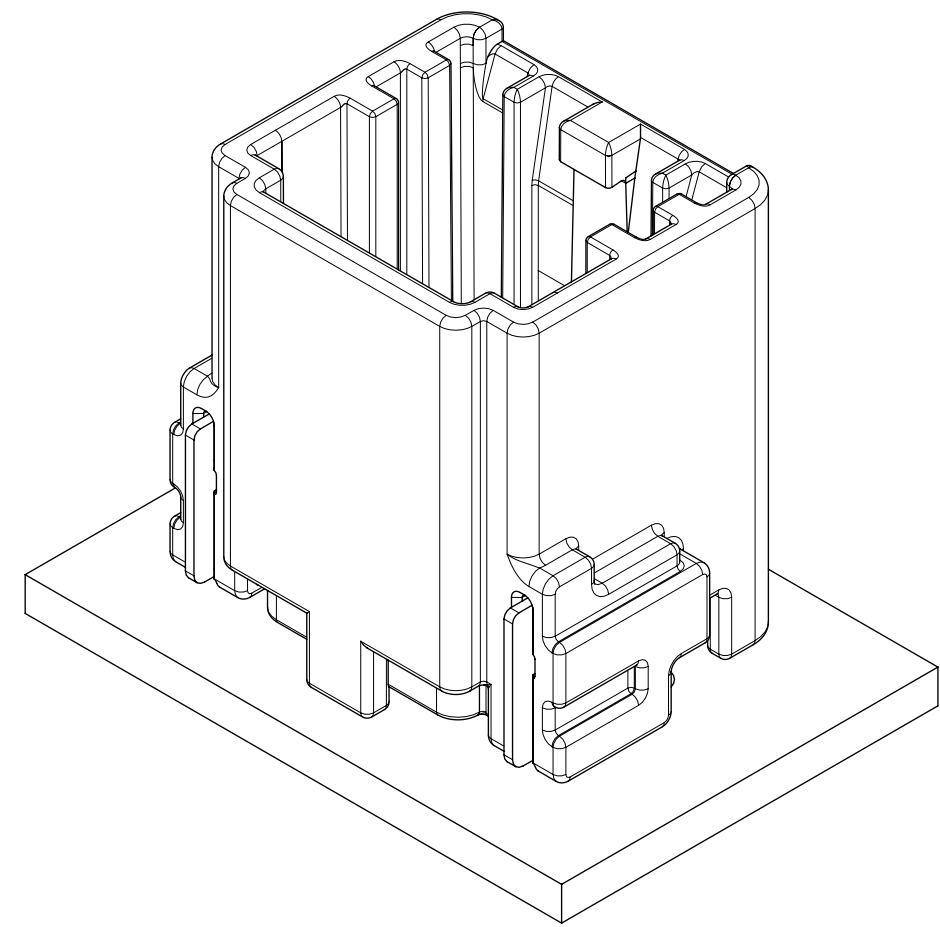


TABLE OF CONTENTS	
SHEET NO.	SHEET DESCRIPTION
1	NOTES, BOM & EXPLODED VIEWS
2	CONFIGUARTIONS
3	CONNECTOR & PCB INTERFACE
4	RECOMMENDED PCB LAYOUT (4 SHIELD TAB VERSION)
5	RECOMMENDED PCB LAYOUT (2 SHIELD TAB VERSION)

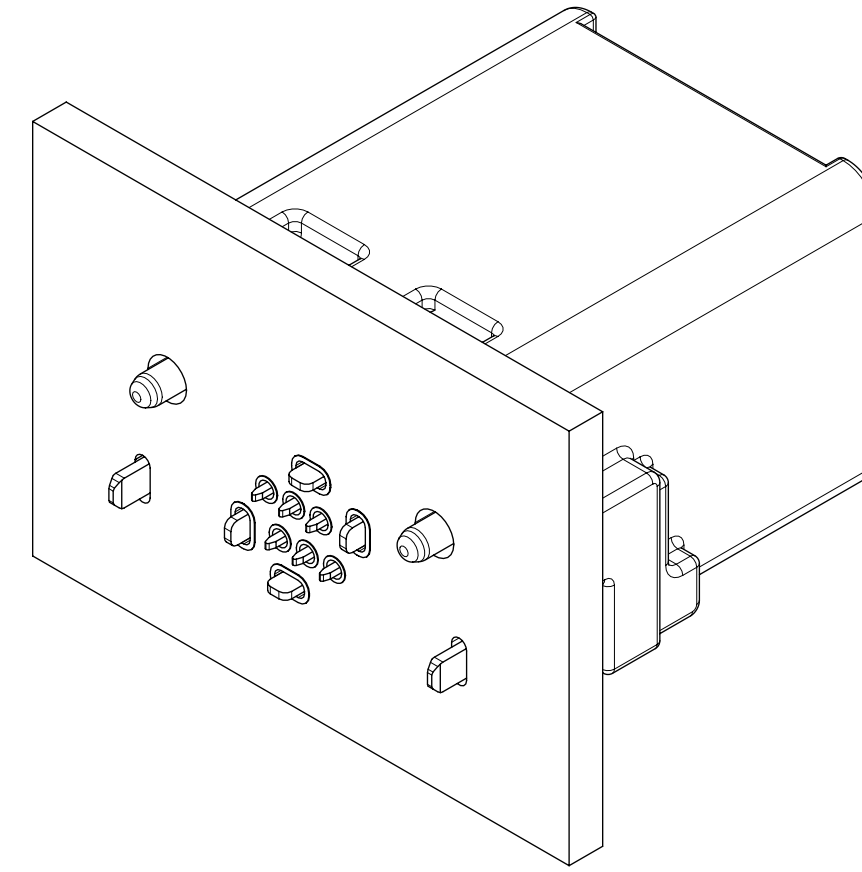
DESCRIPTION	MATERIAL NUMBER	CIRCUIT SIZE	COLOR	SHIELD TABS	STATUS
6 CKT UNSEALED VERTICAL HEADER ASSEMBLY - KEY A	1600641103	2X3	BLACK	4	SALEABLE
6 CKT UNSEALED VERTICAL HEADER ASSEMBLY - KEY B	1600641113	2X3	GREY	4	SALEABLE
6 CKT UNSEALED VERTICAL HEADER ASSEMBLY - KEY C	1600641123	2X3	DARK GREY	4	SALEABLE
6 CKT UNSEALED VERTICAL HEADER ASSEMBLY - KEY D	1600641133	2X3	GREEN	4	SALEABLE
6 CKT UNSEALED VERTICAL HEADER ASSEMBLY - KEY B W/ 2 SHIELD TABS	1600641313	2X3	GREY	2	SALEABLE
6 CKT UNSEALED VERTICAL HEADER ASSEMBLY - KEY A W/ 2 SHIELD TABS & SHORT TAILS	1600641403	2X3	BLACK	2	SALEABLE

NOTES:

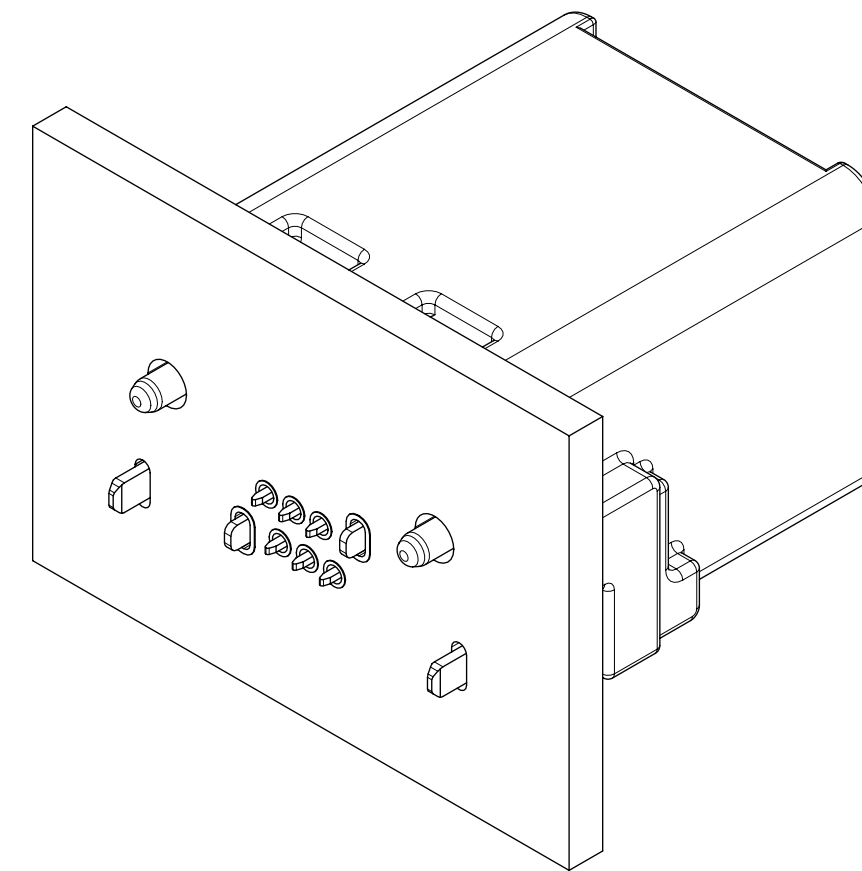
1. GENERAL:
 - a. APPLICATION SPECIFICATION SEE: TBD
 - b. PRODUCT SPECIFICATION SEE: TBD
 - c. PACKAGING SPECIFICATION PER MOLEX DRAWING: PK-31302-336
 - d. PARTS MUST BE IN COMPLIANCE TO MOLEX CHEMICAL SUBSTANCES FOR PRODUCTS AND PACKAGING SPECIFICATION: QEHS-699000-300
 - e. DATA MUST BE SUBMITTED UNDER THE MOLEX PART NUMBER TO IMDS (COMPANY ID#13255)
 - f. PCB TO BE FR4 .062" (1.57mm) THICK
 - g. MATING CONNECTOR MINIMUM CLEARANCE: REGION TO REMAIN CLEAR OF MODULE COMPONENTS, ADHESIVE, DEBRIS, ETC.
2. DESIGN - MATERIALS:
 - a. HEADER HOUSING - SPS GF30%
 - b. TERMINALS - COPPER ALLOY
OVERMOLDING - LCP GF30%
MATE-SIDE PLATING: SELECTIVE GOLD OVER NICKEL
PCB-SIDE PLATING: TIN OVER NICKEL
 - c. BISCUIT HOUSING - SPS GF30%
 - d. SHIELDS - COPPER ALLOY
PLATING (OVERALL): TIN OVER NICHEL
3. DESIGN - GEOMETRY:
 - a. GEOMETRIC DIMENSIONS AND TOLERANCES PER ASME Y14.5M-2009
 - b. EDGES AND UNDIMENSIONED DETAILS PER ISO13715
 - c. CORNERS SHOWN AS SHARP TO BE R0.2 MAX.
4. LASER MARKING TO BE MARKED WITH:
 - HUMAN READABLE CODE (HRC)
 - PERMANENTLY APPLIED ON THE PART WITH 1.5mm LETTER SIZE
 - 5DIGIT JULIAN MANUFACTURING DATE STAMP YYDDD



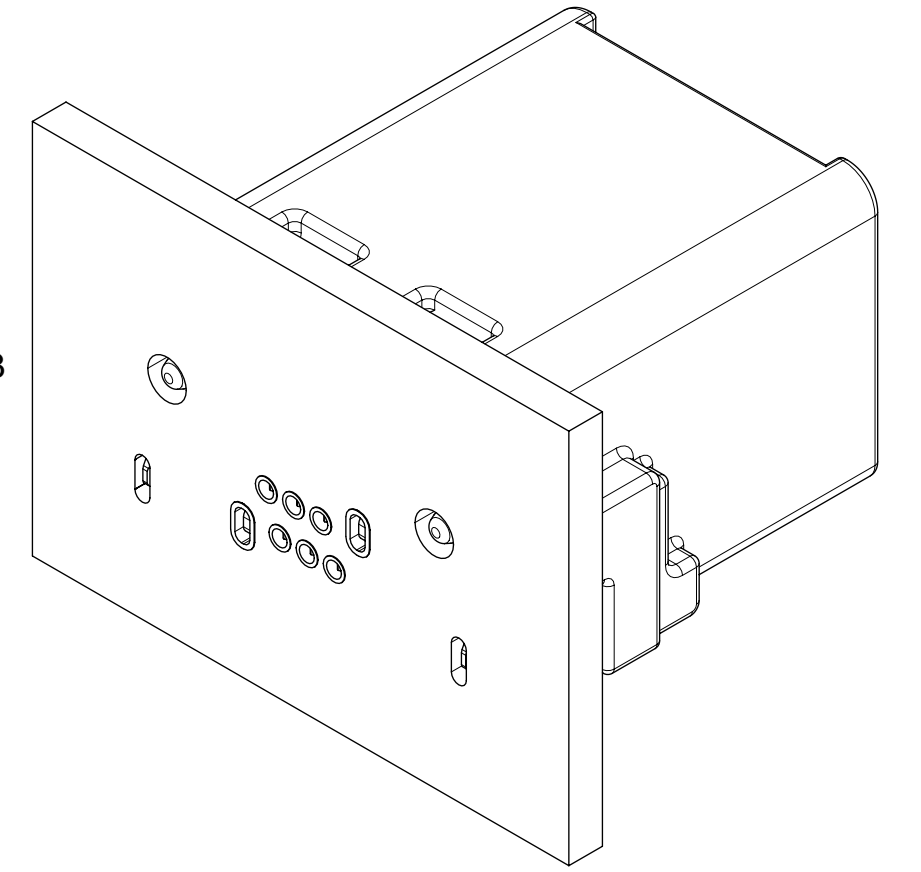
4 SHIELD TAB VERSION
16006411XX



2 SHIELD TAB VERSION
16006413XX



SHORTENED 2 SHIELD TAB
VERSION 16006414XX



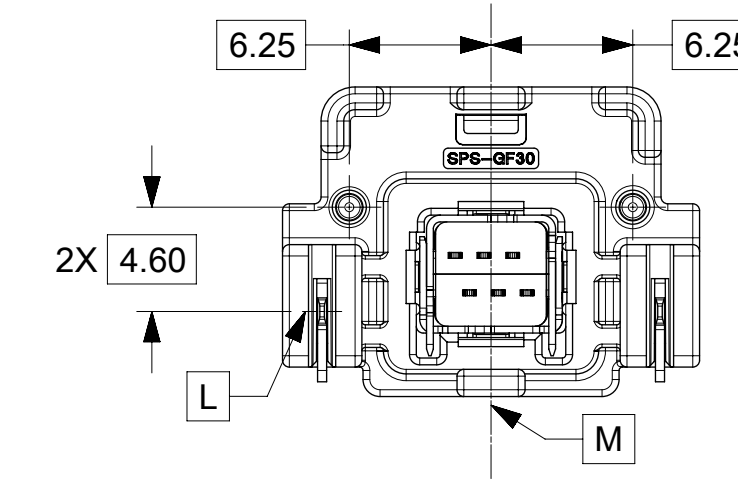
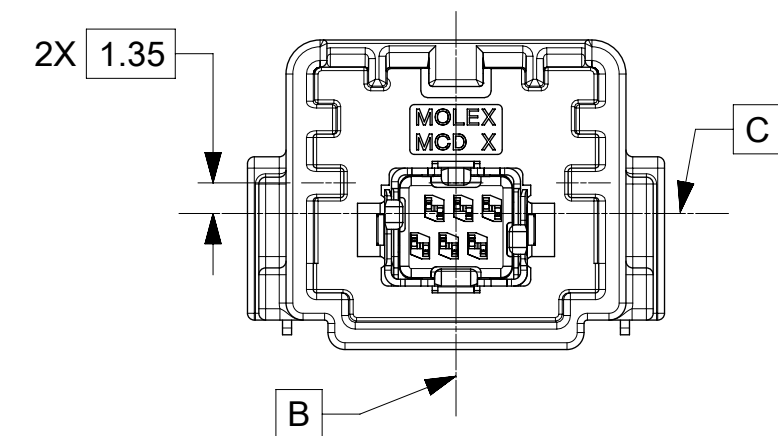
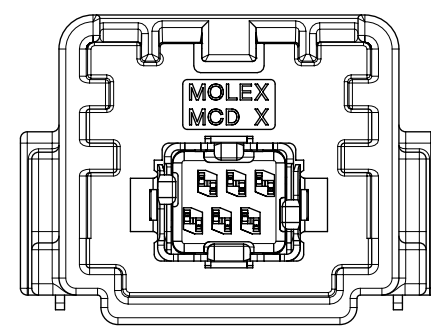
B3	OBSOLETE PART NUMBERS 1600641143, 1600641153, 1600641303, 1600641323, 1600641333, 1600641343 & 1600641353	RPRABHUM	1MARCH2021
B2	UPDATED PCB LAYOUT - PIN HOLE DIA	SUDAYGUNAGI	24JULY2020
REV	DESCRIPTION	ENGINEER	DATE

THIS DRAWING CONTAINS INFORMATION THAT IS PROPRIETARY TO MOLEX ELECTRONIC TECHNOLOGIES, LLC AND SHOULD NOT BE USED WITHOUT WRITTEN PERMISSION AS PER PCN 509458			
DIMENSION UNITS mm	SCALE 1:1	CURRENT REV DESC: OBSOLETE PART NUMBERS	
GENERAL TOLERANCES (UNLESS SPECIFIED)		<p>molex</p> <p>6 CKT HSAUTOLINK II VERTICAL UNSEALED HEADER ASSEMBLY</p> <p>PRODUCT CUSTOMER DRAWING</p>	
ANGULAR TOL	± 1.0°		
4 PLACES	±		
3 PLACES	±		
2 PLACES	± 0.13		
1 PLACE	± 0.25	EC NO: 659363	2021/03/01
0 PLACES	±	DRWN: RPRABHUM	2021/04/06
DRAFT WHERE APPLICABLE MUST REMAIN WITHIN DIMENSIONS		CHK'D: GGA	2021/04/06
THIRD ANGLE PROJECTION		APPR: GGA	2021/04/06
DRAWING		INITIAL REVISION:	DOCUMENT NUMBER
D-SIZE		DRWN: DGILKEY	SD-160064-1103
SERIES		APPR: CEHAYNES	DOC TYPE
160064		2016/05/23	PSD
SEE TABLE		2016/10/10	000
GENERAL MARKET		REVISION	B3
1 OF 5		MATERIAL NUMBER	
		CUSTOMER	
		SHEET NUMBER	

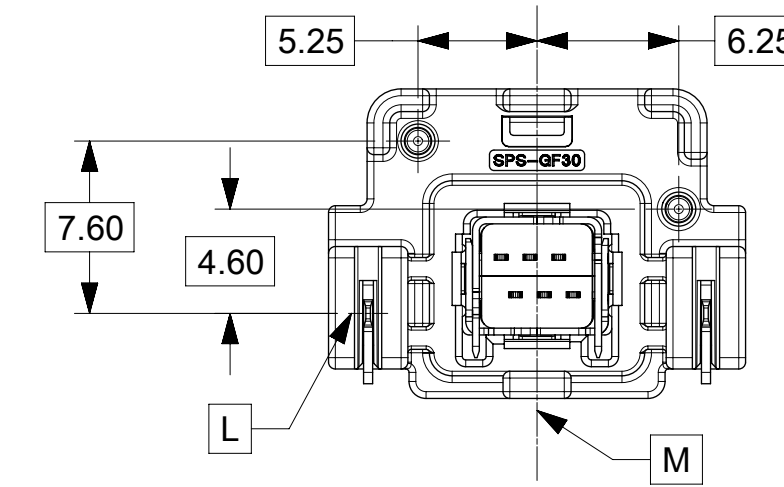
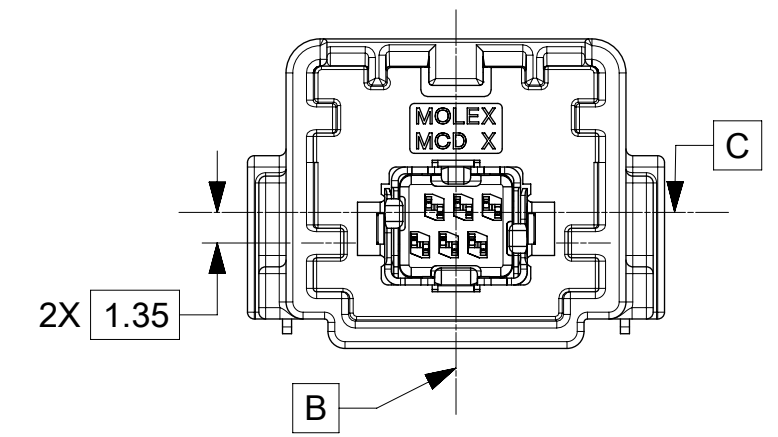
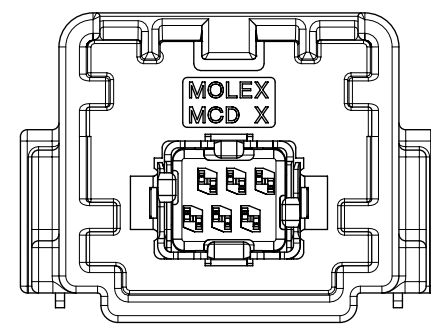
SHEET DESCRIPTION

CONFIGURATIONS

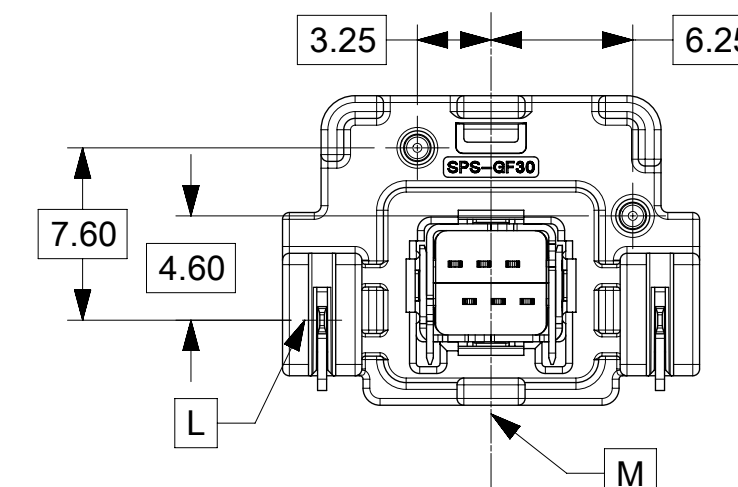
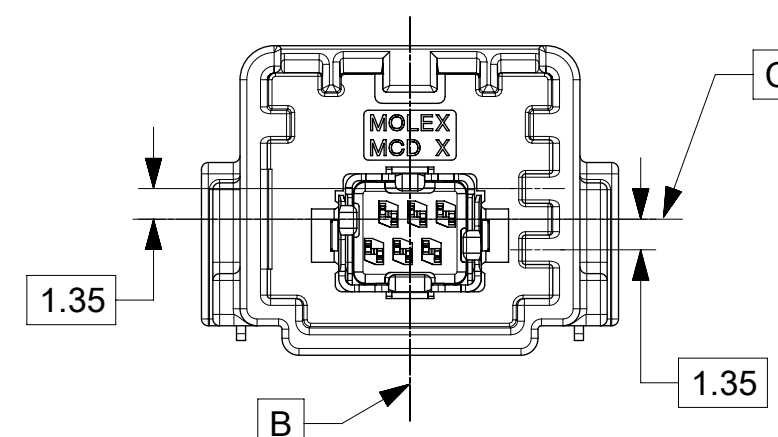
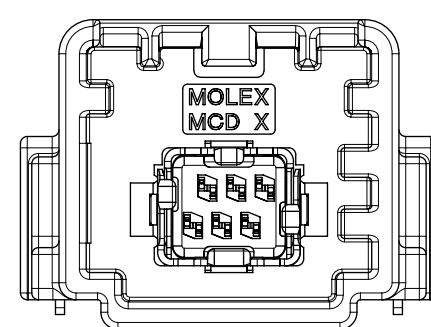
KEY OPTION A
COLOR: BLACK



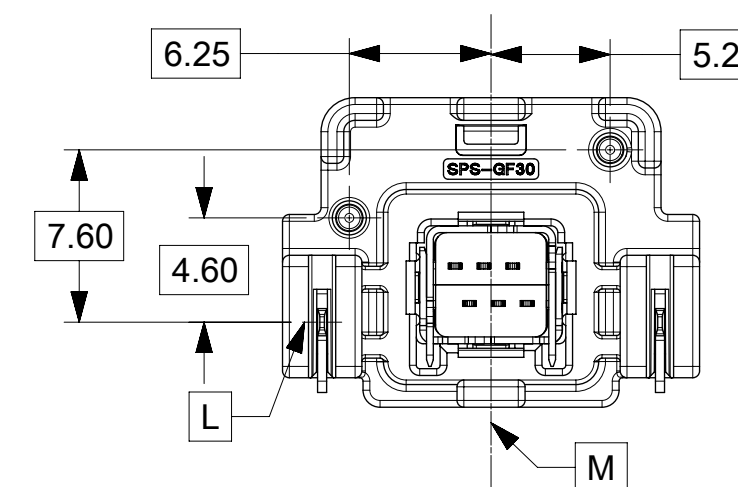
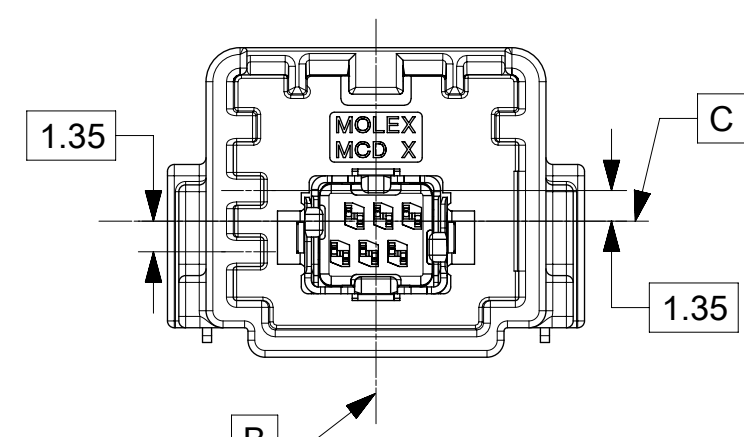
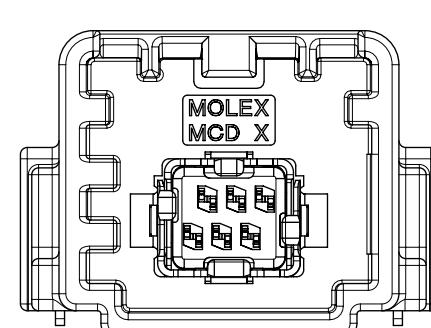
KEY OPTION B
COLOR: GREY



KEY OPTION C
COLOR: DARK GREY



KEY OPTION D
COLOR: GREEN



THIS DRAWING CONTAINS INFORMATION THAT IS PROPRIETARY TO MOLEX ELECTRONIC TECHNOLOGIES, LLC AND SHOULD NOT BE USED WITHOUT WRITTEN PERMISSION

DIMENSION UNITS: mm
SCALE: 4:1

CURRENT REV DESC: OBSOLETE PART NUMBERS AS PER PCN 509458

GENERAL TOLERANCES (UNLESS SPECIFIED)

ANGULAR TOL	± 1.0°
4 PLACES	±
3 PLACES	±
2 PLACES	± 0.13
1 PLACE	± 0.25
0 PLACES	±

EC NO: 659363
DRWN: RPRABHUM 2021/03/01
CHK'D: GGA 2021/04/06
APPR: GGA 2021/04/06
INITIAL REVISION:
DRWN: DGILKEY 2016/05/23
APPR: CEHAYNES 2016/10/10

molex

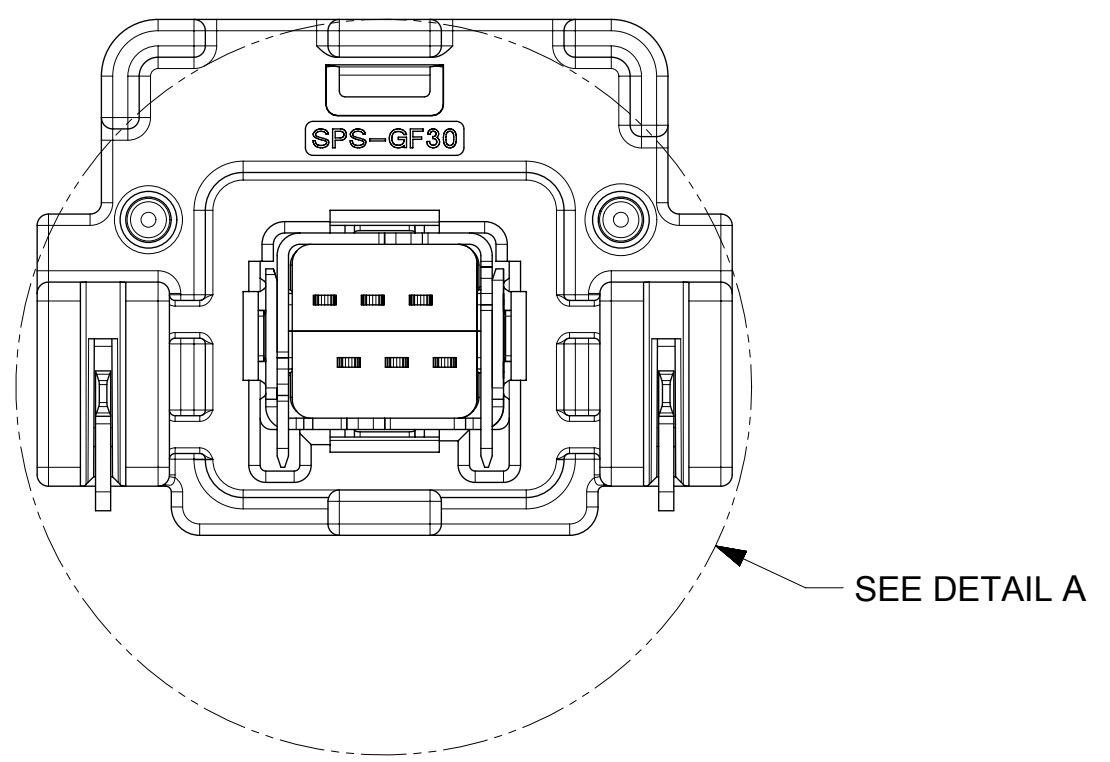
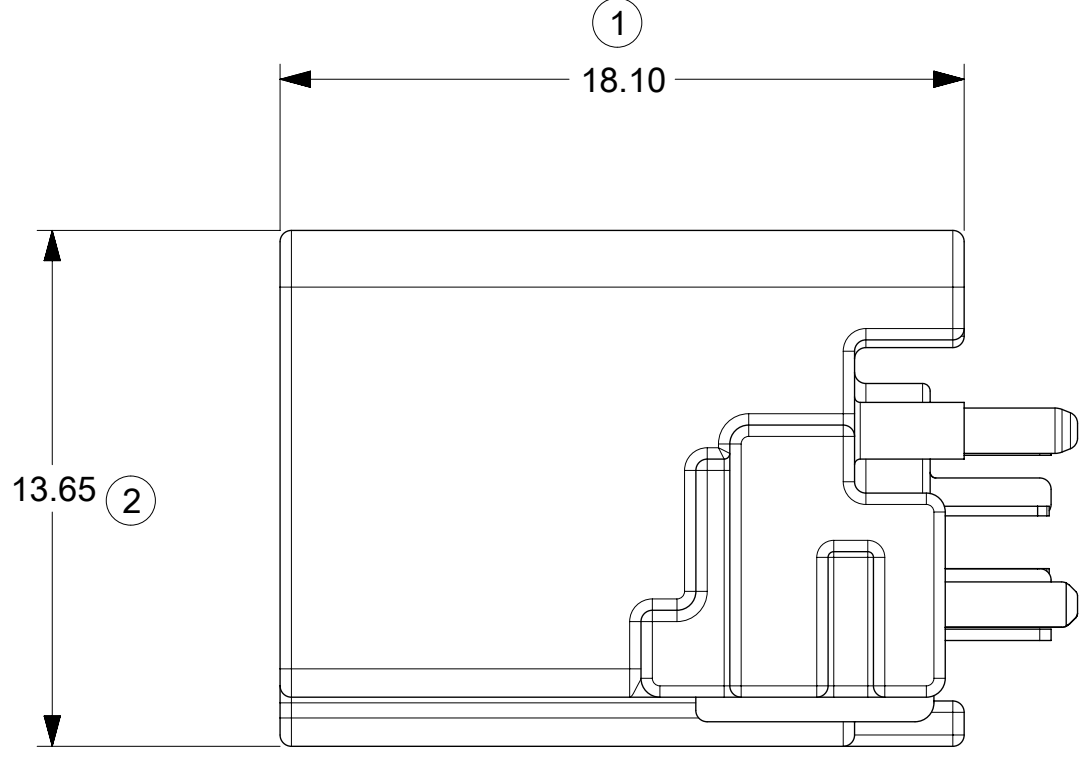
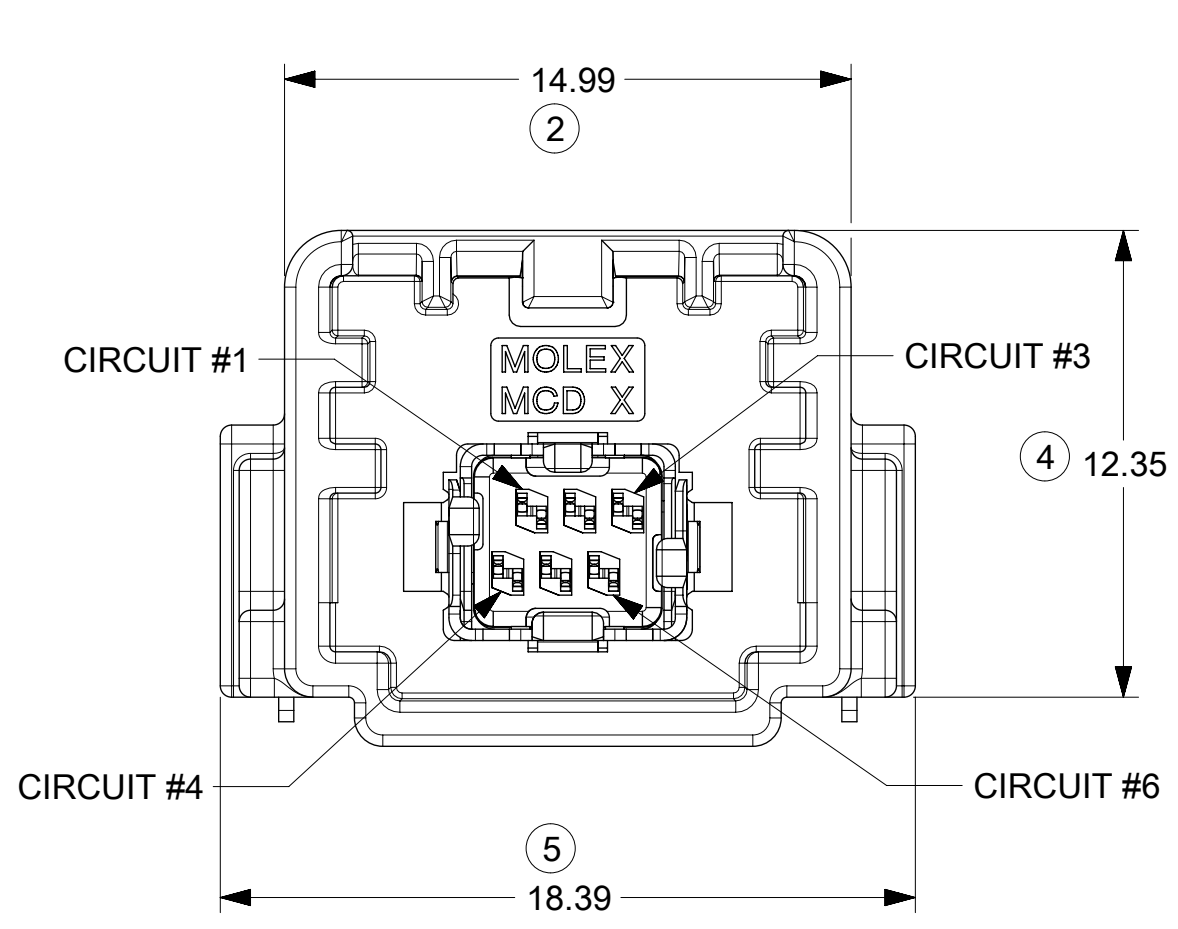
6 CKT HSAUTOLINK II
VERTICAL UNSEALED HEADER ASSEMBLY

PRODUCT CUSTOMER DRAWING

DOCUMENT NUMBER	DOC TYPE	DOC PART	REVISION
SD-160064-1103	PSD	000	B3

DRAFT WHERE APPLICABLE MUST REMAIN WITHIN DIMENSIONS	THIRD ANGLE PROJECTION	DRAWING	SERIES	MATERIAL NUMBER	CUSTOMER	SHEET NUMBER
		D-SIZE	160064	SEE TABLE	GENERAL MARKET	2 OF 5

SHEET DESCRIPTION
CONNECTOR & PCB INTERFACE

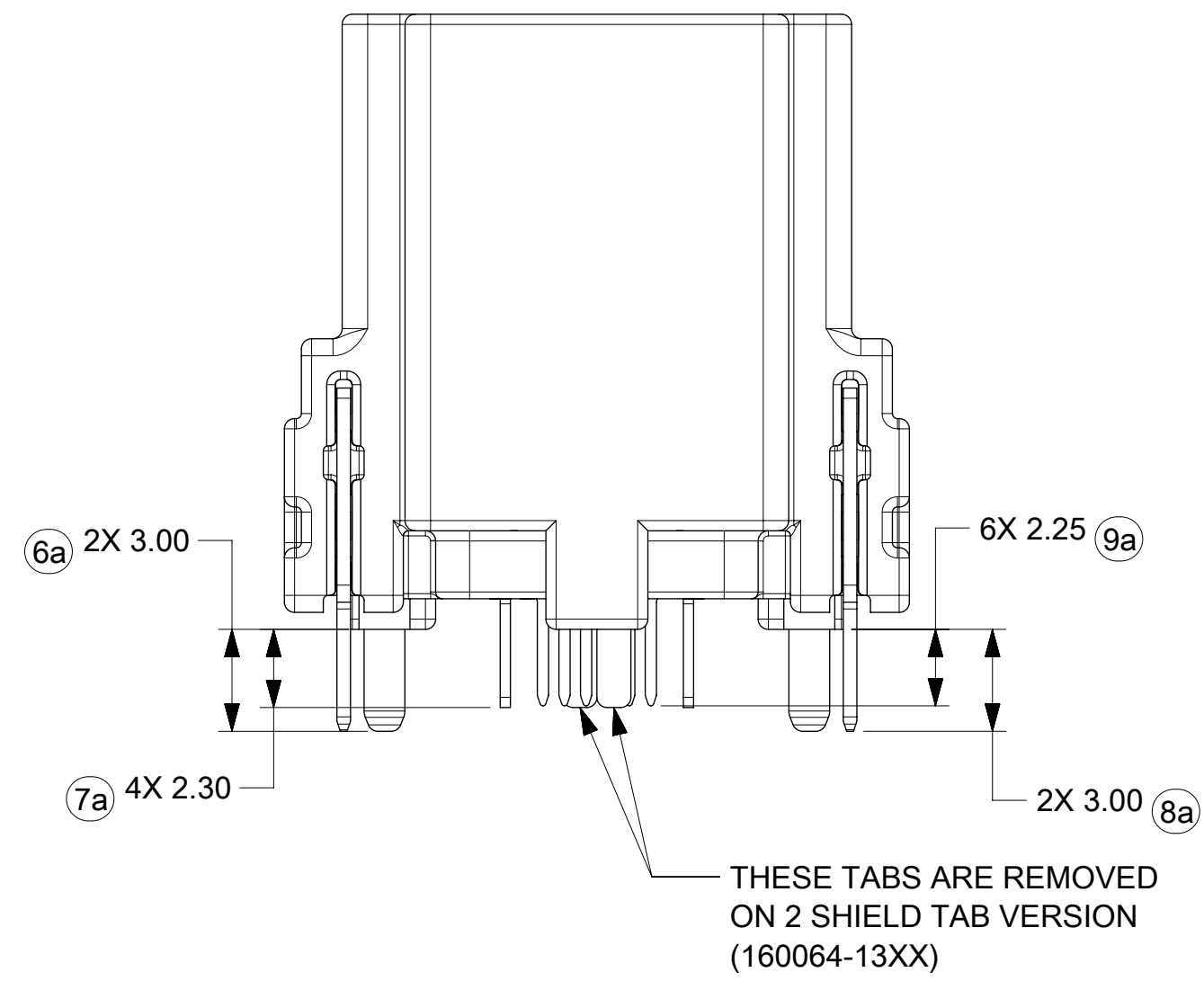


MATING HARNESS CONNECTOR KEEP OUT REGION

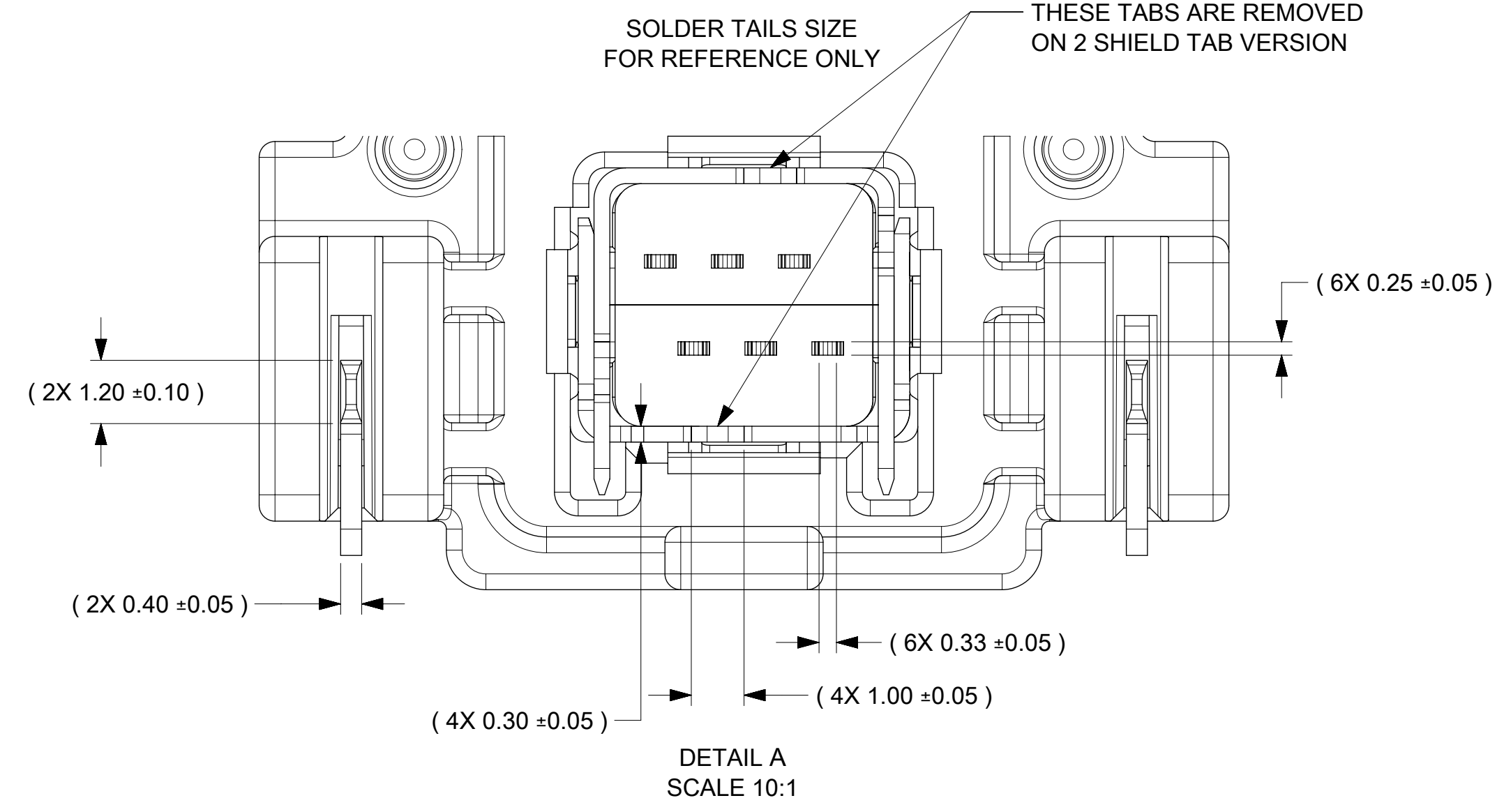
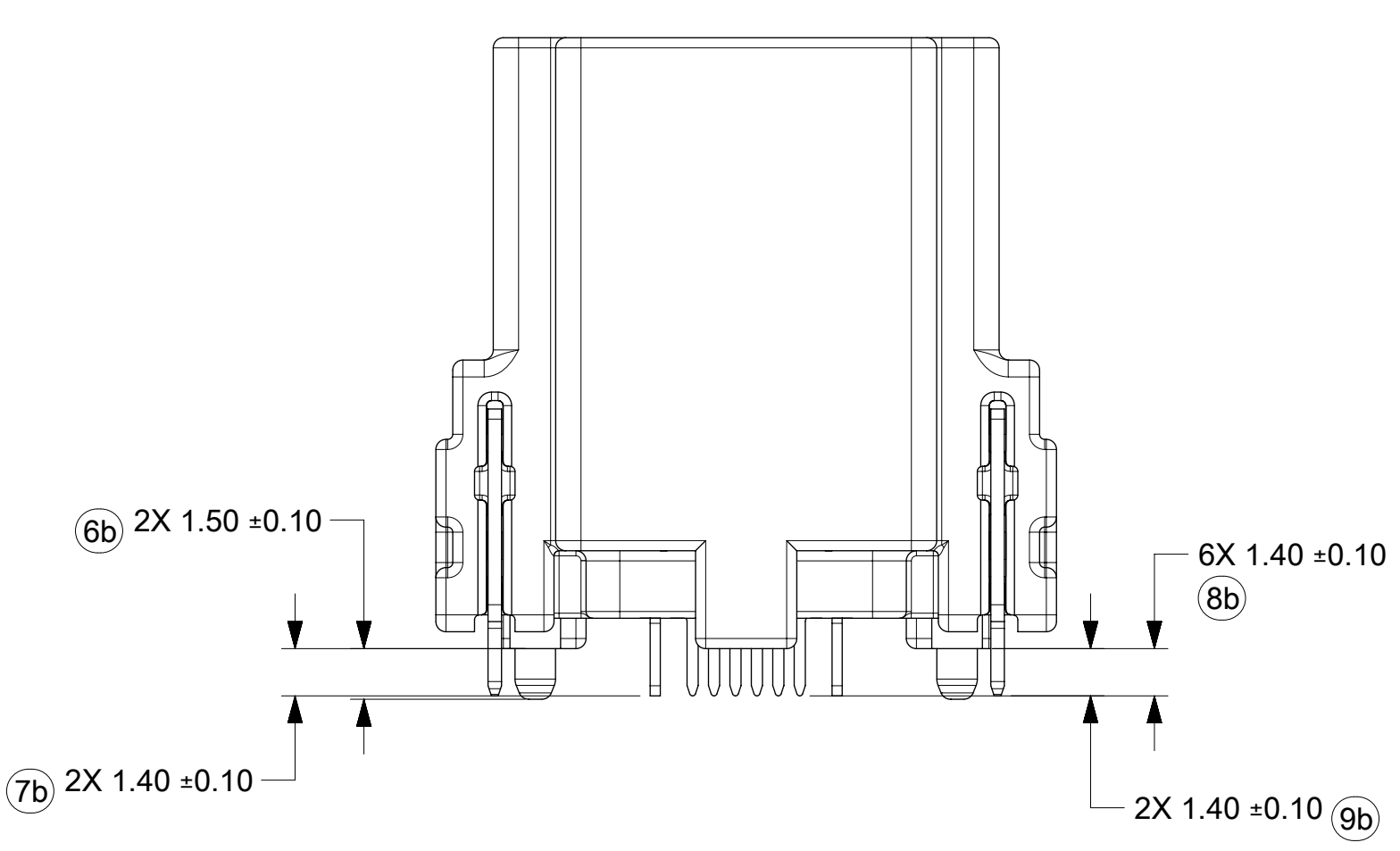
IF HEADER IS RECESSED INTO A POCKET, THESE DIMENSIONS REPRESENT THE MINIMUM CLEARANCE REQUIRED FOR THE MATING CONNECTOR SHOULD.

SECTION Y-Y
SCALE 2:1

STANDARD SOLDER TAIL LENGTH
(PART NUMBERS: 160064-11XX, 160064-13XX)



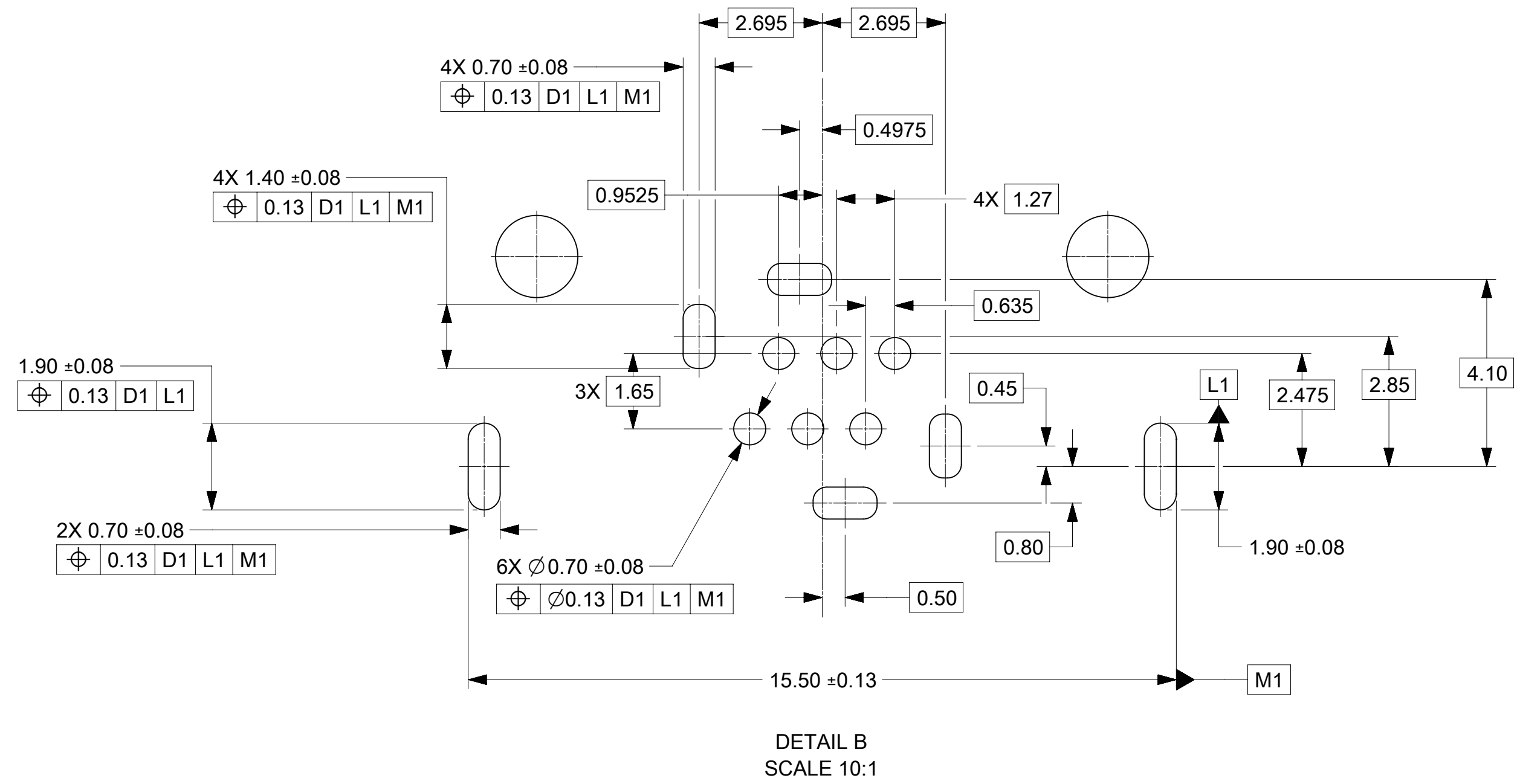
SHORT SOLDER TAIL LENGTH
(PART NUMBERS: 160064-14XX)



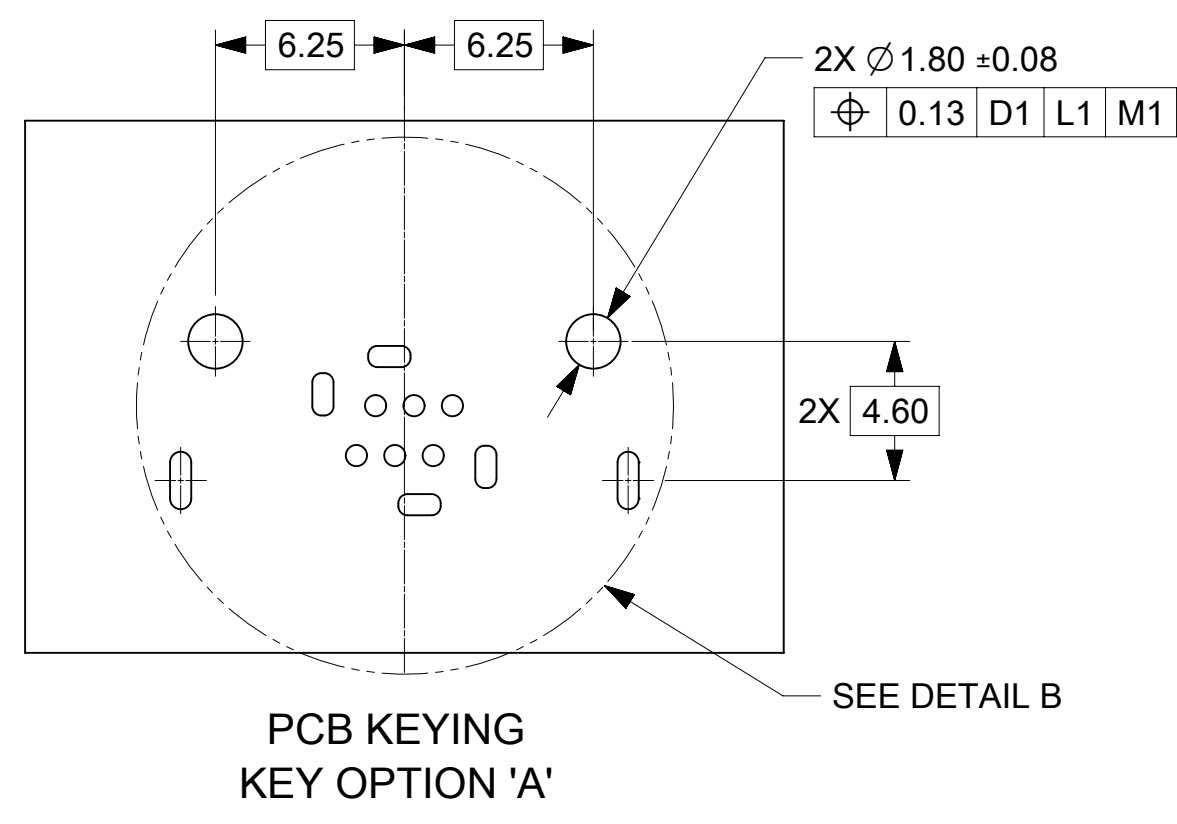
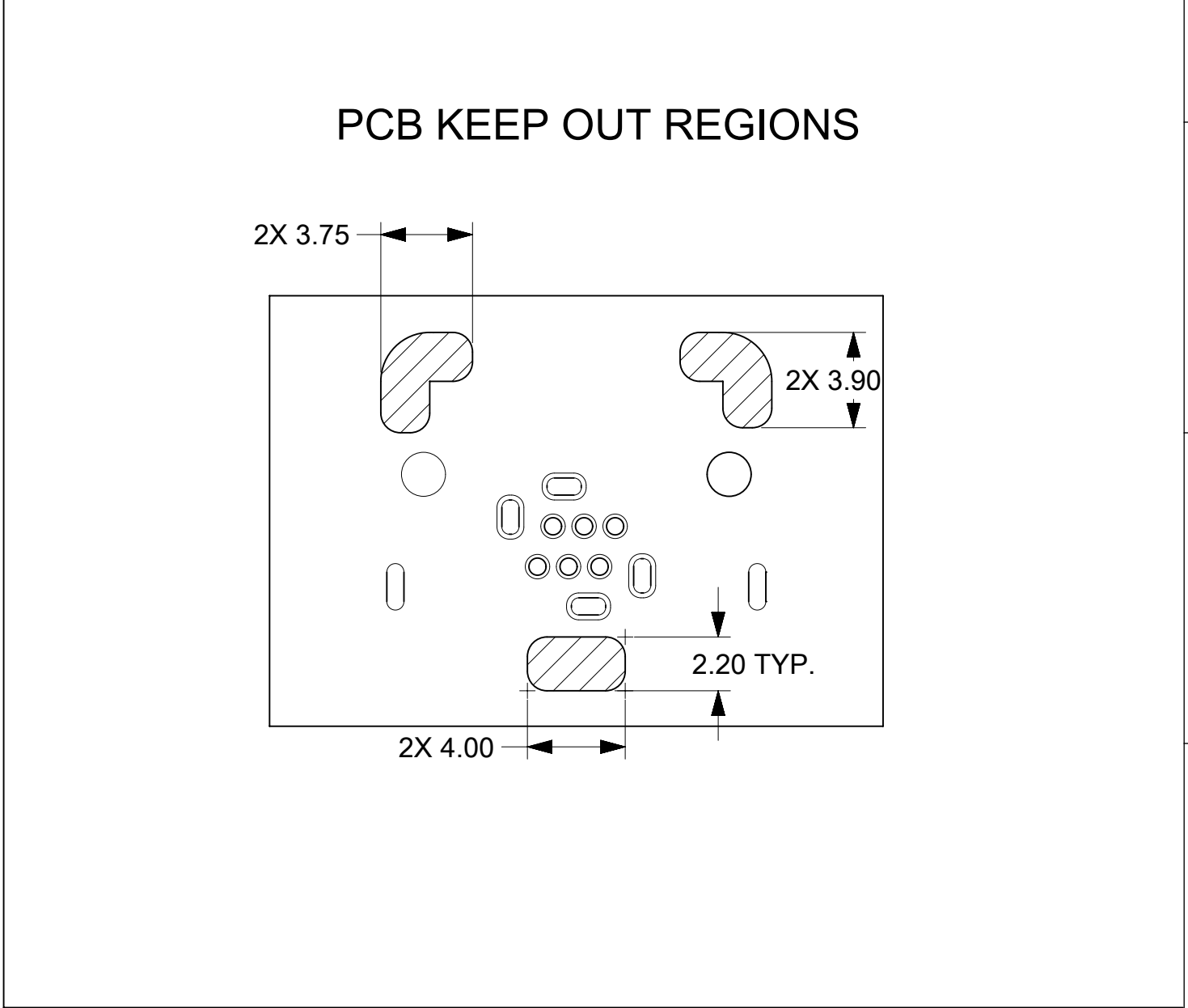
THIS DRAWING CONTAINS INFORMATION THAT IS PROPRIETARY TO MOLEX ELECTRONIC TECHNOLOGIES, LLC AND SHOULD NOT BE USED WITHOUT WRITTEN PERMISSION

DIMENSION UNITS mm	SCALE 5:1	CURRENT REV DESC: OBSOLETE PART NUMBERS AS PER PCN 509458	molex		
GENERAL TOLERANCES (UNLESS SPECIFIED)					
ANGULAR TOL ± 1.0°	4 PLACES ±	EC NO: 659363	PRODUCT CUSTOMER DRAWING		
3 PLACES ±	2 PLACES ± 0.13	DRWN: RPRABHUM 2021/03/01	DOCUMENT NUMBER	DOC TYPE	DOC PART
2 PLACES ±	1 PLACE ± 0.25	CHK'D: GGA 2021/04/06	SD-160064-1103	PSD	000
0 PLACES ±		APPR: GGA 2021/04/06			
DRAFT WHERE APPLICABLE MUST REMAIN WITHIN DIMENSIONS	THIRD ANGLE PROJECTION	INITIAL REVISION: DRWN: DGILKEY 2016/05/23 APPR: CEHAYNES 2016/10/10	MATERIAL NUMBER	CUSTOMER	SHEET NUMBER
		DRAWING D-SIZE	SERIES 160064	SEE TABLE	GENERAL MARKET
					3 OF 5

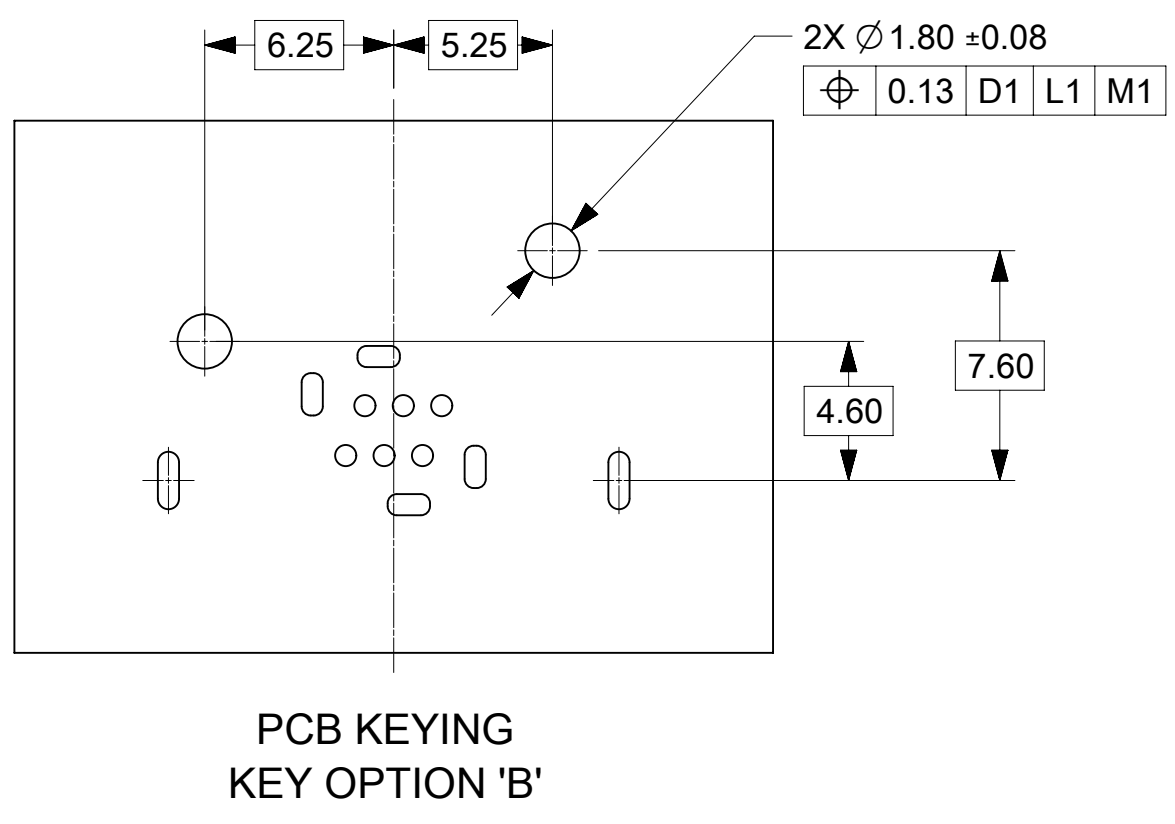
SHEET DESCRIPTION
RECOMMENDED PCB LAYOUT - STANDARD



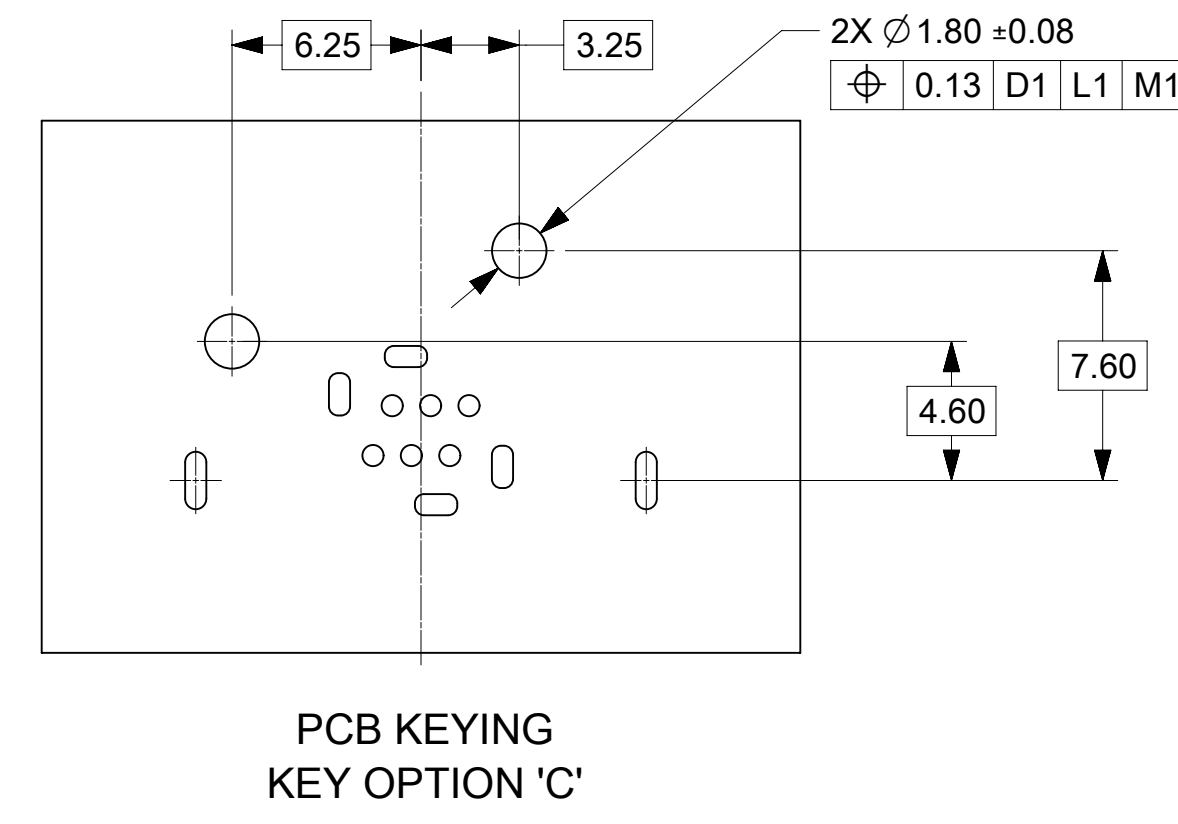
DETAIL B
SCALE 10:1



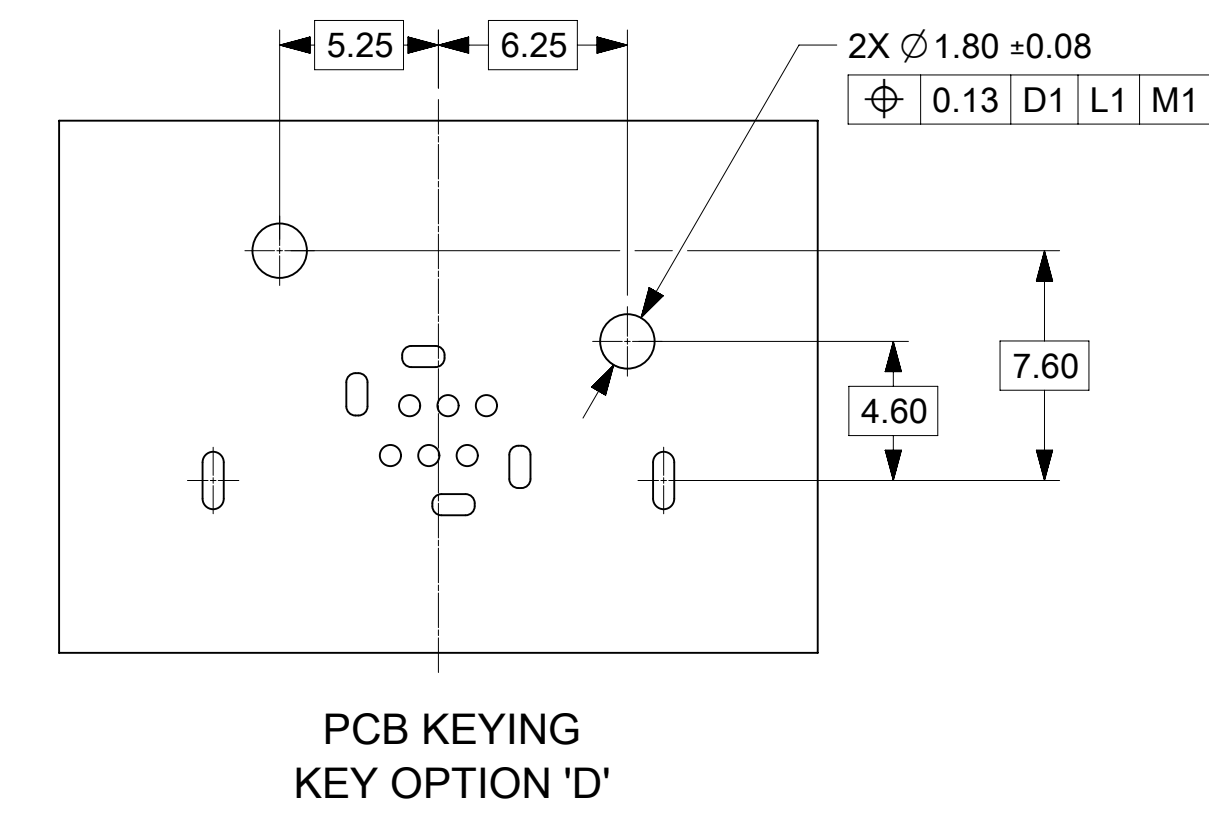
PCB KEYING
KEY OPTION 'A'



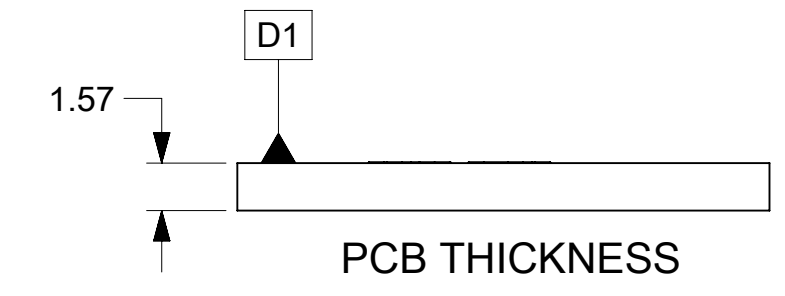
PCB KEYING
KEY OPTION 'B'



PCB KEYING
KEY OPTION 'C'



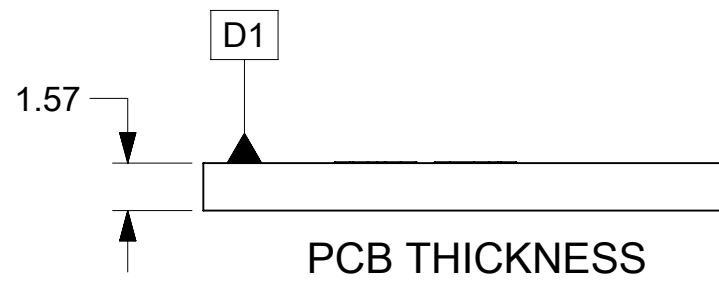
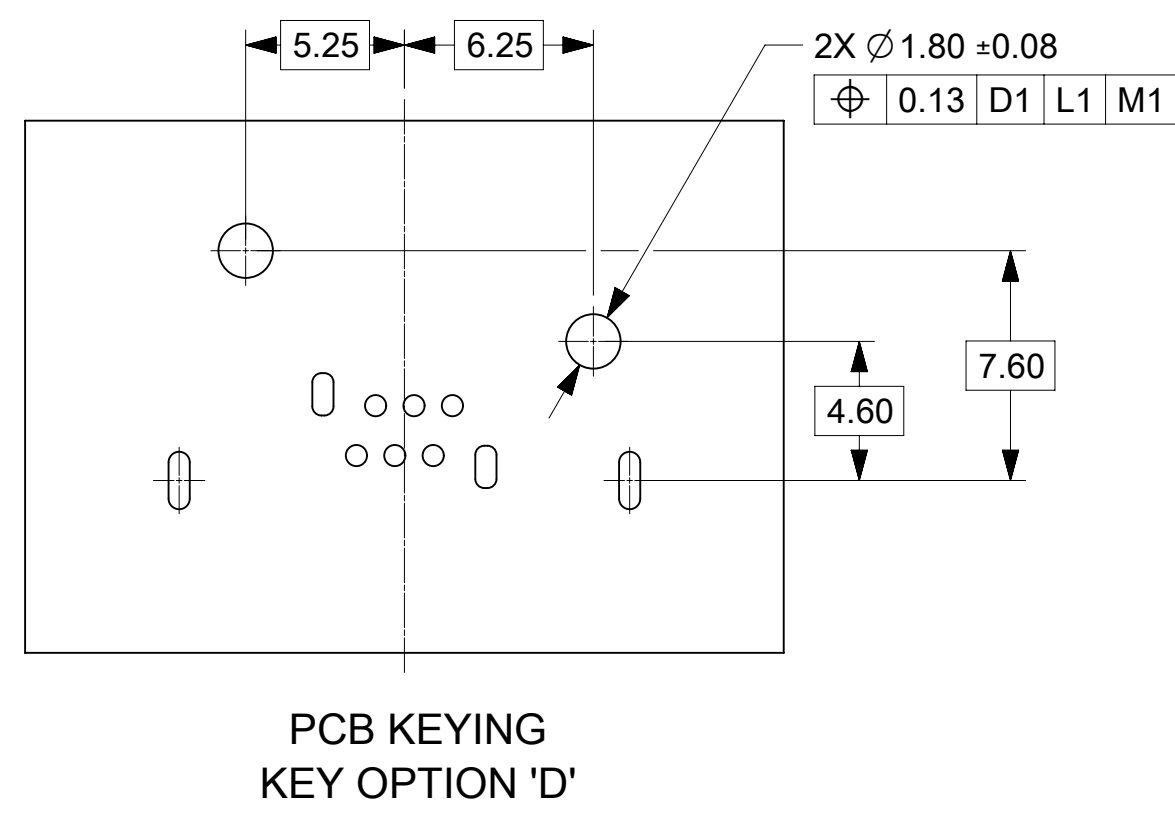
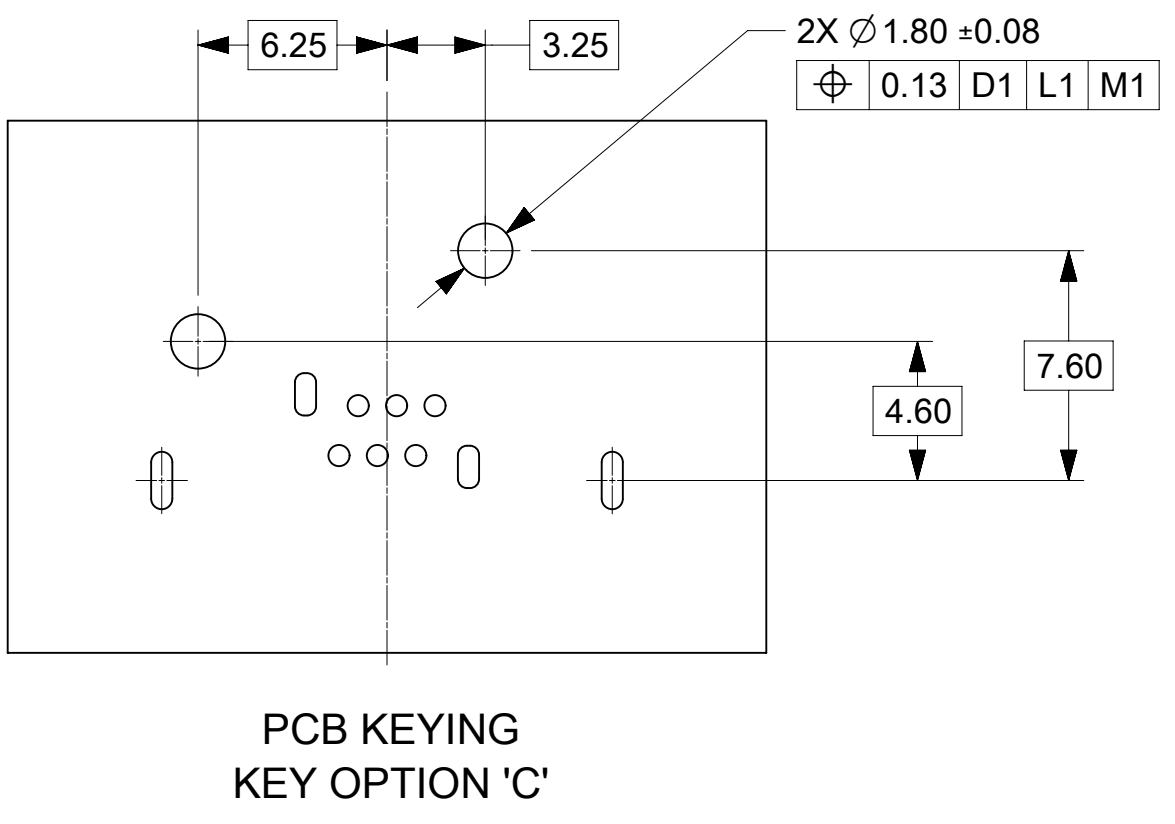
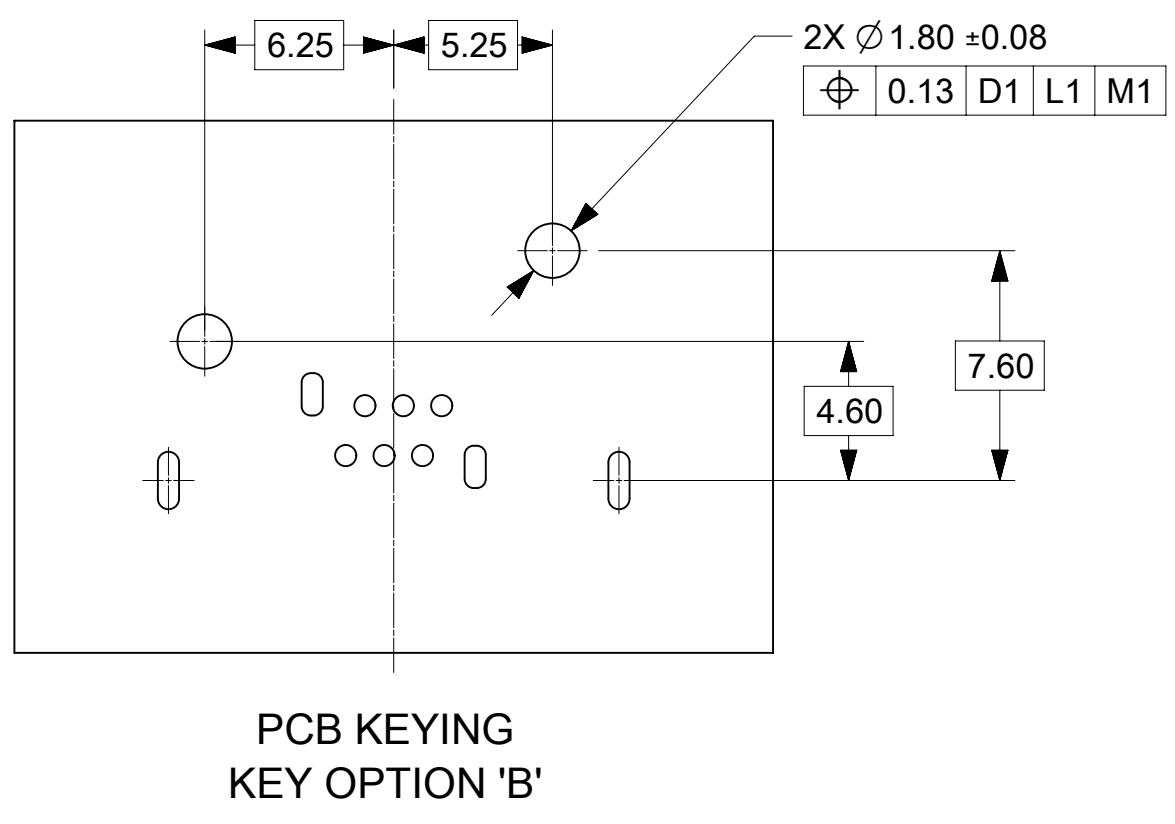
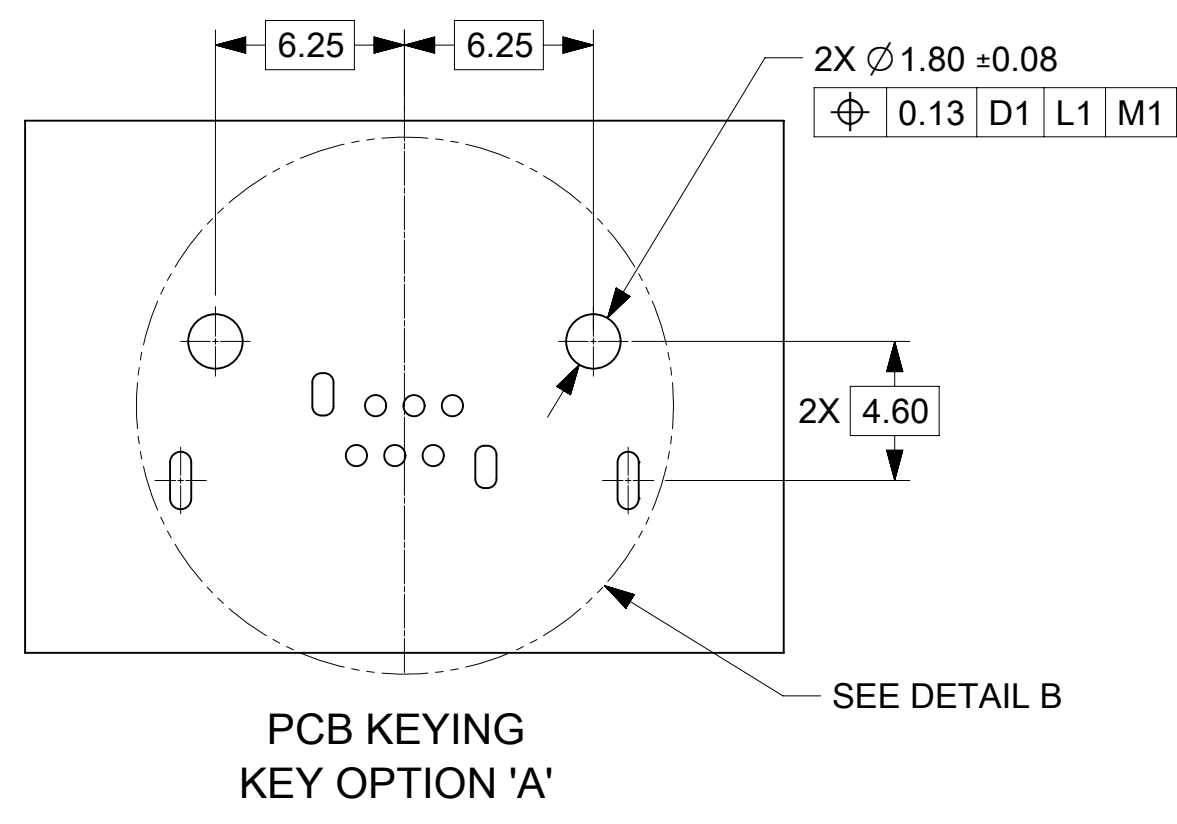
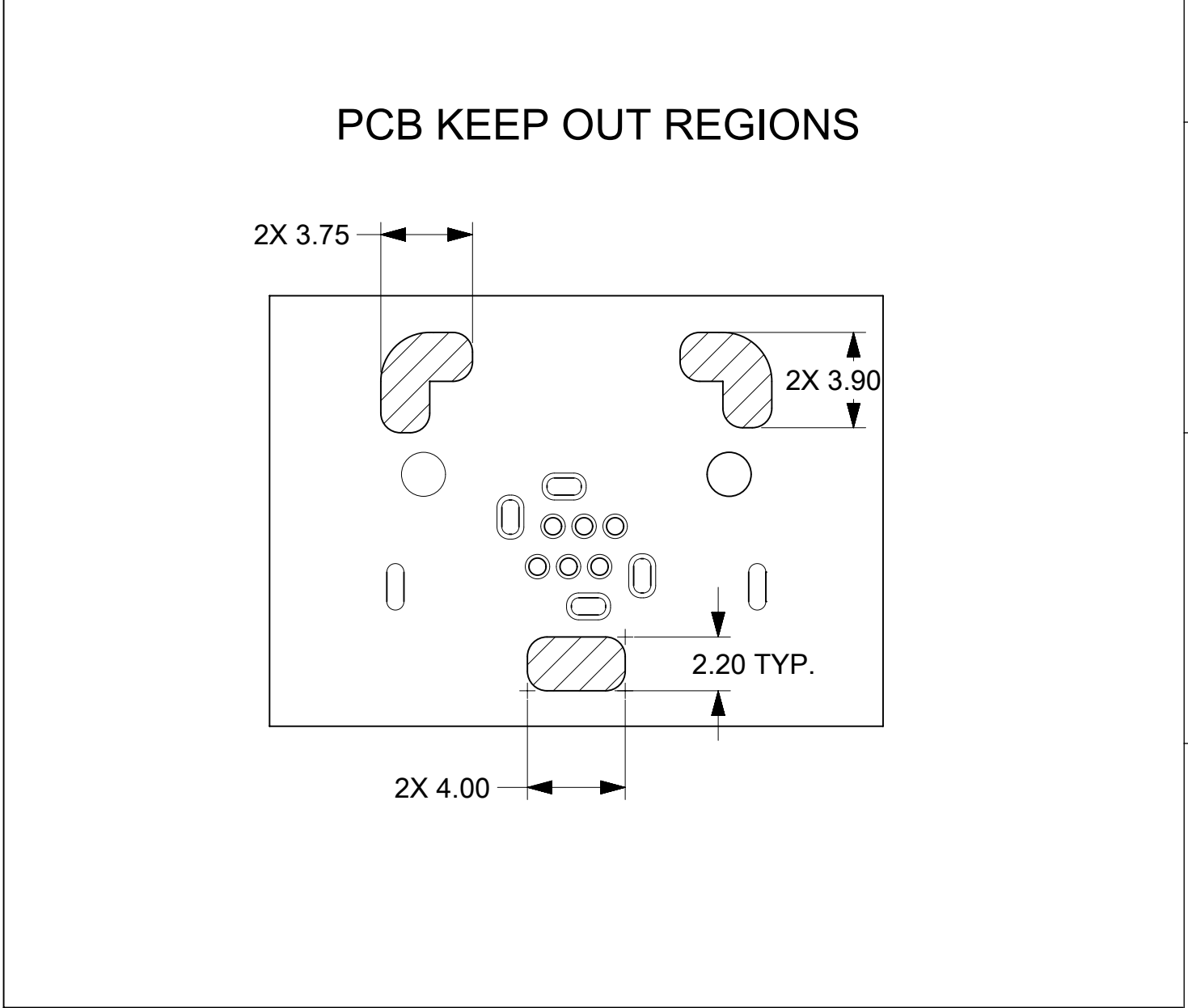
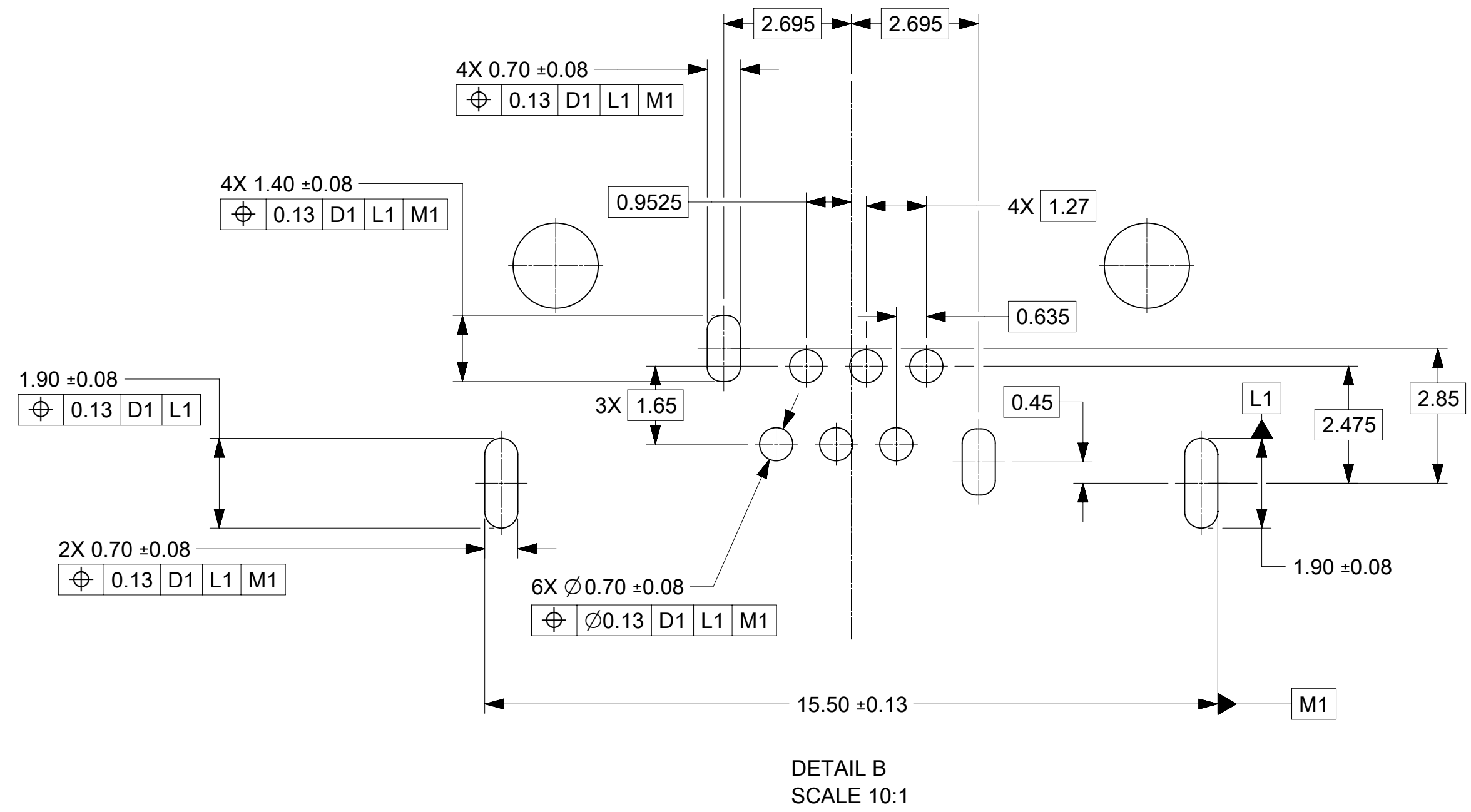
PCB KEYING
KEY OPTION 'D'



PCB THICKNESS

THIS DRAWING CONTAINS INFORMATION THAT IS PROPRIETARY TO MOLEX ELECTRONIC TECHNOLOGIES, LLC AND SHOULD NOT BE USED WITHOUT WRITTEN PERMISSION																																																					
DIMENSION UNITS	SCALE	CURRENT REV DESC: OBSOLETE PART NUMBERS AS PER PCN 509458																																																			
mm	10:1	<table border="1"> <tr> <td colspan="4" style="text-align: center;">molex</td> </tr> <tr> <td colspan="4" style="text-align: center;">6 CKT HSAUTOLINK II VERTICAL UNSEALED HEADER ASSEMBLY</td> </tr> <tr> <td colspan="4" style="text-align: center;">PRODUCT CUSTOMER DRAWING</td> </tr> <tr> <td>DOCUMENT NUMBER</td> <td>DOC TYPE</td> <td>DOC PART</td> <td>REVISION</td> </tr> <tr> <td style="text-align: center;">SD-160064-1103</td> <td style="text-align: center;">PSD</td> <td style="text-align: center;">000</td> <td style="text-align: center;">B3</td> </tr> <tr> <td colspan="2">INITIAL REVISION:</td> <td colspan="2">MATERIAL NUMBER</td> <td colspan="2">CUSTOMER</td> <td colspan="2">SHEET NUMBER</td> </tr> <tr> <td colspan="2">DRWN: DGILKEY APPR: CEHAYNES</td> <td colspan="2">SERIES</td> <td colspan="2">GENERAL MARKET</td> <td colspan="2">4 OF 5</td> </tr> <tr> <td colspan="2">2016/05/23 2016/10/10</td> <td colspan="2">160064</td> <td colspan="2">SEE TABLE</td> <td colspan="2"></td> </tr> </table>								molex				6 CKT HSAUTOLINK II VERTICAL UNSEALED HEADER ASSEMBLY				PRODUCT CUSTOMER DRAWING				DOCUMENT NUMBER	DOC TYPE	DOC PART	REVISION	SD-160064-1103	PSD	000	B3	INITIAL REVISION:		MATERIAL NUMBER		CUSTOMER		SHEET NUMBER		DRWN: DGILKEY APPR: CEHAYNES		SERIES		GENERAL MARKET		4 OF 5		2016/05/23 2016/10/10		160064		SEE TABLE			
molex																																																					
6 CKT HSAUTOLINK II VERTICAL UNSEALED HEADER ASSEMBLY																																																					
PRODUCT CUSTOMER DRAWING																																																					
DOCUMENT NUMBER	DOC TYPE									DOC PART	REVISION																																										
SD-160064-1103	PSD	000	B3																																																		
INITIAL REVISION:		MATERIAL NUMBER		CUSTOMER		SHEET NUMBER																																															
DRWN: DGILKEY APPR: CEHAYNES		SERIES		GENERAL MARKET		4 OF 5																																															
2016/05/23 2016/10/10		160064		SEE TABLE																																																	
GENERAL TOLERANCES (UNLESS SPECIFIED)																																																					
ANGULAR TOL	±	1.0°																																																			
4 PLACES	±	EC NO: 659363																																																			
3 PLACES	±	DRWN: RPRABHUM 2021/03/01																																																			
2 PLACES	±	CHK'D: GGA 2021/04/06																																																			
1 PLACE	±	APPR: GGA 2021/04/06																																																			
0 PLACES	±	DRWN: DGILKEY 2016/05/23																																																			
DRAFT WHERE APPLICABLE MUST REMAIN WITHIN DIMENSIONS																																																					
THIRD ANGLE PROJECTION		DRAWING		SERIES		MATERIAL NUMBER		CUSTOMER																																													
		D-SIZE		160064		SEE TABLE		GENERAL MARKET																																													

SHEET DESCRIPTION
RECOMMENDED PCB LAYOUT - 2 SHIELD TAB VERSION



THIS DRAWING CONTAINS INFORMATION THAT IS PROPRIETARY TO MOLEX ELECTRONIC TECHNOLOGIES, LLC AND SHOULD NOT BE USED WITHOUT WRITTEN PERMISSION									
DIMENSION UNITS	SCALE	CURRENT REV DESC: OBSOLETE PART NUMBERS AS PER PCN 509458							
mm	10:1	<p>molex</p> <p>6 CKT HSAUTOLINK II VERTICAL UNSEALED HEADER ASSEMBLY</p> <p>PRODUCT CUSTOMER DRAWING</p>							
GENERAL TOLERANCES (UNLESS SPECIFIED)									
ANGULAR TOL	± 1.0°								
4 PLACES	±								
3 PLACES	±								
2 PLACES	± 0.13	EC NO: 659363	2021/03/01	DOCUMENT NUMBER					
1 PLACE	± 0.25	DRWN: RPRABHUM	2021/04/06	SD-160064-1103		DOC TYPE	DOC PART	REVISION	
0 PLACES	±	APPR: GGA	2021/04/06	INITIAL REVISION:		PSD		000	B3
DRAFT WHERE APPLICABLE MUST REMAIN WITHIN DIMENSIONS		DRWN: DGILKEY	2016/05/23	SERIES		MATERIAL NUMBER		CUSTOMER	
THIRD ANGLE PROJECTION		APPR: CEHAYNES	2016/10/10	D-SIZE		160064		GENERAL MARKET	
		DRAWING		SERIES		MATERIAL NUMBER		SHEET NUMBER	
		DRAFT		160064		SEE TABLE		5 OF 5	