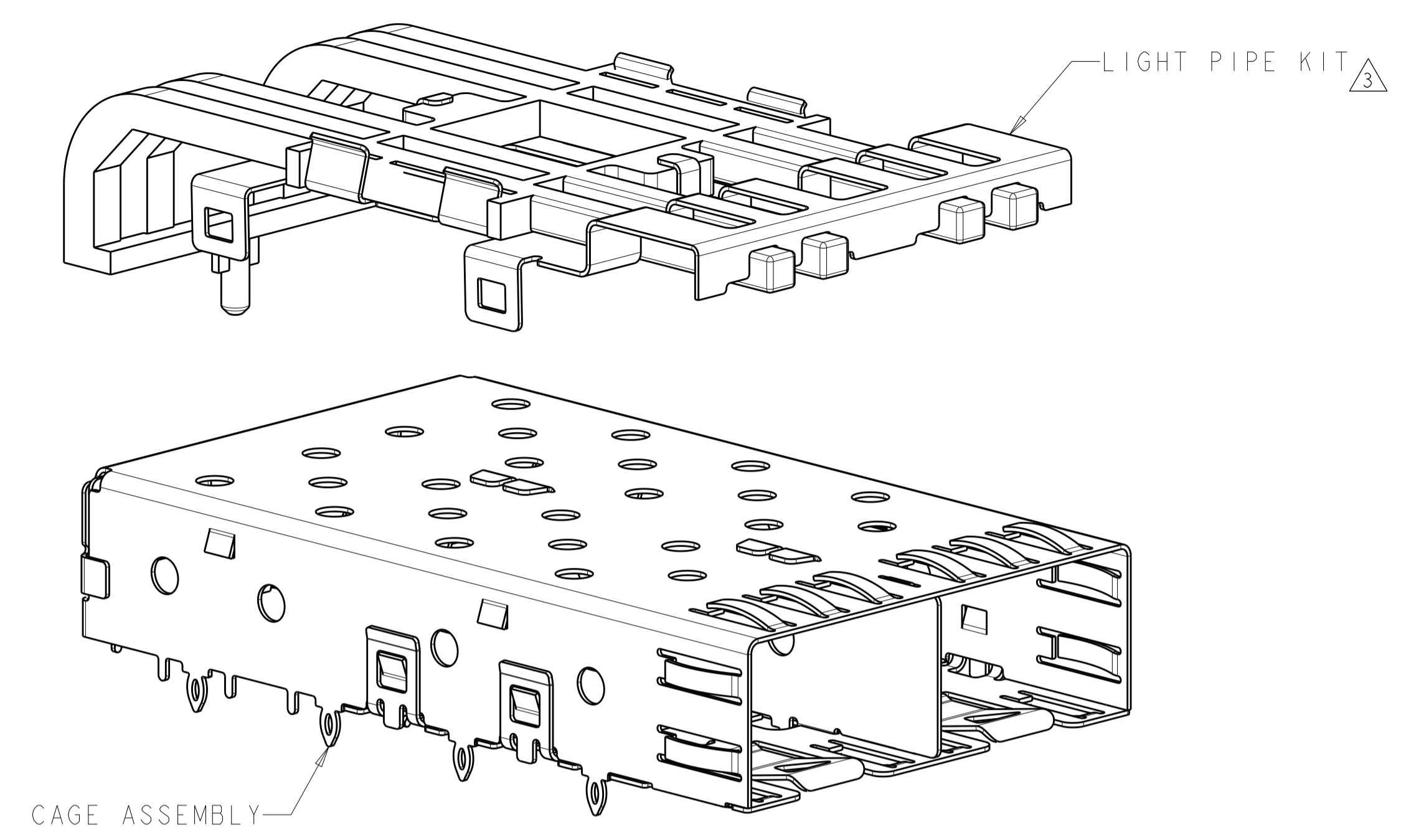
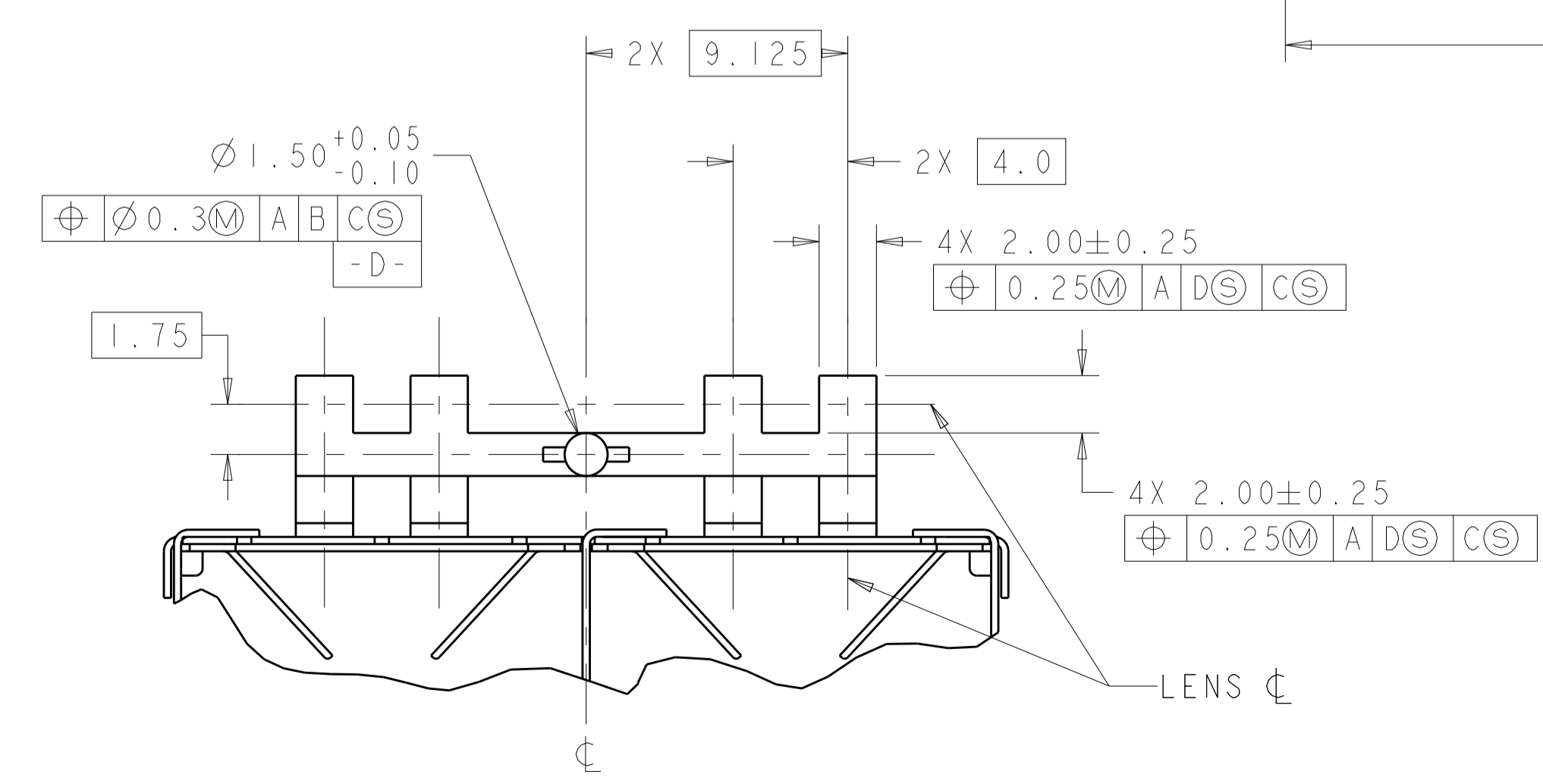
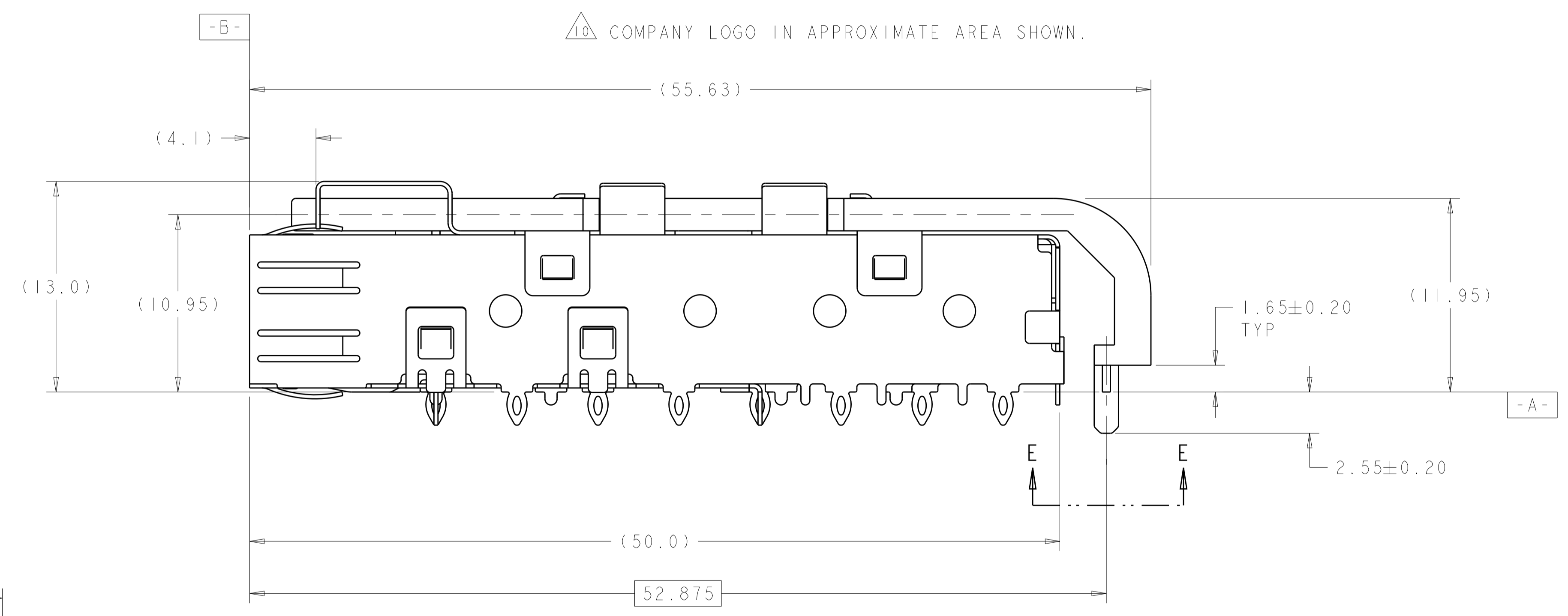
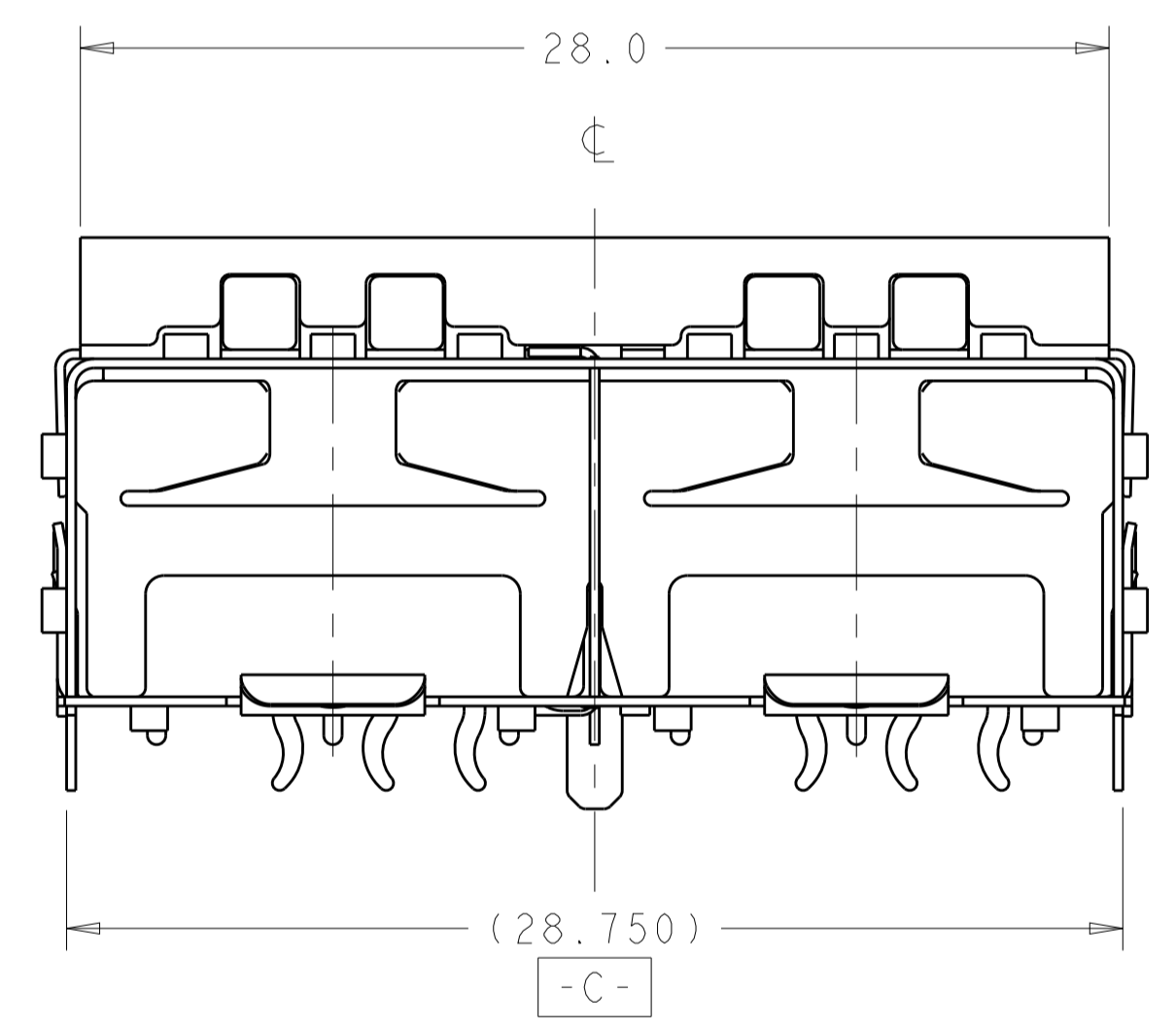


LOC	DIST	REVISIONS					
GP	00	P	LTN	DESCRIPTION	DATE	DWN	APVD
		E1		REVISED PER ECO-11-004835	18APR2011	RK	HMR
		F		REVISED PER ECO-14-000886	20FEB2014	JW	SH
		F1		REVISED PER ECO-14-010419	11JUL2014	JW	SH
		G		REVISED PER ECO-15-013594	22SEP2015	JW	SH



- △ PADS AND VIAS CHASSIS GROUND.
- △ DATUM AND BASIC DIMENSIONS ESTABLISHED BY CUSTOMER.
- △ LIGHT PIPE KIT WHICH IS SEPARATE FROM CAGE ASSEMBLY. KIT TO BE ATTACHED AFTER SEATING OF 1761014-1&3 ON PC BOARD.
- △ DATE CODE AND PART NUMBER IN APPROXIMATE AREA SHOWN LABEL ON CAGE ASSEMBLY WILL HAVE PART NUMBER 1761014-1 OR -3.
- 5. REFERENCE STYLE 1 ON APPLICATION SPECIFICATION 114-13165 FOR ADDITIONAL INFORMATION ON CAGE ASSEMBLIES WITH LIGHT PIPES.
- △ REFERENCE APPLICATION SPEC 114-13120, HOLE A, FOR RECOMMENDED DRILL HOLE DIAMETER AND PLATING THICKNESSES.
- △ REFERENCE APPLICATION SPEC 114-13120, HOLE B, FOR RECOMMENDED DRILL HOLE DIAMETER AND PLATING THICKNESSES.
- △ PATTERN REPEATS FOR EACH PORT. SPACING BETWEEN PORTS IS 14.25mm.
- △ MINIMUM PC BOARD THICKNESS = 1.50mm.
- △ COMPANY LOGO IN APPROXIMATE AREA SHOWN.

1761007-1&2
SCALE 4:1



VIEW E-E
ROTATED 90° COUNTERCLOCKWISE

SUPERSEDED BY:
1761007-2

1761011-3	1761014-3	1X2 ASSEMBLY	1761007-2
1761011-1	1761014-1	1X2 ASSEMBLY	1761007-1
LIGHT PIPE KIT	CAGE ASSEMBLY	DESCRIPTION	PART NO

THIS DRAWING IS A CONTROLLED DOCUMENT.

DIMENSIONS: mm

TOLERANCES UNLESS OTHERWISE SPECIFIED:

0 PLC	±0.10
1 PLC	±0.10
2 PLC	±0.10
3 PLC	±0.10
4 PLC	±0.10
ANGLES	±0.10

MATERIAL: . . . FINISH: . . .

Customer Drawing

DWN: JIM VAN SCHOOT 16JAN2004
 CHK: M. PHILLIPS 16JAN2004
 APVD: M. PHILLIPS 16JAN2004

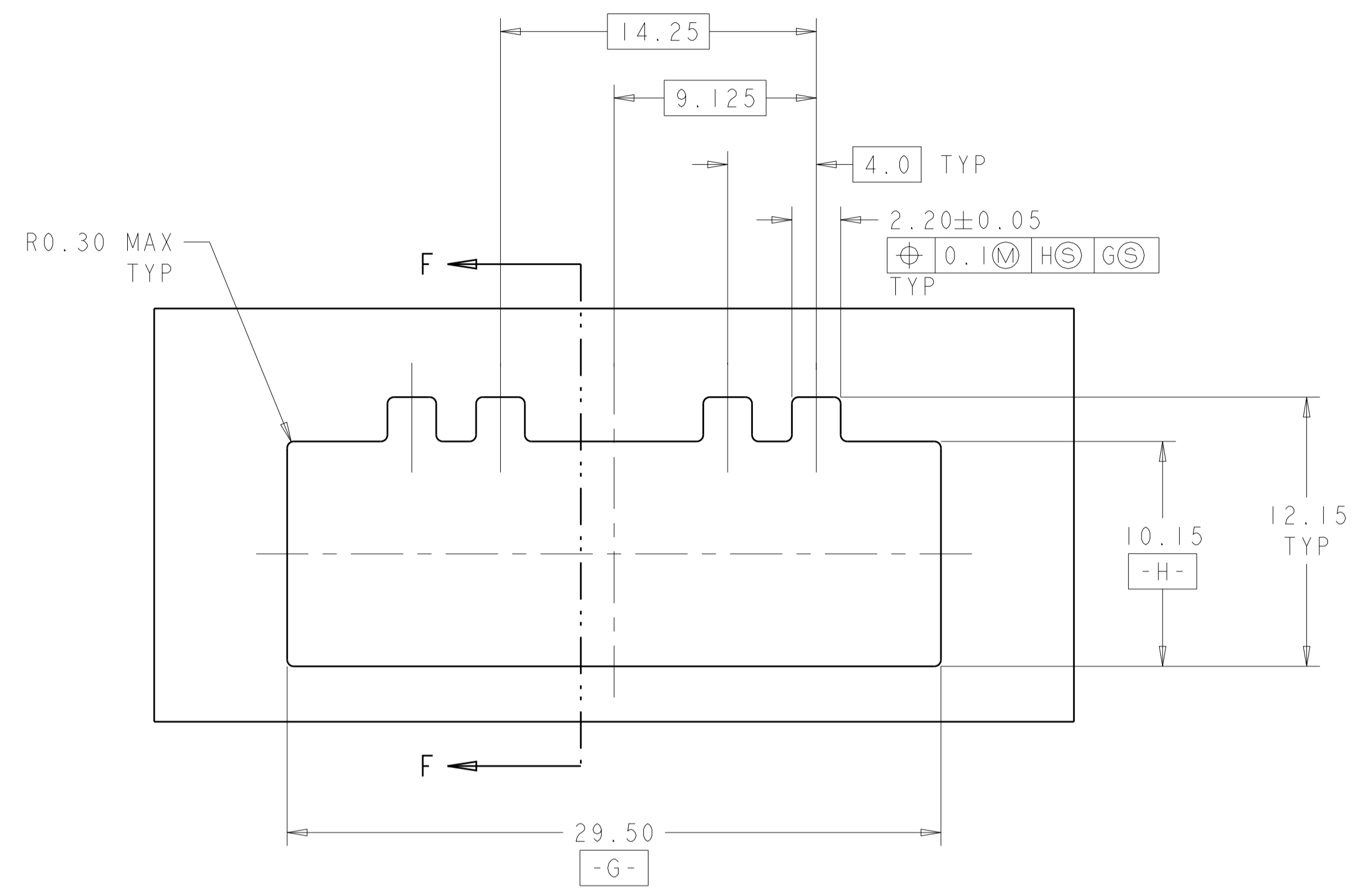
NAME: SFP
 PRODUCT SPEC: 108-1950
 APPLICATION SPEC: 114-13120

SIZE: A1
 CAGE CODE: 100779
 DRAWING NO: 1761007

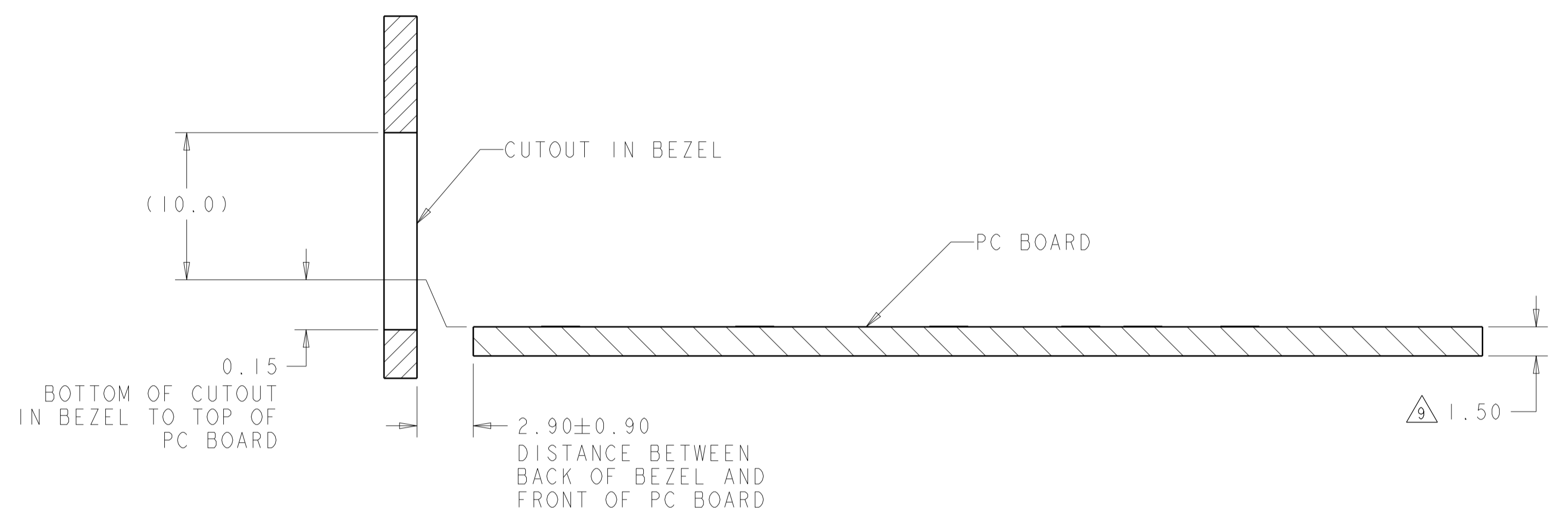
RESTRICTED TO: . . .

SCALE: 5:1 SHEET: 1 OF 3 REV: G

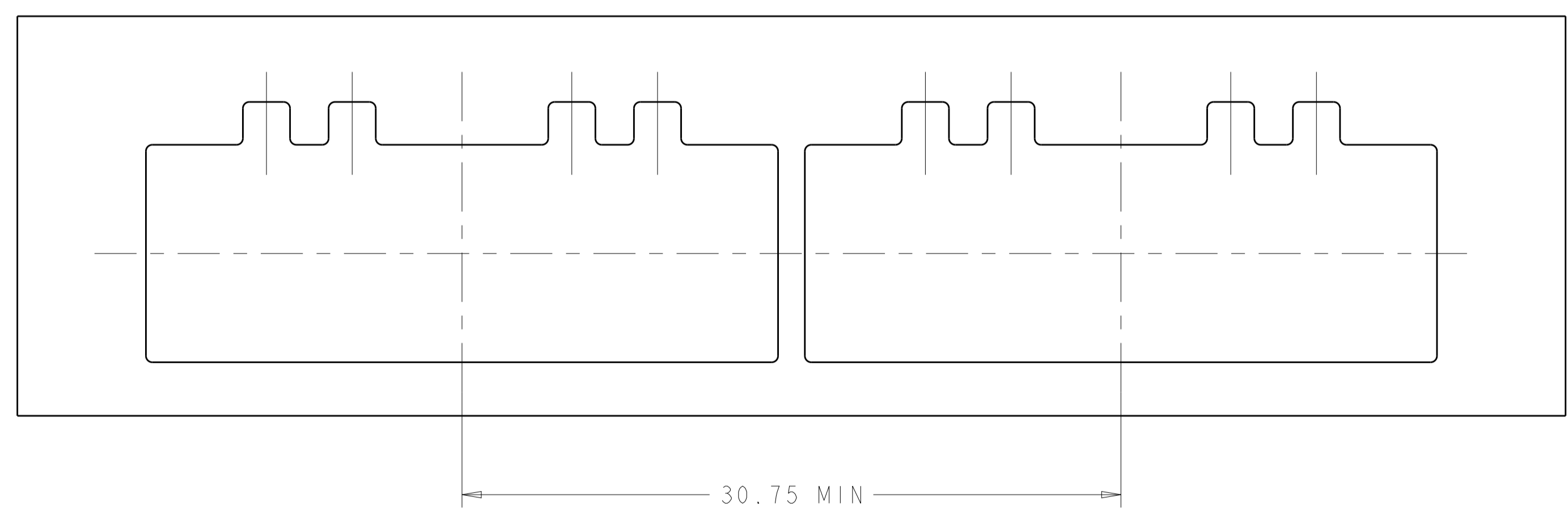
LOC	DIST	REVISIONS			
P	LTN	DESCRIPTION	DATE	DMN	APVD
GP	00	SEE SHEET 1	-	-	-



RECOMMENDED BEZEL CUTOUT

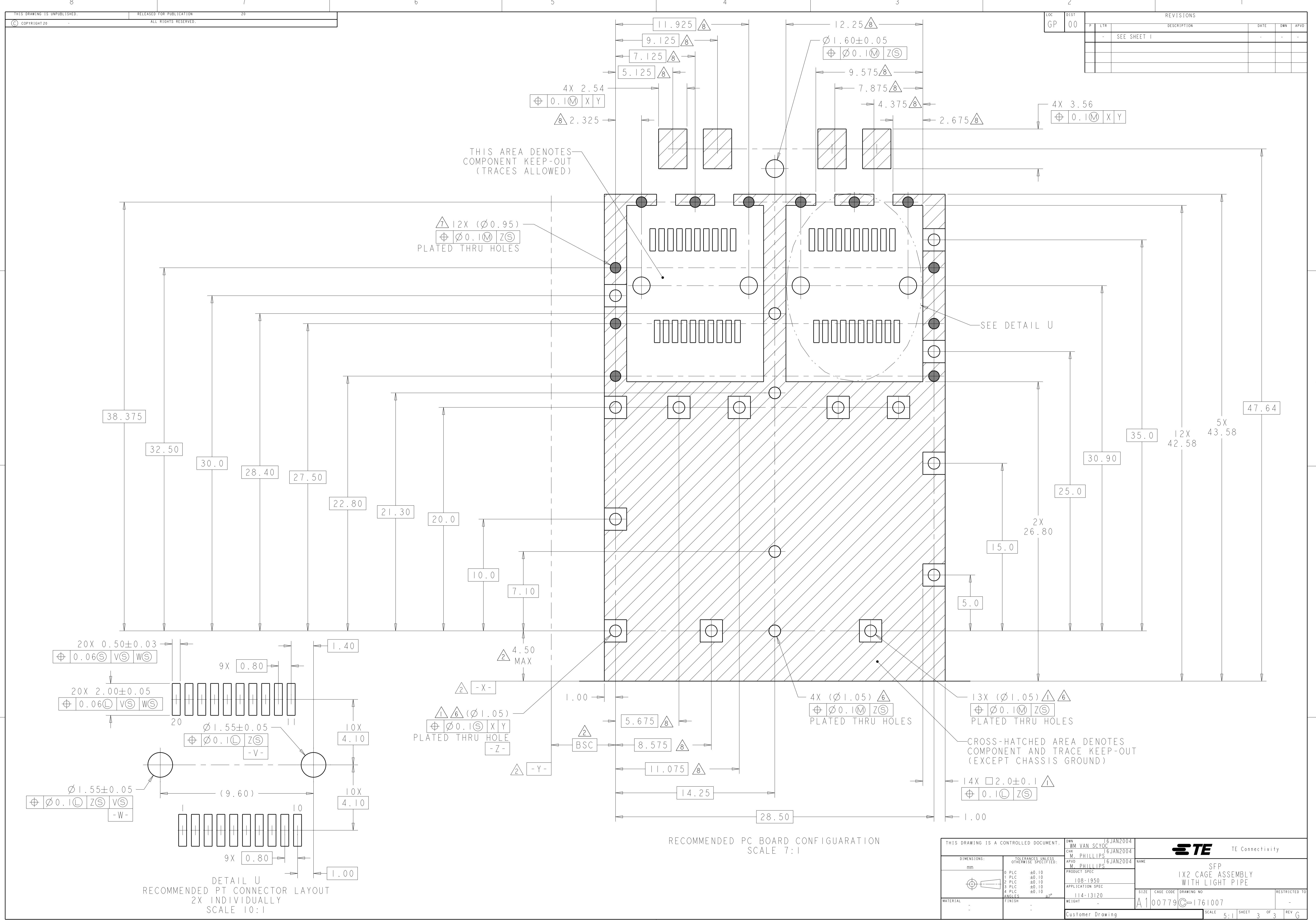


SECTION F-F
RECOMMENDED BEZEL CONFIGURATION



THIS DRAWING IS A CONTROLLED DOCUMENT.		DMN: MM VAN SCOOC 16 JAN 2004	 TE Connectivity
DIMENSIONS: mm		CHK: M. PHILLIPS 16 JAN 2004	
TOLERANCES UNLESS OTHERWISE SPECIFIED:		APVD: M. PHILLIPS 16 JAN 2004	
0 PLC ±0.10 1 PLC ±0.10 2 PLC ±0.10 3 PLC ±0.10 4 PLC ±0.10 ANGLES ±0.10 FINISH #2*		NAME: SFP PRODUCT SPEC: 108-1950 APPLICATION SPEC: 114-13120 WEIGHT: - Customer Drawing	
MATERIAL: -		SIZE: A100779	CAGE CODE: C=1761007 DRAWING NO: 1761007 RESTRICTED TO: - SCALE: 5:1 SHEET 2 OF 3 REV G

LOC		DIST		REVISIONS			
GP	00	P	LTN	DESCRIPTION	DATE	DWN	APVD
				SEE SHEET 1			



THIS DRAWING IS A CONTROLLED DOCUMENT.		DWN: JIM VAN SCOOC 16 JAN 2004	TE Connectivity
DIMENSIONS: mm		CHK: M. PHILLIPS 16 JAN 2004	
TOLERANCES UNLESS OTHERWISE SPECIFIED:		APVD: M. PHILLIPS 16 JAN 2004	NAME: SFP
0 PLC	±0.10	PRODUCT SPEC	1X2 CAGE ASSEMBLY WITH LIGHT PIPE
1 PLC	±0.10	APPLICATION SPEC	SIZE: CAGE CODE DRAWING NO
2 PLC	±0.10	108-1950	RESTRICTED TO
3 PLC	±0.10	114-13120	A100779C=1761007
4 PLC	±0.10	WEIGHT	SCALE: 5:1 SHEET 3 OF 3 REV G
ANGLES	±0.10	Customer Drawing	