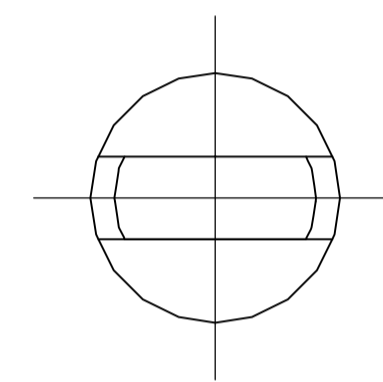
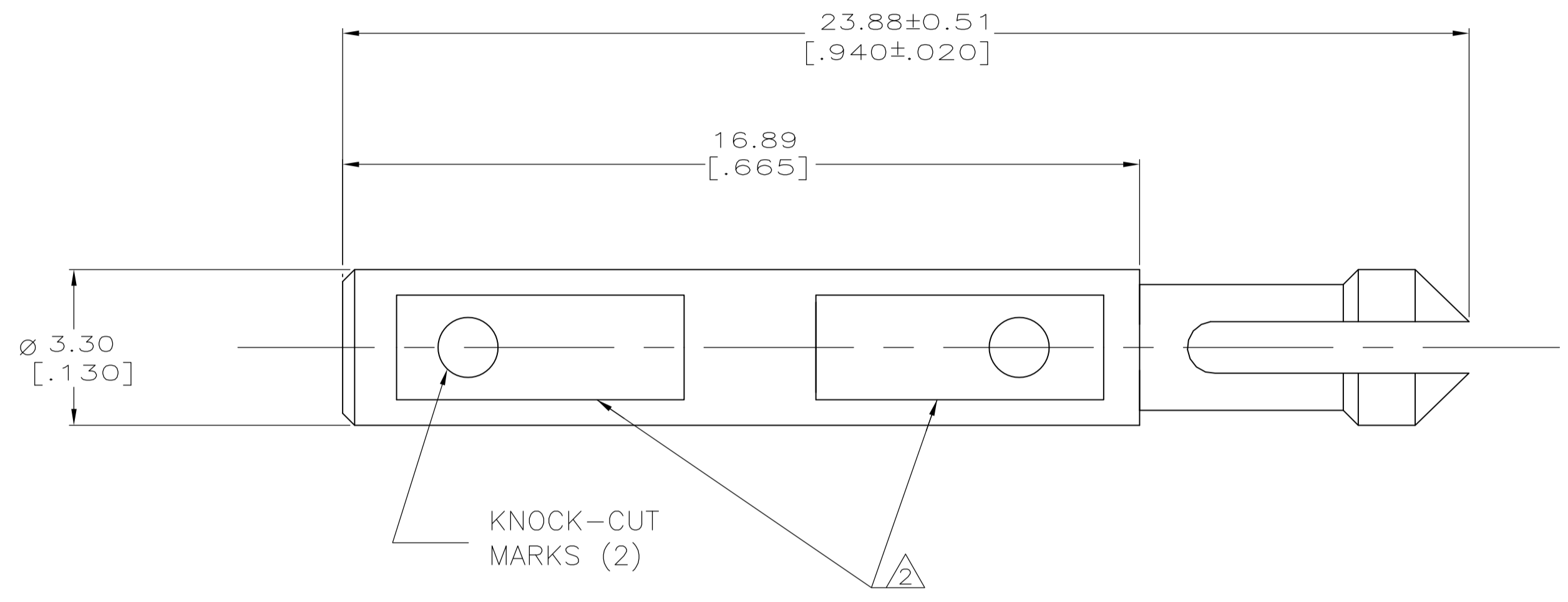
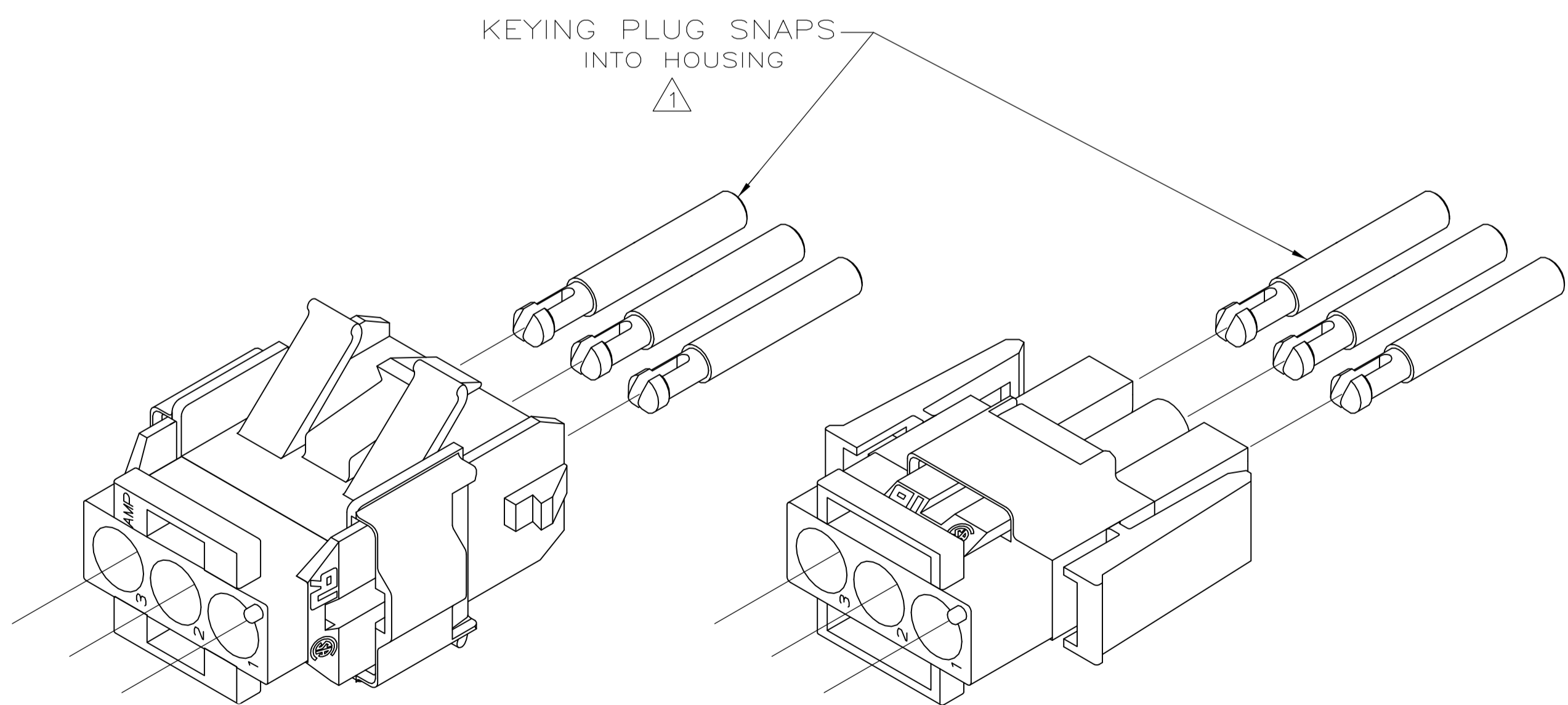


LOC		DIST		REVISIONS			
P	LTR	DESCRIPTION	DATE	DWN	APVD		
CM	53	D	REVISED PER ECR-11-002201	03FEB11	HMR	TM	



- 1 TO BE USED WITH UNIVERSAL MATE-N-LOK™ II PLUGS AND CAPS.
- 2 AMP LOGO EITHER LOCATION.
- 3 DIMENSIONS IN BRACKETS ARE IN INCHES.



APPLICATION DETAIL
 SCALE 2:1

770377-1
 PART NUMBER

THIS DRAWING IS A CONTROLLED DOCUMENT.		DIN K SALMON 6-18-92	Tyco Electronics Corporation Harrisburg, PA 17105-3608	
DIMENSIONS: mm [INCHES]		CHK R SWING 6-18-92	APVD M TRULL 6-24-92	
TOLERANCES UNLESS OTHERWISE SPECIFIED:		NAME: KEYING PLUG, UNIVERSAL MATE-N-LOK™ II		
0. PLC ± -	1. PLC ± -	PRODUCT SPEC		
2. PLC ± -	3. PLC ± 0.13 [0.005]	APPLICATION SPEC		
4. PLC ± -	ANGLES ± -	RESTRICTED TO		
MATERIAL: NYLON, UL94V-0	FINISH: -	WEIGHT: -	SIZE: A1	CAGE CODE: 00779
CUSTOMER DRAWING		SCALE: 10:1	SHEET: 1 OF 1	REV: D