

## CMX602B

### Calling Line Identifier plus Call Waiting CLI and CIDCW

The CMX602B is a CMOS integrated circuit for the reception of physical layer signals used in BT's Calling Line Identification Service (CLIP), Bellcore's Calling Identity Delivery system (CID), the Cable Communications Association's Caller Display Services (CDS) and other similar evolving services. It also meets requirements of Caller Identity with Call Waiting services (CIDCW).

#### Features

- CLI and CIDCW detector with 'zero power' ring or line reversal detector
- V.23/Bell 202 FSK demodulator with data retiming facility
- Dual tone alert detector
- On and off-hook operation
- Meets Belcore, British Telecom and ETSI 'CLI and CIDCW' specifications
- $\mu$ C interrupt/wake-up output to minimise system operating power

#### Applications

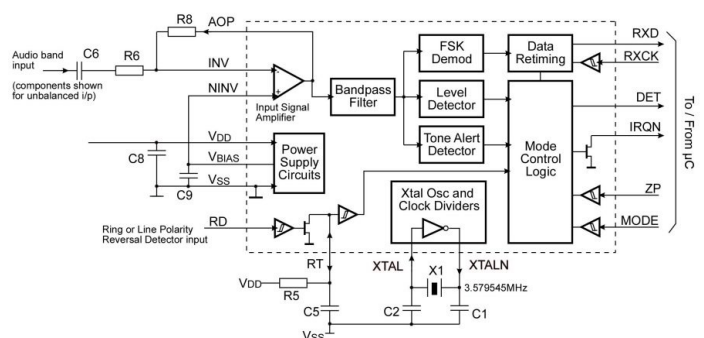
- Calling line ID and waiting systems
- Adjunct boxes
- Computer security systems
- Call monitoring
- Computer billing systems
- Telephone based utility metering
- No-ring calling

#### Supply Requirement

- 2.7 to 5.5V

The device includes a 'zero-power' ring or line polarity reversal detector, a dual-tone (2130Hz plus 2750Hz) Tone Alert Signal detector and a 1200-baud FSK V23/Bell 202 compatible asynchronous data demodulator with a data retiming circuit, removing the need for a UART in the associated  $\mu$ Controller.

It is suitable for 'on hook' use in systems to BT specifications SIN227 and SIN 242, Bellcore GR-30-CORE and SR-TSV-002476, CCA TW/P7 and E/312, ETSI 200-659 (parts 1 and 2), ETSI 300 778 (parts 1 and 2) and Mercury Communications MNR 19.



CMX602B Block Diagram



Click here to view the online

**PRODUCT  
DATA RESOURCE**

## WHAT TO DO NEXT

Visit: [www.cmlmicro.com](http://www.cmlmicro.com)

Find: [Distributor](#)

## CML Microcircuits Benefits

### Faster time to market

Developing proven high performance and field tested ASSP ICs, CML is helping engineers to cope with increasing pressure in delivering shorter project design cycles.

### Design flexibility

CML's *FirmASIC*<sup>®</sup> reconfigurable technology with the use of a Function Image upload enables a single hardware platform to be used for multiple communications systems.

### High Quality

With 100% of products being tested before shipping, customers are assured of the highest reliability.

### Product Longevity

Designing with CML products, manufacturers are rewarded with longer product life cycles and a stable BOM, ensuring minimum engineering costs and maximum profit.

### Low Power

Being at the forefront of low power chip technology, manufacturers can develop smaller equipment with extended battery life.

### Superior Support

Internal and field based applications teams worldwide provide focused customer support to ease the development process.

[www.cmlmicro.com](http://www.cmlmicro.com)

United Kingdom  
United States  
Singapore

Tel: +44 (0) 1621 875500  
Tel: +1 336 744 5050  
Tel: +65 62888129

email: [sales@cmlmicro.com](mailto:sales@cmlmicro.com)  
email: [us.sales@cmlmicro.com](mailto:us.sales@cmlmicro.com)  
email: [sg.sales@cmlmicro.com](mailto:sg.sales@cmlmicro.com)