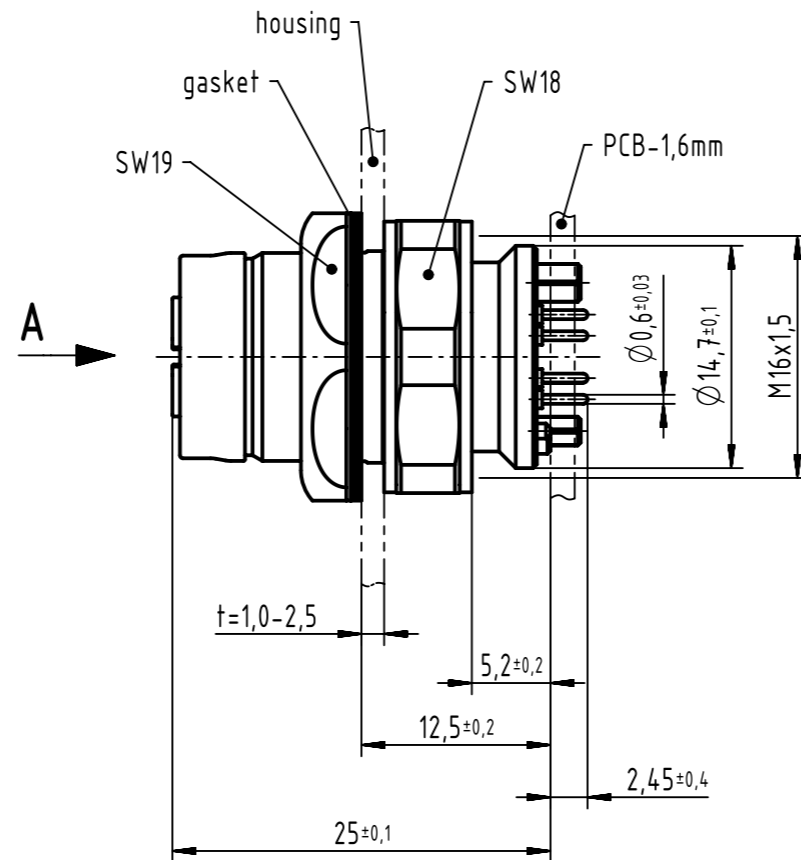
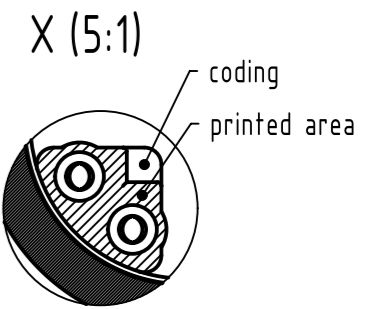
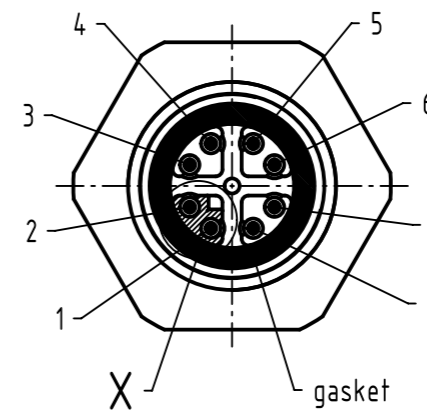


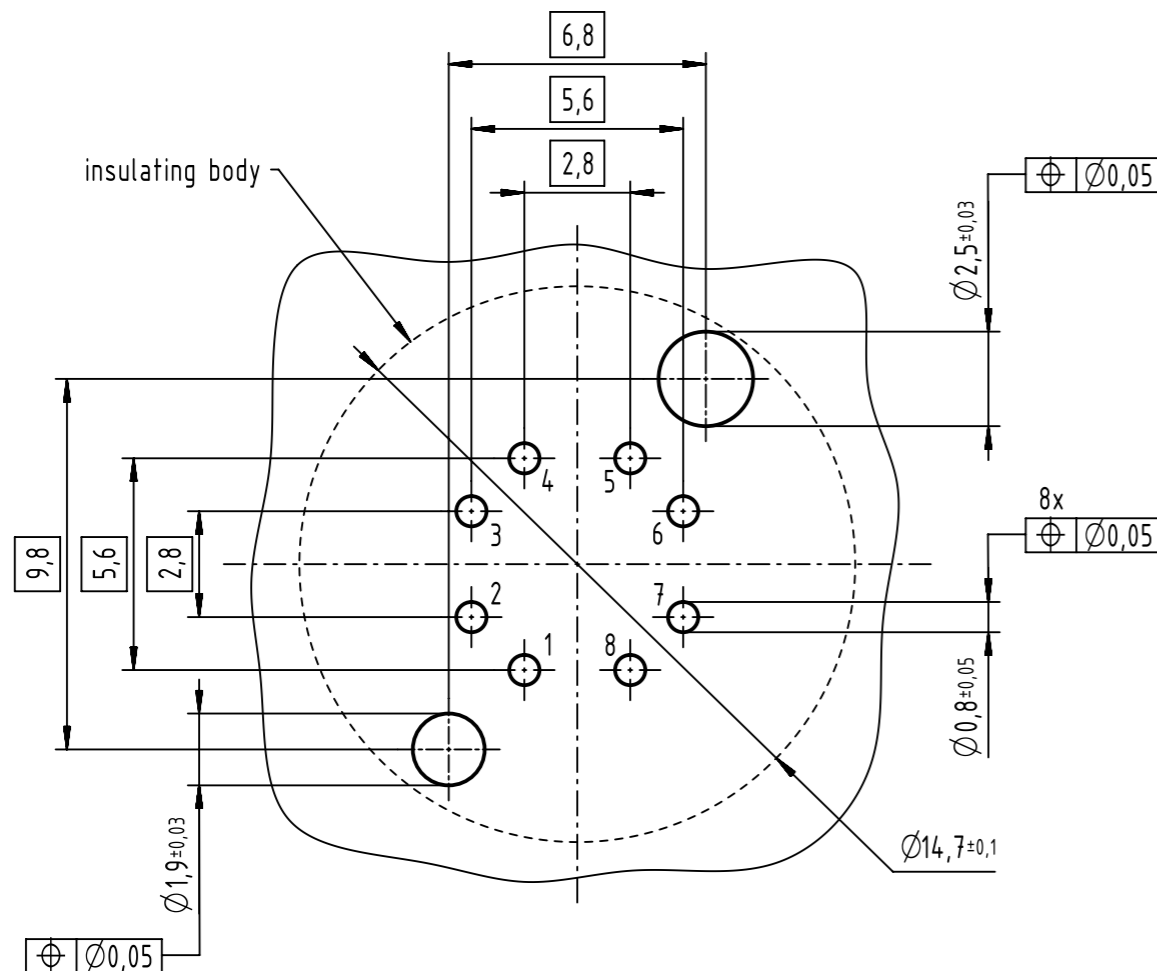
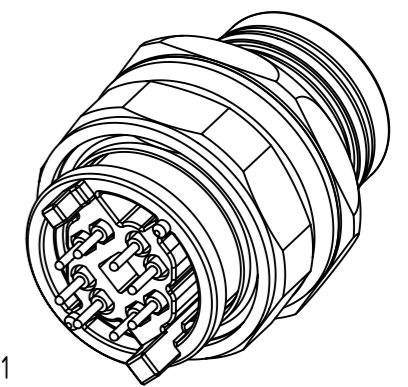
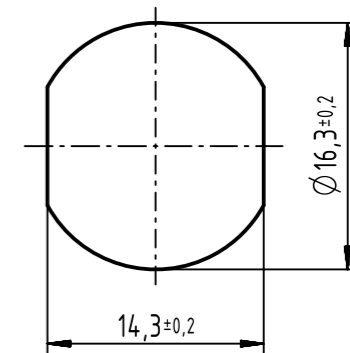
**A (5:1)**  
recommended PCB-layout



contact face based on  
IEC 61076-2-109



panel cut out



pin assignment		
pin	Signal	pair
1	TD1+	2
2	RD1-	2
3	TD2+	3
4	RD2-	3
5	TD4+	4
6	RD4-	4
7	RD3-	1
8	TD3+	1

- 500 mating cycles acc. to IEC 60512-9-1
- design for reflow soldering
- 60 pcs. tray package
- packed with pick&place-cap



All Dimensions in mm  
Original Size DIN A3

Scale  
2:1

Free size tol.

Ref.

Sub.



All rights reserved

Department EL PD

Created by  
DYCKC

Inspected by  
104122

Standardisation  
KOHLE

Date  
2020-06-02

State  
Final Release

Title  
har-speed M12 PCB Cat5 receptacle straight front

Doc-Key / ECM-Nr.  
100230900/UGD/000/H  
500000171486

HARTING Electronics GmbH

D-32339 Espelkamp

Type  
TB

Number  
21033812803

Rev.  
H

Page  
1/1