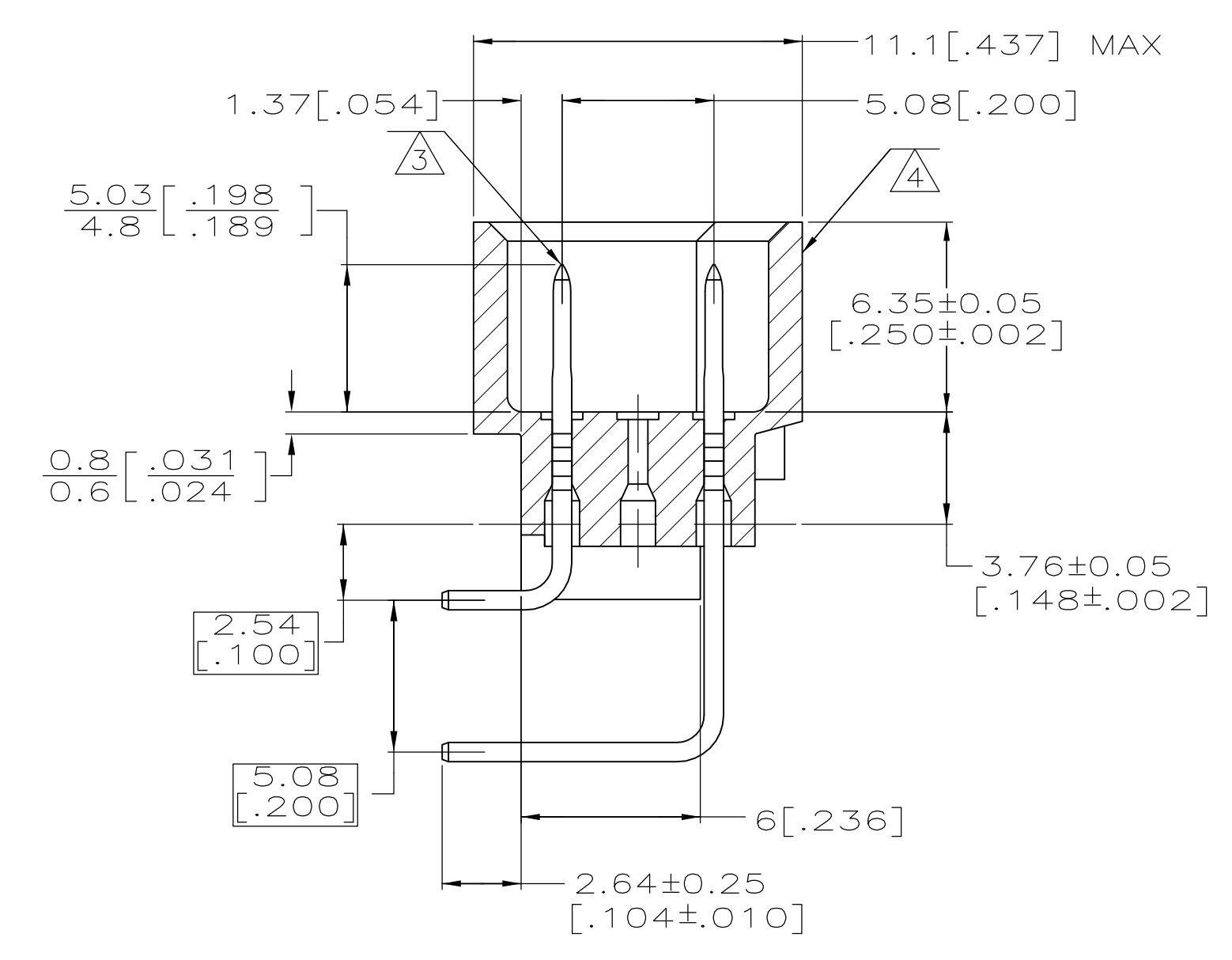
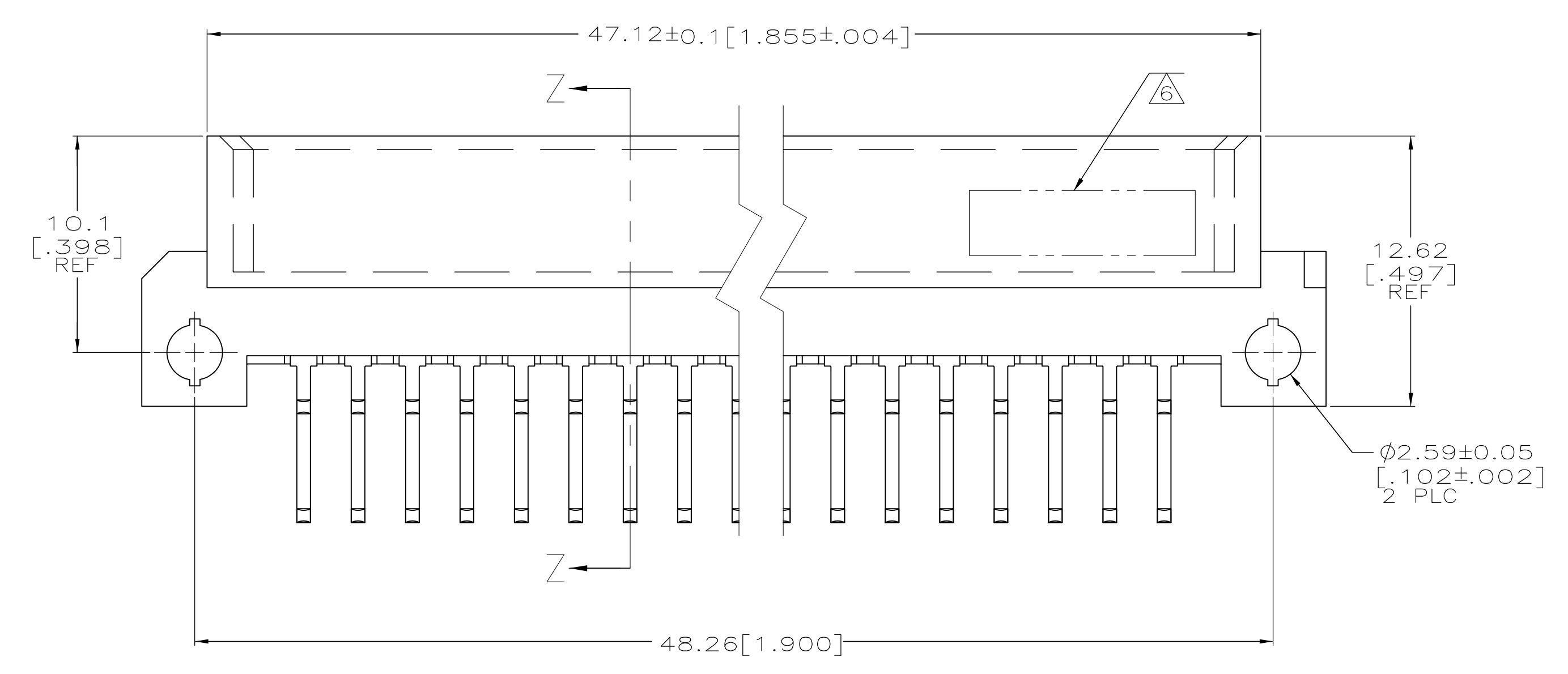
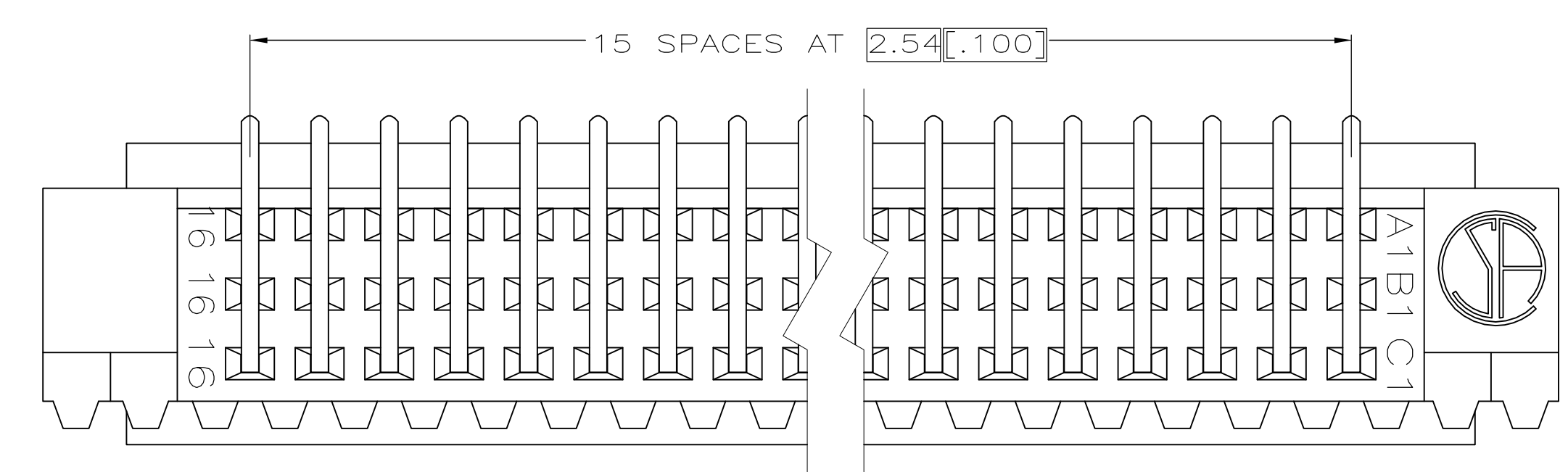


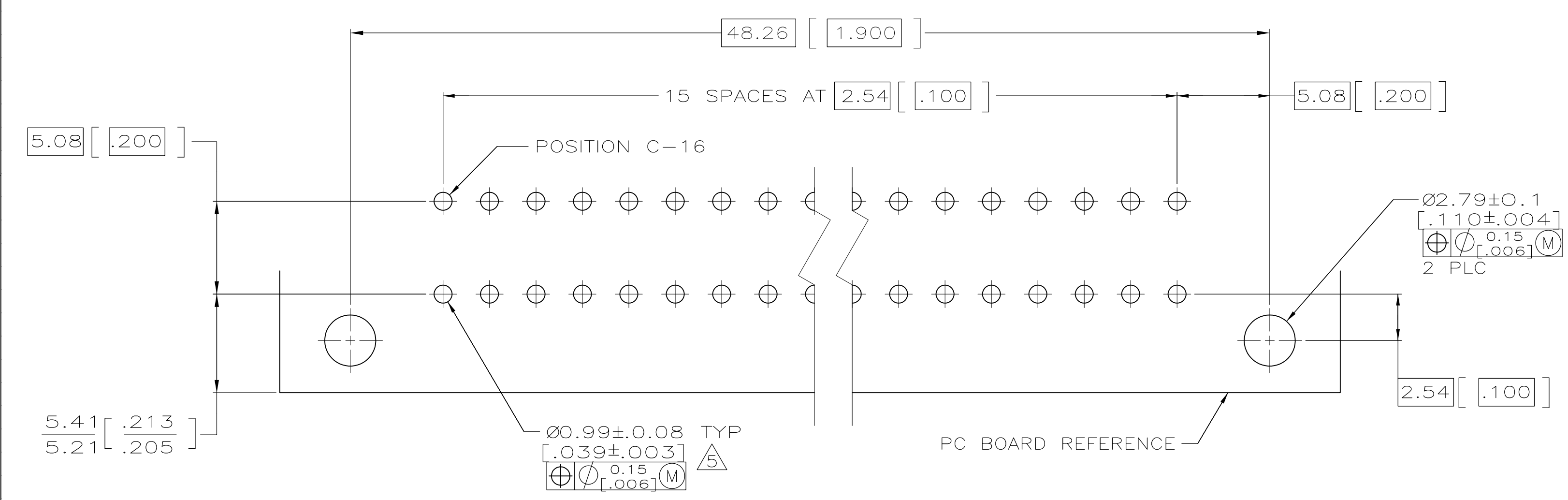
- 1 HOUSING MATERIAL: GLASS-FILLED POLYMER.
- 2 POST MATERIAL: COPPER ALLOY.
- 3 POST FINISH: DIN 41612 CLASS 2 IN CONTACT AREA. TIN PLATE ON POSTS.
- 4 MARKING ON THIS SIDE.
- 5 RECOMMENDED HOLE SIZE FOR MANUAL APPLICATION OF CONNECTOR ONTO PC BOARD.
- 6 PART NUMBER, DATE CODE MARKED THIS APPROXIMATE AREA.



SECTION Z-Z



REFERENCE FAMILY DRAWING 650473 FOR ALL TYPE C HEADER OFFERINGS



PC BOARD LAYOUT

1-16	X	-	X	32	5650946-5
POSITIONS LOADED	C	B	A	NO. OF LOADED POSITION	ASSY PART NUMBER

THIS DRAWING IS A CONTROLLED DOCUMENT.

DIMENSIONS: mm [INCHES]	TOLERANCES UNLESS OTHERWISE SPECIFIED:	DIN J. POLIGNONE CIRK A. SHARPE APVD A. SHARPE PRODUCT SPEC	OSMAYOS	NAME
0 PLC ± -	1 PLC ± -	APPLICATION SPEC	OSMAYOS	ASSEMBLY, PIN, EUROCARD, TYPE 1/2C, A and C, 32/48 POSITION, 2.64[.104] SOLDER POST, SELECT LOAD
2 PLC ± ± 0.13[.005]	3 PLC ± -	SIZE	CAGE CODE	DRAWING NO
4 PLC ± -	ANGLES ± -	WEIGHT	A1	00779
MATERIAL	FINISH	CUSTOMER DRAWING	SCALE	5:1
1/2	3		SHEET	1 OF 1
			REV	A

STE TE Connectivity